



US00D553719S

(12) **United States Design Patent**
Blateri

(10) **Patent No.:** **US D553,719 S**

(45) **Date of Patent:** **** Oct. 23, 2007**

(54) **HEATER FAN**

(75) Inventor: **Frank Blateri**, Coppell, TX (US)

(73) Assignee: **Diani, LLC**, Dallas, TX (US)

(**) Term: **14 Years**

(21) Appl. No.: **29/250,080**

(22) Filed: **Nov. 1, 2006**

Related U.S. Application Data

(62) Division of application No. 29/201,988, filed on Mar. 24, 2004, now Pat. No. Des. 538,417.

(51) **LOC (8) Cl.** **23-03**

(52) **U.S. Cl.** **D23/337**

(58) **Field of Classification Search** D23/332,
D23/314, 335-338, 340-345, 349-350; 392/360,
392/365-369, 373-376; 312/326; 126/110 B,
126/90 A, 92 A

See application file for complete search history.

(56) **References Cited**

U.S. PATENT DOCUMENTS

D384,734 S * 10/1997 Ellwood D23/337

D412,565 S * 8/1999 Lee D23/332

D424,681 S * 5/2000 Lozzio et al. D23/337

D459,454 S * 6/2002 Shapiro D23/337

D463,855 S * 10/2002 Sherman et al. D23/378

D502,769 S * 3/2005 Blateri D23/337

* cited by examiner

Primary Examiner—Brian N Vinson

(74) *Attorney, Agent, or Firm*—Haynes and Boone, LLP

(57) **CLAIM**

The ornamental design for the heater fan, as shown and described.

DESCRIPTION

FIG. 1 is an isometric view of the heater fan showing my new design;

FIG. 2 is a front elevational view of my new design;

FIG. 3 is a left side elevational view of my new design;

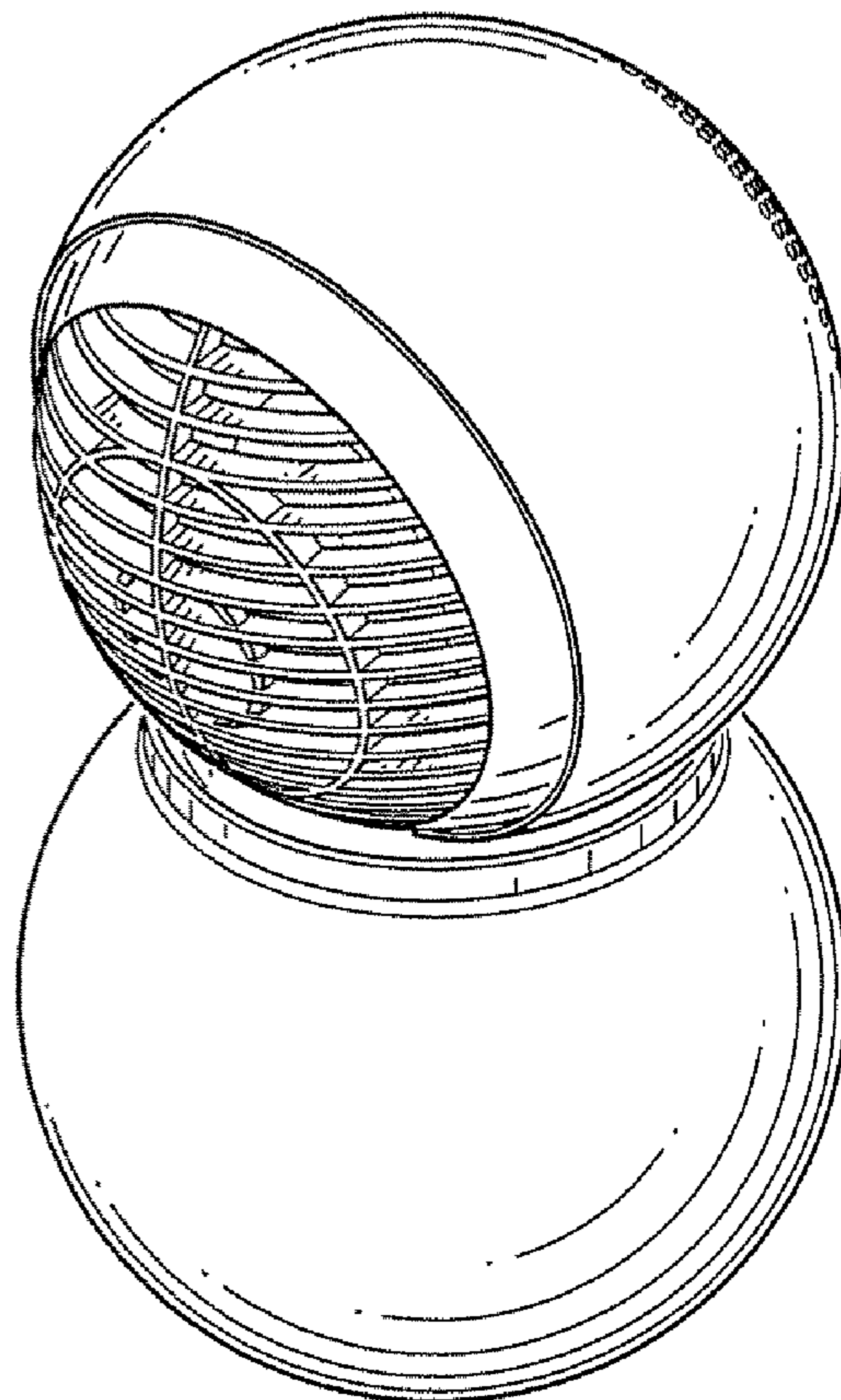
FIG. 4 is a right side elevational view of my new design;

FIG. 5 is a rear elevational view of my new design;

FIG. 6 is a top plan view of my new design; and,

FIG. 7 is a bottom plan view of my new design.

1 Claim, 2 Drawing Sheets



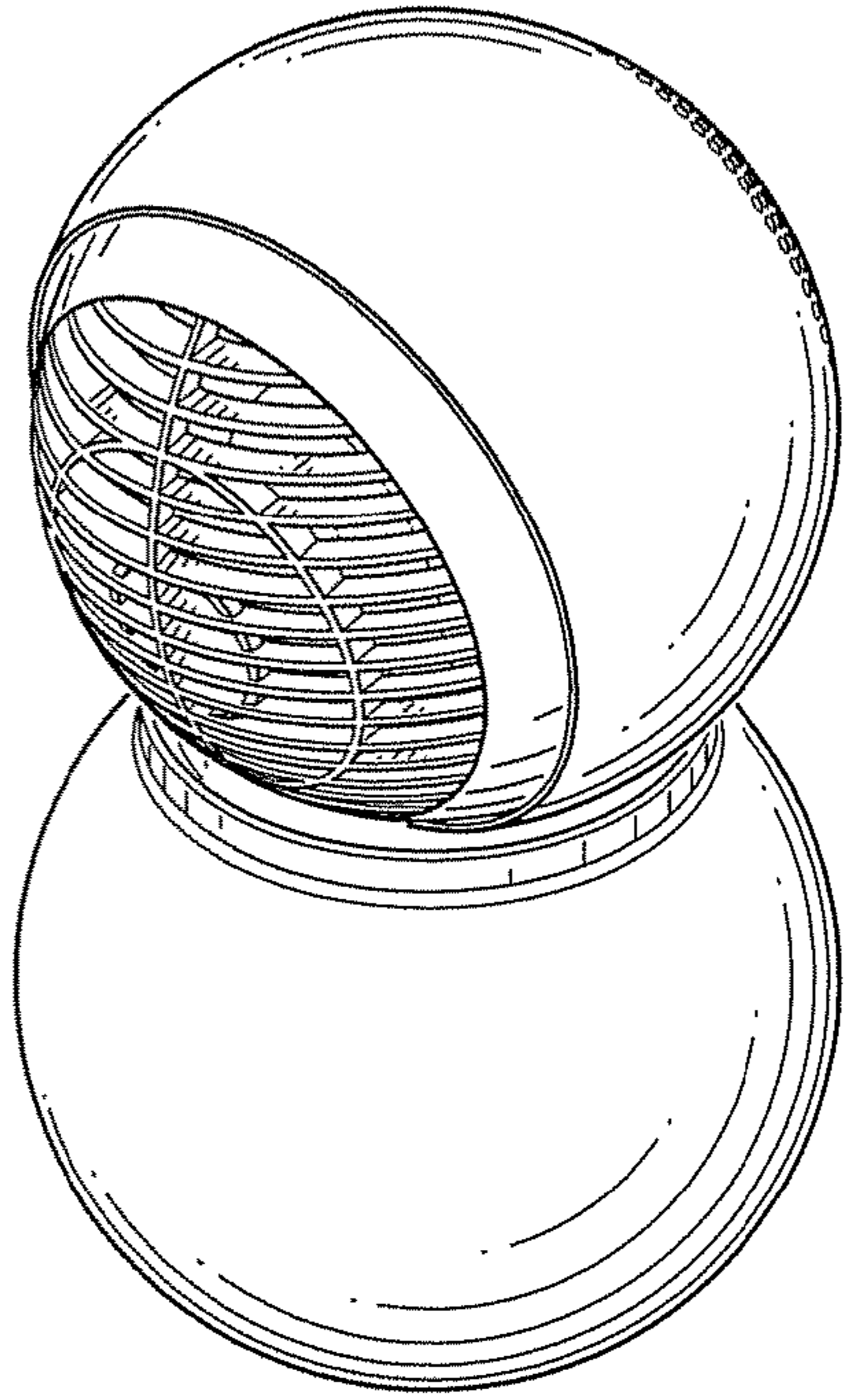


Fig. 1

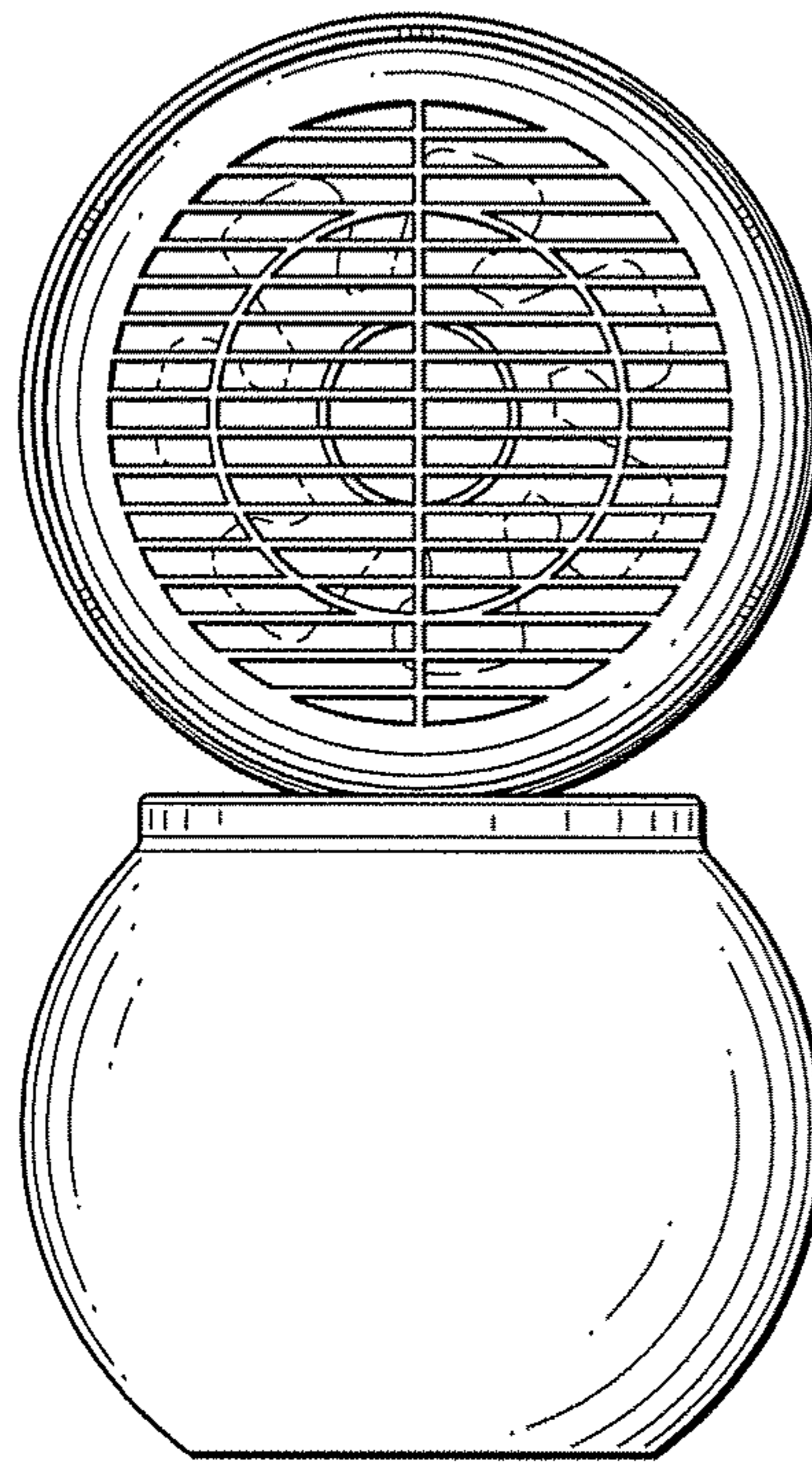


Fig. 2

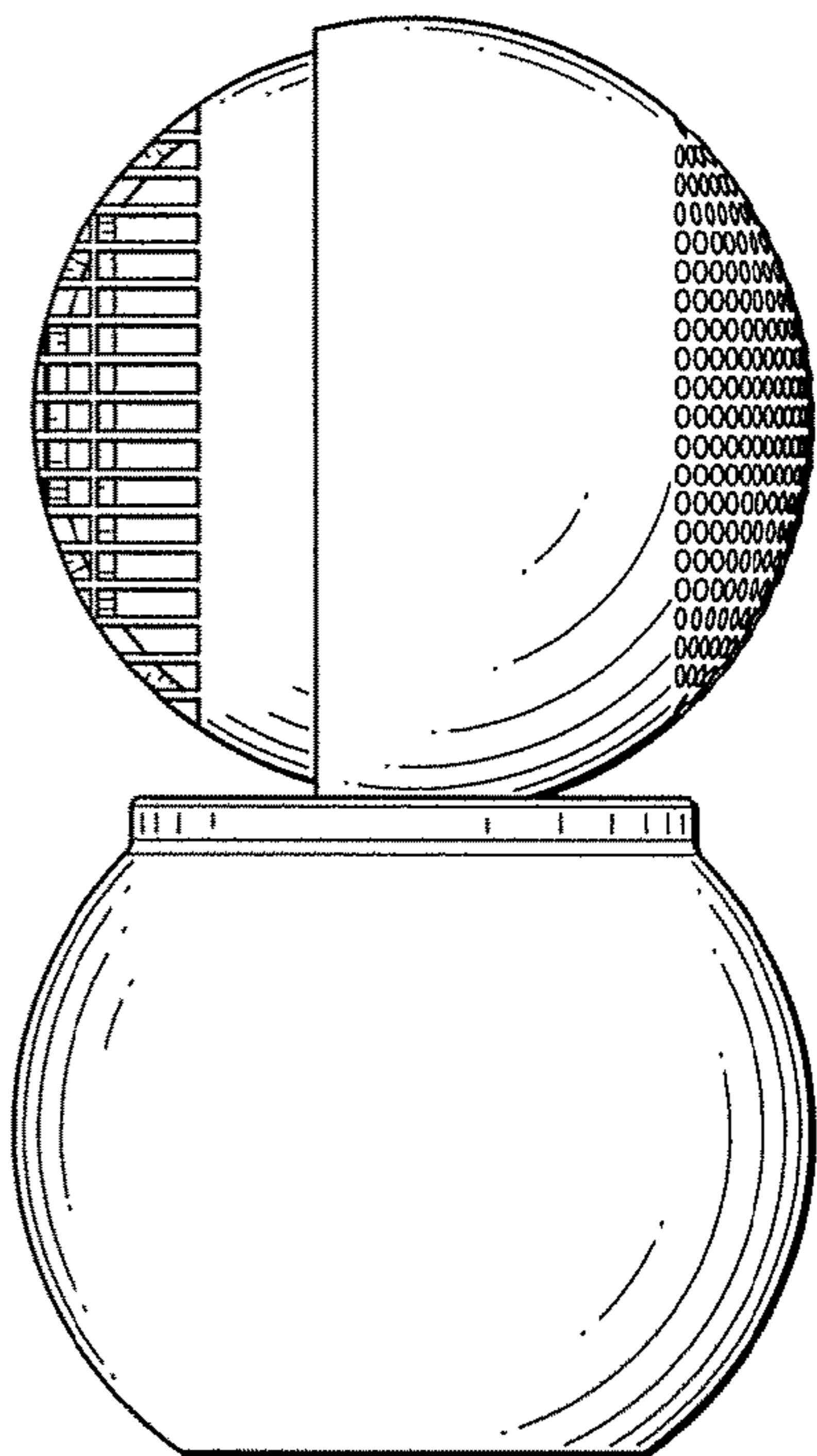


Fig. 3

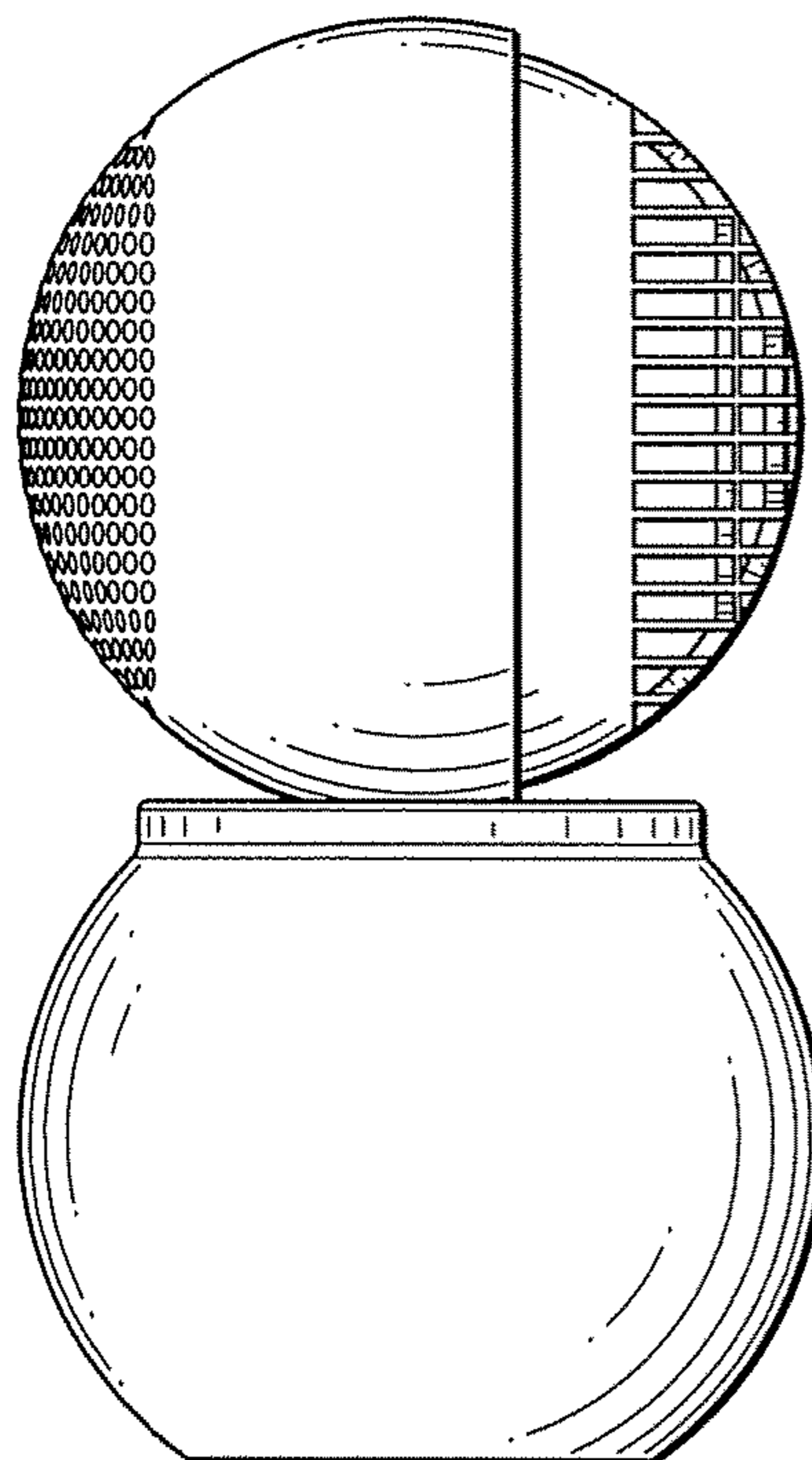


Fig. 4

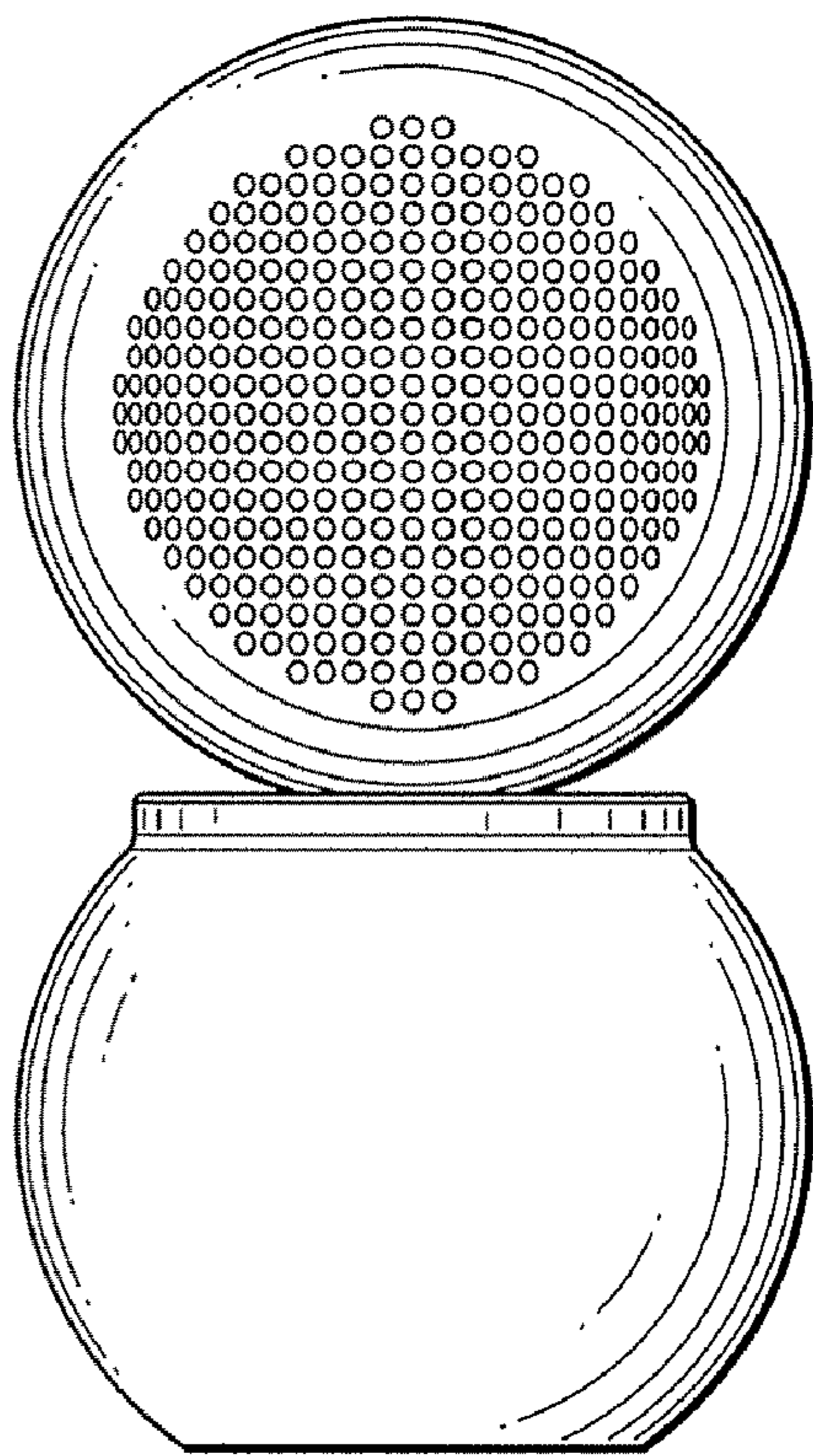


Fig. 5

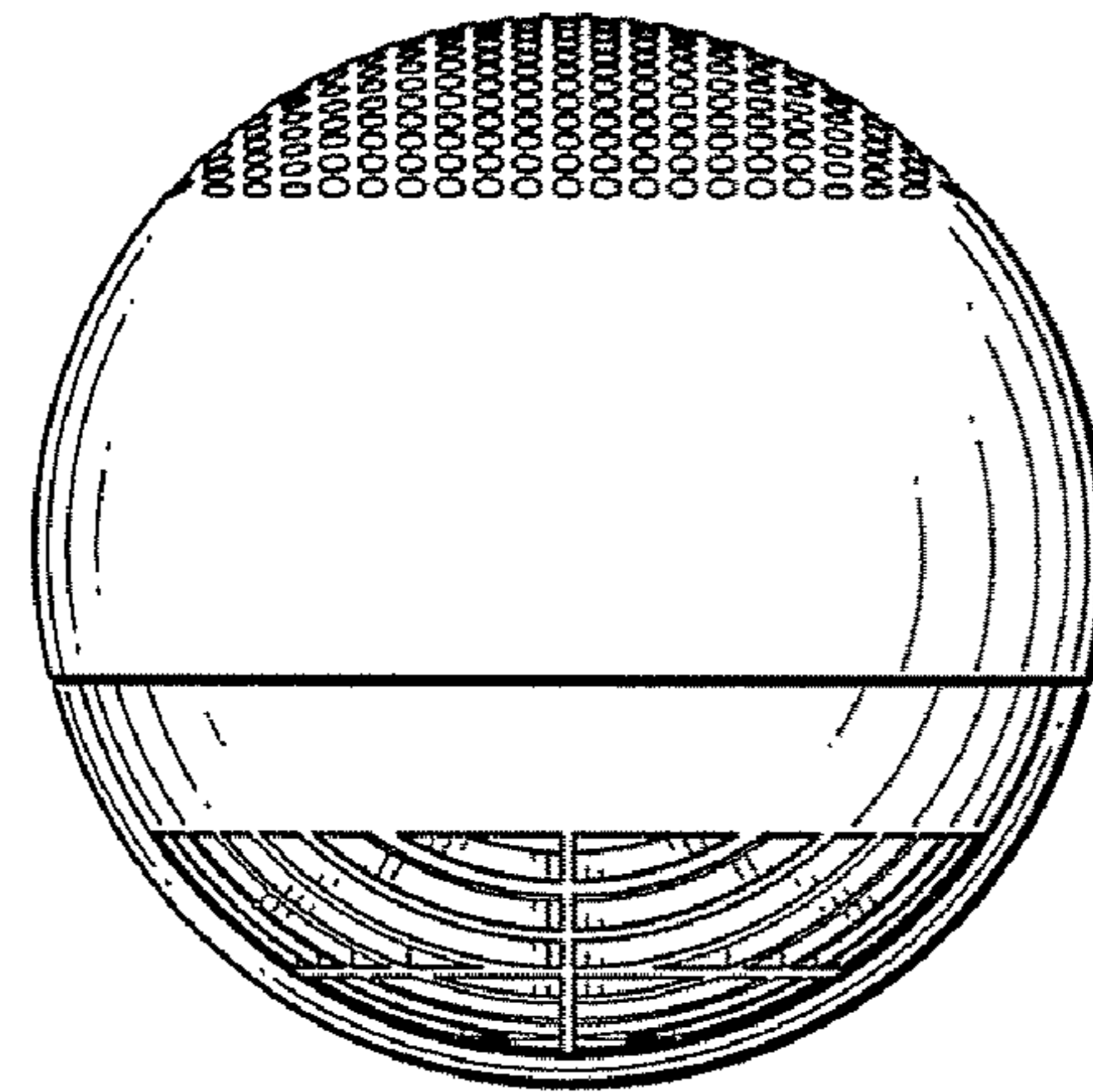


Fig. 6

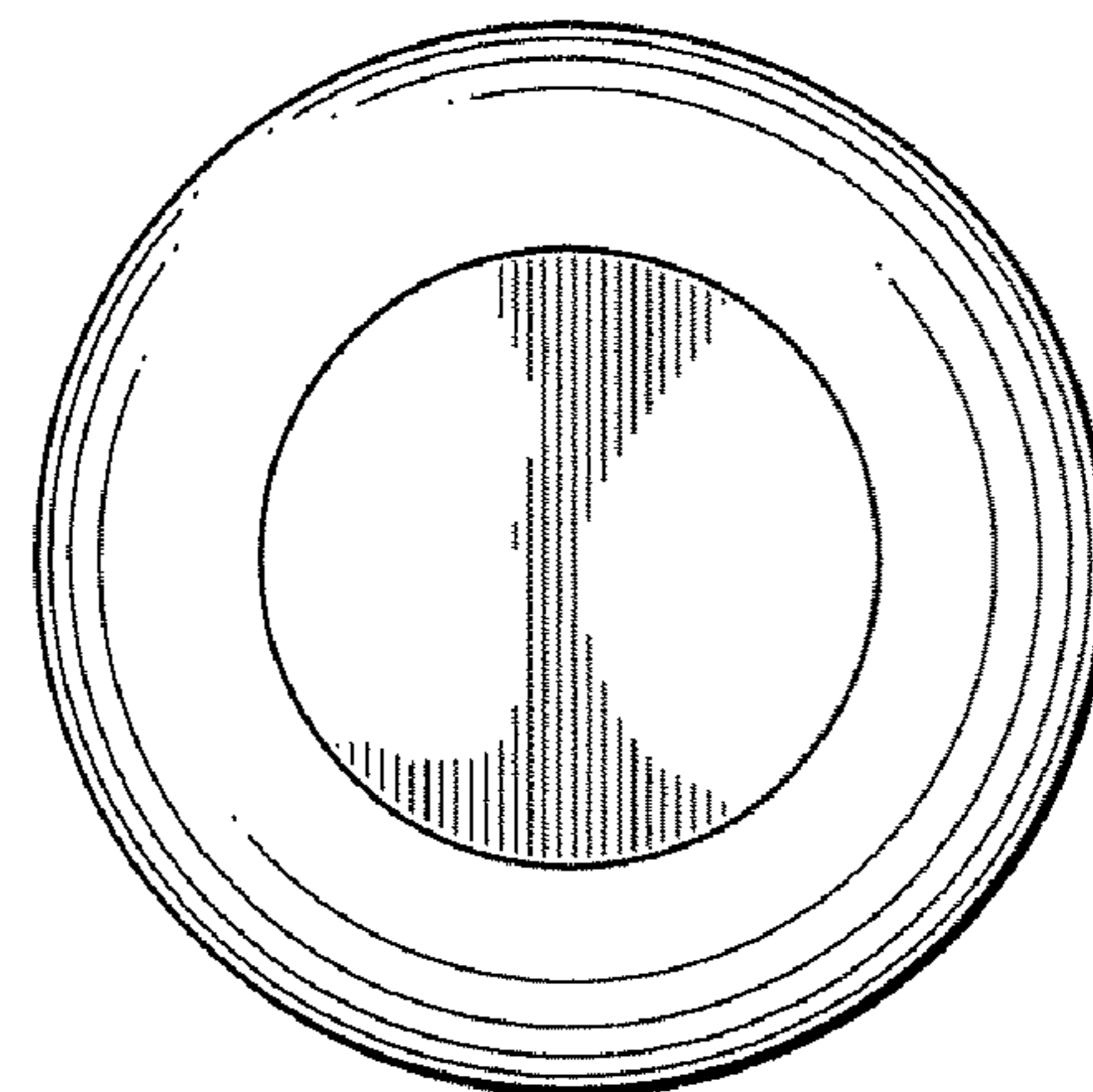


Fig. 7