



US00D553717S

(12) **United States Design Patent**
Nicholson

(10) **Patent No.:** **US D553,717 S**

(45) **Date of Patent:** **** Oct. 23, 2007**

(54) **VENTING PLUG**

(75) Inventor: **Jeff Nicholson**, Long Beach, CA (US)

(73) Assignee: **Cambro Manufacturing Company**,
Huntington Beach, CA (US)

(**) Term: **14 Years**

(21) Appl. No.: **29/265,141**

(22) Filed: **Aug. 25, 2006**

(51) **LOC (8) Cl.** **23-01**

(52) **U.S. Cl.** **D23/260**

(58) **Field of Classification Search** D23/260,
D23/259; 138/89, 89.3, 92, 96 R, 96 T
See application file for complete search history.

(56) **References Cited**

U.S. PATENT DOCUMENTS

5,499,737	A *	3/1996	Kraus	220/787
D421,791	S *	3/2000	Ohtani et al.	D23/260
D421,792	S *	3/2000	Bevacco	D23/260
6,508,274	B2 *	1/2003	Street	138/89
D476,723	S *	7/2003	Houghton	D23/260
6,959,733	B2 *	11/2005	Sbongk	138/89
2004/0084099	A1 *	5/2004	Miura	138/89
2005/0109412	A1 *	5/2005	Jorgenson	138/89

* cited by examiner

Primary Examiner—Louis S. Zarfes

Assistant Examiner—Eric L. Goodman

(74) *Attorney, Agent, or Firm*—George F. Bethel

(57) **CLAIM**

I claim the ornamental design for a venting plug, as shown and described.

DESCRIPTION

FIG. 1 shows a perspective view of the venting plug.

FIG. 2 shows a frontal elevation view of the venting plug.

FIG. 3 shows a top plan view of the venting plug.

FIG. 4 shows a side elevation view taken from the right side of FIG. 2.

FIG. 5 shows a side elevation view taken from the left side of FIG. 2.

FIG. 6 shows a rear elevation view of the venting plug.

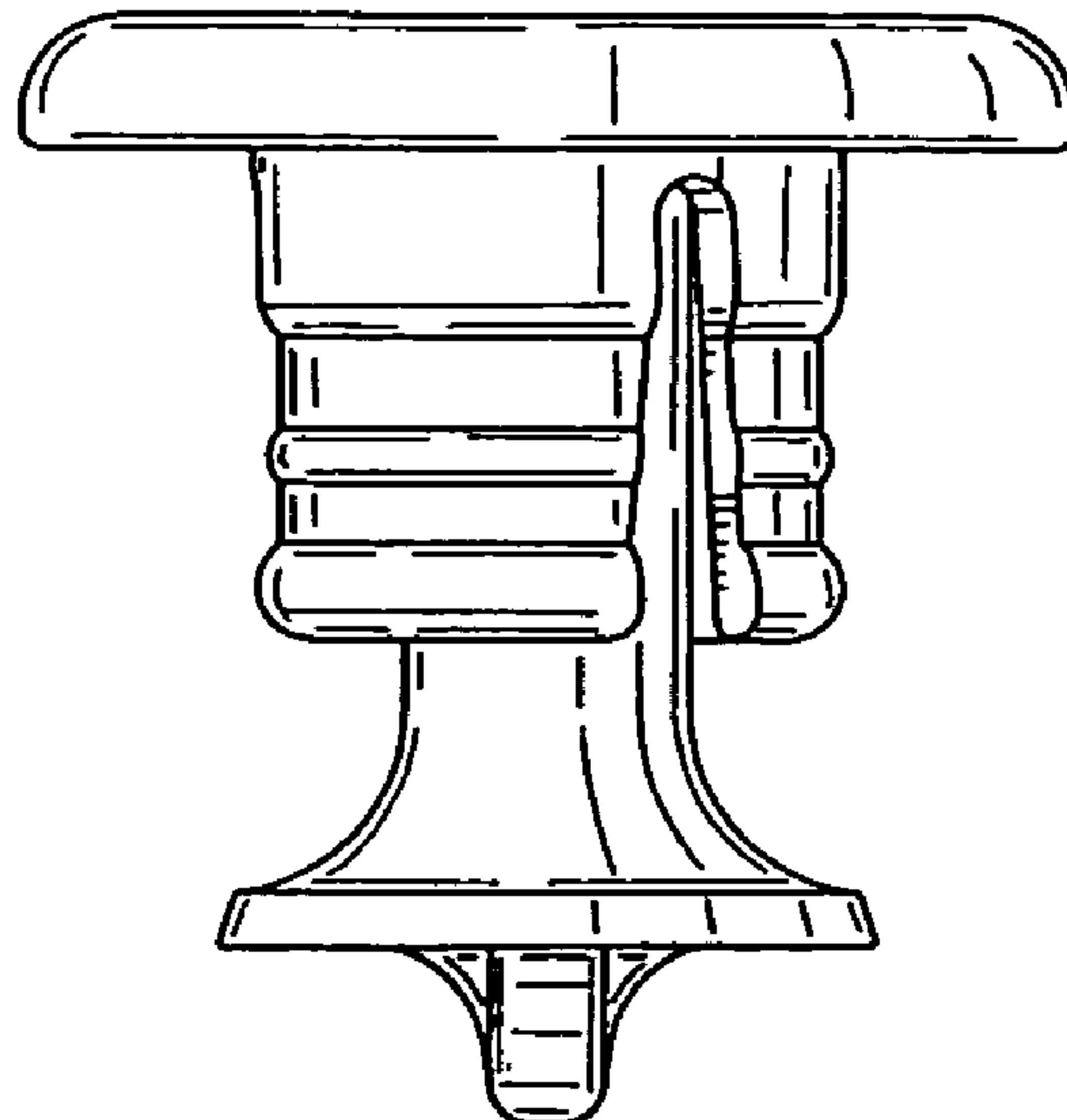
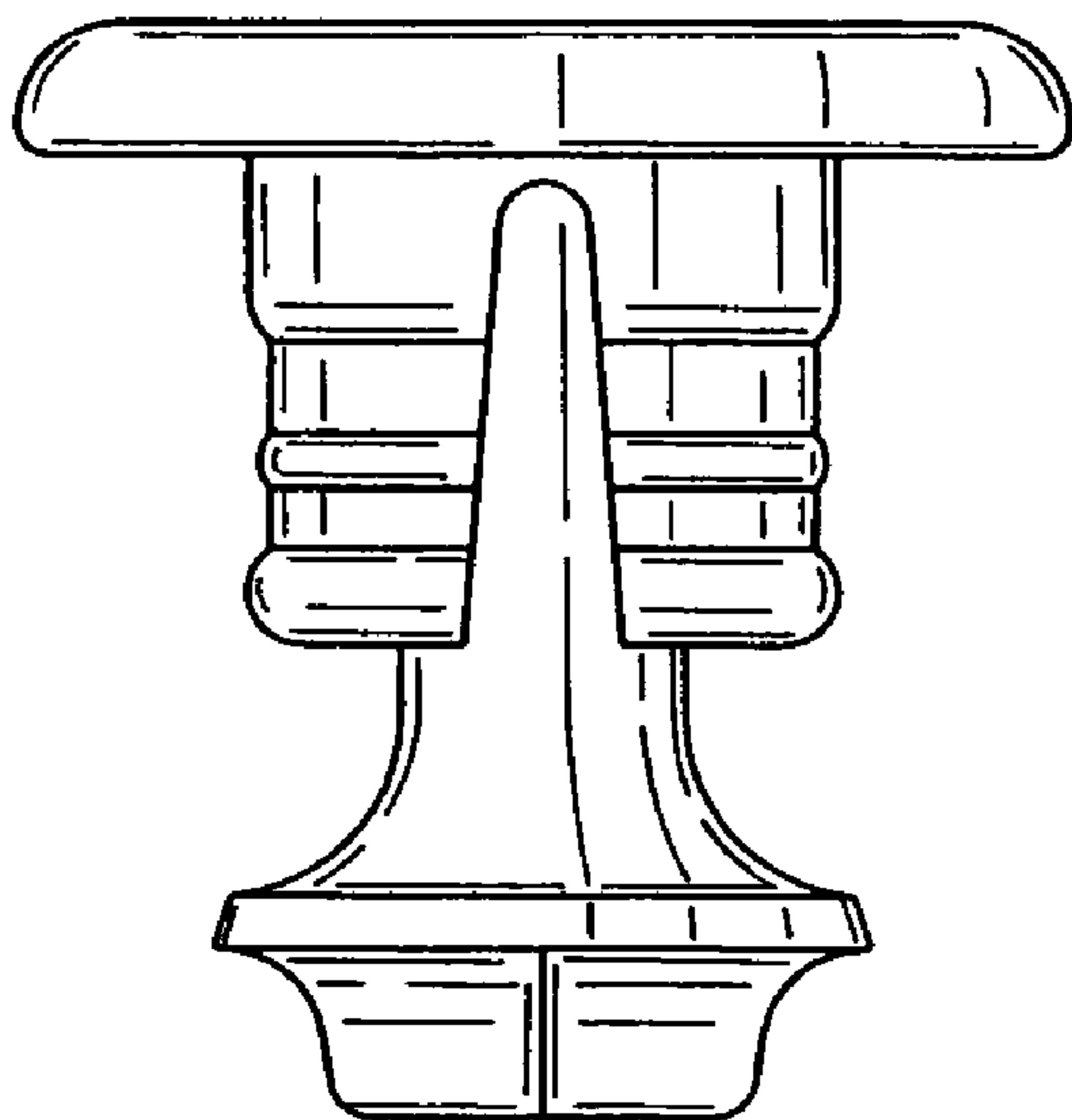
FIG. 7 shows a bottom plan view of the venting plug.

FIG. 8 shows the venting plug inserted into a surrounding opening; and,

FIG. 9 shows a second view of the venting plug partially removed from its surrounding environment.

The broken line showing of the venting plug is included for the purpose of illustrating environmental structure and forms no part of the claimed design.

1 Claim, 3 Drawing Sheets



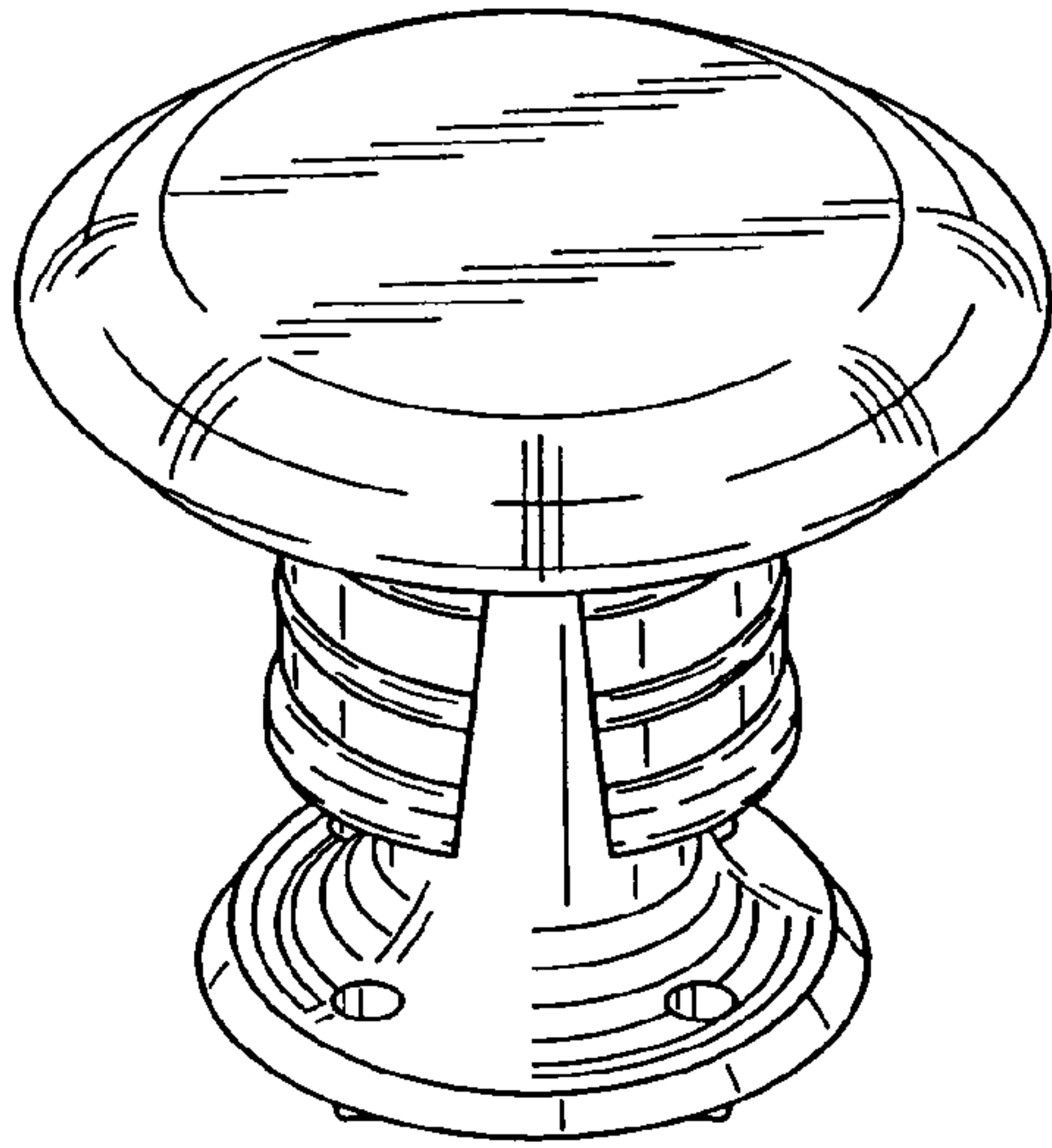


FIG. 1

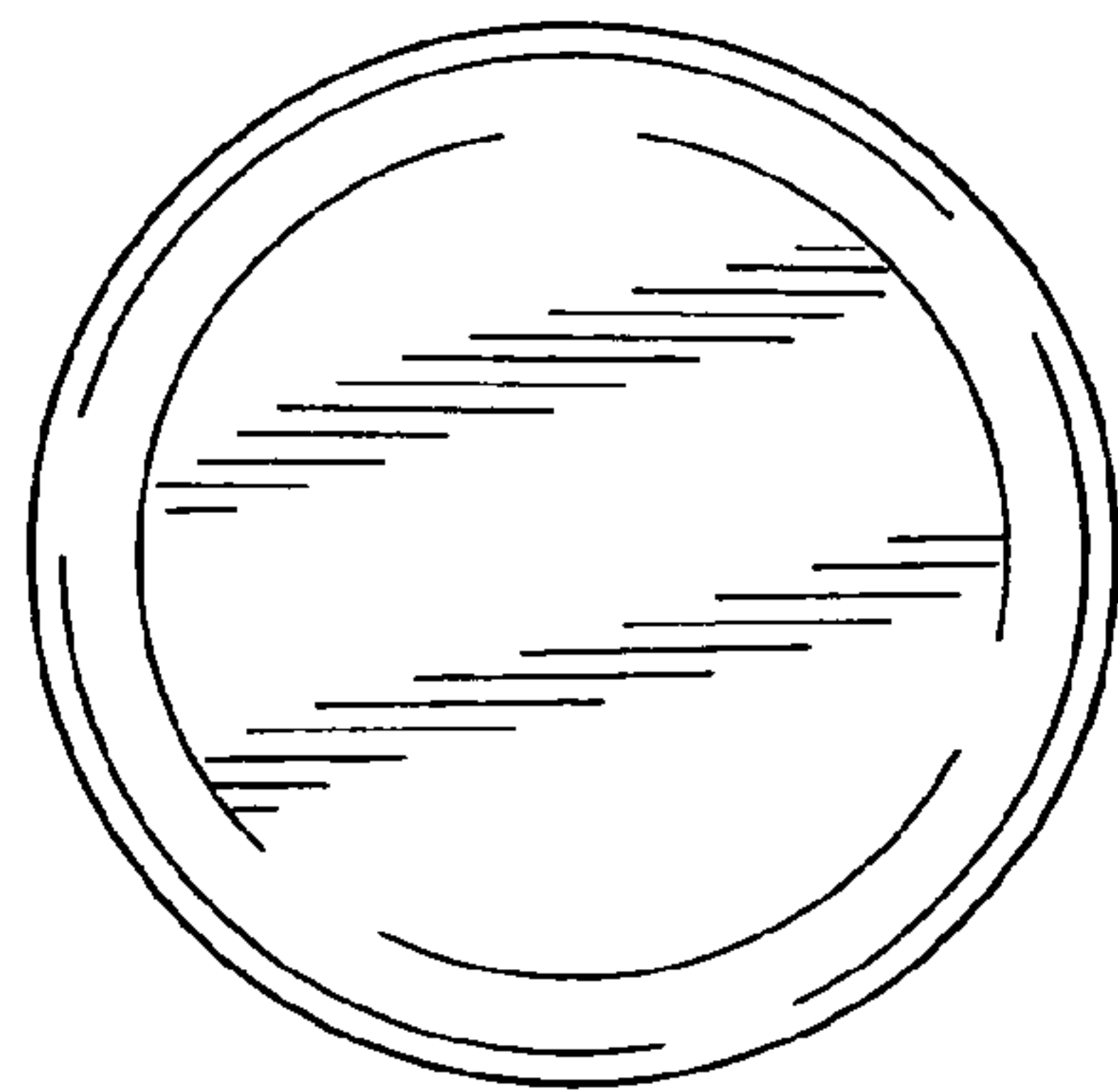


FIG. 3

FIG. 2

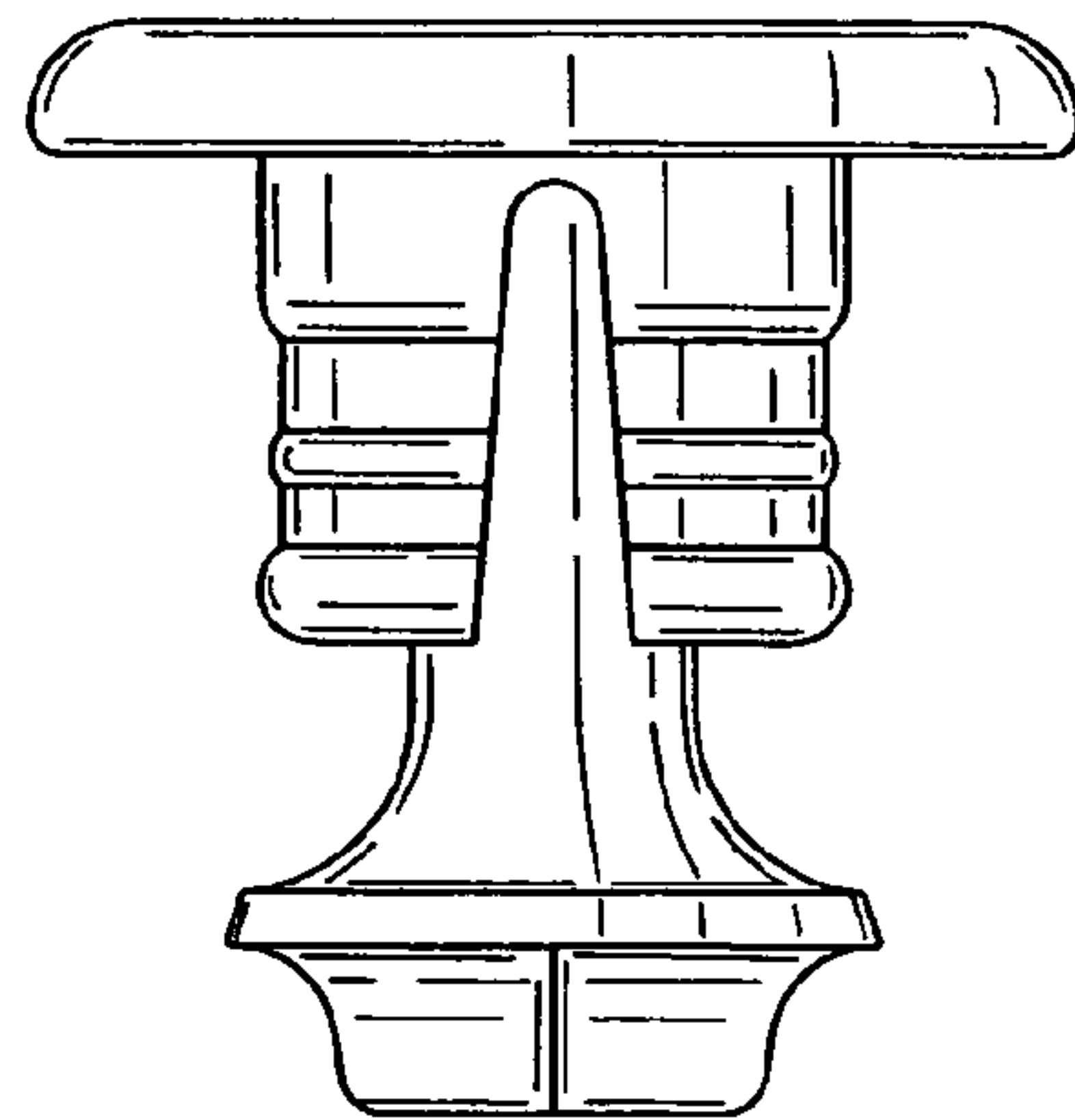
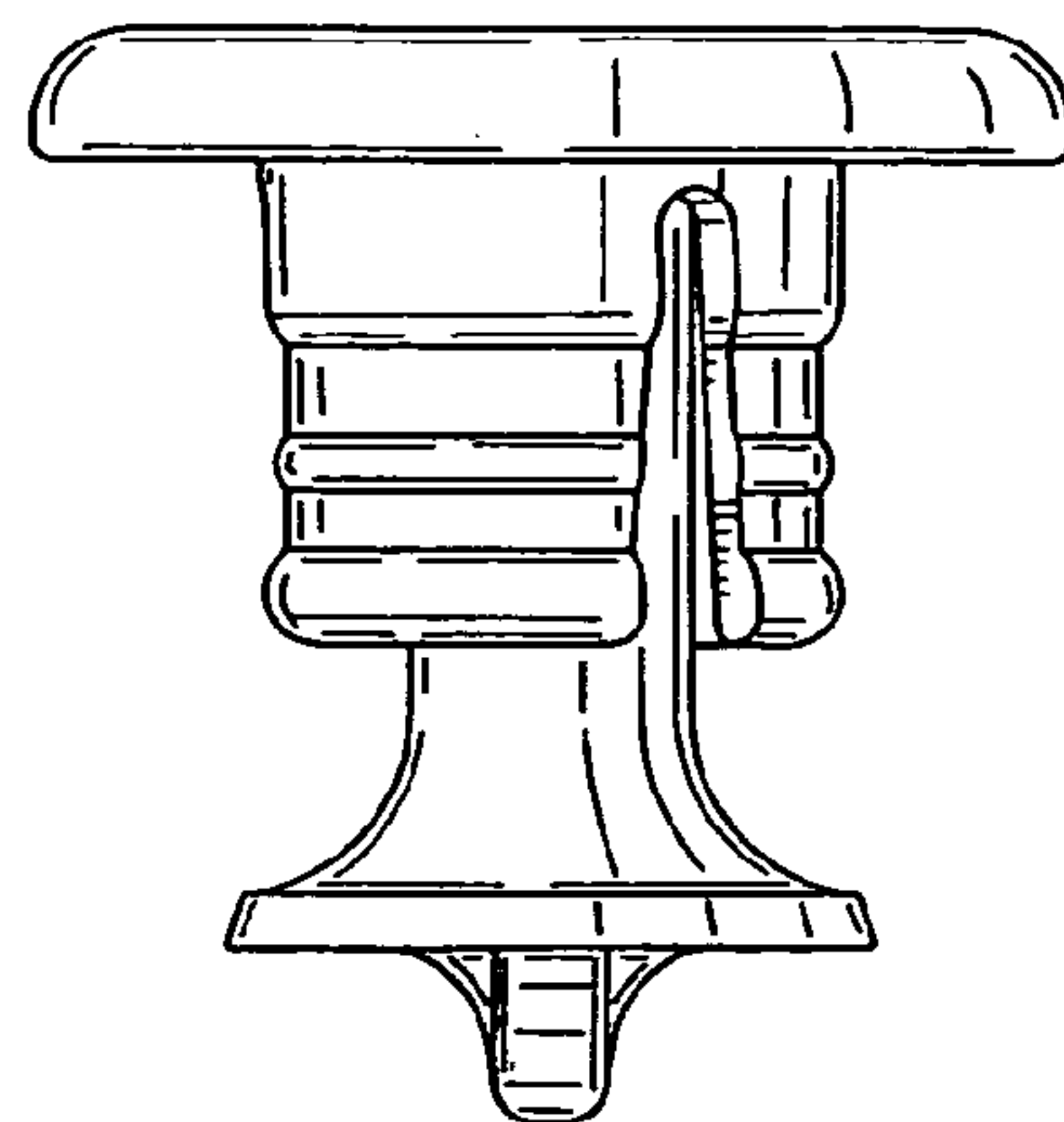


FIG. 4



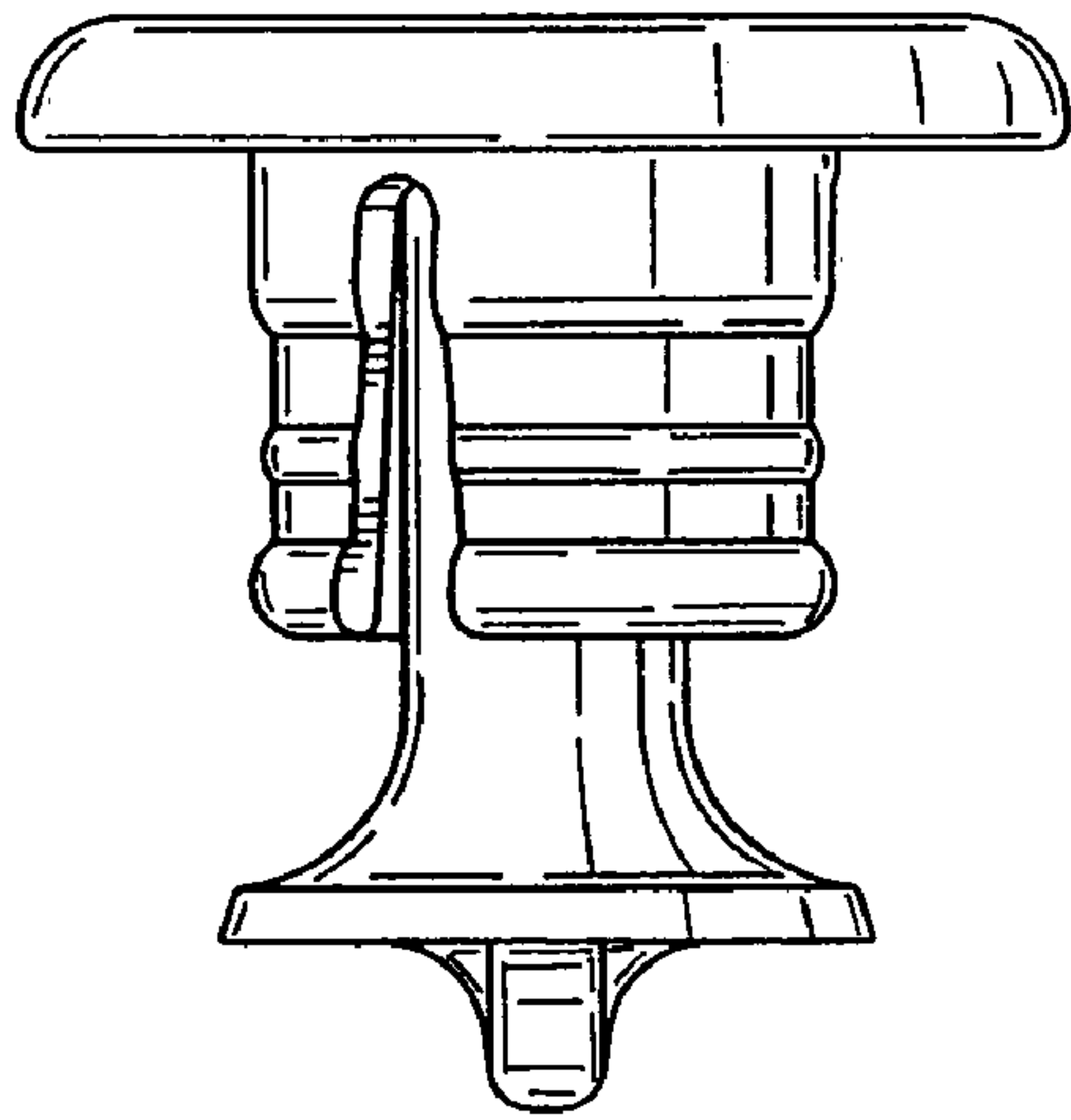


FIG. 5

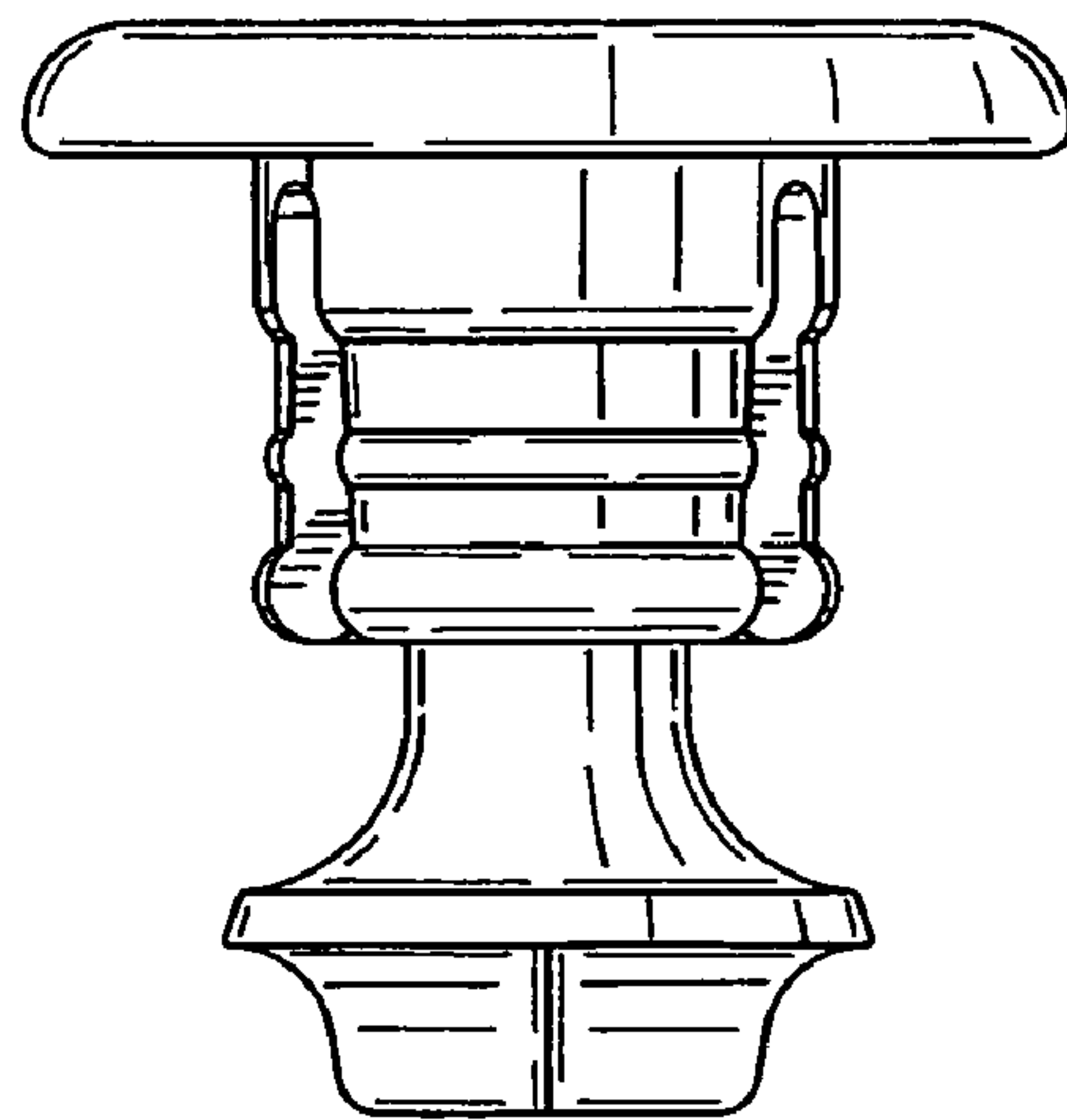


FIG. 6

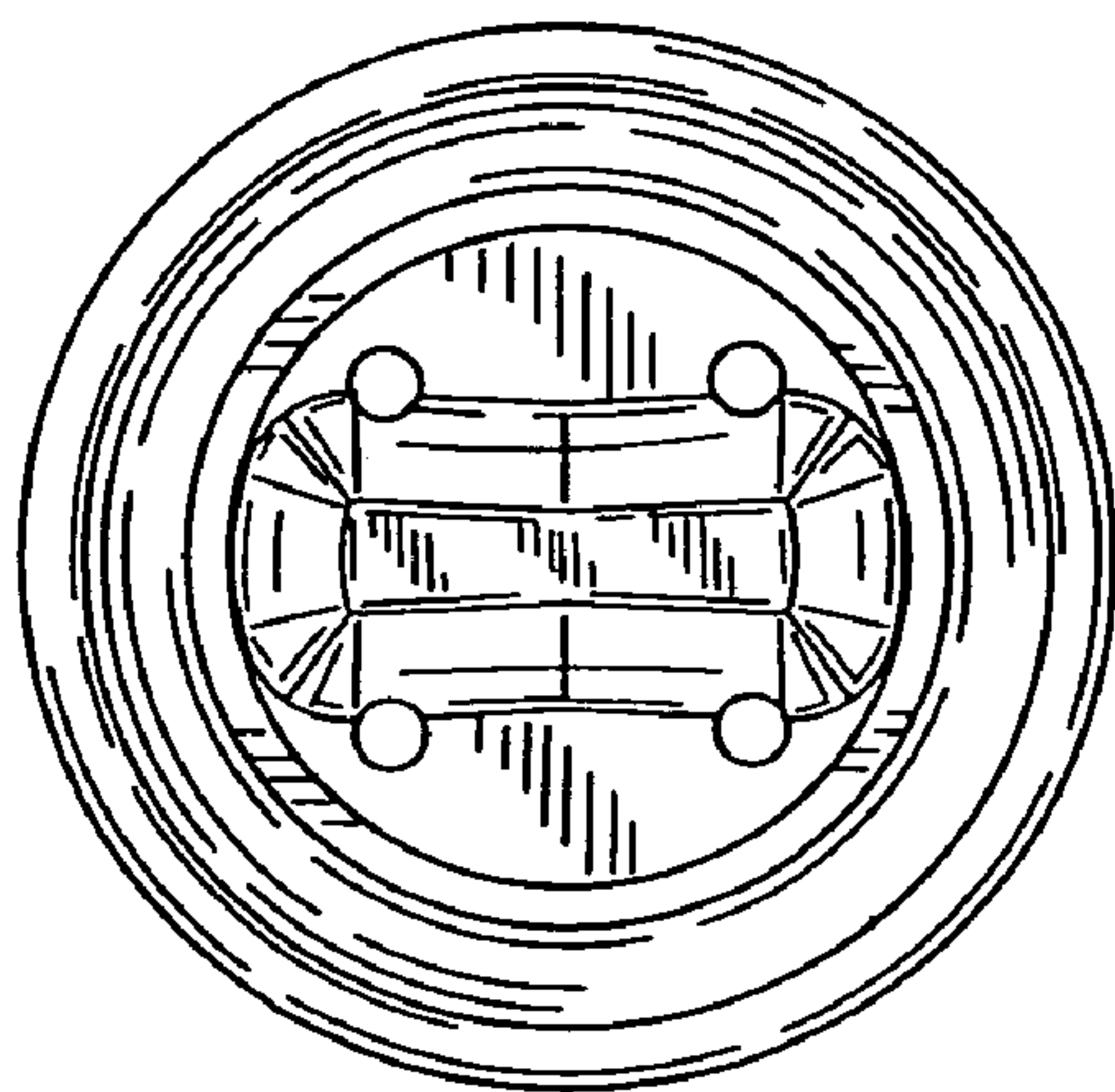


FIG. 7

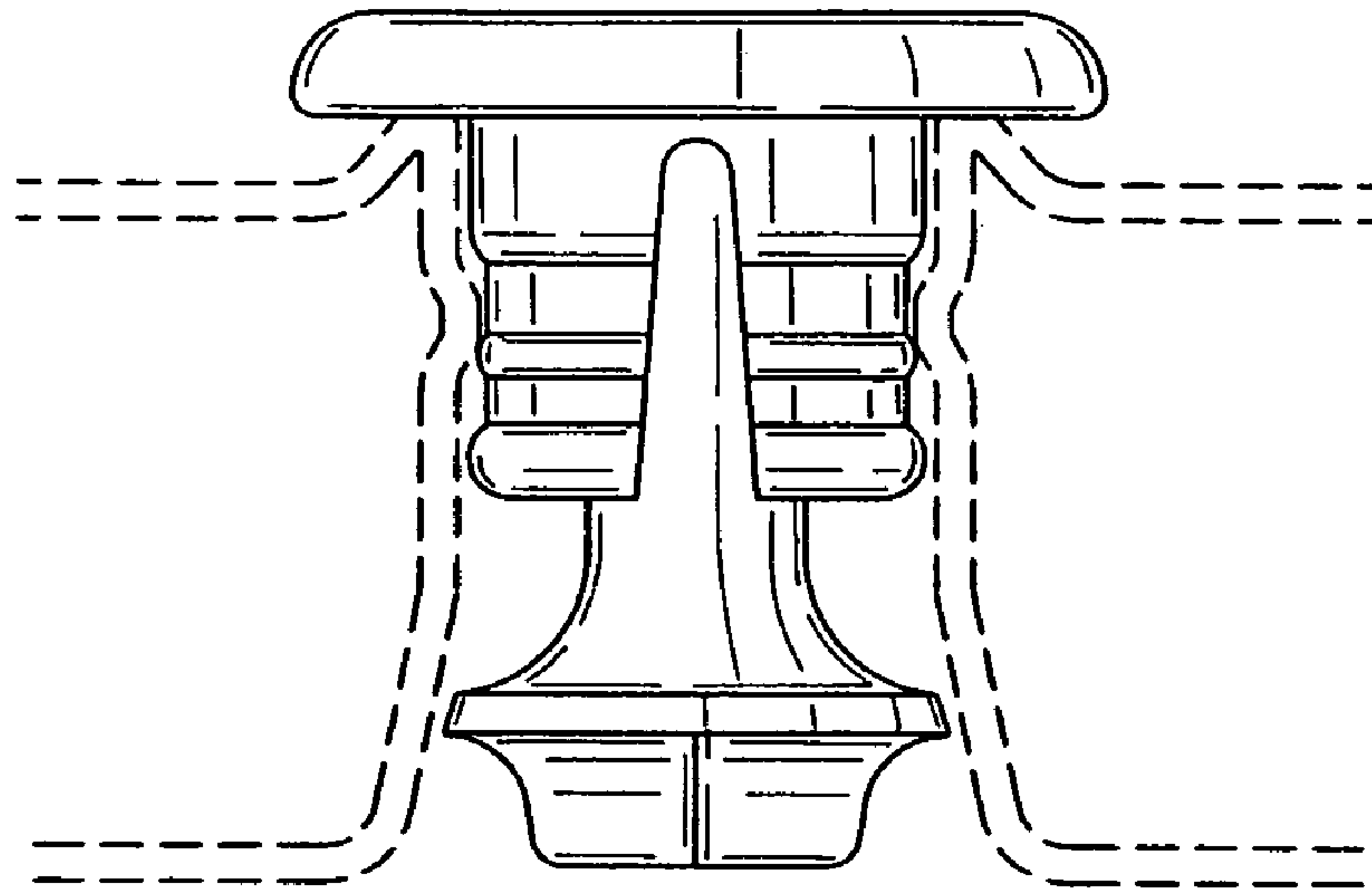


FIG. 8

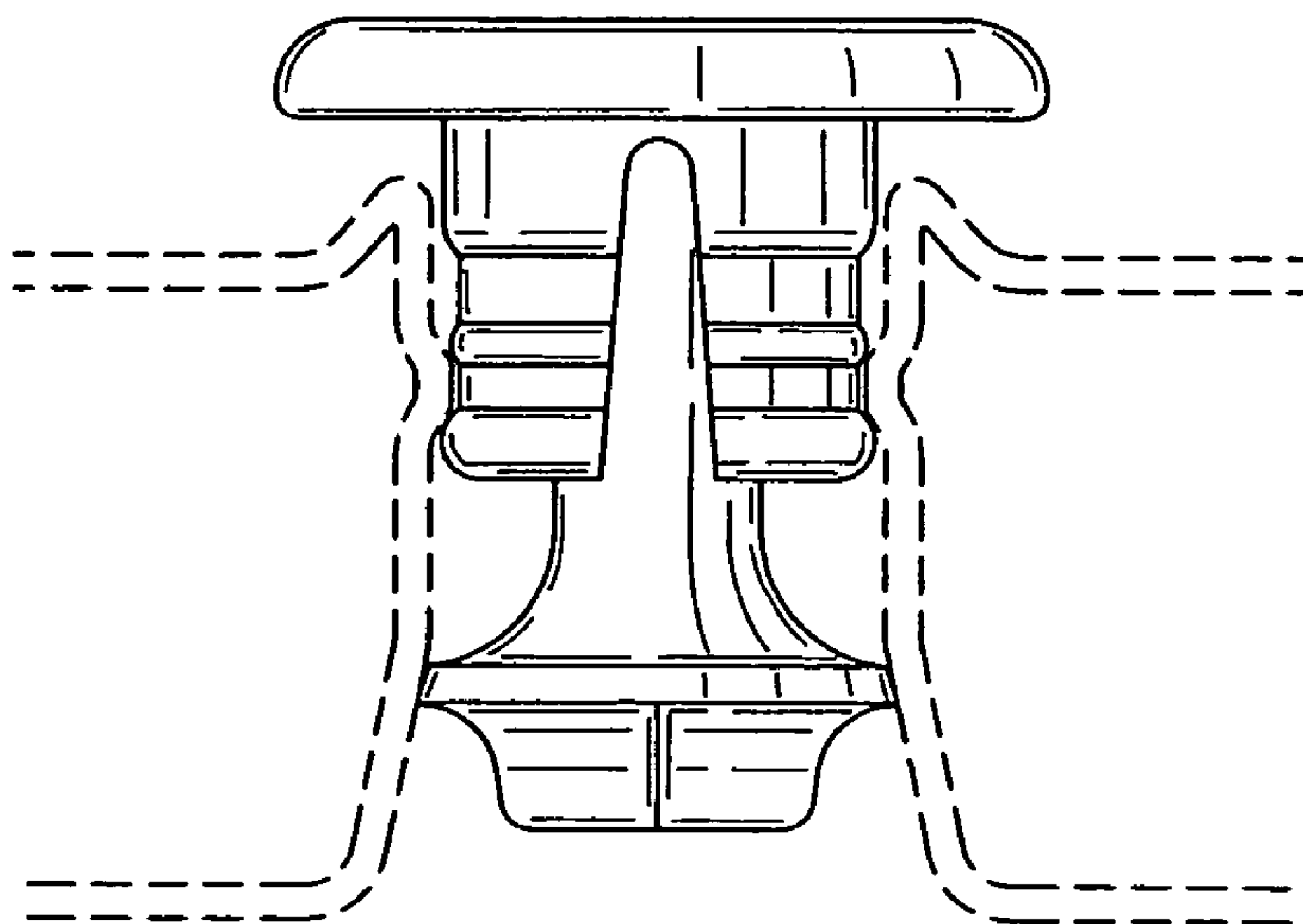


FIG. 9