



US00D553716S

(12) **United States Design Patent**  
**Lockard**

(10) **Patent No.:** **US D553,716 S**

(45) **Date of Patent:** **\*\* Oct. 23, 2007**

(54) **CASING INSULATOR**

(75) Inventor: **Steve Lockard**, Fort Worth, TX (US)

(73) Assignee: **S & B Technical Products, Inc.**, Fort Worth, TX (US)

(\*\*) Term: **14 Years**

(21) Appl. No.: **29/258,915**

(22) Filed: **Apr. 28, 2006**

(51) **LOC (8) Cl.** ..... **23-01**

(52) **U.S. Cl.** ..... **D23/259**

(58) **Field of Classification Search** ..... D23/259,  
D23/262-265; 138/DIG. 6, 97-98, 108,  
138/110-111, 113-114, 148-149, 178; 285/38,  
285/354; 428/68, 76, 105, 108, 114, 141,  
428/150, 167, 323, 325, 409; D8/354-357  
See application file for complete search history.

(56) **References Cited**

**U.S. PATENT DOCUMENTS**

4,100,367	A *	7/1978	Netzel	.....	174/28
D258,379	S *	2/1981	Joseph	.....	D23/259
4,398,772	A *	8/1983	Odell	.....	175/325.6
4,700,751	A *	10/1987	Fedrick	.....	138/149
4,896,701	A *	1/1990	Young	.....	138/108
4,928,736	A *	5/1990	Muszynski	.....	138/178
5,441,082	A *	8/1995	Eskew et al.	.....	138/112

D390,923	S *	2/1998	Stevens	.....	D23/262
6,199,595	B1 *	3/2001	Baker	.....	138/149
6,571,832	B1 *	6/2003	Elliott	.....	138/108
D479,585	S *	9/2003	Mulligan et al.	.....	D23/262
6,896,004	B1 *	5/2005	Witzel	.....	138/112
2003/0201025	A1 *	10/2003	Calais et al.	.....	138/112
2004/0094959	A1 *	5/2004	Shemtov	.....	285/354

\* cited by examiner

*Primary Examiner*—Louis S. Zarfaz

*Assistant Examiner*—Eric L Goodman

(74) *Attorney, Agent, or Firm*—Charles D. Gunter, Jr.

(57) **CLAIM**

The ornamental design for a casing insulator, as shown and described.

**DESCRIPTION**

FIG. 1 is a front, perspective view of the casing insulator of the invention;

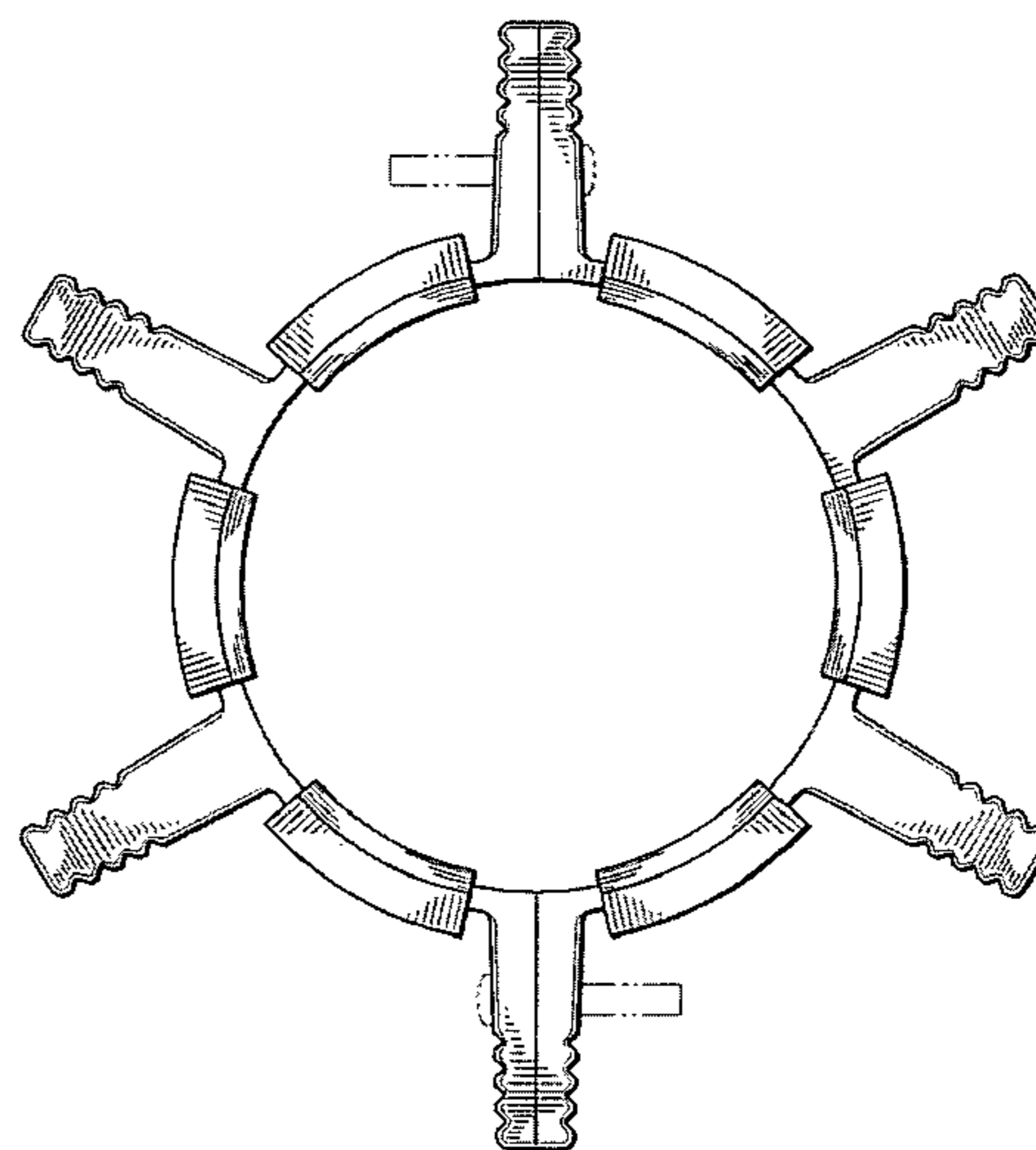
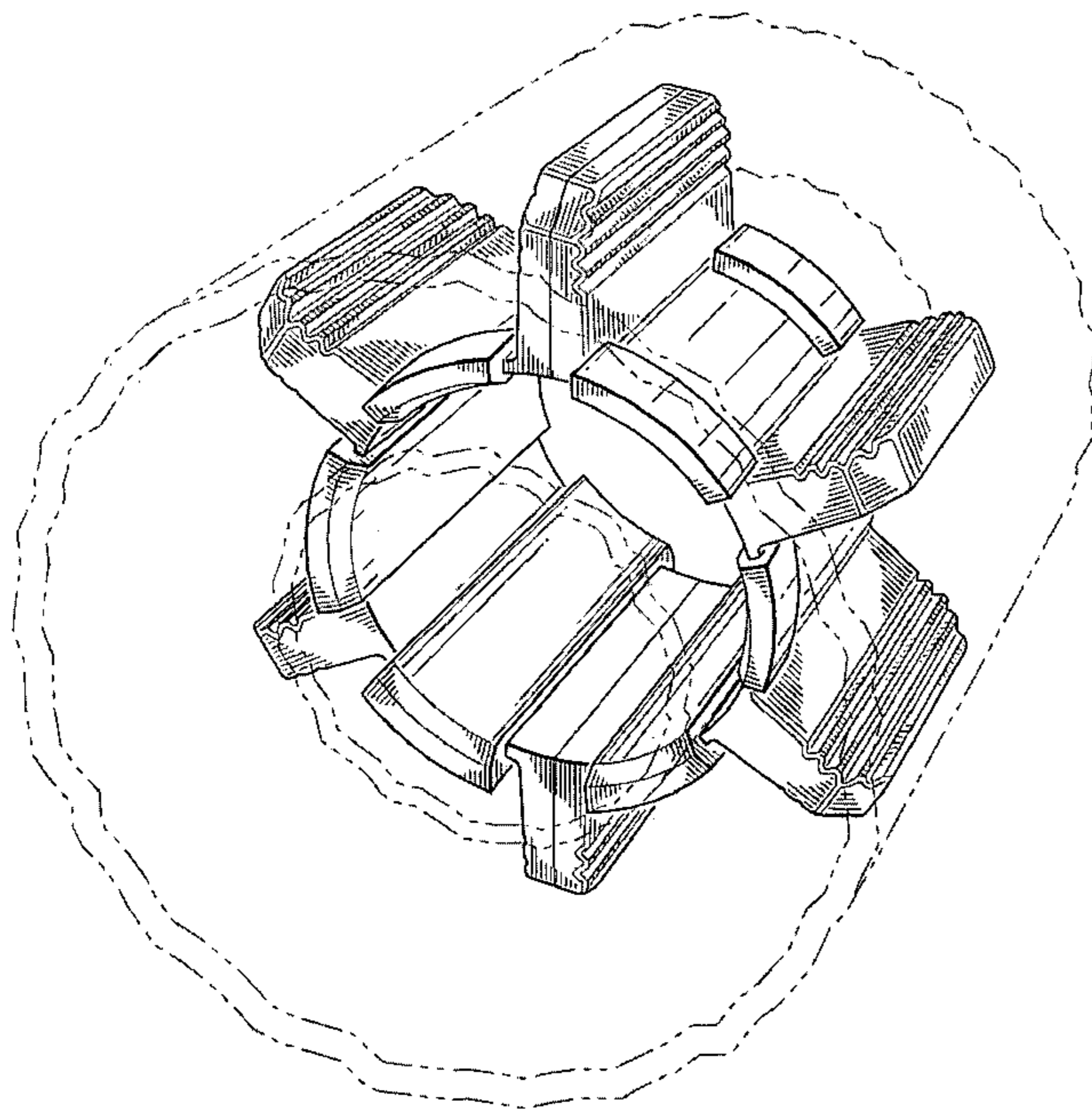
FIG. 2 is a front end view of the casing insulator of the invention, the rear end view being a mirror image thereof;

FIG. 3 is a top view of the casing insulator of FIG. 1; and,

FIG. 4 is a view of the casing insulator turned on its side.

The broken line showing is for the purpose of illustrating environmental structure, which forms no part of the claimed design.

**1 Claim, 3 Drawing Sheets**



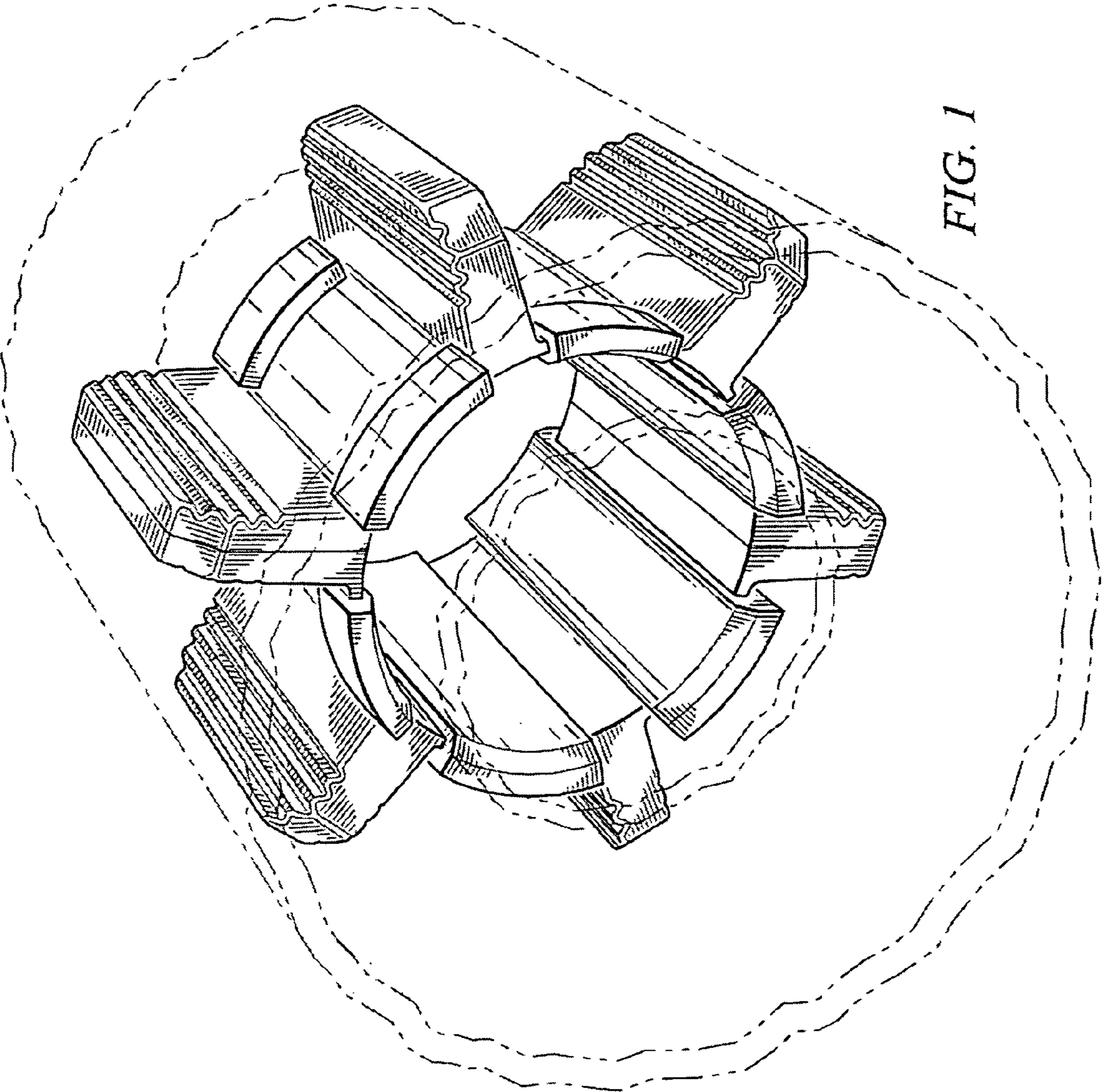


FIG. 1

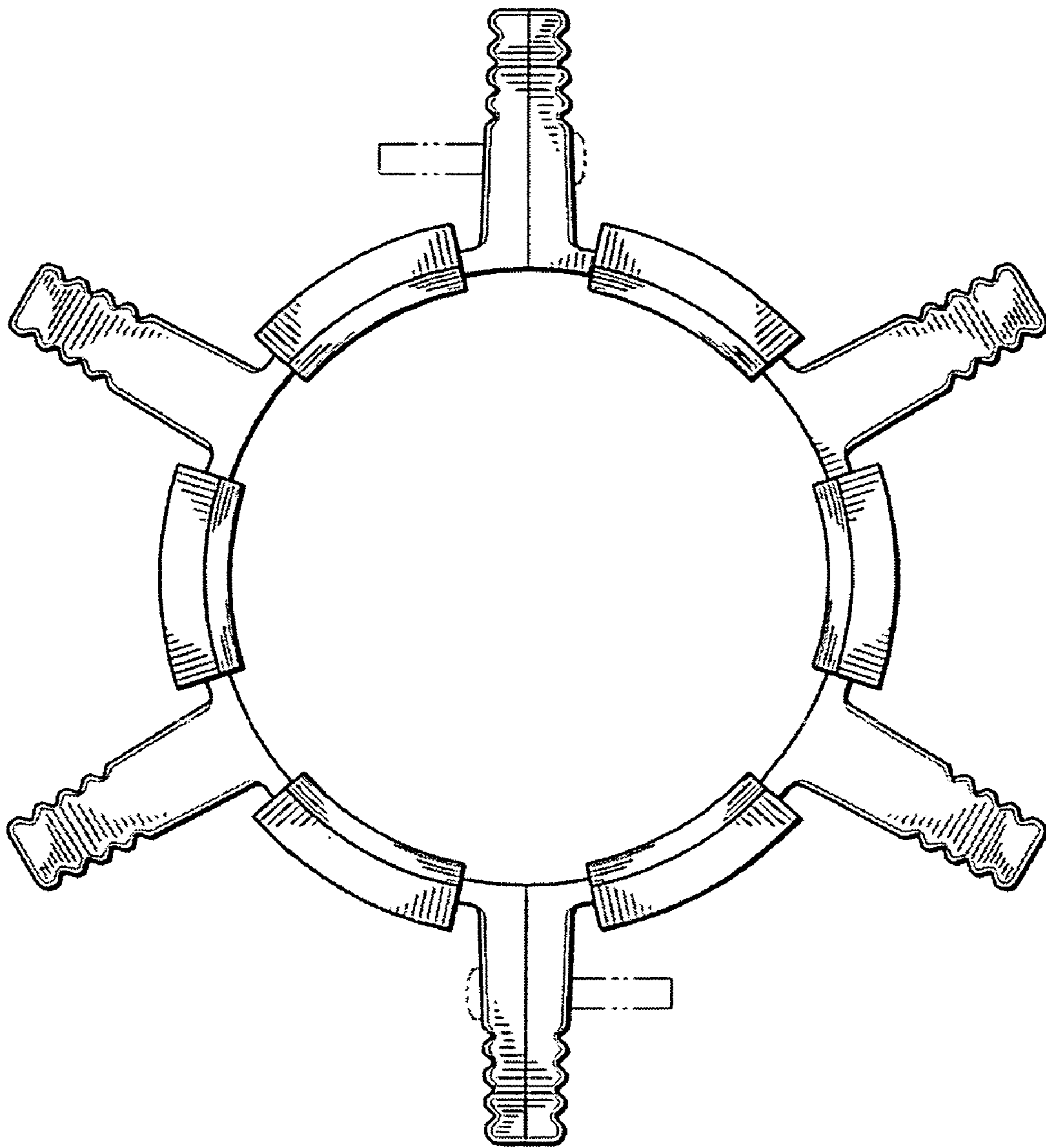


FIG. 2

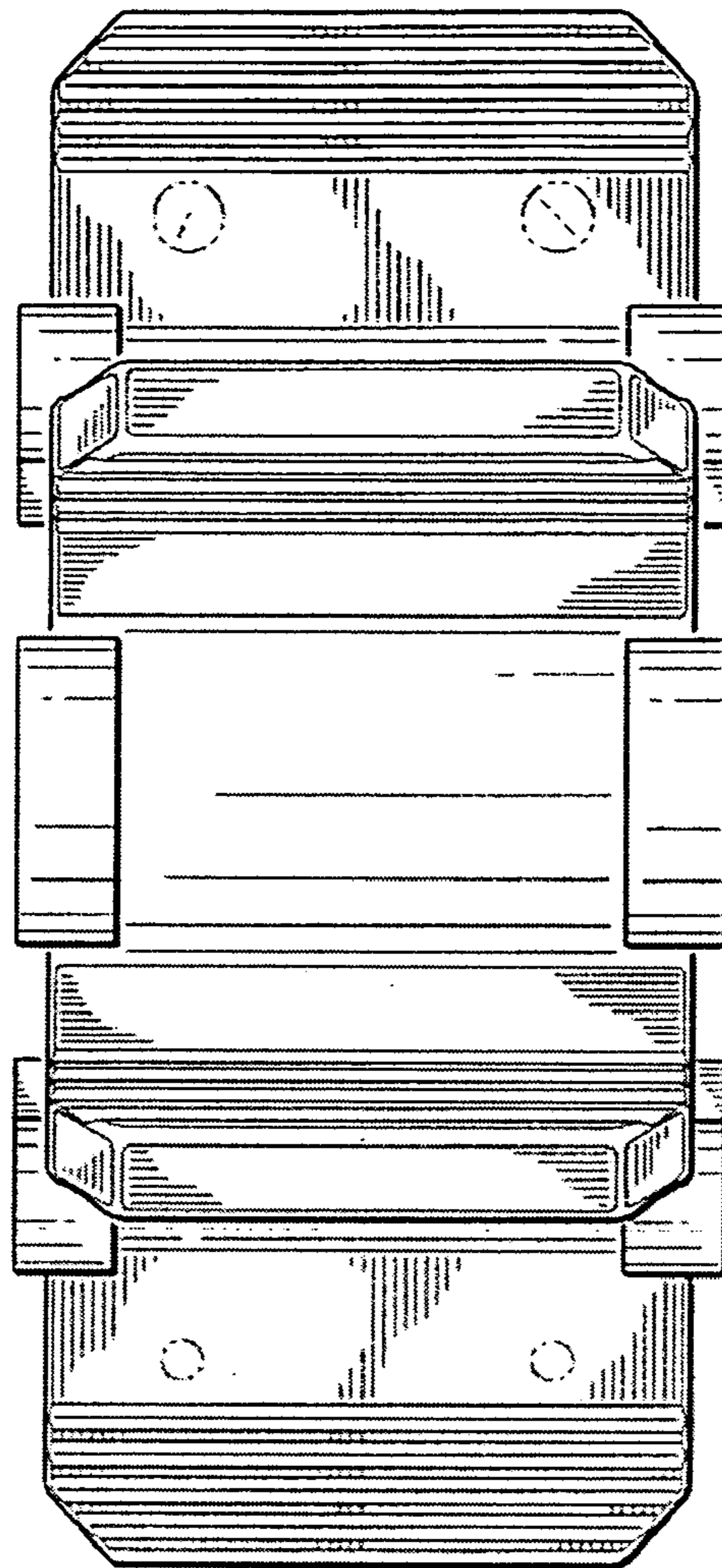


FIG. 3

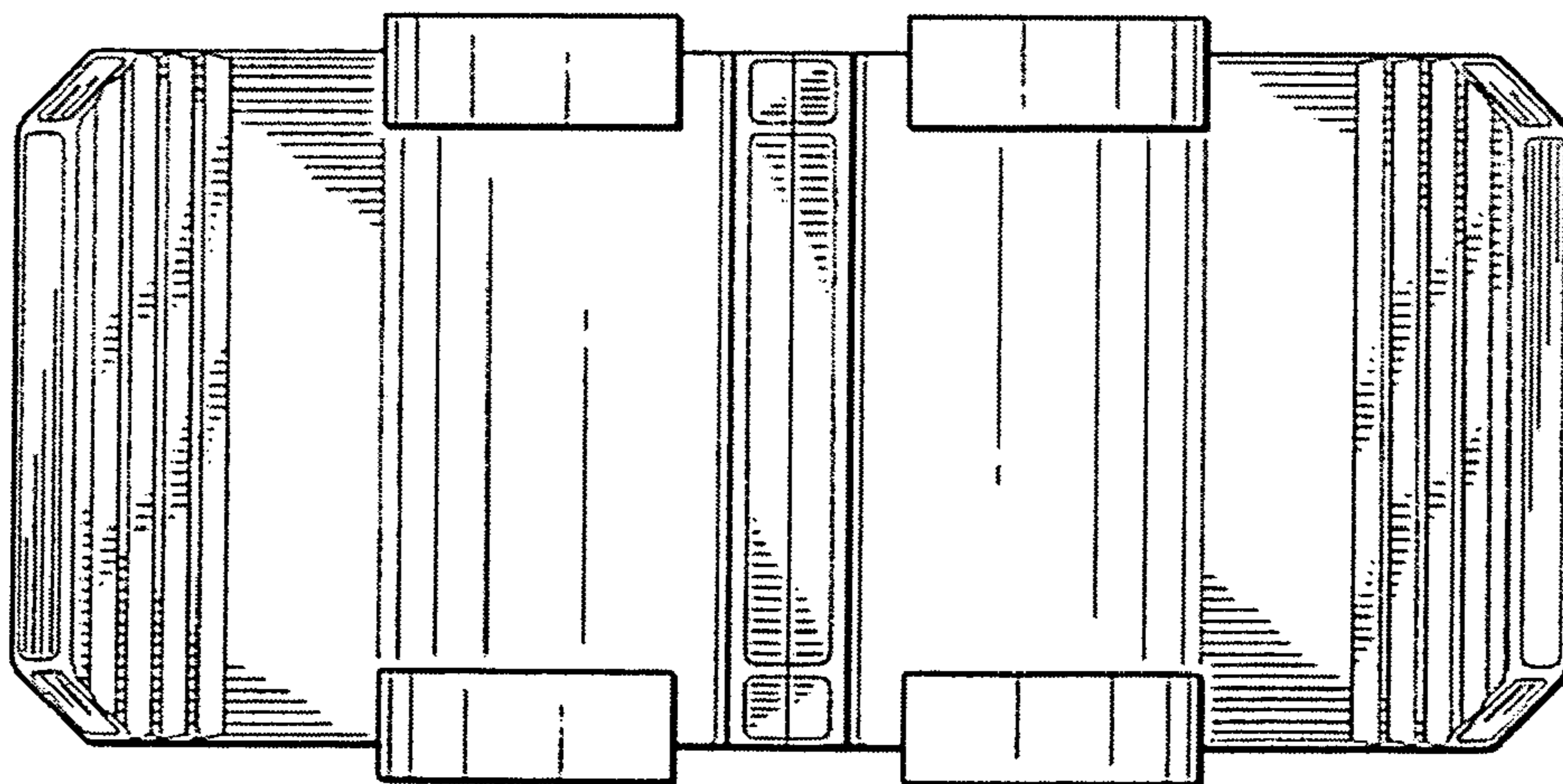


FIG. 4