



US00D553712S

(12) **United States Design Patent**
Chih

(10) **Patent No.:** **US D553,712 S**

(45) **Date of Patent:** **** Oct. 23, 2007**

(54) **SPRINKLING GUN**

D537,504 S * 2/2007 Luo D23/226

(76) **Inventor:** **Gordon Chih**, No. 33, Tien-Yang Lane,
Chao-An Li, Lu-Kang Chen, Changhua
Hsien (TW)

* cited by examiner

Primary Examiner—Robin Webster
(74) *Attorney, Agent, or Firm*—Troxell Law Office, PLLC

(**) **Term:** **14 Years**

(21) **Appl. No.:** **29/259,241**

(22) **Filed:** **May 5, 2006**

(51) **LOC (8) Cl.** **23-01**

(52) **U.S. Cl.** **D23/226**

(58) **Field of Classification Search** D23/213,
D23/223, 226; 239/525–527

See application file for complete search history.

(56) **References Cited**

U.S. PATENT DOCUMENTS

D383,522 S *	9/1997	Guo	D23/226
D471,958 S *	3/2003	Nien	D23/226
D477,051 S *	7/2003	Kuo	D23/226
D501,537 S *	2/2005	Zeng	D23/226
D534,240 S *	12/2006	Wang	D23/226

(57) **CLAIM**

The ornamental design for a sprinkling gun, as shown and described.

DESCRIPTION

FIG. 1 is a perspective view of a sprinkling gun showing my design;

FIG. 2 is a front view thereof;

FIG. 3 is a rear view thereof;

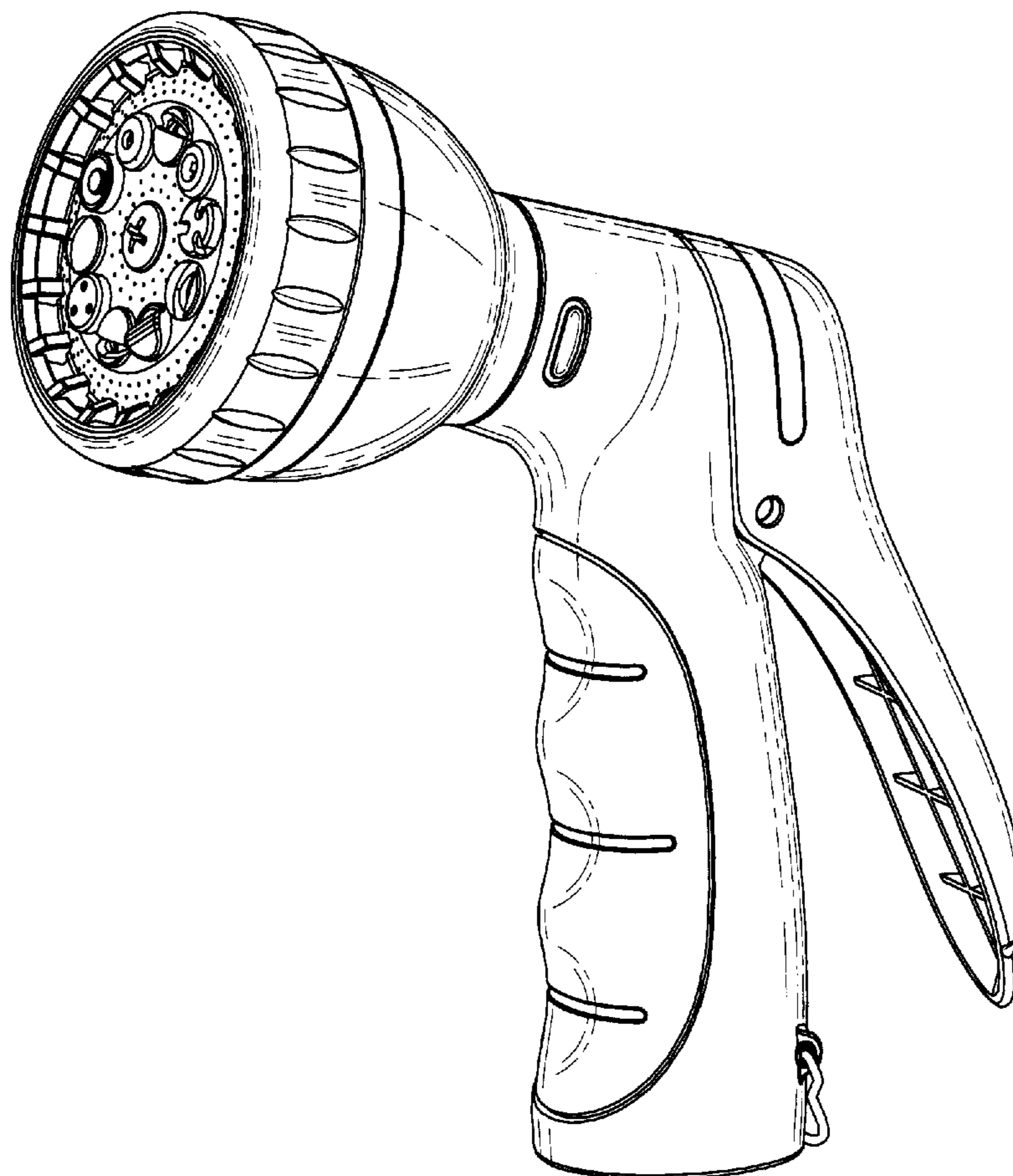
FIG. 4 is a left side view thereof;

FIG. 5 is a right side view thereof;

FIG. 6 is a top view thereof; and,

FIG. 7 is a bottom view thereof.

1 Claim, 5 Drawing Sheets



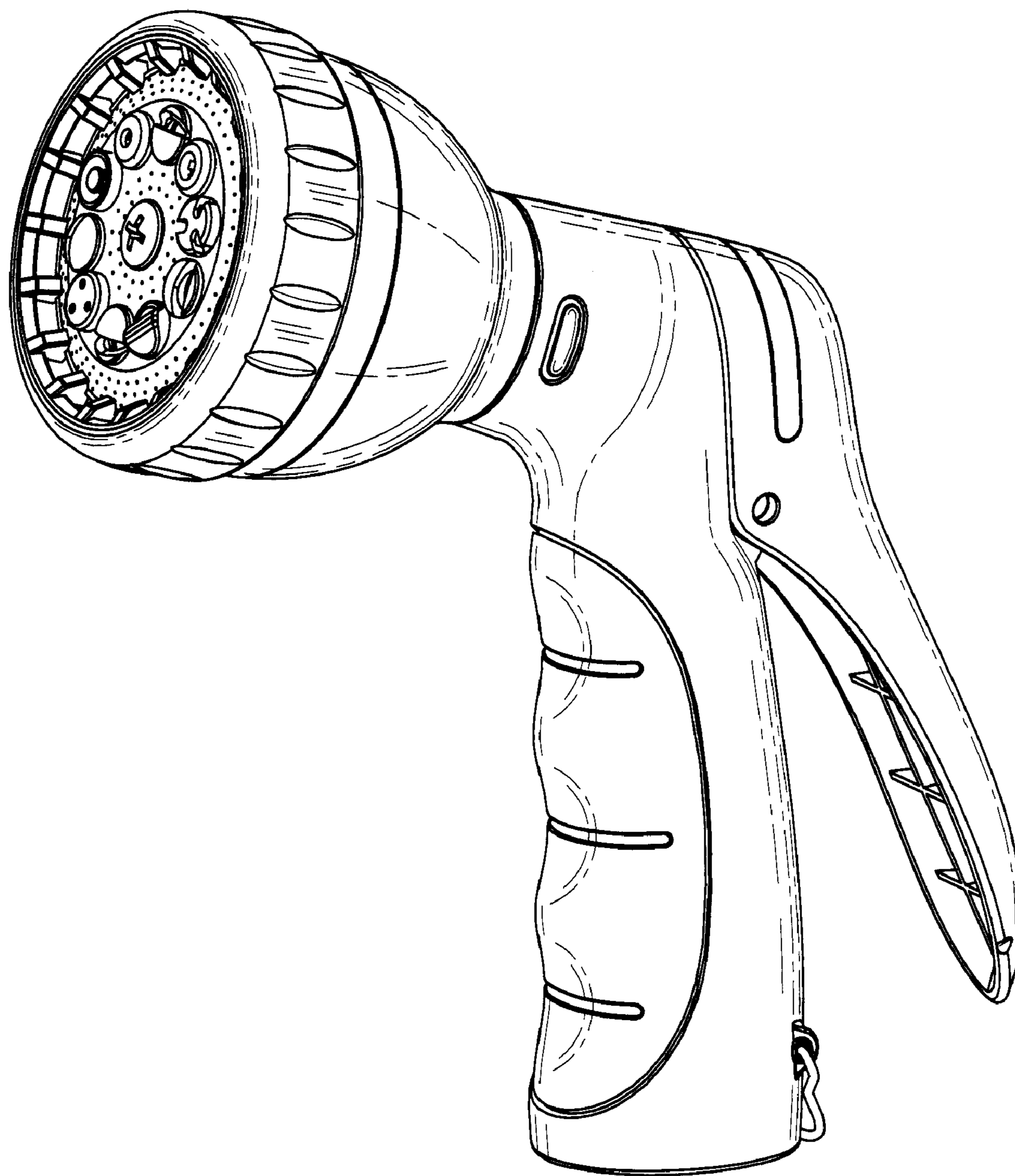


Fig. 1

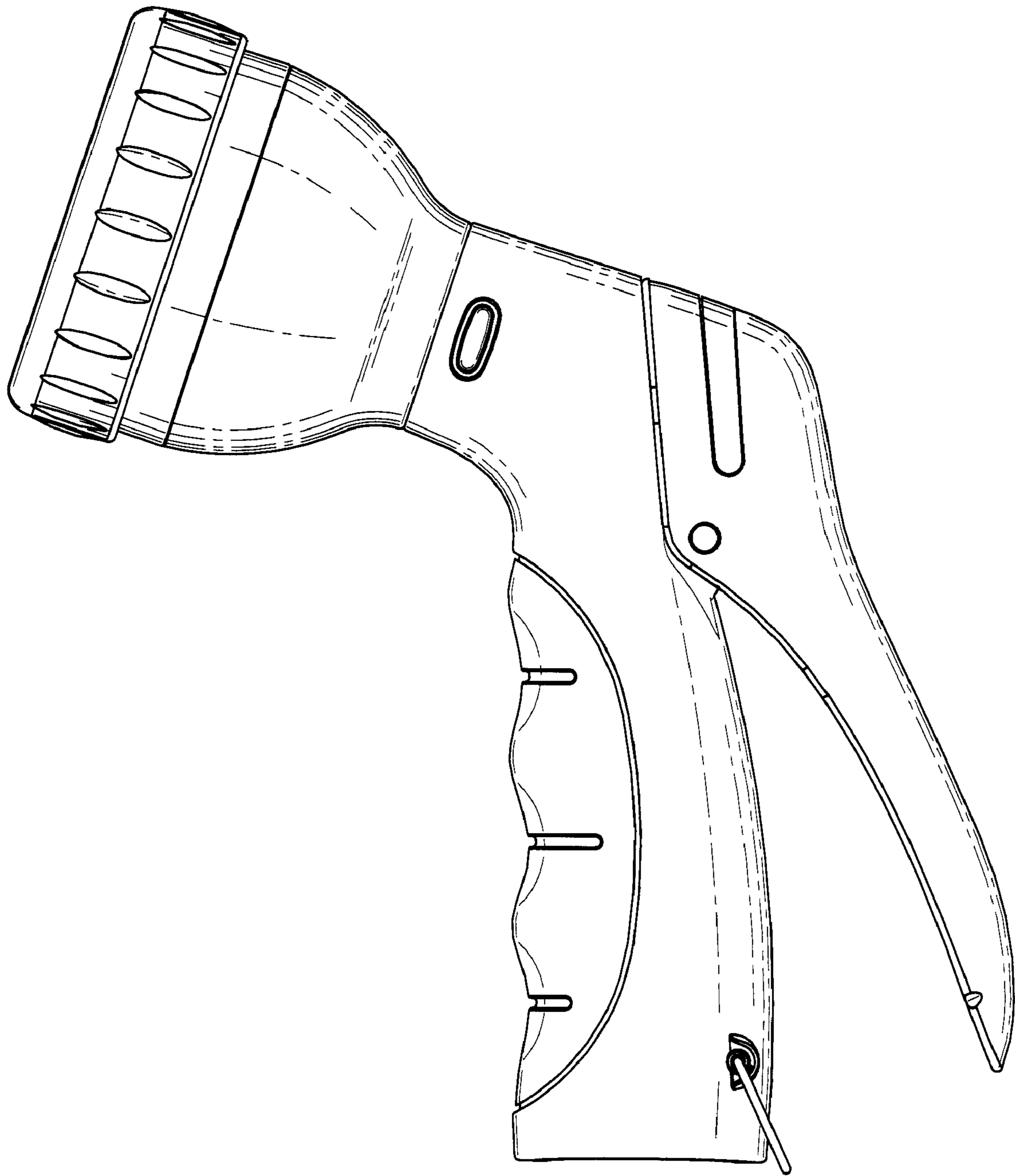


Fig. 2

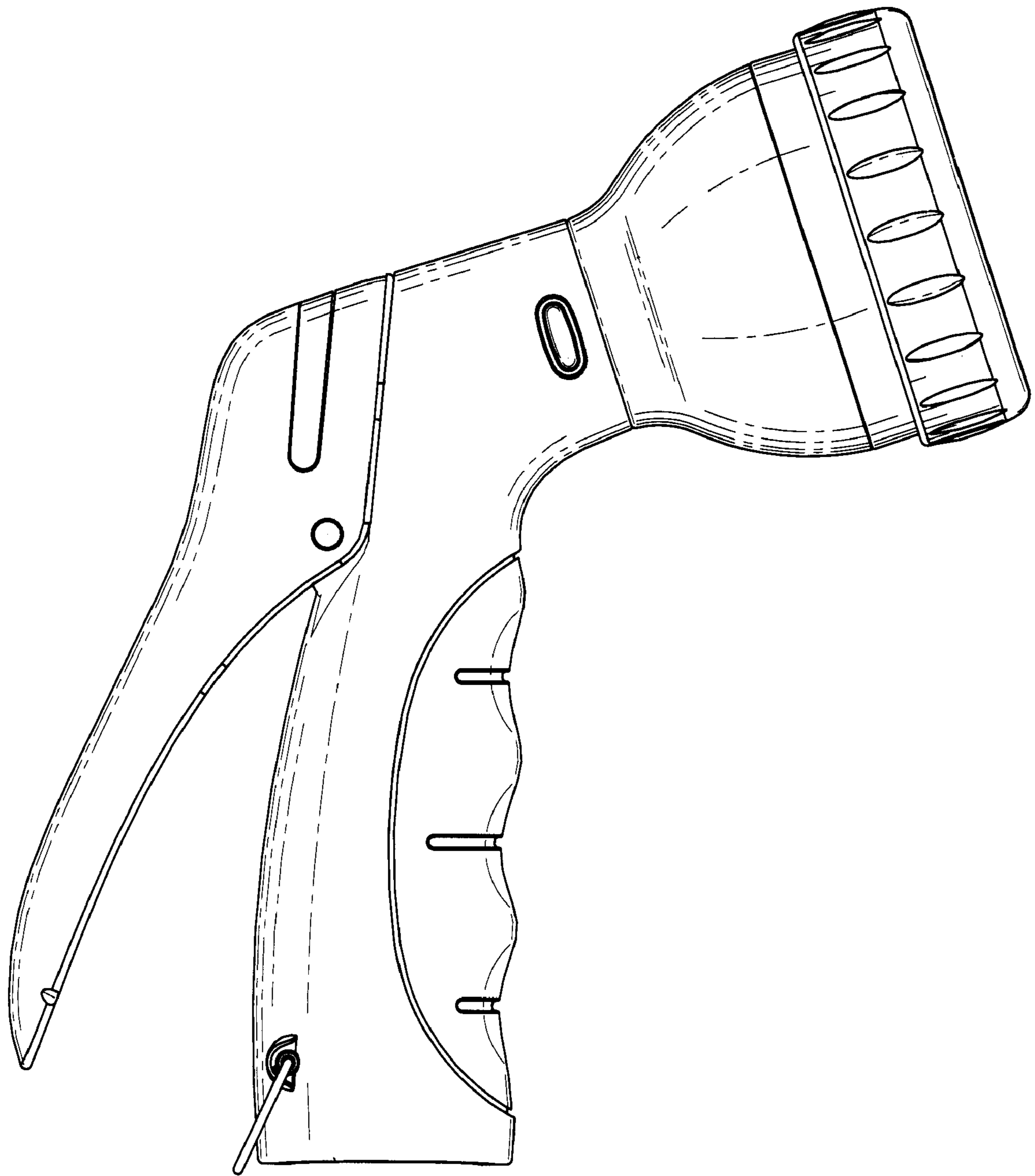


Fig. 3

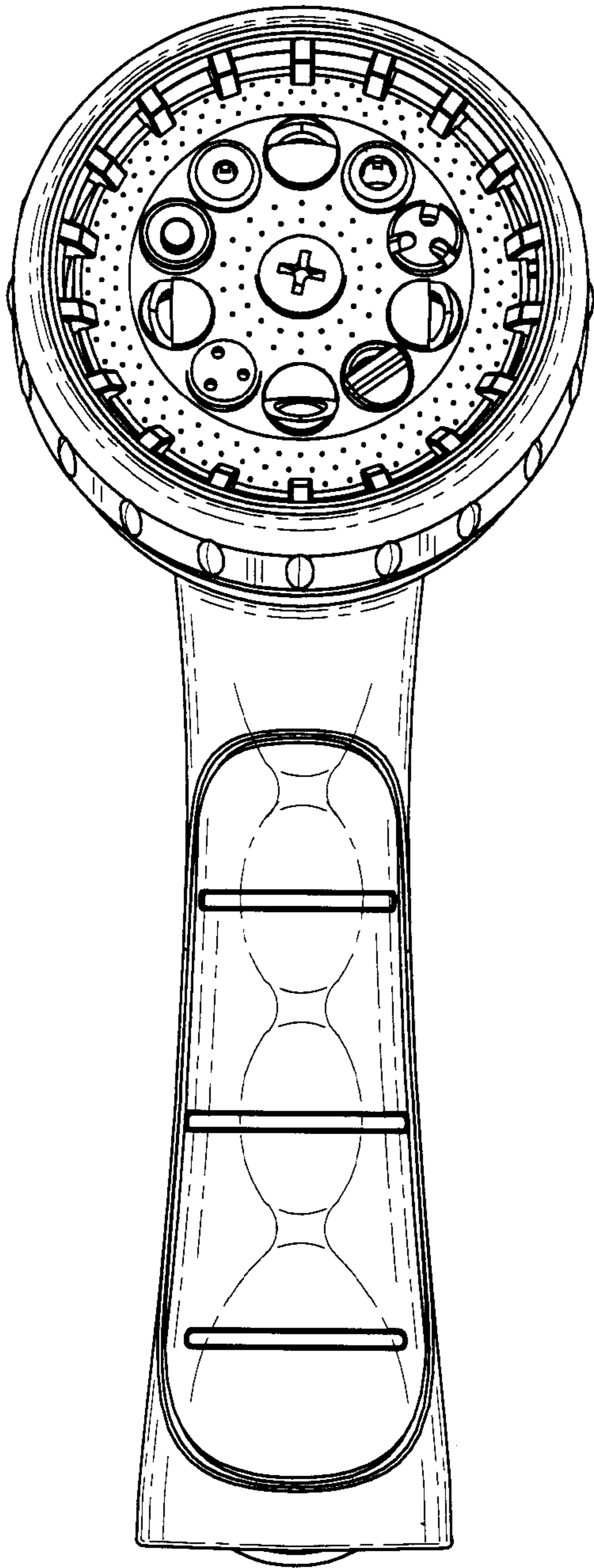


Fig. 4

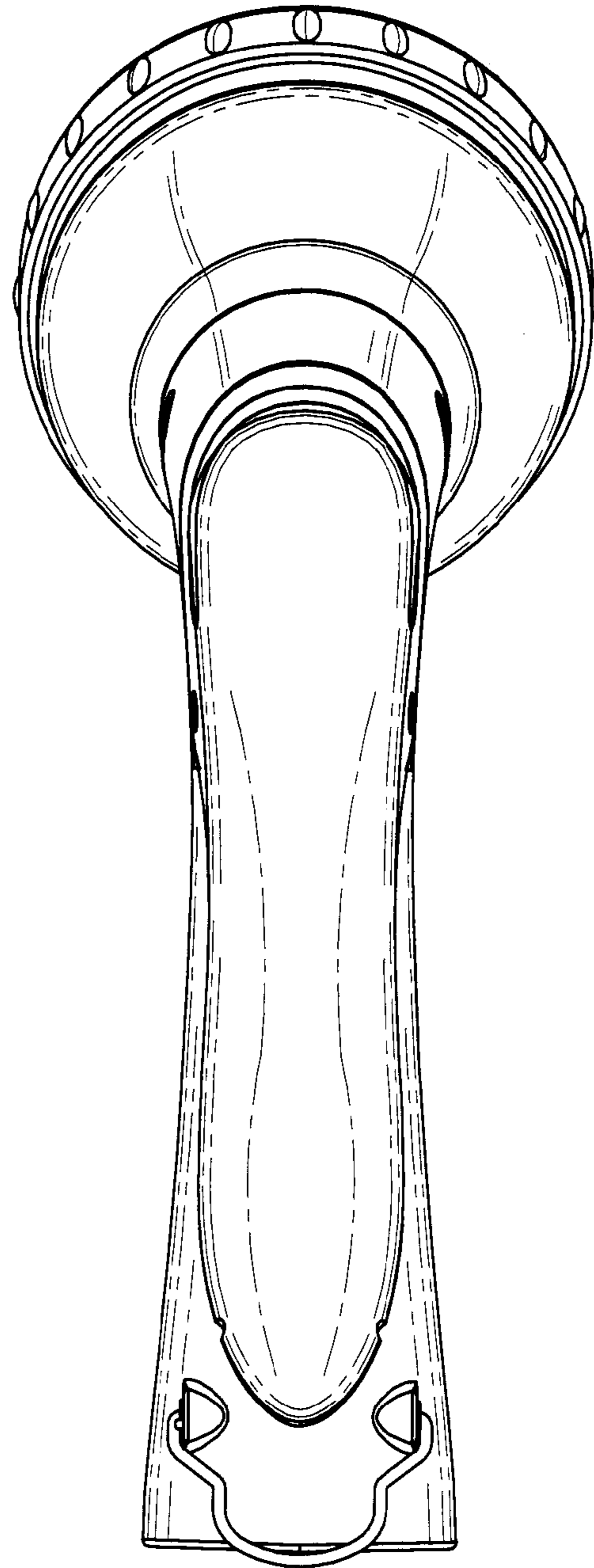


Fig. 5

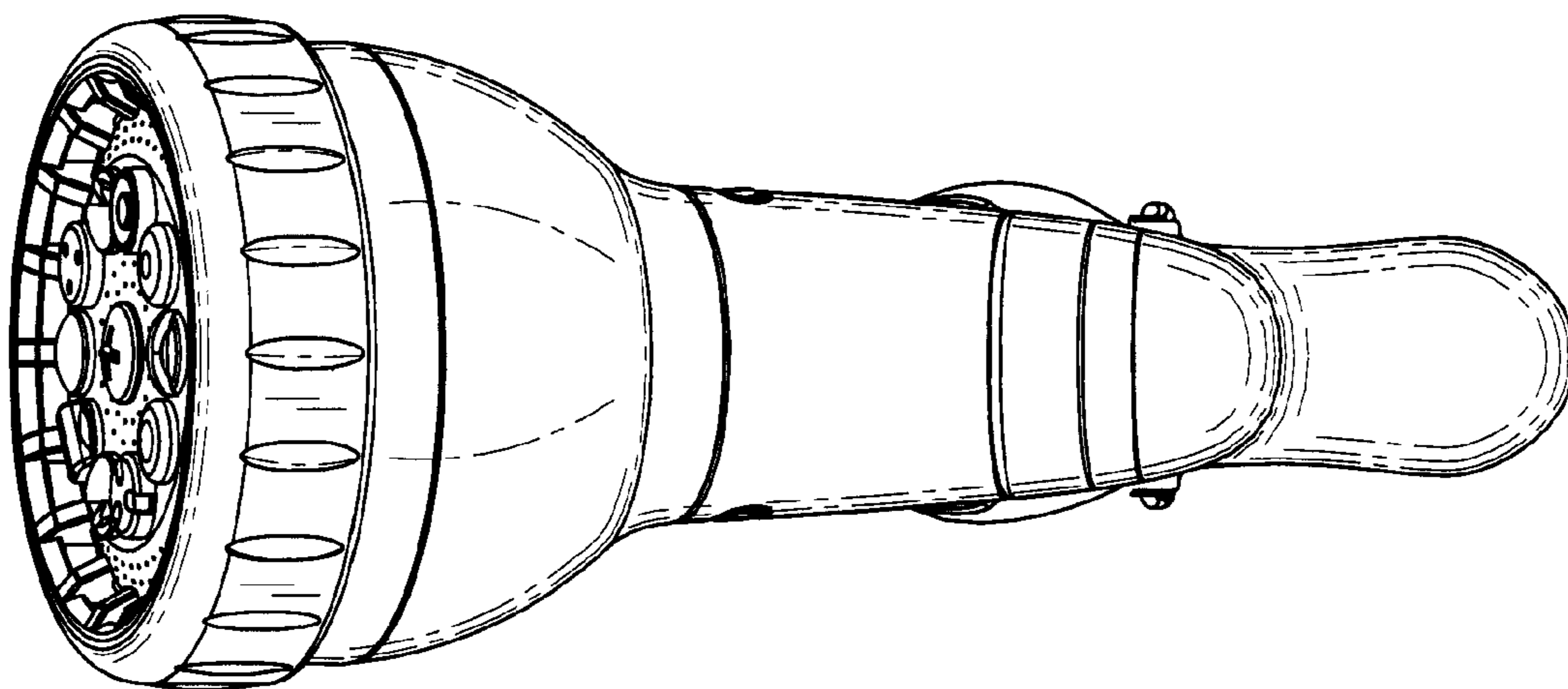


Fig. 6

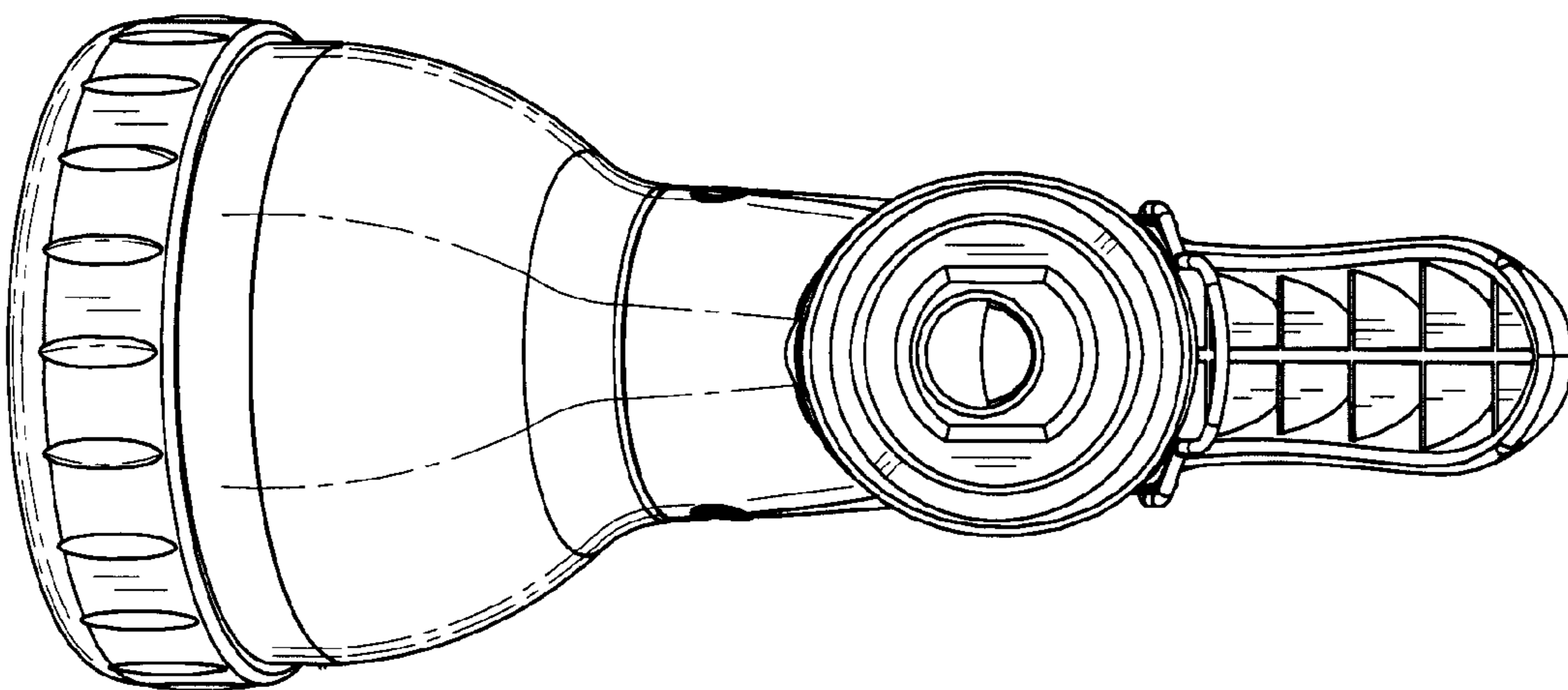


Fig. 7