



US00D553710S

(12) **United States Design Patent**
Huang

(10) **Patent No.:** **US D553,710 S**

(45) **Date of Patent:** **** Oct. 23, 2007**

(54) **SPRAY GUN BODY**

D507,630 S * 7/2005 Huang D23/223
D510,609 S * 10/2005 Huang D23/223

(75) Inventor: **Tiao-Hsiang Huang**, Taipei Hsien (TW)

* cited by examiner

(73) Assignee: **Kuan Chang Co., Ltd.**, Shulin, Taipei County (TW)

Primary Examiner—Robin V. Webster

(74) *Attorney, Agent, or Firm*—WPAT, P.C.; Anthony King

(**) Term: **14 Years**

(57) **CLAIM**

(21) Appl. No.: **29/249,912**

I claim, the ornamental design for a spray gun body, as shown and described.

(22) Filed: **Oct. 26, 2006**

DESCRIPTION

(51) **LOC (8) Cl.** **23-01**

FIG. 1 is a perspective view of a spray gun body showing my present design;

(52) **U.S. Cl.** **D23/223**

FIG. 2 is a front view thereof;

(58) **Field of Classification Search** D23/213,

FIG. 3 is a rear view thereof;

D23/223, 226; 239/525-7, 690-1

FIG. 4 is a left view thereof;

See application file for complete search history.

FIG. 5 is a right view thereof;

(56) **References Cited**

U.S. PATENT DOCUMENTS

FIG. 6 is a top plan view thereof; and,

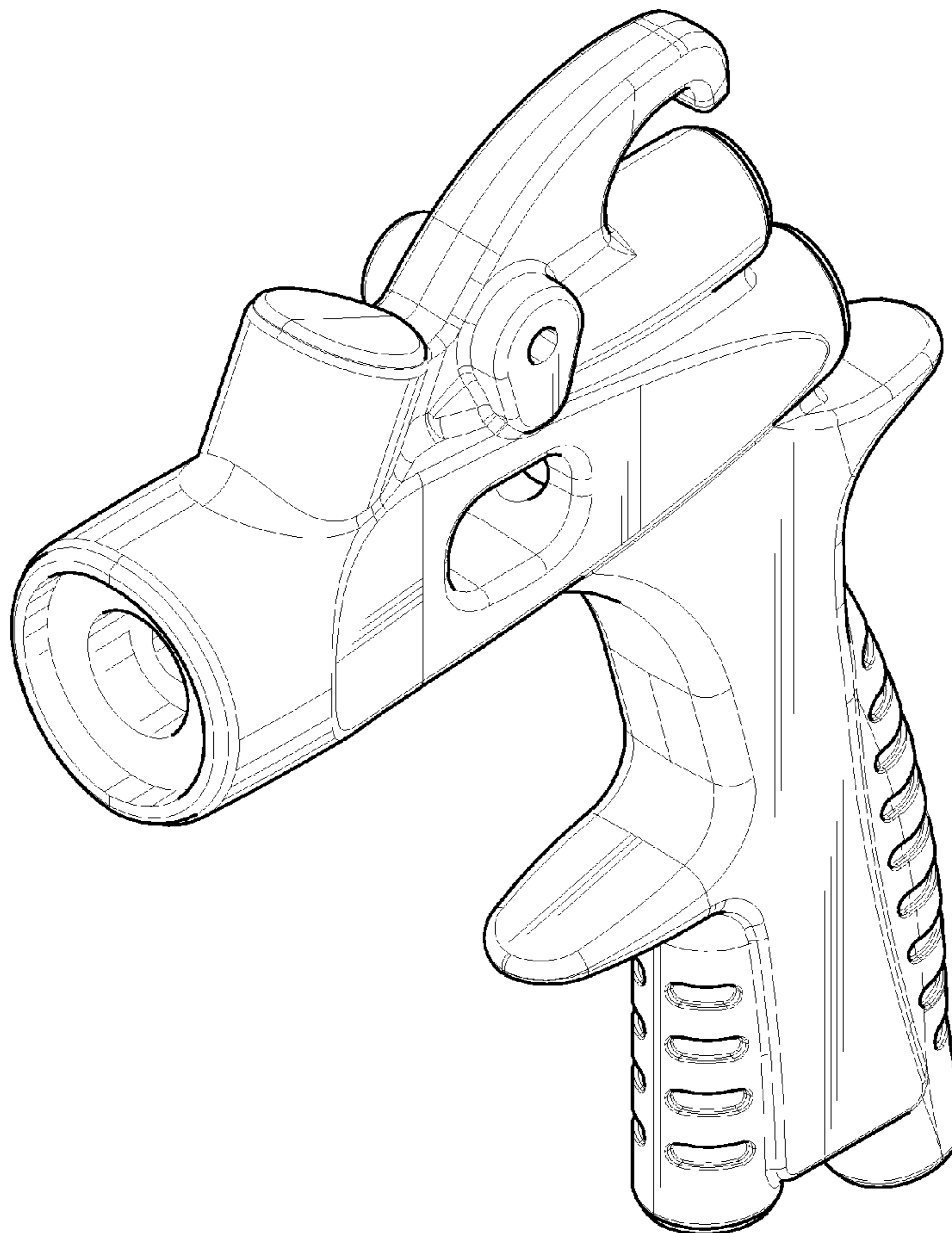
FIG. 7 is a bottom plan view.

D474,257 S * 5/2003 Huang D23/223

D499,168 S * 11/2004 Huang D23/223

D506,808 S * 6/2005 Huang D23/223

1 Claim, 5 Drawing Sheets



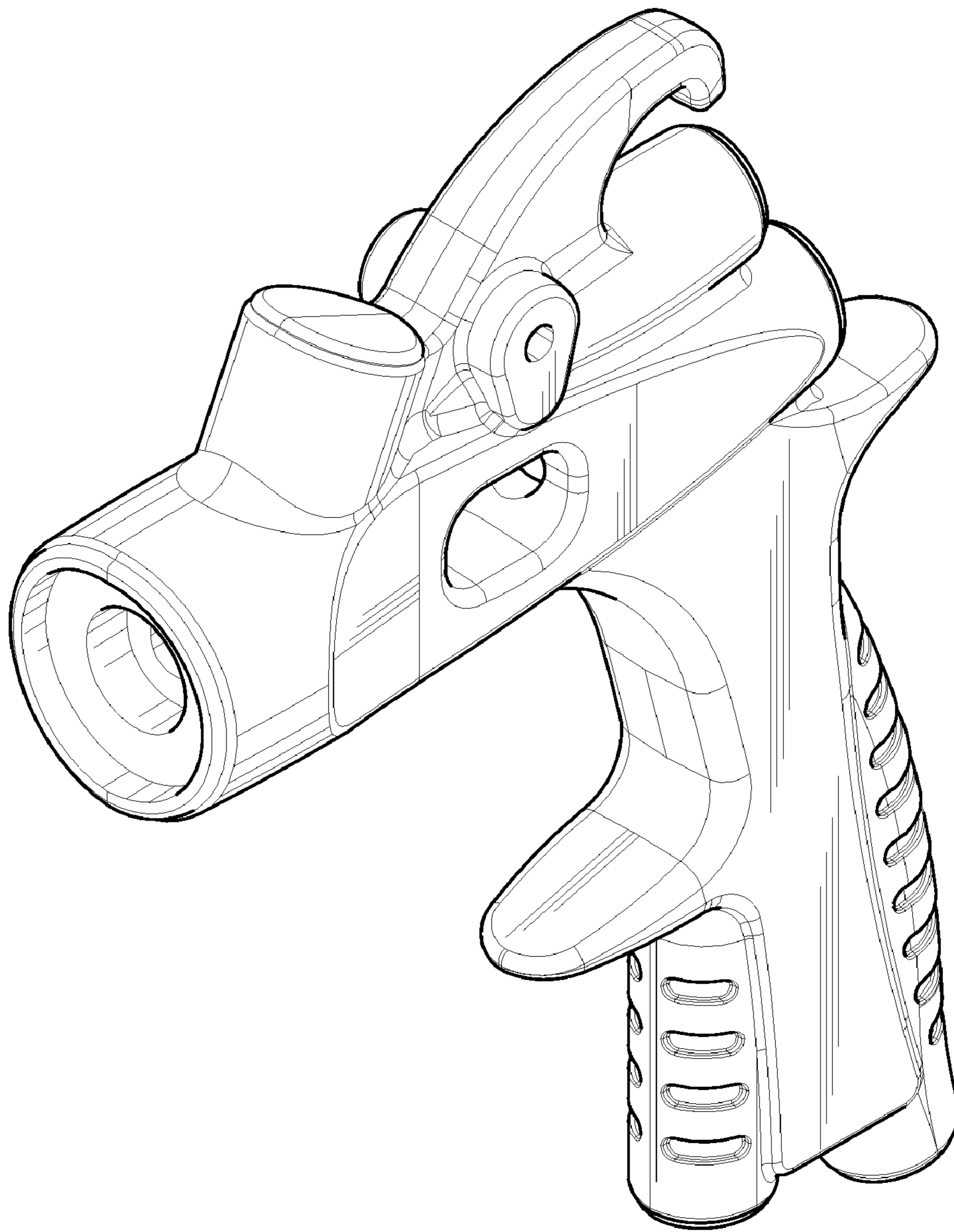


FIG. 1

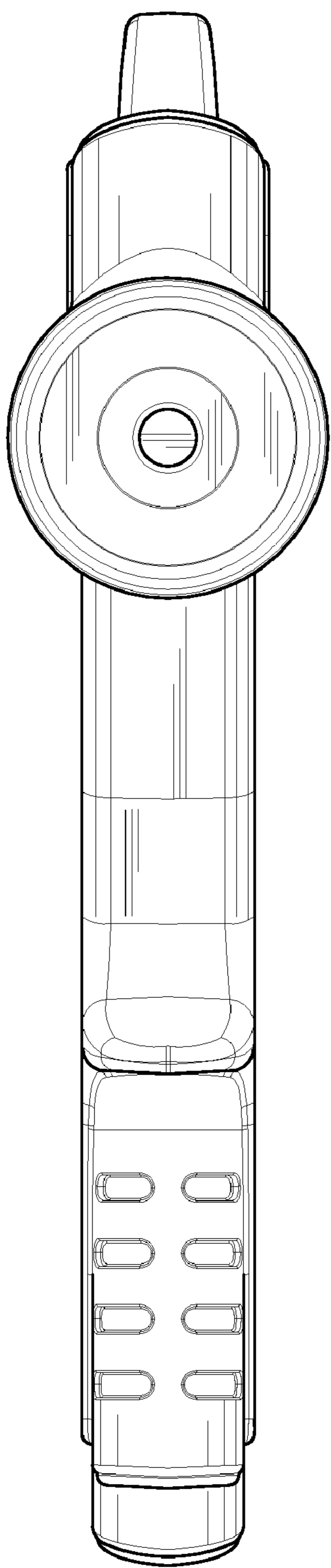


FIG. 2

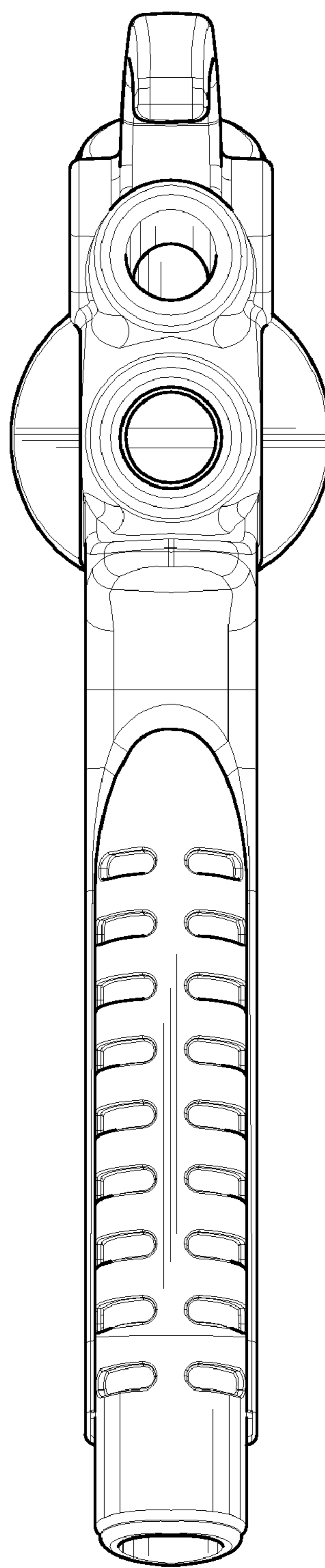


FIG. 3

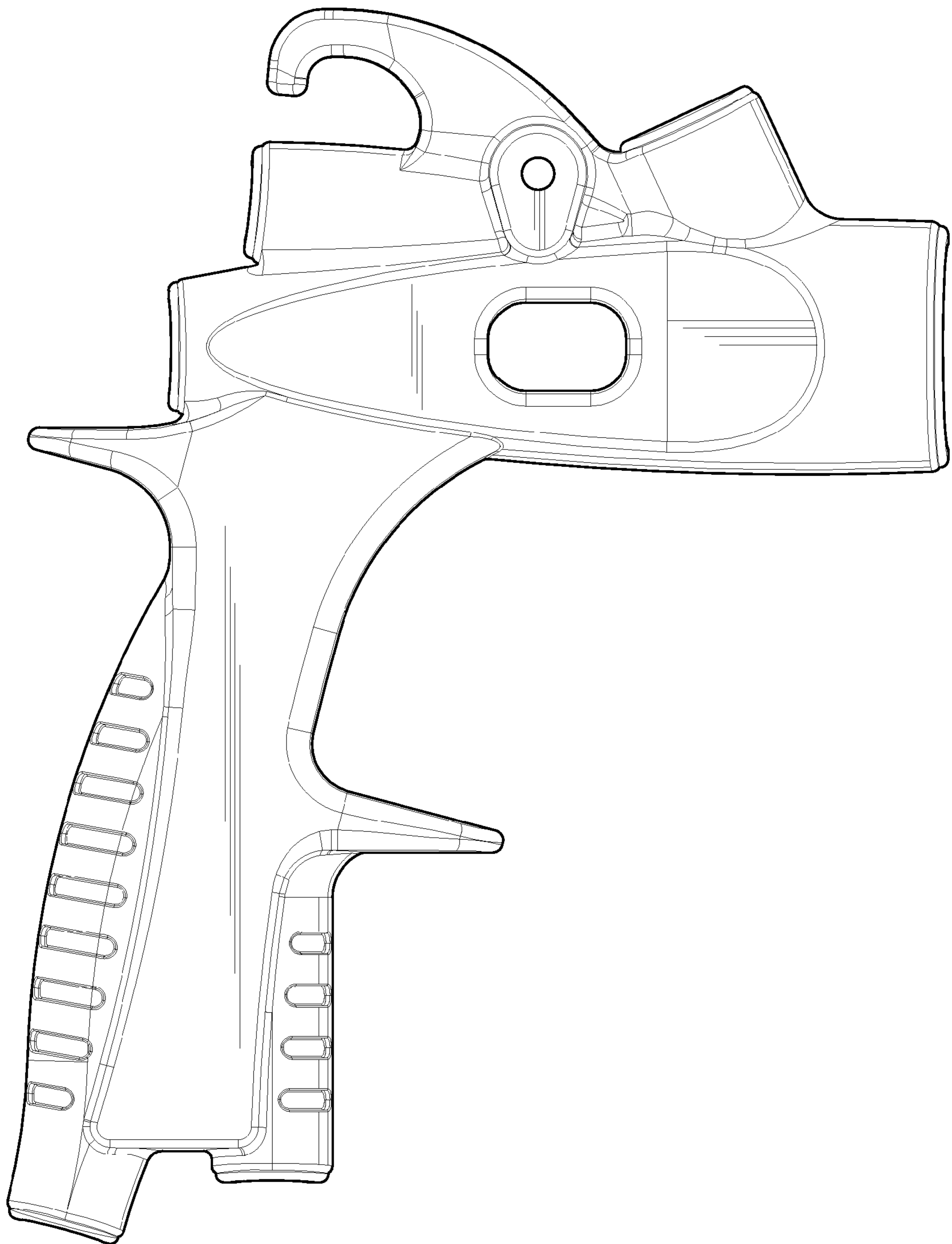


FIG. 4

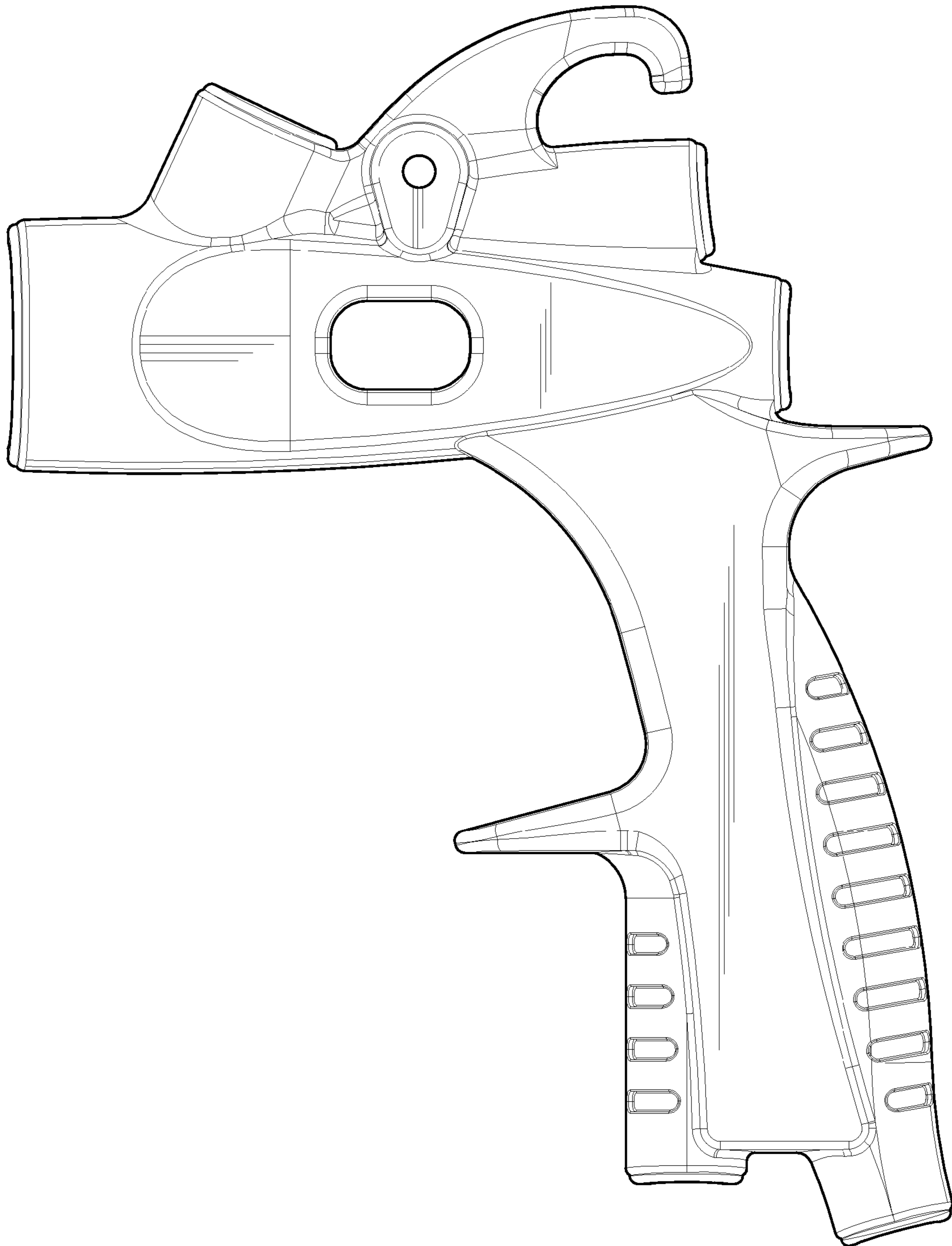


FIG. 5

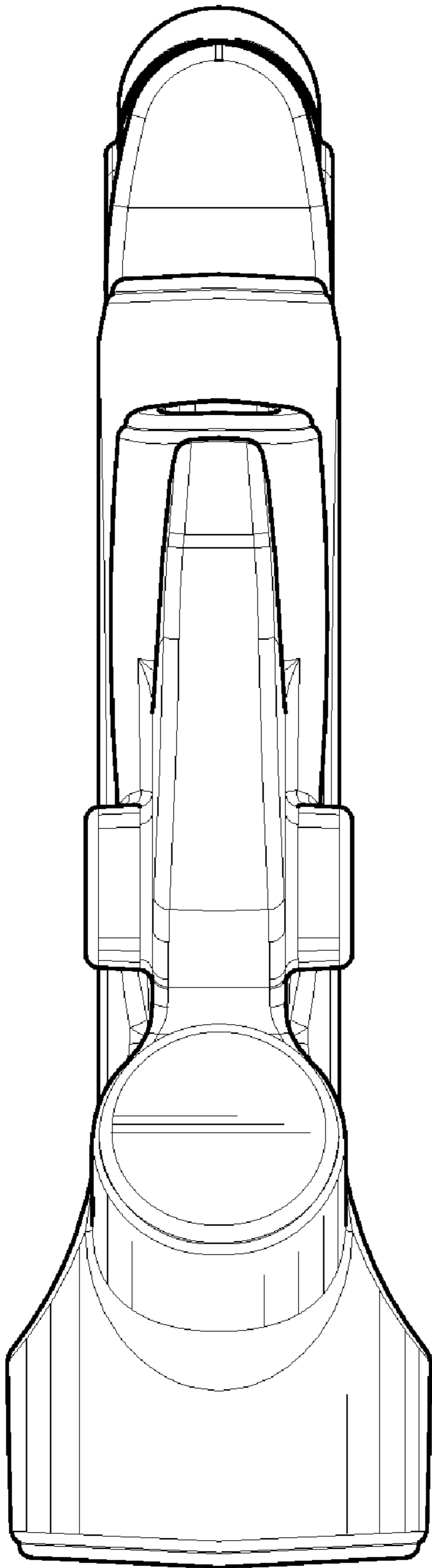


FIG. 6

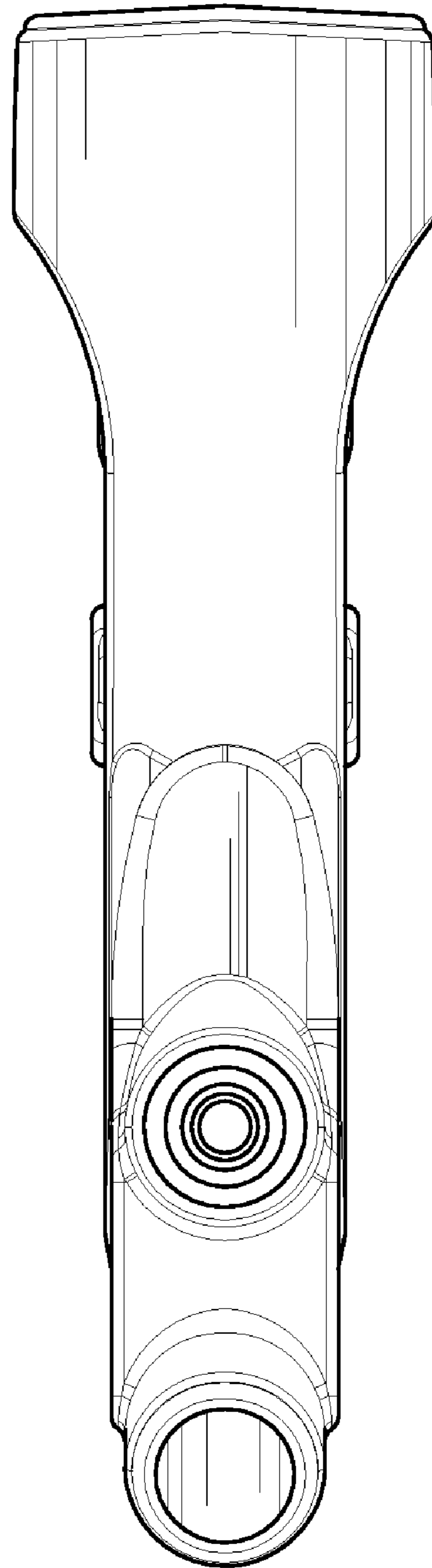


FIG. 7