



US00D553707S

(12) **United States Design Patent**
Holbrook, Sr.

(10) **Patent No.:** **US D553,707 S**

(45) **Date of Patent:** **** Oct. 23, 2007**

(54) **TRANSPARENT WATER SHOWER SPRAYER**

6,554,213 B2 * 4/2003 Chen 239/394

* cited by examiner

(76) Inventor: **Alan E. Holbrook, Sr.**, 9407 Spring
Branch, Dallas, TX (US) 75238

Primary Examiner—Robin Webster

(**) Term: **14 Years**

(57) **CLAIM**

(21) Appl. No.: **29/256,128**

The ornamental design for a transparent water shower
sprayer, as shown and described.

(22) Filed: **Mar. 17, 2006**

DESCRIPTION

(51) **LOC (8) Cl.** **23-01**

FIG. 1 is a front elevational view thereof.

(52) **U.S. Cl.** **D23/213**

FIG. 2 is a right side elevational view thereof.

(58) **Field of Classification Search** D23/213,

FIG. 3 is a top plan view thereof.

D23/226; 239/525-7, 532

FIG. 4 is a left side elevational view thereof.

See application file for complete search history.

FIG. 5 is a rear elevational view thereof; and,

FIG. 6 is a bottom plan view thereof.

(56) **References Cited**

The broken line showing is included for the purpose of
illustrating and forms no part of the claimed design.

U.S. PATENT DOCUMENTS

D459,435 S * 6/2002 Fauquet D23/213

D472,303 S * 3/2003 Alkalay et al. D23/223

1 Claim, 2 Drawing Sheets

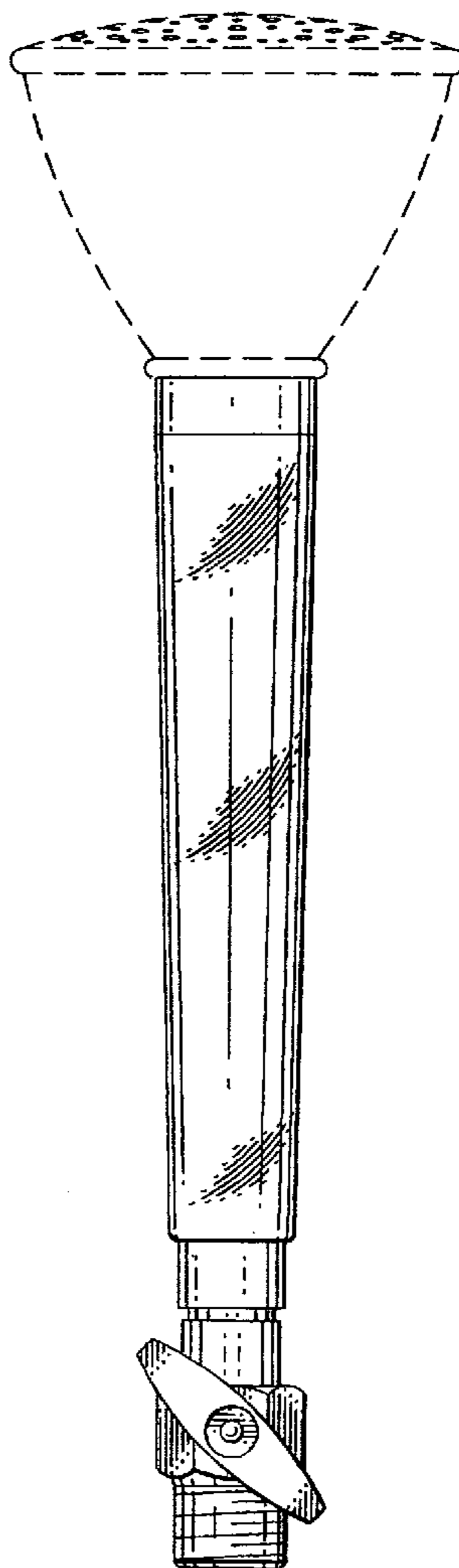


FIG. 1

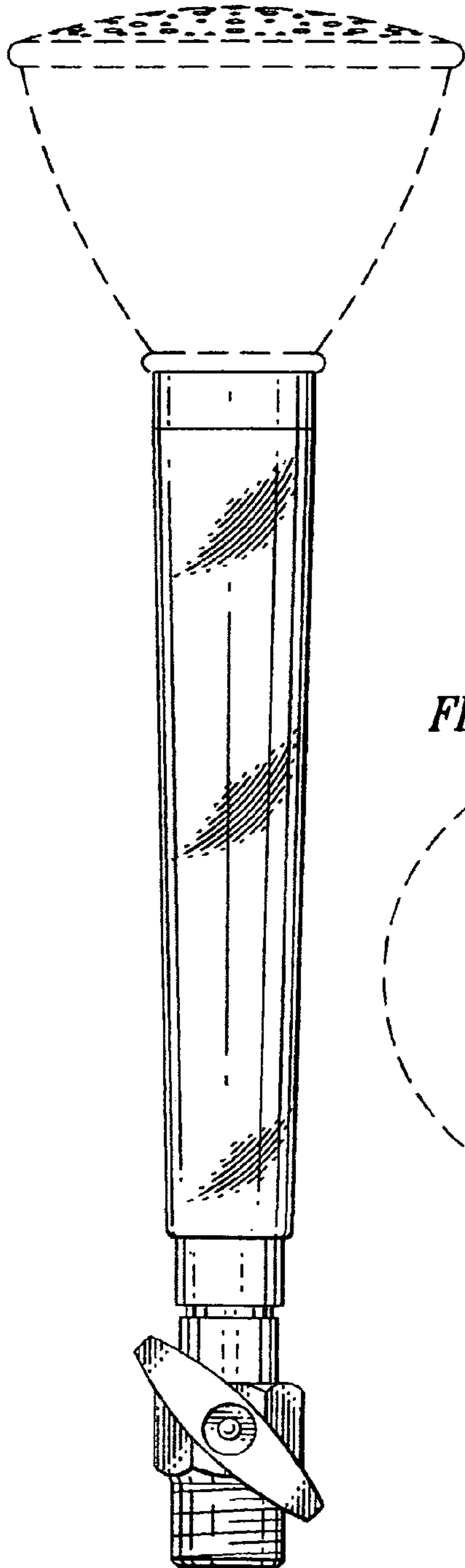


FIG. 2

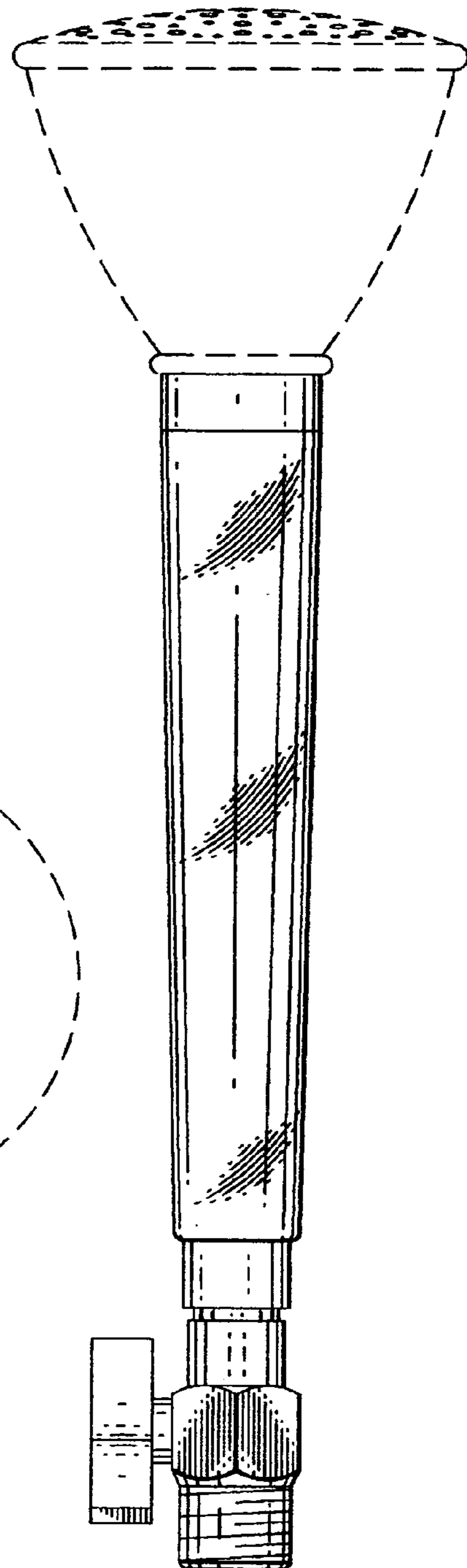


FIG. 3

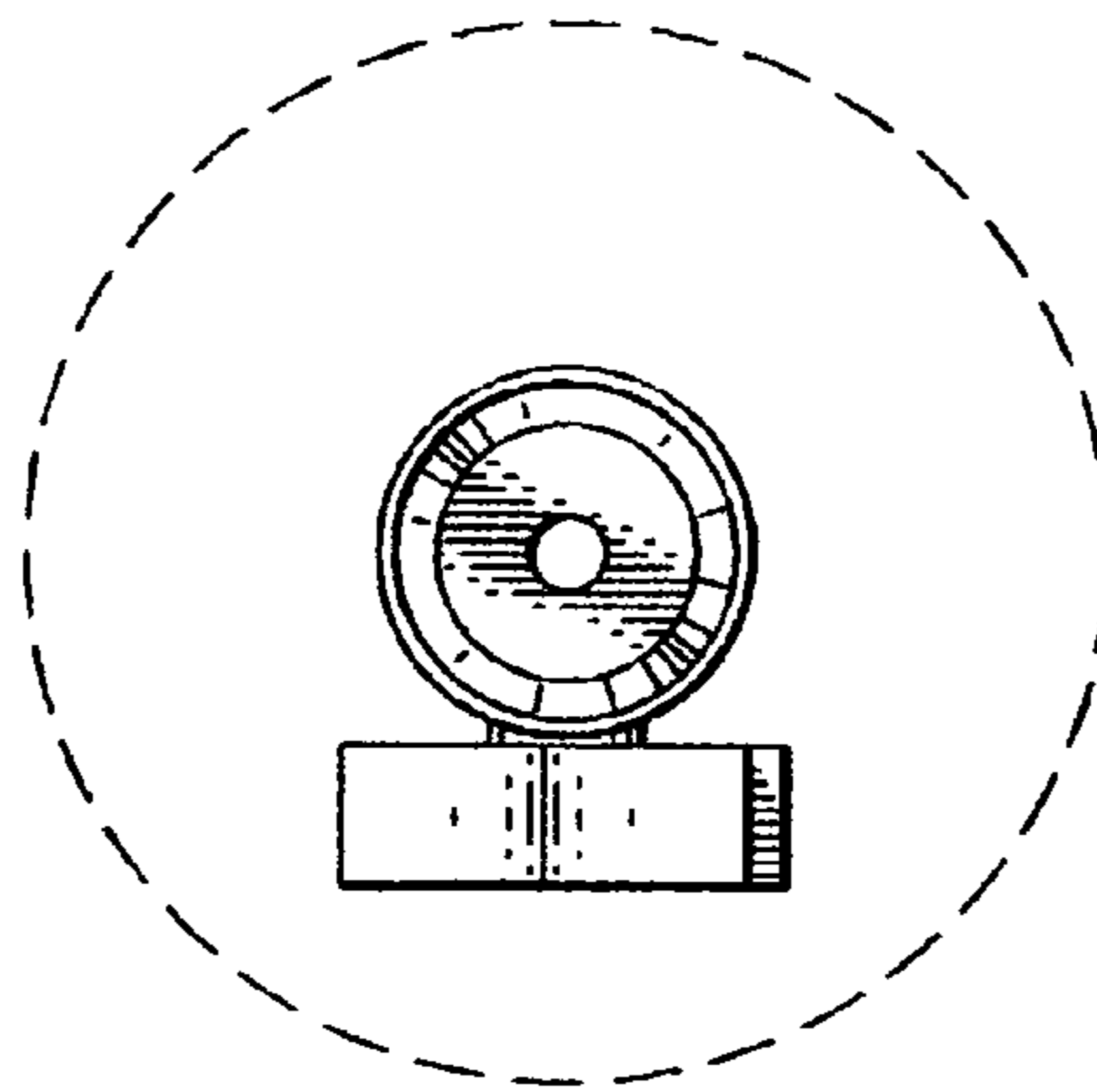


FIG. 4

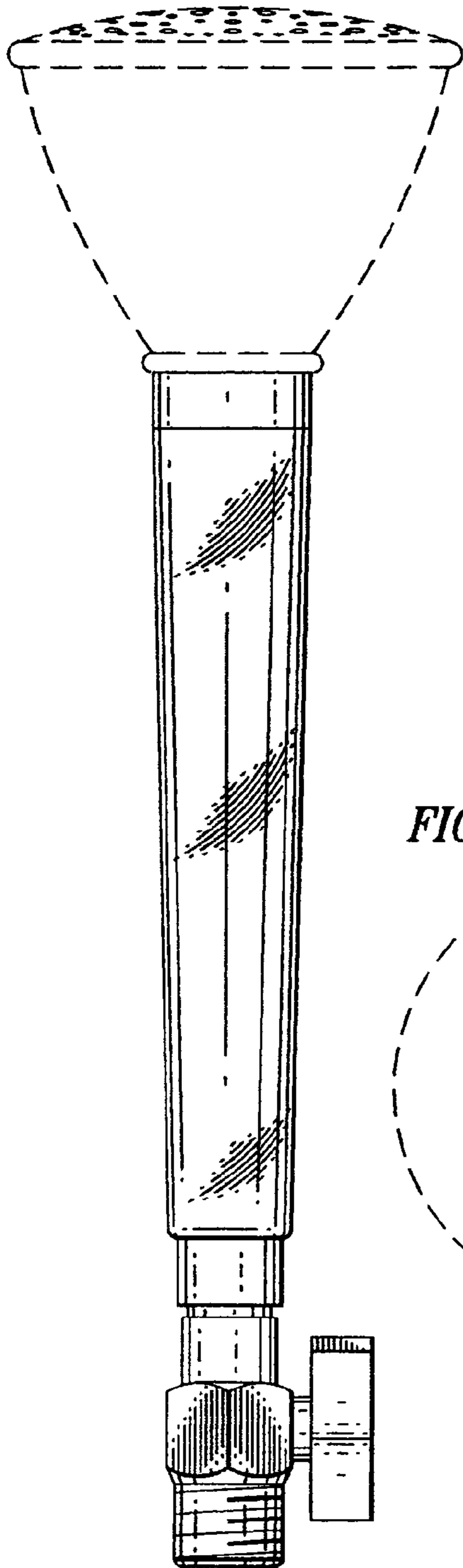


FIG. 5

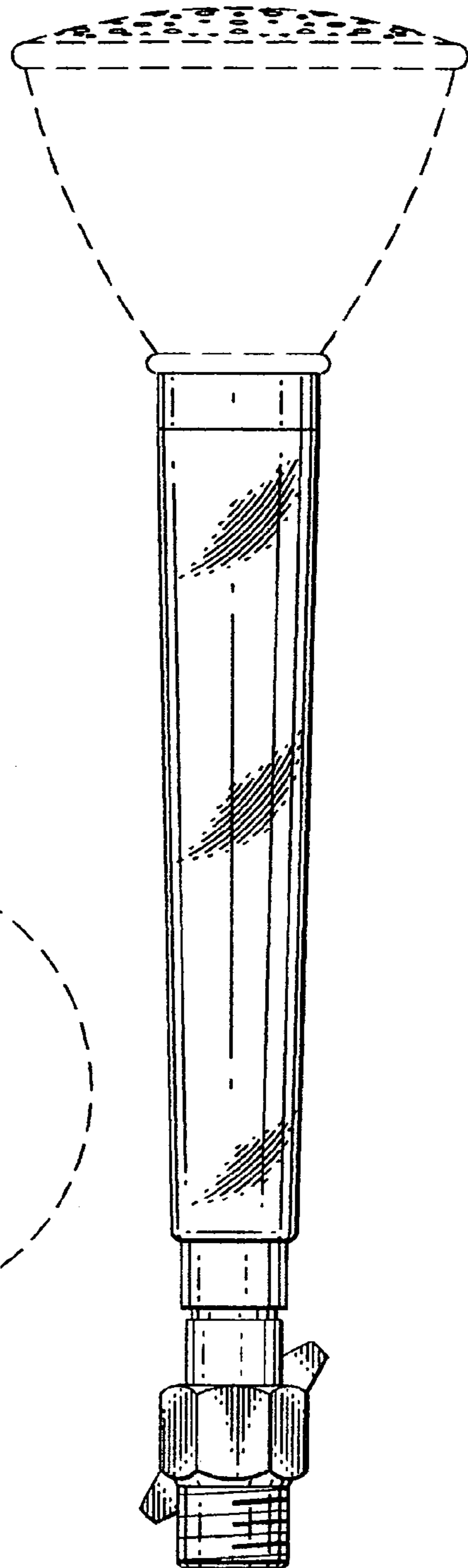


FIG. 6

