



US00D553705S

(12) **United States Design Patent**
Barouh

(10) **Patent No.:** **US D553,705 S**

(45) **Date of Patent:** **** Oct. 23, 2007**

(54) **COMBINATION EXTENDIBLE DIVOT TOOL AND GOLF BALL RETRIEVER**

(75) Inventor: **Victor Barouh**, Old Westbury, NY (US)

(73) Assignee: **Barouh Eaton Allen Corp.**, Brooklyn, NY (US)

(**) Term: **14 Years**

(21) Appl. No.: **29/266,137**

(22) Filed: **Sep. 15, 2006**

(51) **LOC (8) Cl.** **21-02**

(52) **U.S. Cl.** **D21/793; D21/721**

(58) **Field of Classification Search** D21/721, D21/789, 793; 473/286, 408; 135/16; 294/19.2
See application file for complete search history.

(56) **References Cited**

U.S. PATENT DOCUMENTS

1,380,526	A	6/1921	Carpenter	
1,723,091	A	8/1929	St. John	
1,756,141	A	4/1930	Spellmeyer	
3,763,515	A	10/1973	Voss	
4,674,747	A	6/1987	Mazzocco et al.	
D292,059	S *	9/1987	Heitfield D21/793 X
4,733,681	A *	3/1988	Lee 135/16

(Continued)

OTHER PUBLICATIONS

- U.S. Appl. No. 29/266,136, filed Sep. 15, 2006.
- U.S. Appl. No. 11/521,458, filed Sep. 15, 2006.
- U.S. Appl. No. 11/418,028, filed May 5, 2006.

Primary Examiner—Mitchell Siegel

(74) *Attorney, Agent, or Firm*—Dinesh Agarwal, P.C.

(57) **CLAIM**

The ornamental design for combination extendible divot tool and golf ball retriever, as shown and described.

DESCRIPTION

FIG. 1 is a perspective view of a combination extendible divot tool and golf ball retriever showing my new design, shown in an extended position;

FIG. 2 is a view similar to FIG. 1, showing the combination extendible divot tool and golf ball retriever in a retracted position;

FIG. 3 is a front elevational view of the combination extendible divot tool and golf ball retriever of FIG. 2;

FIG. 4 is a left side view of the combination extendible divot tool and golf ball retriever of FIG. 2, the right side view being a mirror image thereof;

FIG. 5 is a rear elevational view of the combination extendible divot tool and golf ball retriever of FIG. 2;

FIG. 6 is a bottom plan view of the combination extendible divot tool and golf ball retriever of FIG. 2;

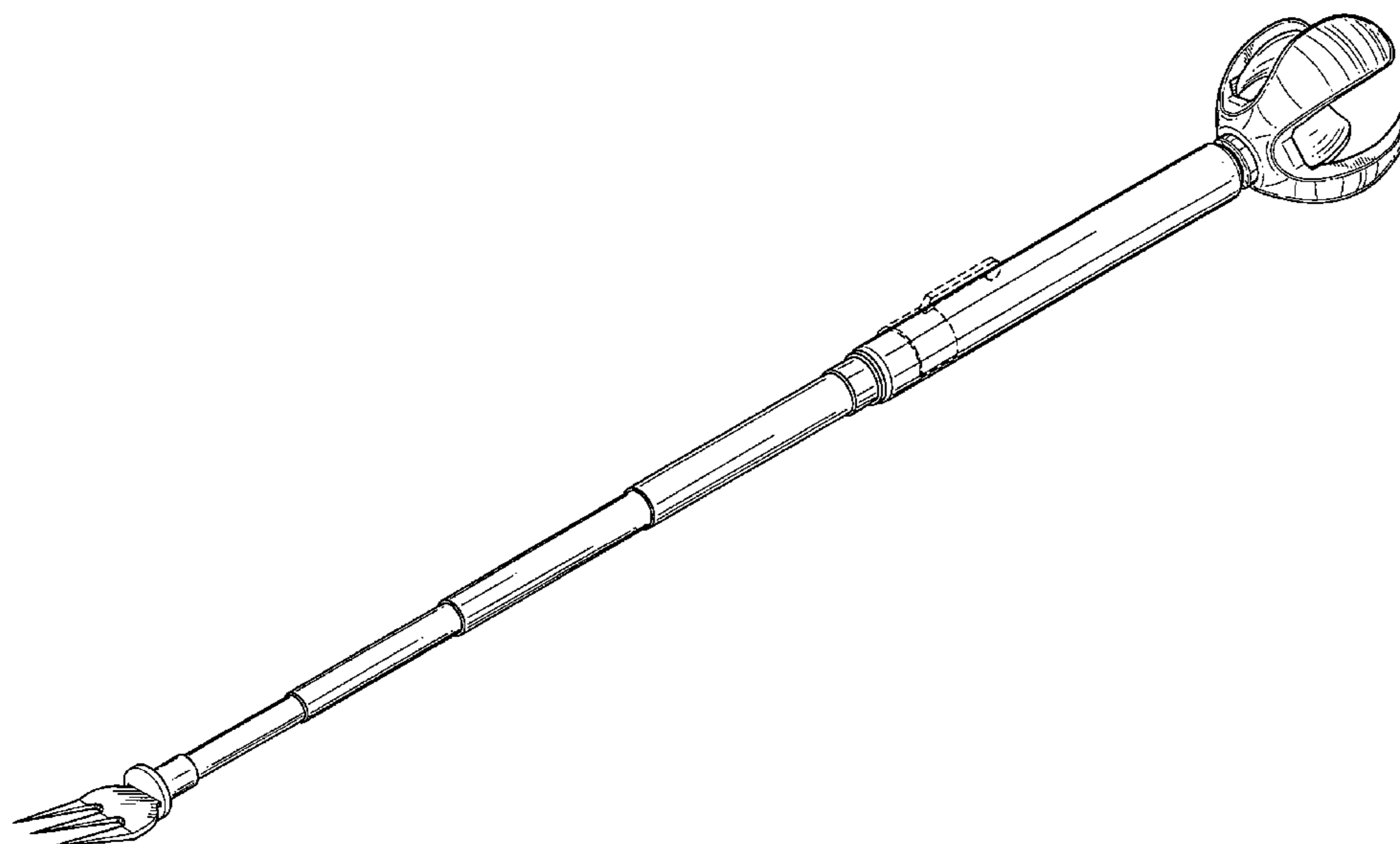
FIG. 7 is a top plan view of the combination extendible divot tool and golf ball retriever of FIG. 2;

FIG. 8 is a perspective view of the combination extendible divot tool and golf ball retriever of FIG. 1, showing the divot tool in use; and,

FIG. 9 is a perspective view of the combination extendible divot tool and golf ball retriever of FIG. 1, showing the golf ball retriever in use.

The matter shown in phantom lines in FIGS. 1–6 and 8–9 is for illustrative purposes only and forms no part of the claimed design.

1 Claim, 4 Drawing Sheets



US D553,705 S

Page 2

U.S. PATENT DOCUMENTS

4,787,632	A	11/1988	Nigrelli et al.				
D300,760	S	* 4/1989	Krokus, Sr.	D21/793			
5,328,174	A	7/1994	Reeder				
D390,903	S	* 2/1998	Fleming	D21/793			
5,765,647	A	6/1998	Hood				
D402,323	S	* 12/1998	Robbins et al.	D21/721			
D439,626	S	* 3/2001	Lindsey	D21/793			
D471,612	S	* 3/2003	Chandler	D21/793			
6,638,177	B1	10/2003	Wang				
D497,656	S	10/2004	Maraschiello				
D506,517	S	* 6/2005	Crippen	D21/721			
D529,976	S	* 10/2006	King	D21/793			
2001/0029213	A1	10/2001	Hendren				
2003/0083142	A1	5/2003	Nam				
2004/0023733	A1	2/2004	Tummillo				
2006/0229145	A1	10/2006	Dempsey				

* cited by examiner

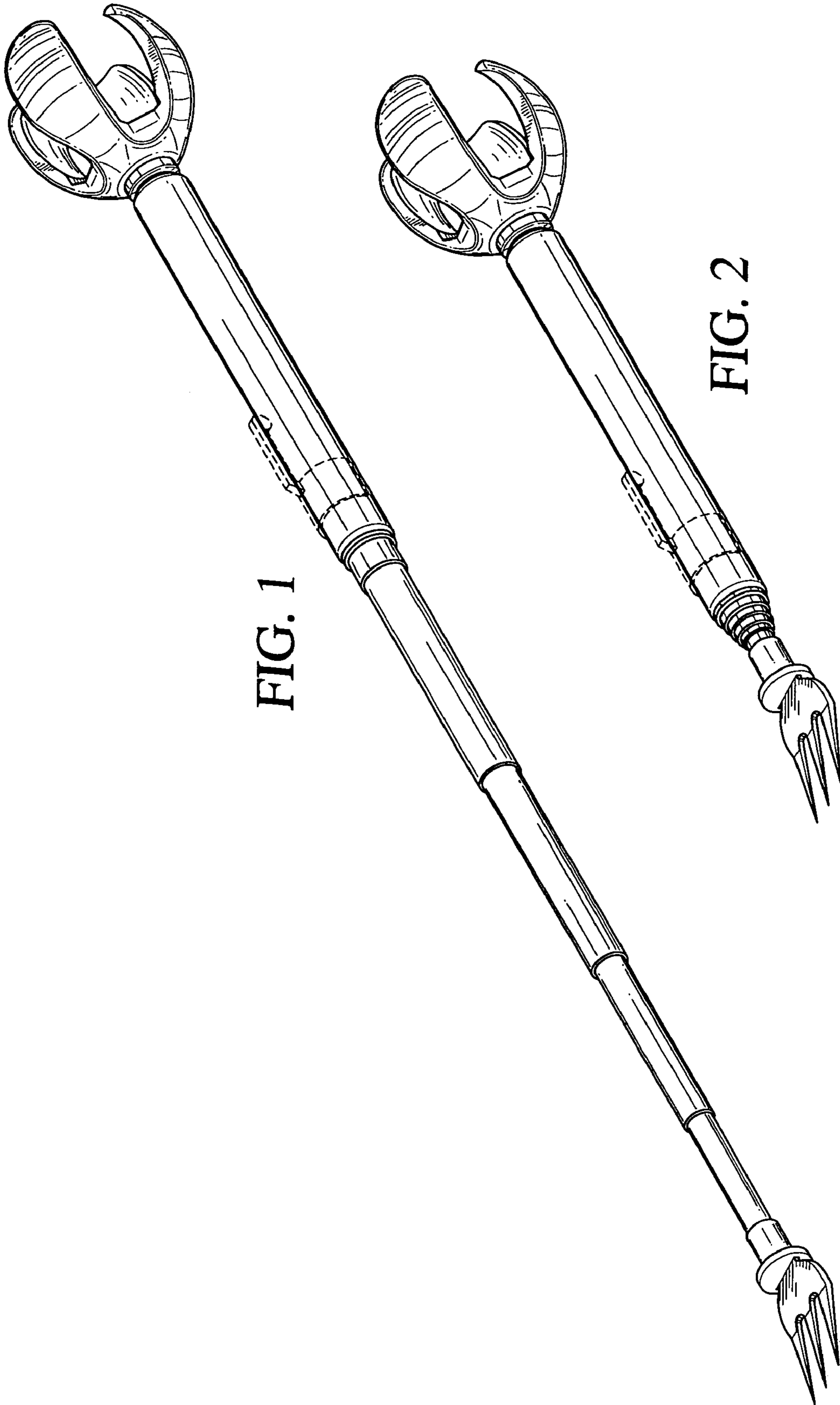
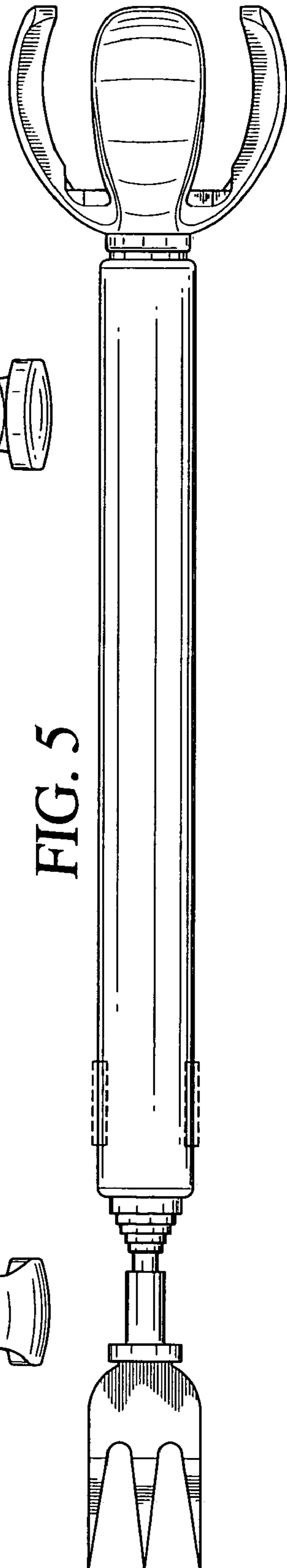
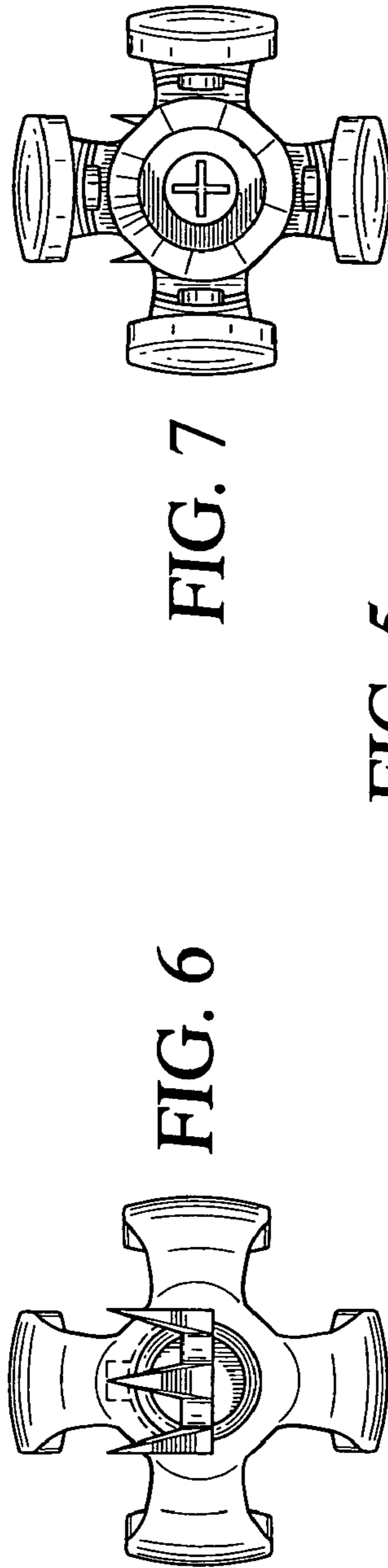
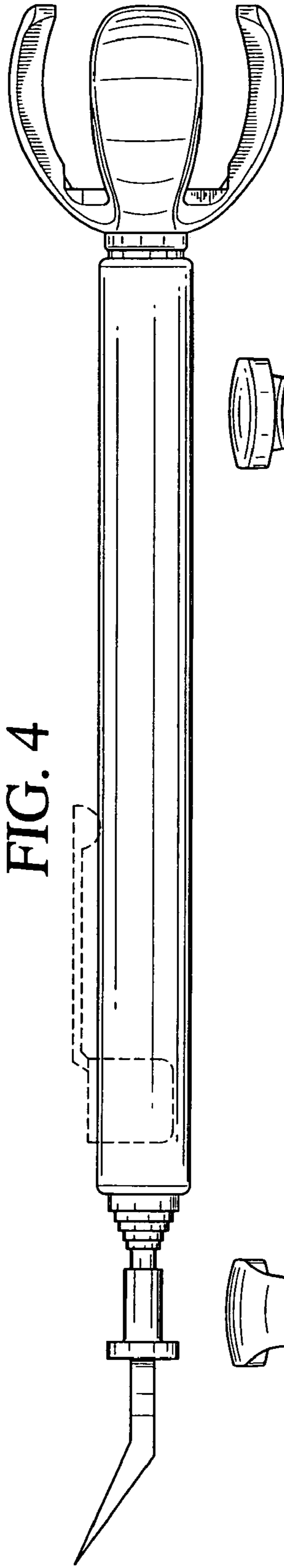
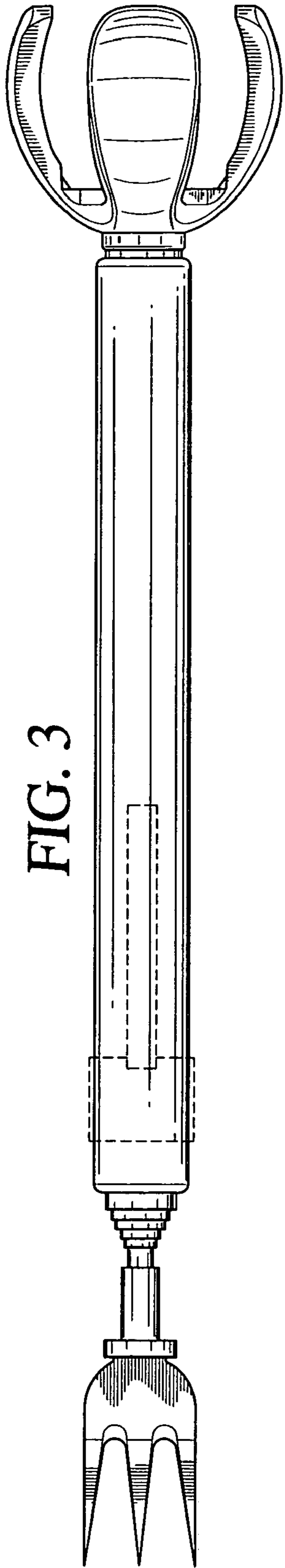


FIG. 1

FIG. 2



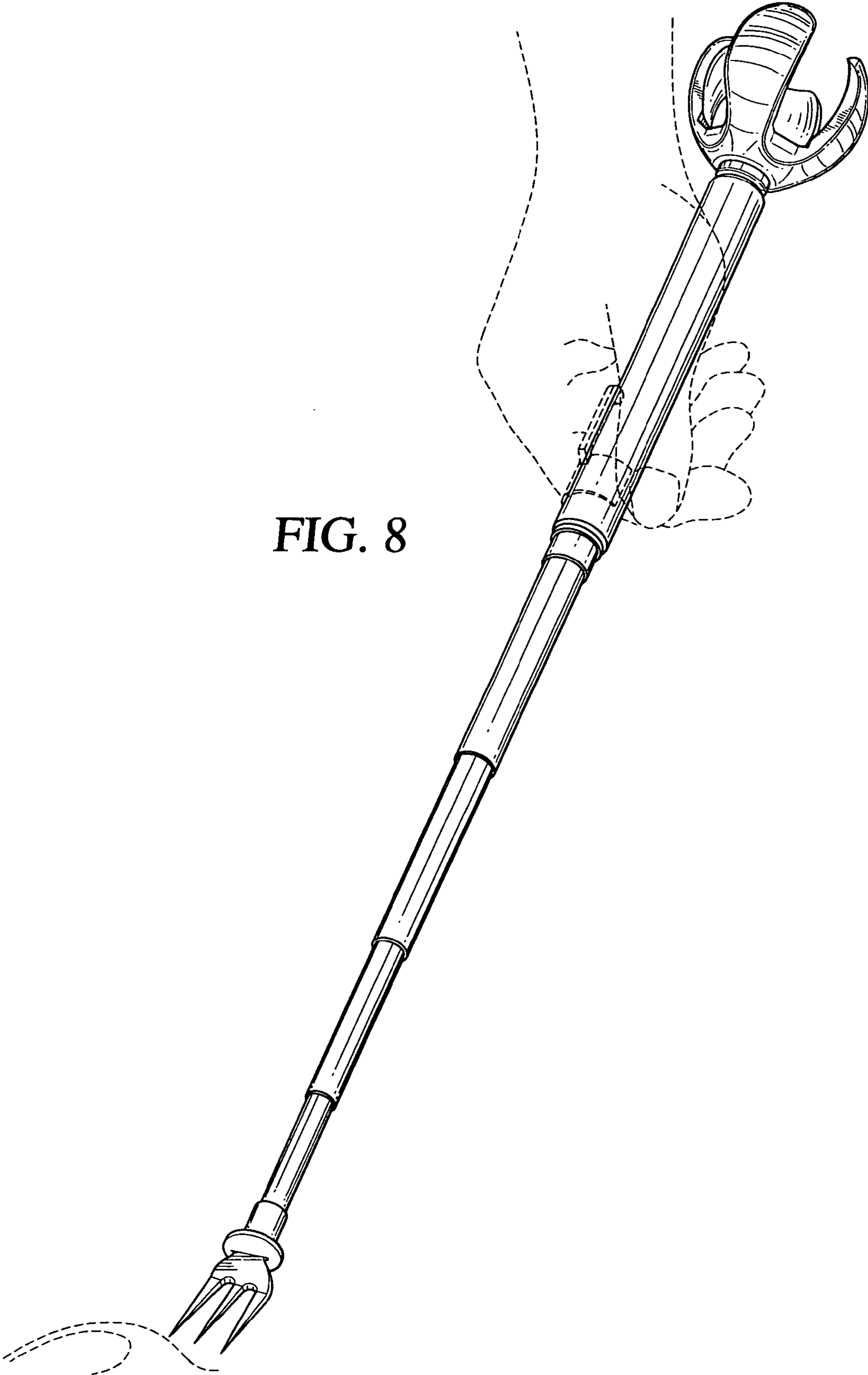


FIG. 8

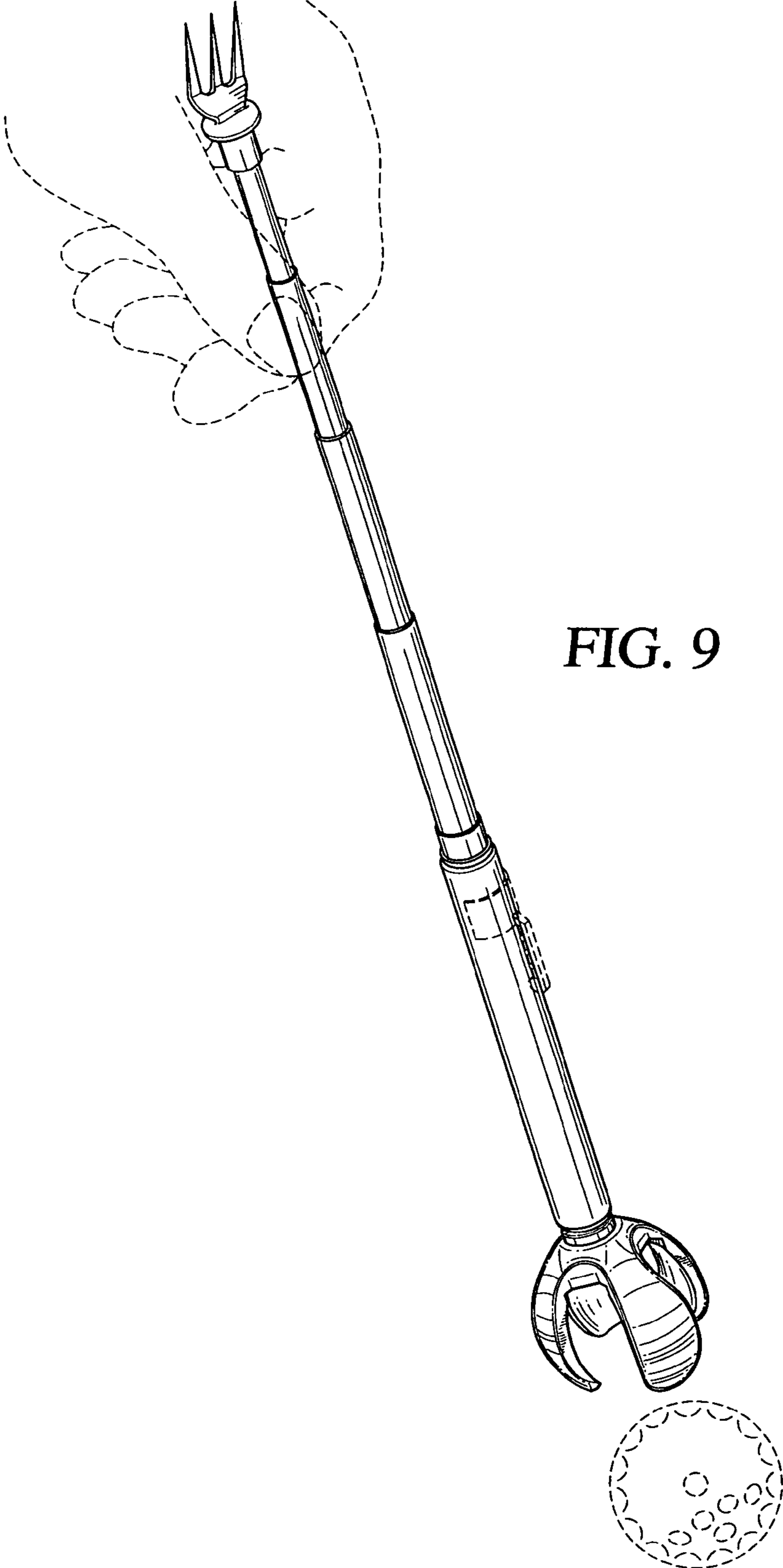


FIG. 9