



US00D553704S

(12) **United States Design Patent**
Nunez et al.

(10) **Patent No.:** **US D553,704 S**

(45) **Date of Patent:** **** Oct. 23, 2007**

(54) **GOLF CLUB HEAD**

(75) Inventors: **Robert Nunez**, San Pedro, CA (US);
Sherry L. Jones, Pataskala, OH (US);
Chad Alan Haas, Powell, OH (US);
Marni D. Ines, San Marcos, CA (US);
Jose Mirafior, Oceanside, CA (US);
Michael Walker, Vista, CA (US);
Maresala Milo, San Diego, CA (US);
Bret H. Wahl, Escondido, CA (US);
Craig Kevin Barez, Temecula, CA (US)

(73) Assignee: **Taylor Made Golf Company, Inc.**,
Carlsbad, CA (US)

(**) Term: **14 Years**

(21) Appl. No.: **29/267,327**

(22) Filed: **Oct. 10, 2006**

(51) **LOC (8) Cl.** **21-02**

(52) **U.S. Cl.** **D21/759**

(58) **Field of Classification Search** D21/747-751,
D21/759; 473/324-331, 350
See application file for complete search history.

(56) **References Cited**

U.S. PATENT DOCUMENTS

2,087,685 A * 7/1937 Hackney 473/350
D400,945 S * 11/1998 Gilbert et al. D21/753
D442,246 S * 5/2001 McCabe et al. D21/759
D445,157 S 7/2001 Jones et al.
D476,708 S 7/2003 Wahl et al.

D484,557 S * 12/2003 Lang et al. D21/747
D497,963 S * 11/2004 Toulon et al. D21/747
D512,757 S * 12/2005 Cleveland et al. D21/747
D539,863 S * 4/2007 Nunez et al. D21/748

* cited by examiner

Primary Examiner—Mitchell Siegel

(74) *Attorney, Agent, or Firm*—Klarquist Sparkman, LLP

(57) **CLAIM**

We claim the ornamental design for a golf club head, as shown and described.

DESCRIPTION

FIG. 1 is a perspective view of a golf club head, as viewed from the rear and one side thereof, according to one embodiment.

FIG. 2 is a rear elevation view of the golf club head of FIG. 1.

FIG. 3 is a top plan view of the golf club head of FIG. 1.

FIG. 4 is a front elevation view of the golf club head of FIG. 1.

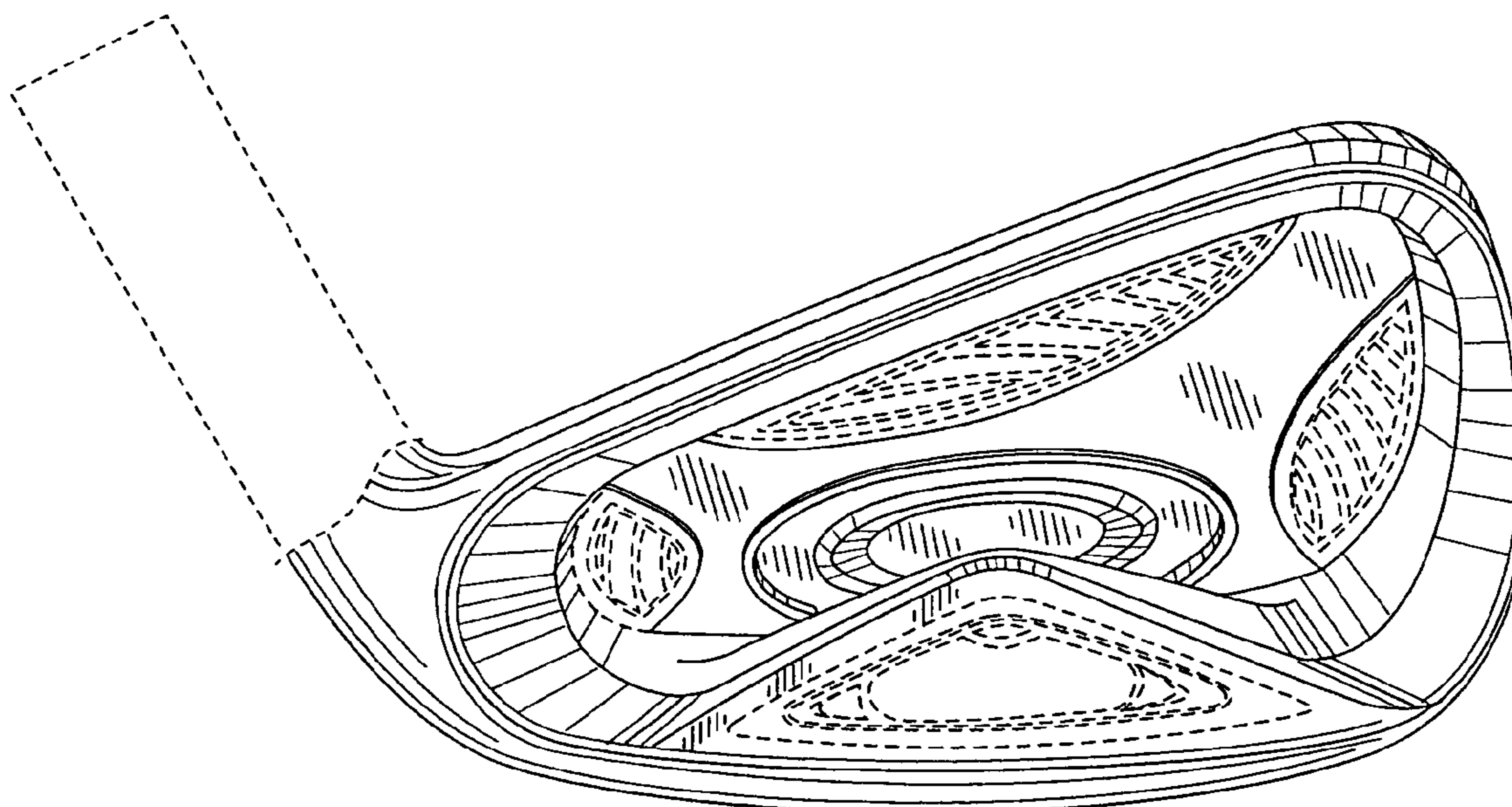
FIG. 5 is a bottom plan view of the golf club head of FIG. 1.

FIG. 6 is a side elevation view of the heel of the golf club head of FIG. 1; and,

FIG. 7 is a side elevation view of the toe of the golf club head of FIG. 1.

The dashed lines in the drawings are for illustrative purpose only and form no part of the claimed design.

1 Claim, 3 Drawing Sheets



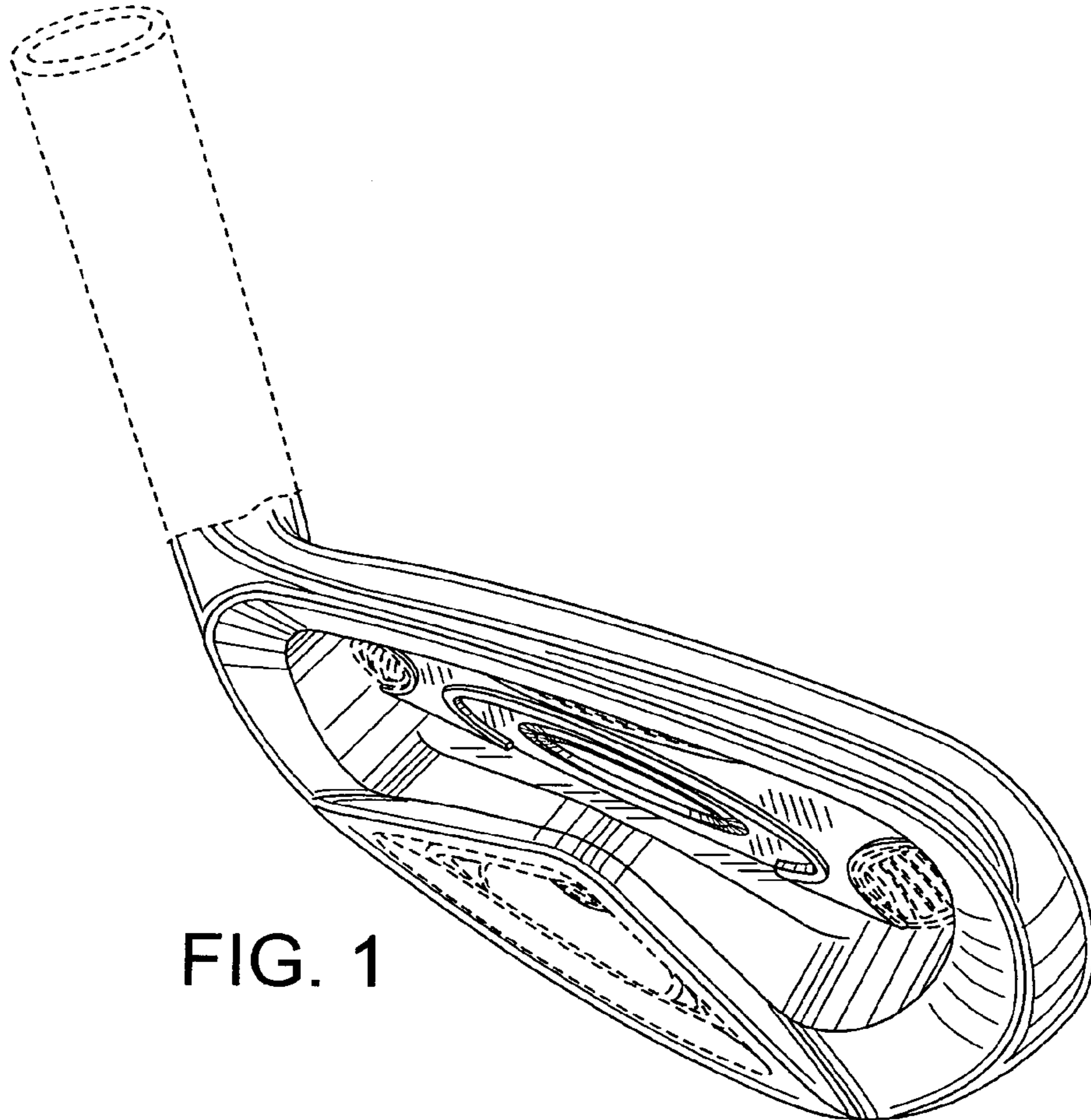


FIG. 1

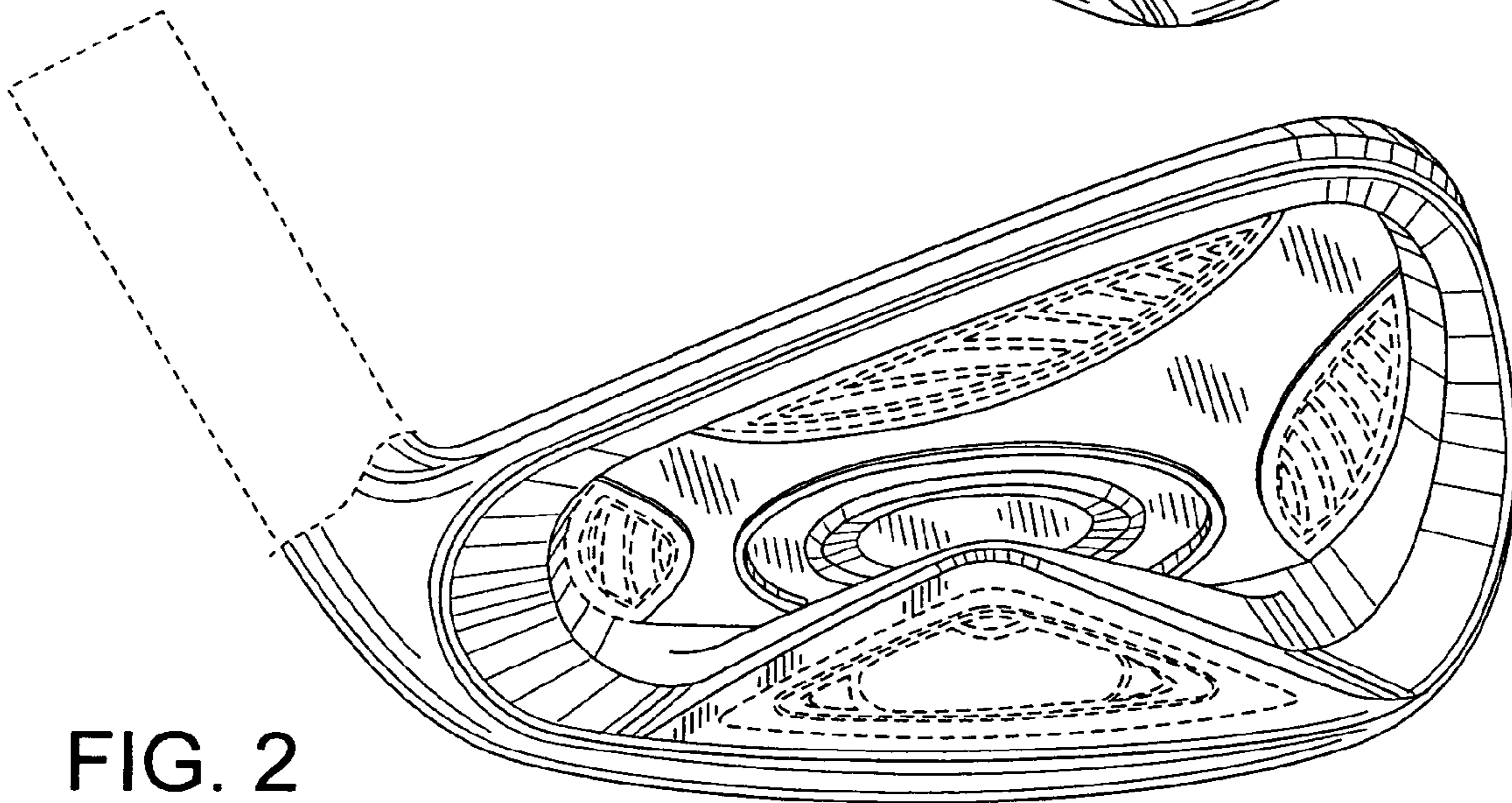


FIG. 2

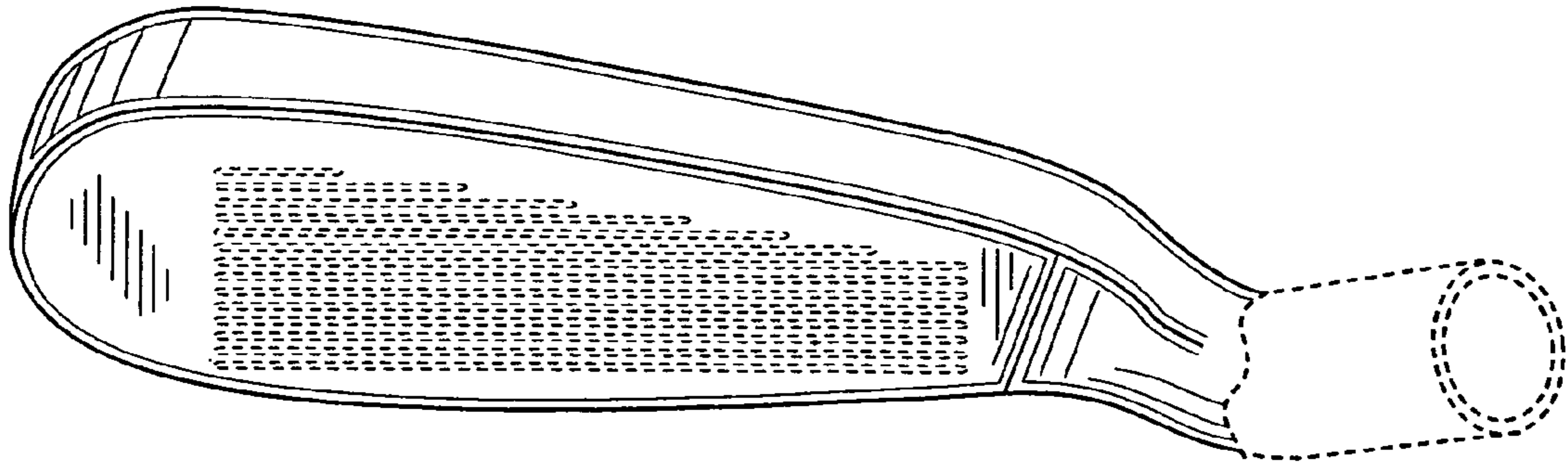


FIG. 3

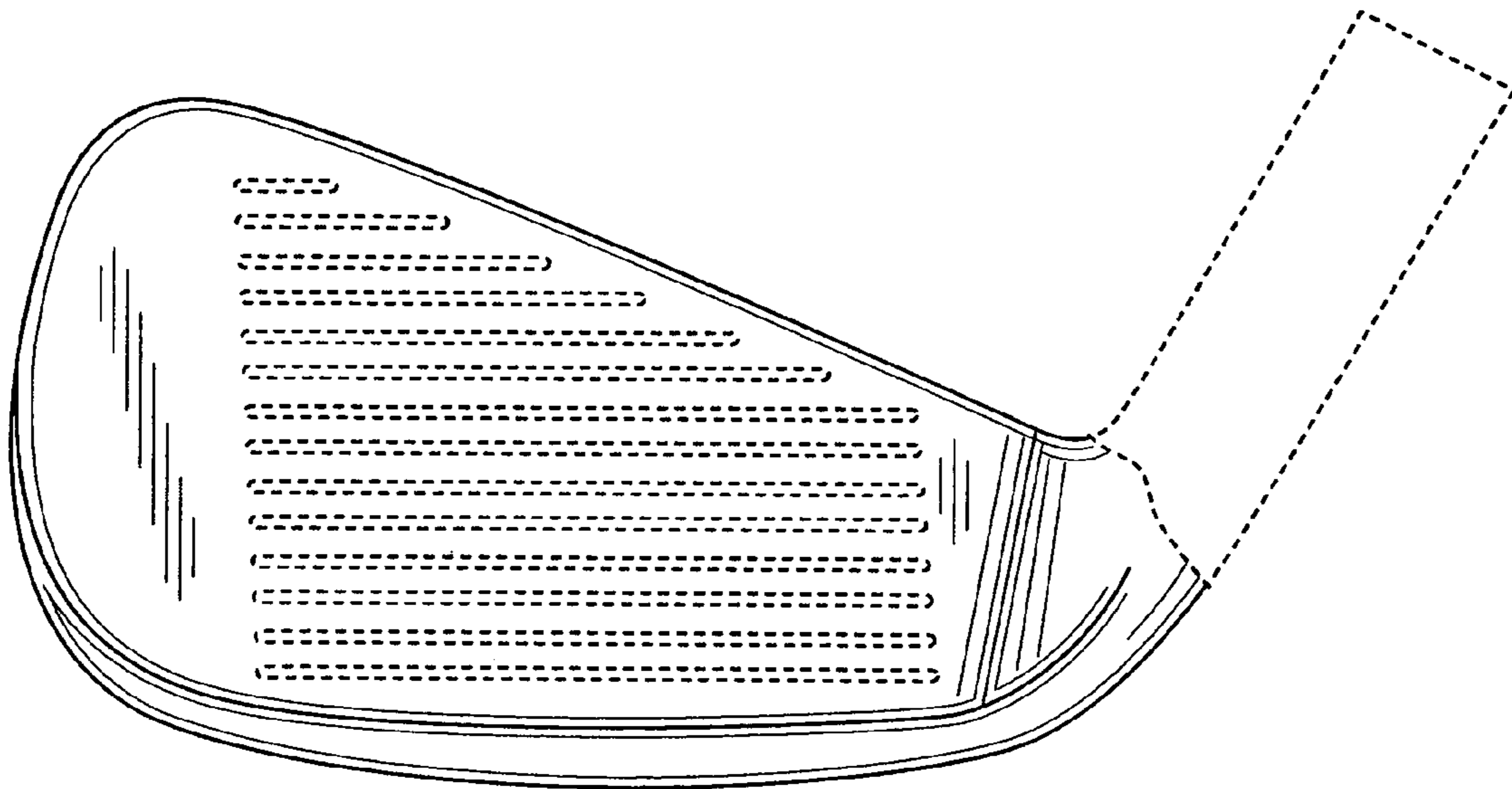


FIG. 4

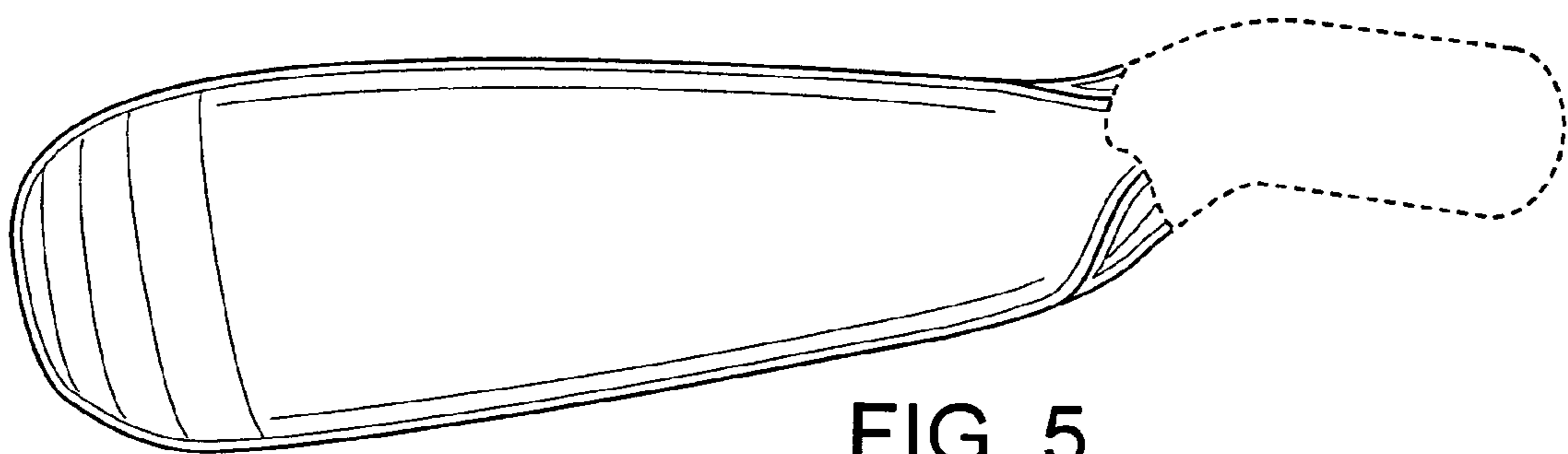


FIG. 5

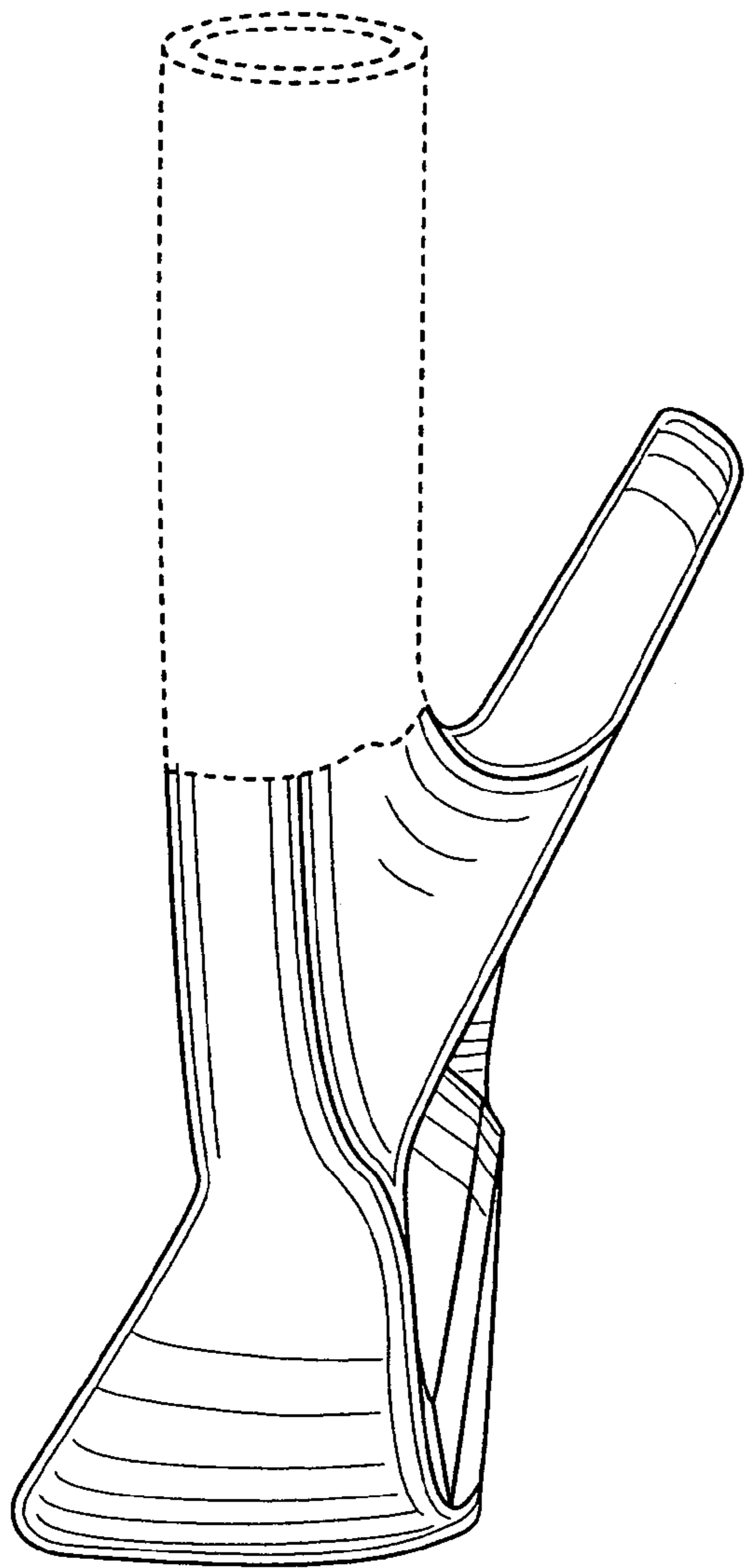


FIG. 6

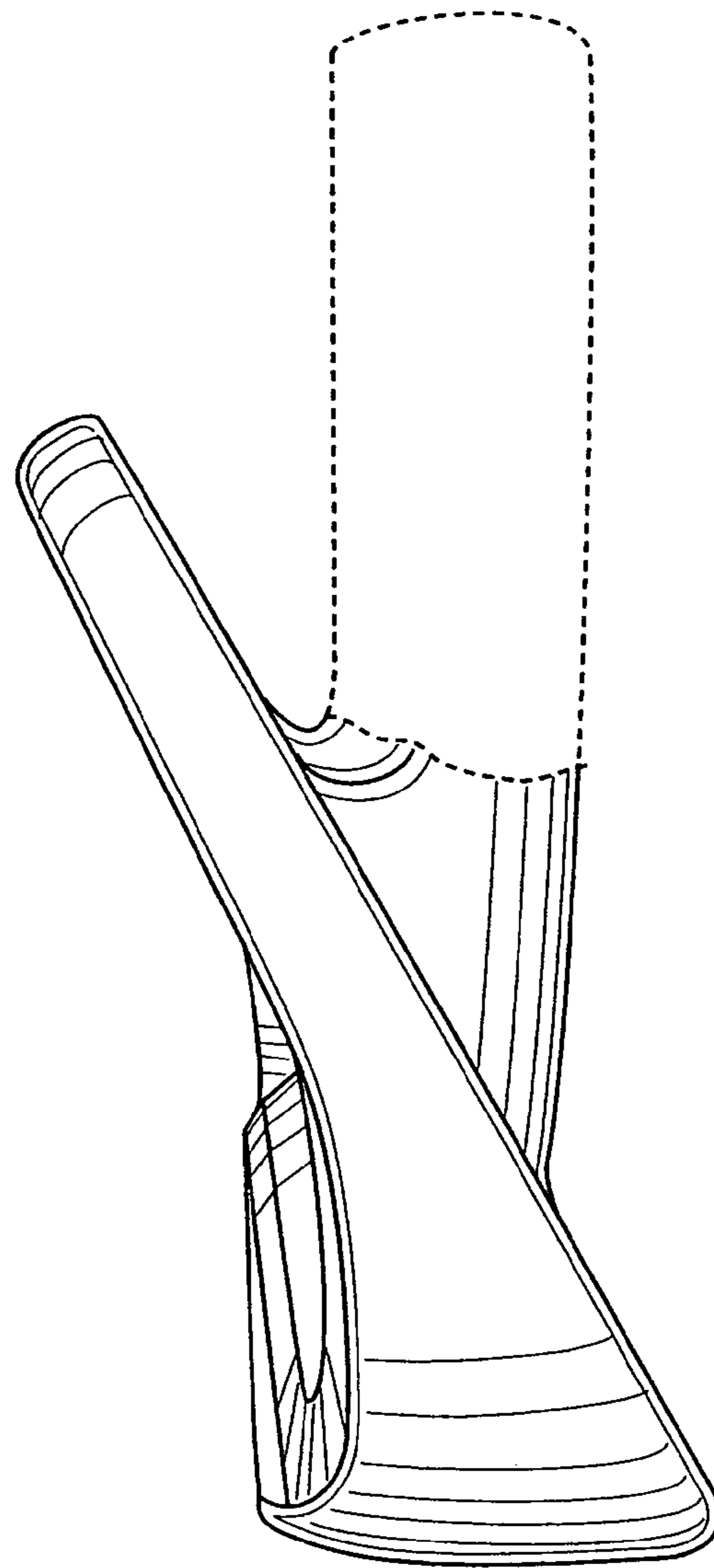


FIG. 7