



US00D553703S

(12) **United States Design Patent** (10) **Patent No.:** **US D553,703 S**
Hoffman et al. (45) **Date of Patent:** **** Oct. 23, 2007**

(54) **GOLD CLUB HEAD**

(75) Inventors: **Joseph Henry Hoffman**, Carlsbad, CA (US); **Allan Capili Saliba**, Oceanside, CA (US); **Todd P. Beach**, San Diego, CA (US); **Robert Nunez**, San Pedro, CA (US); **Craig Kevin Barez**, Temecula, CA (US); **Thomas Olsavsky**, Oceanside, CA (US); **Sean Toulon**, Vista, CA (US)

(73) Assignee: **Taylor Made Golf Company, Inc.**, Carlsbad, CA (US)

(**) Term: **14 Years**

(21) Appl. No.: **29/266,756**

(22) Filed: **Sep. 26, 2006**

(51) **LOC (8) Cl.** **21-02**

(52) **U.S. Cl.** **D21/759**

(58) **Field of Classification Search** D21/733,
D21/752, 759; 473/324-331, 343-346
See application file for complete search history.

(56) **References Cited**

U.S. PATENT DOCUMENTS

D247,922 S	5/1978	Sheldon	
D469,141 S	1/2003	Poynor et al.	
D479,867 S	9/2003	Saliba et al.	
D482,093 S	11/2003	Imamoto	
D499,158 S	11/2004	Imamoto	
D501,235 S	1/2005	Imamoto	
D513,051 S	12/2005	Barez et al.	
D514,185 S	1/2006	Barez et al.	
D516,652 S	3/2006	Barez et al.	
D518,129 S	3/2006	Poynor et al.	
D519,177 S	4/2006	Barez et al.	
D519,589 S	4/2006	Barez et al.	
D521,091 S	5/2006	Mahaffey et al.	
D534,229 S	12/2006	Barez et al.	
D534,598 S *	1/2007	Barez et al.	D21/752

D535,713 S *	1/2007	Barez et al.	D21/752
D537,497 S *	2/2007	Hoffman et al.	D21/752
D542,367 S *	5/2007	Hoffman et al.	D21/759
D543,254 S *	5/2007	Barez et al.	D21/759
D543,602 S *	5/2007	Hoffman et al.	D21/759
D545,389 S *	6/2007	Glod	D21/759

OTHER PUBLICATIONS

“r5 Dual TI Fairway Woods,” TaylorMade 2005 Catalog #35767001, p. 10 (2005).

“r7 Fairway Woods,” TaylorMade 2005 Catalog #88357101, 3 pp. (2005).

* cited by examiner

Primary Examiner—Mitchell Siegel

(74) *Attorney, Agent, or Firm*—Klarquist Sparkman, LLP

(57) **CLAIM**

We claim the ornamental design for a golf club head, as shown and described.

DESCRIPTION

FIG. 1 is a perspective view of a golf club head, as viewed from the rear, bottom and one side thereof, according to one embodiment.

FIG. 2 is a bottom plan view of the golf club head of FIG. 1.

FIG. 3 is a side elevation view of the heel of the golf club head of FIG. 1.

FIG. 4 is a side elevation view of the toe of the golf club head of FIG. 1.

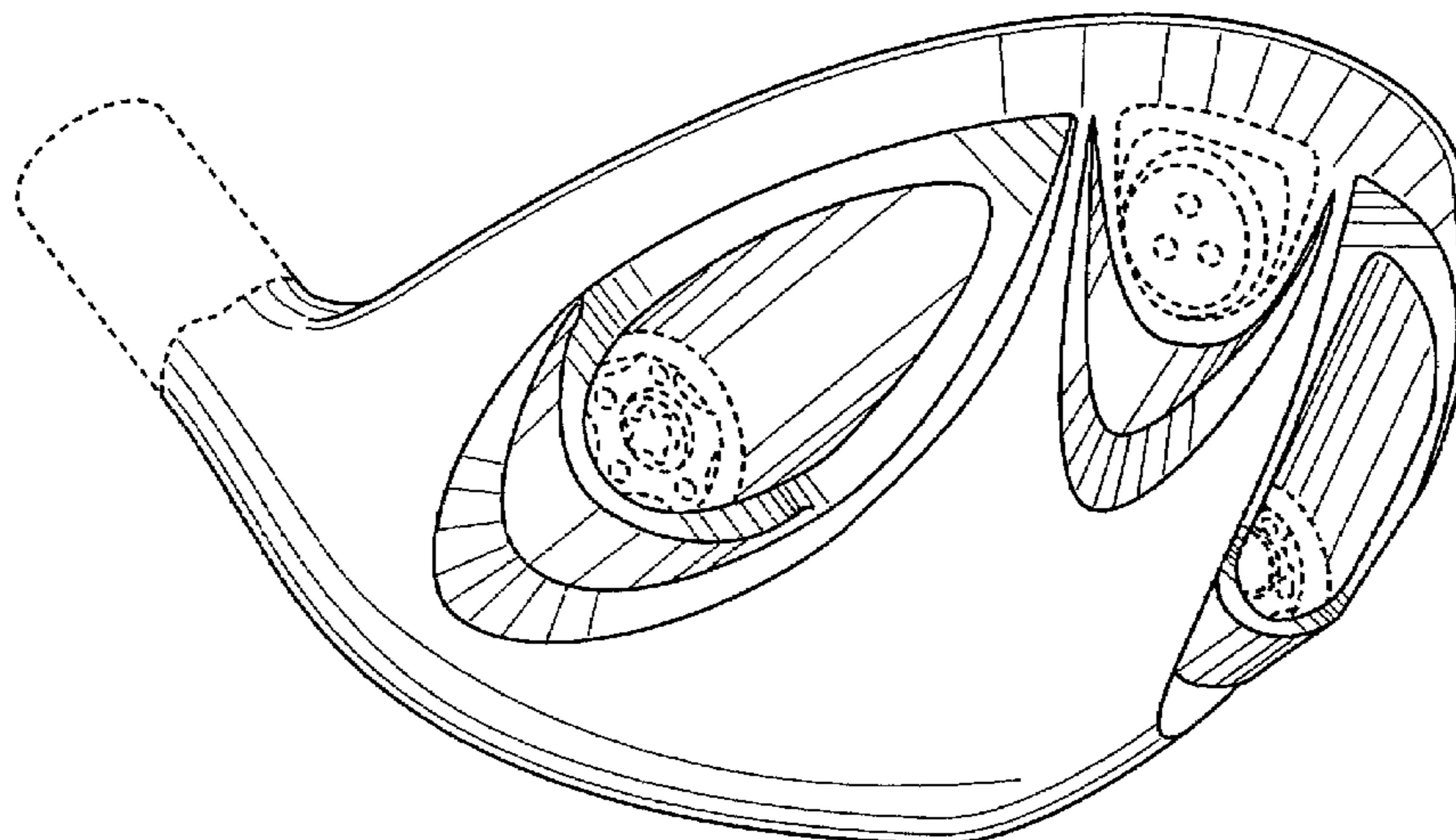
FIG. 5 is a front elevation view of the golf club head of FIG. 1.

FIG. 6 is a top plan view of the golf club head of FIG. 1; and,

FIG. 7 is a rear elevation view of the golf club head of FIG. 1.

The dashed lines in the drawings are for illustrative purpose only and form no part of the claimed design.

1 Claim, 4 Drawing Sheets



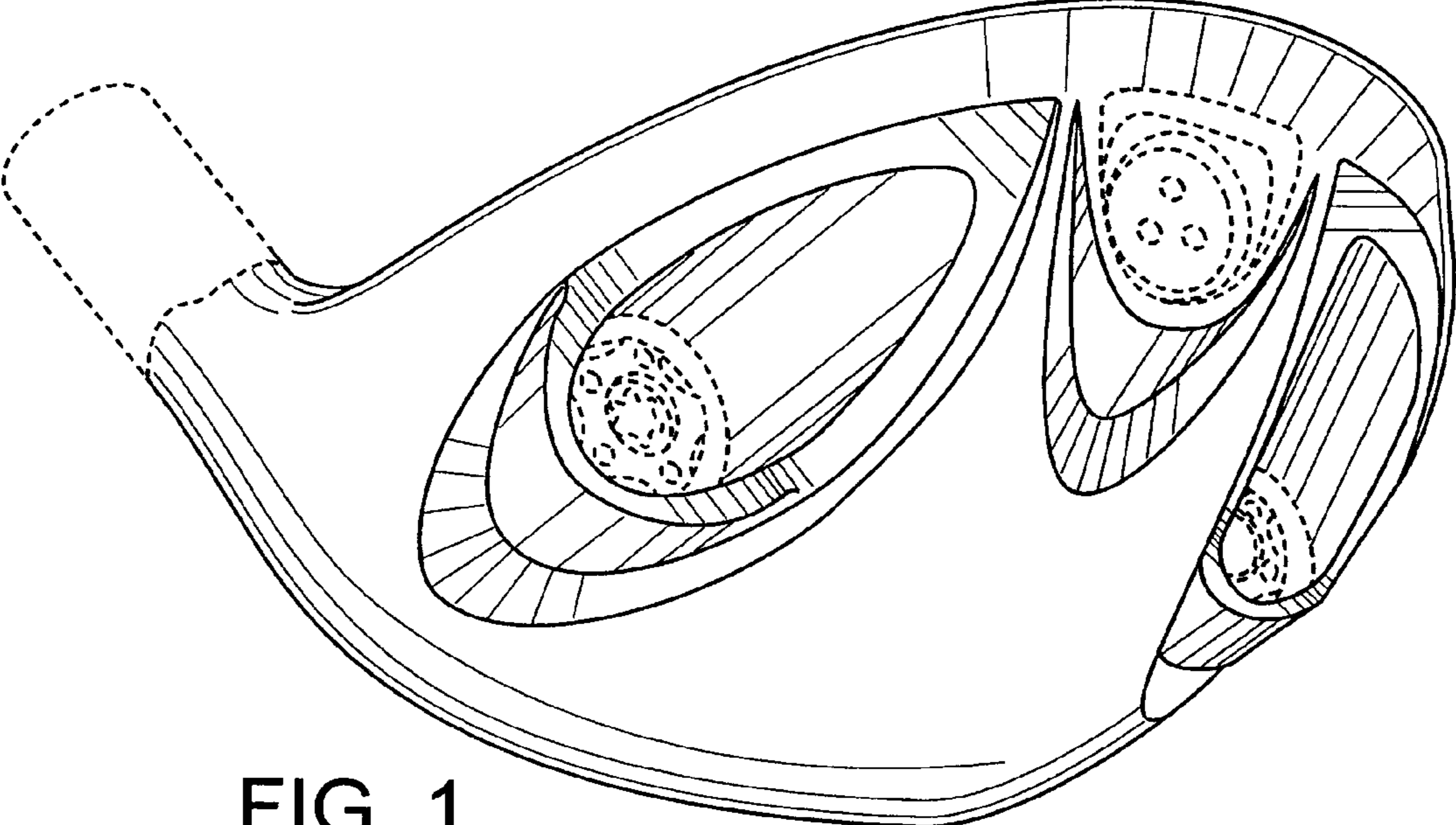


FIG. 1

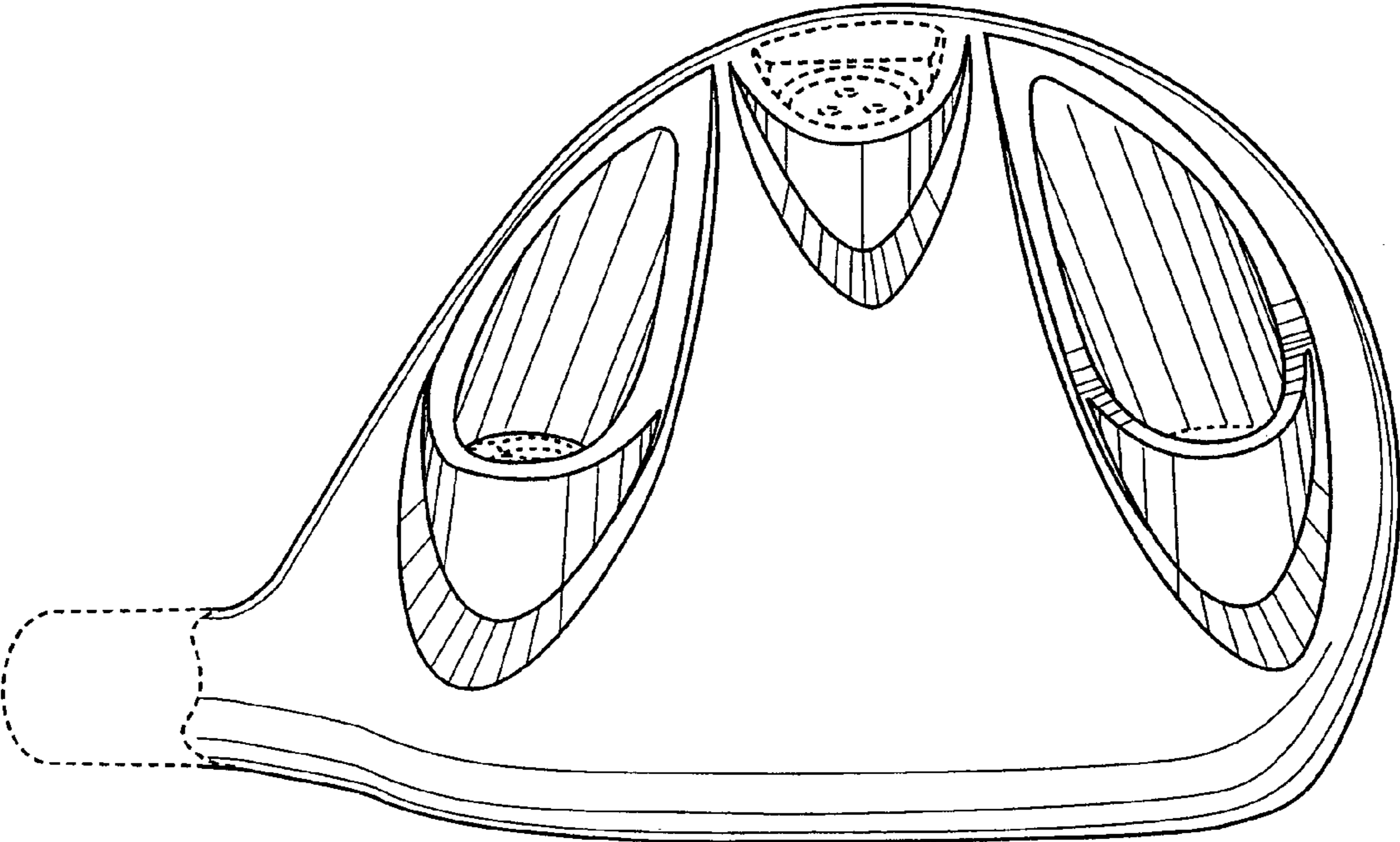


FIG. 2

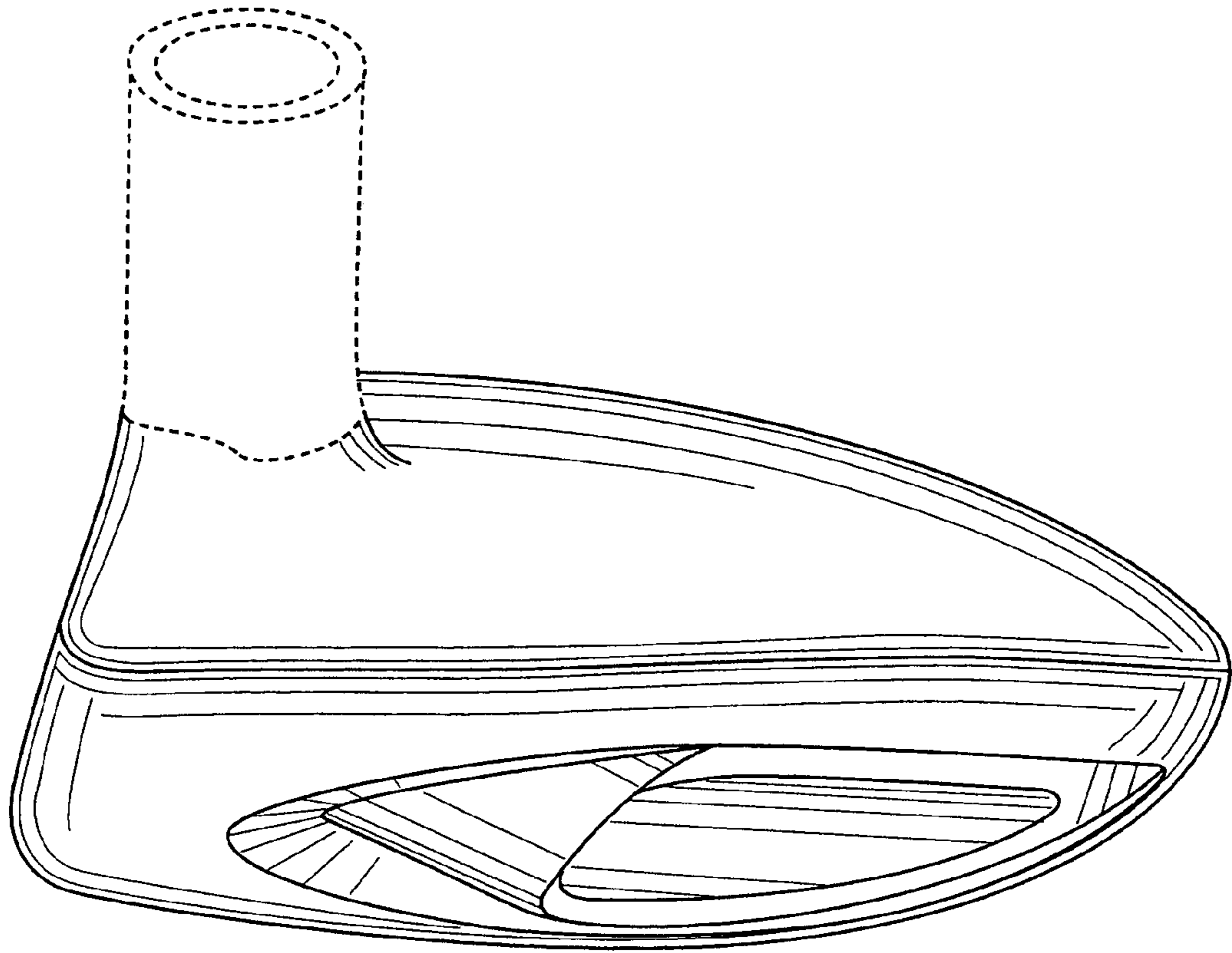


FIG. 3

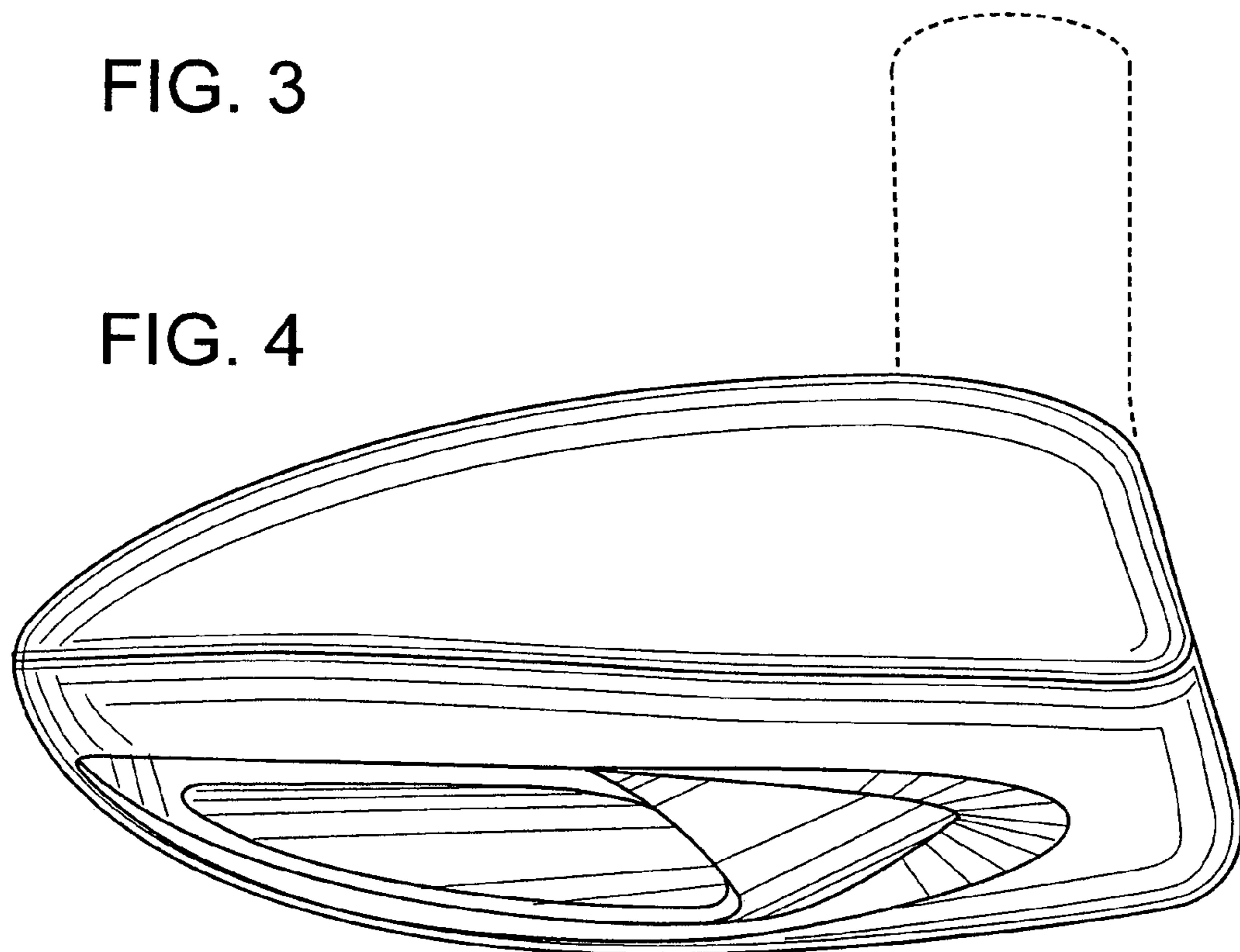


FIG. 4

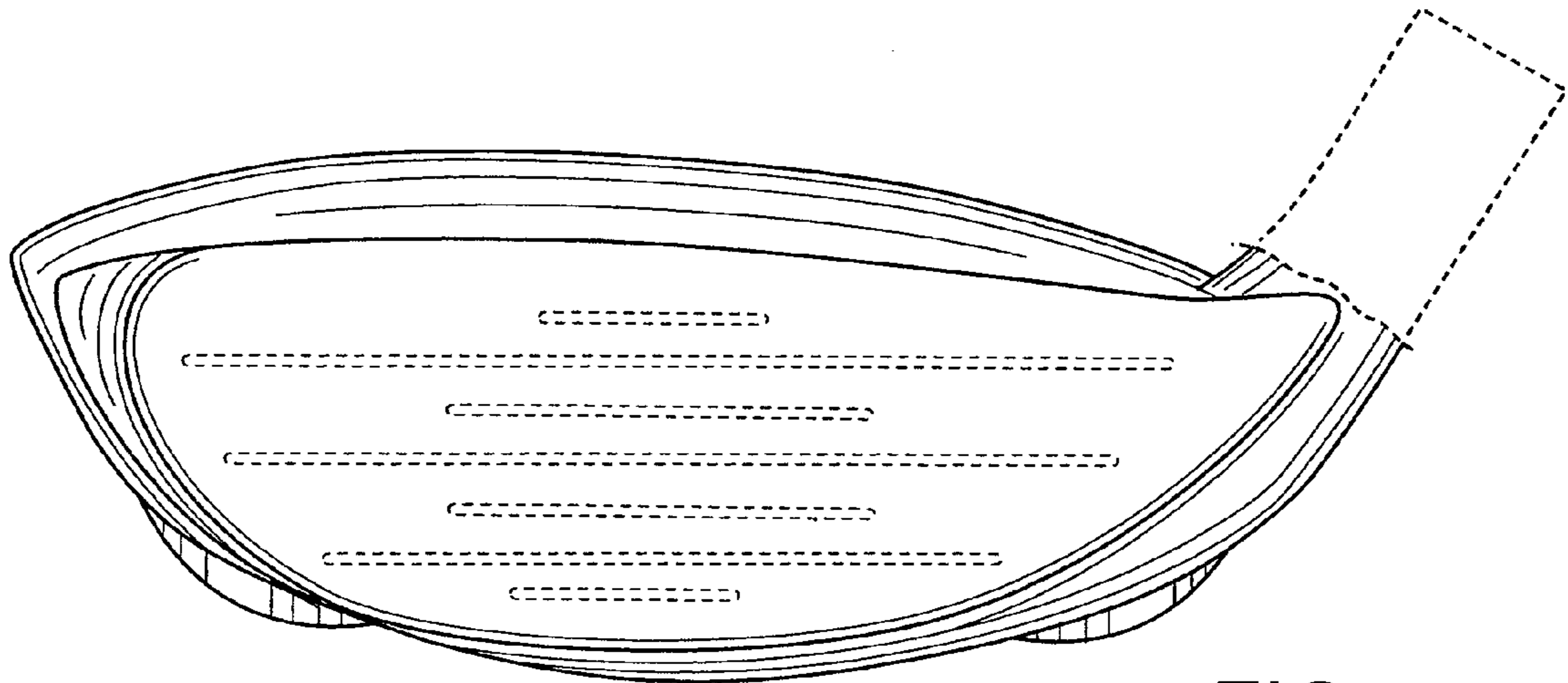


FIG. 5

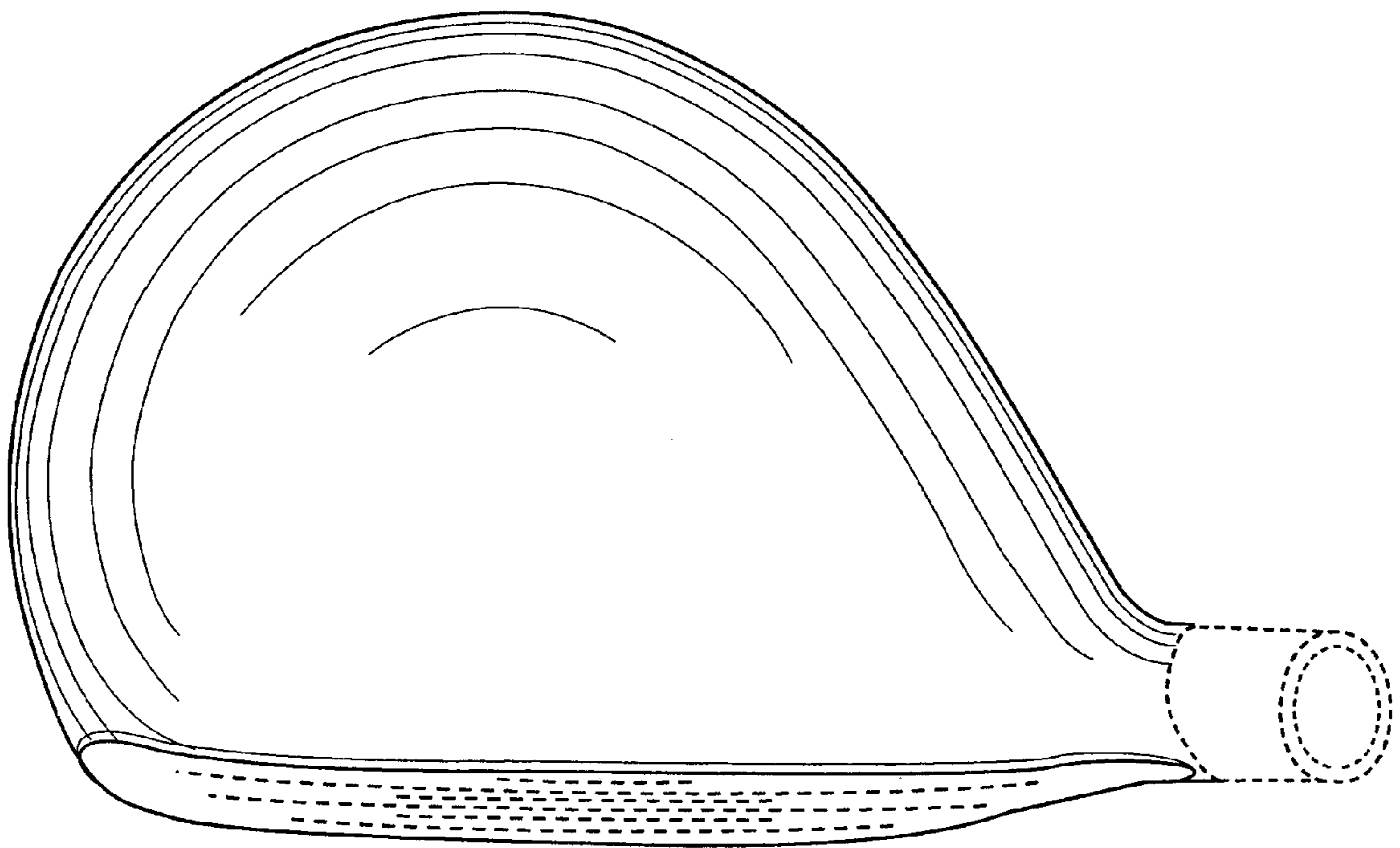


FIG. 6

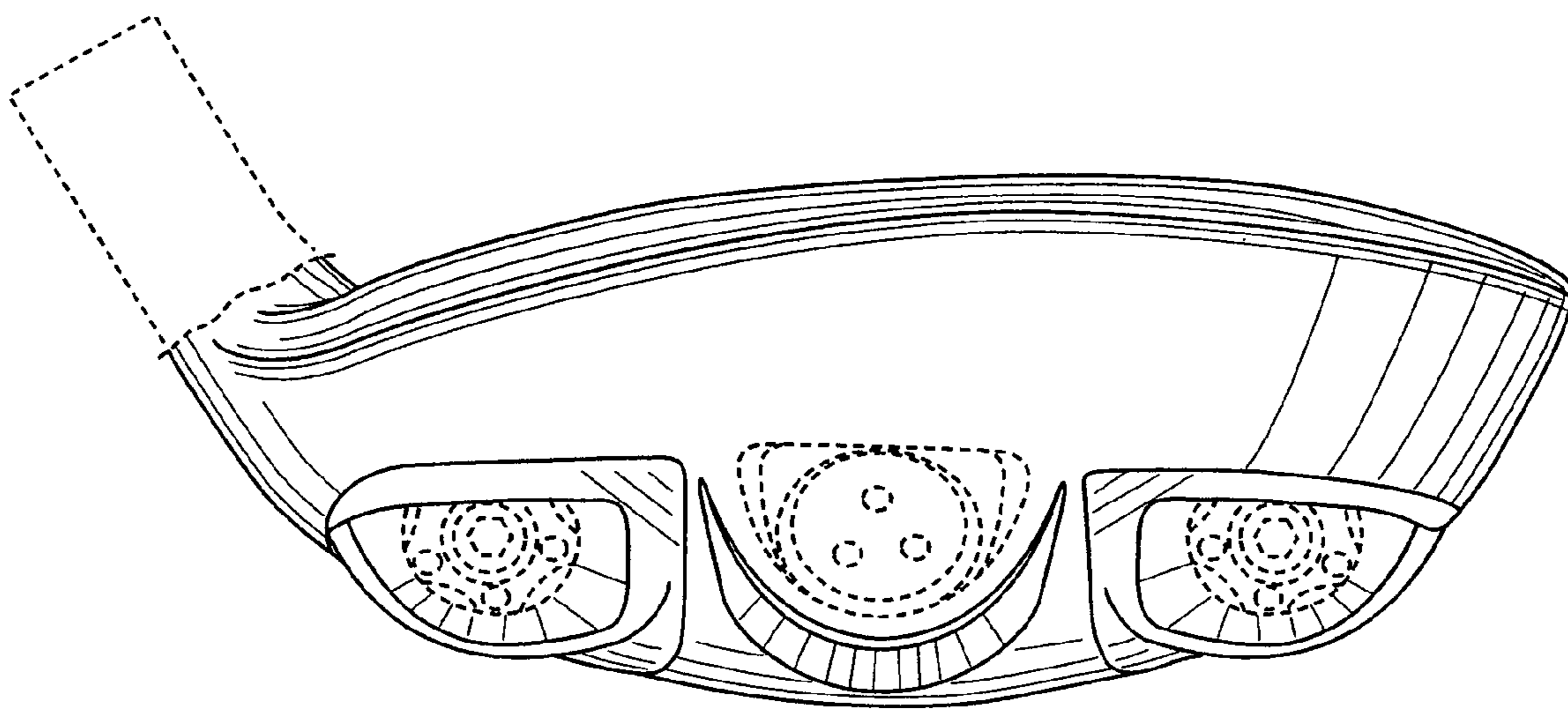


FIG. 7