



US00D553698S

(12) **United States Design Patent**  
**Pyles et al.**

(10) **Patent No.: US D553,698 S**

(45) **Date of Patent: \*\* Oct. 23, 2007**

(54) **STATIONARY EXERCISER**

D521,085 S \* 5/2006 Kuo ..... D21/666  
D539,857 S \* 4/2007 Bingham et al. .... D21/697

(75) Inventors: **Nathan Pyles**, Lake Mill, WI (US);  
**Derek Nelson**, Lake Mill, WI (US);  
**Yong-Fa Wang**, Taichung Hsien (TW)

**OTHER PUBLICATIONS**

Printout from Google Image search for Recumbent exercise bike.\*

(73) Assignee: **Johnson Tech. Co., Ltd.**, Taichung  
Hsien (TW)

\* cited by examiner

(\*\*) Term: **14 Years**

*Primary Examiner*—Philip S. Hyder

(21) Appl. No.: **29/246,497**

(74) *Attorney, Agent, or Firm*—Akin Gump Strauss Hauer &  
Feld LLP

(22) Filed: **Apr. 19, 2006**

(57) **CLAIM**

(51) **LOC (8) Cl.** ..... **21-02**

The ornamental design for stationary exerciser, as shown  
and described.

(52) **U.S. Cl.** ..... **D21/697; D21/666**

**DESCRIPTION**

(58) **Field of Classification Search** ..... D21/662,  
D21/663, 664, 665, 666, 667, 668, 670, 694,  
D21/697; 482/51, 57, 58, 59

FIG. 1 is a perspective view of stationary exerciser showing  
my new design;

See application file for complete search history.

FIG. 2 is a front elevational view thereof;

(56) **References Cited**

FIG. 3 is a rear elevational view thereof;

**U.S. PATENT DOCUMENTS**

FIG. 4 is a left side elevational view thereof;

D320,826 S \* 10/1991 Hildebrandt et al. .... D21/666

FIG. 5 is a right side elevational view thereof; and,

D362,699 S \* 9/1995 Heaton et al. .... D21/666

FIG. 6 is a top plan view thereof.

D437,369 S \* 2/2001 Tsushi ..... D21/666

The phantom line showing environment is for illustrative  
purposes only and forms no part of the claimed design.

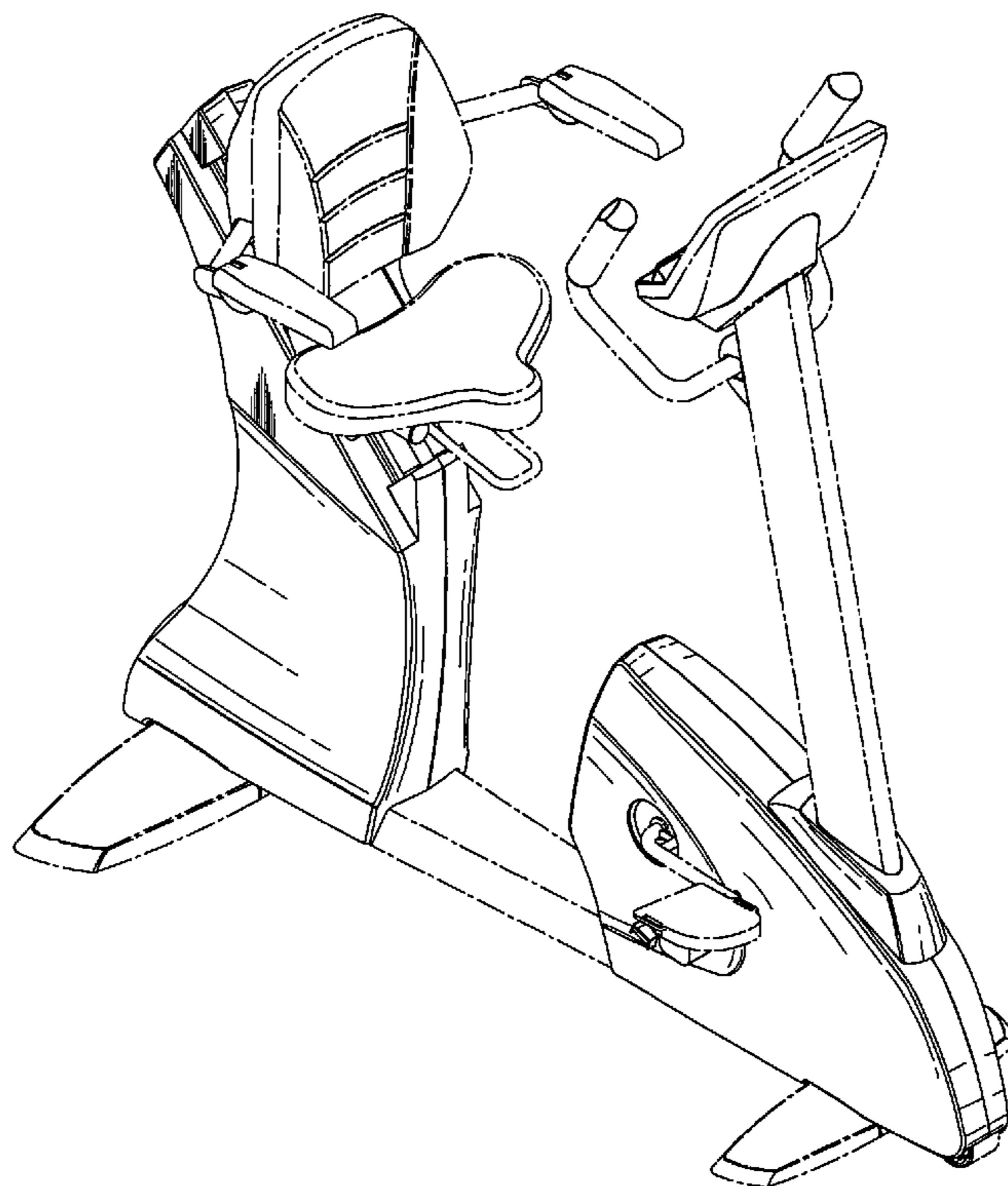
D439,289 S \* 3/2001 Moran et al. .... D21/666

**1 Claim, 6 Drawing Sheets**

D461,210 S \* 8/2002 Fon ..... D21/666

D479,865 S \* 9/2003 Arai et al. .... D21/666

D515,152 S \* 2/2006 Corbalis et al. .... D21/666



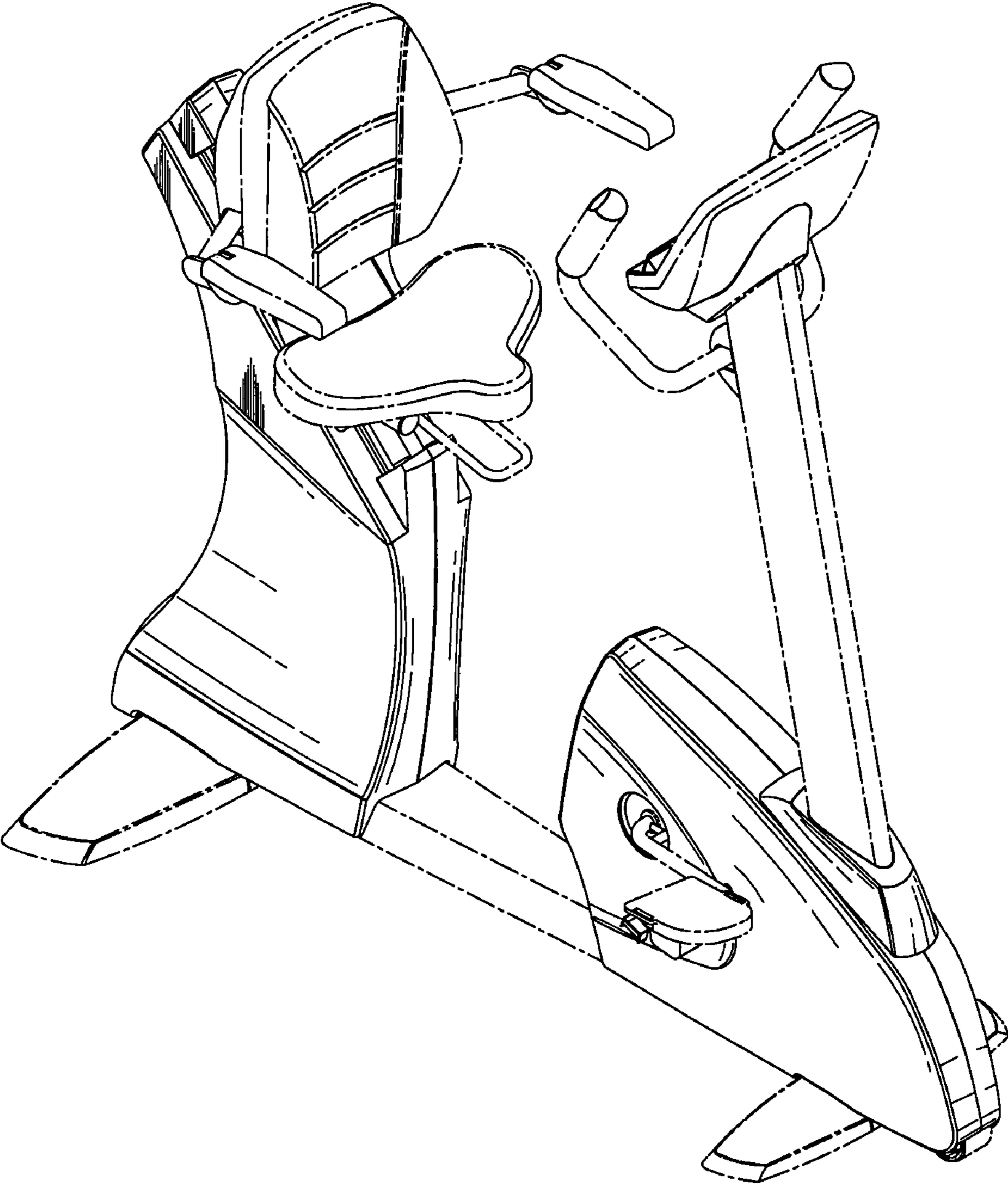


FIG. 1

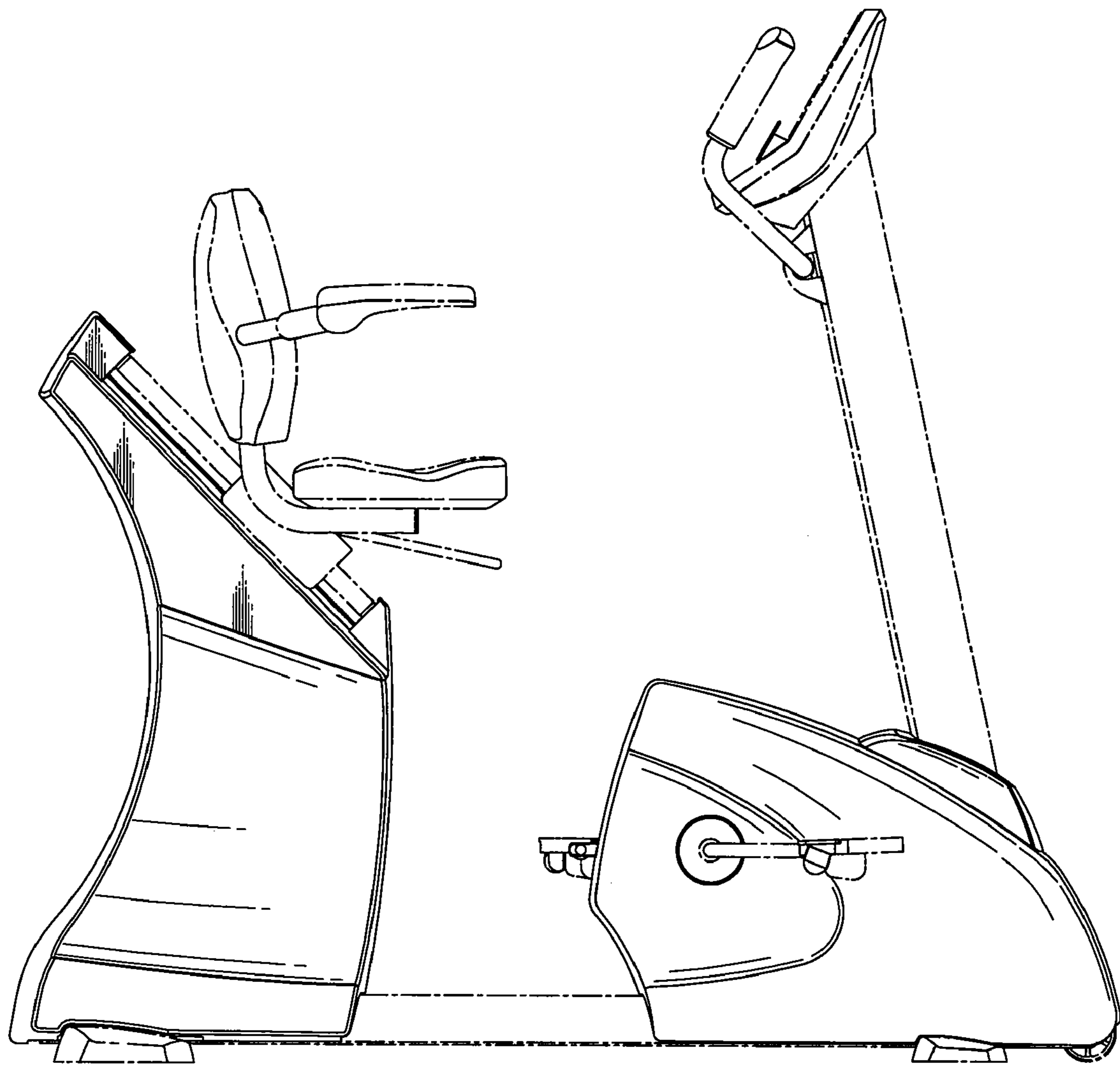


FIG. 2

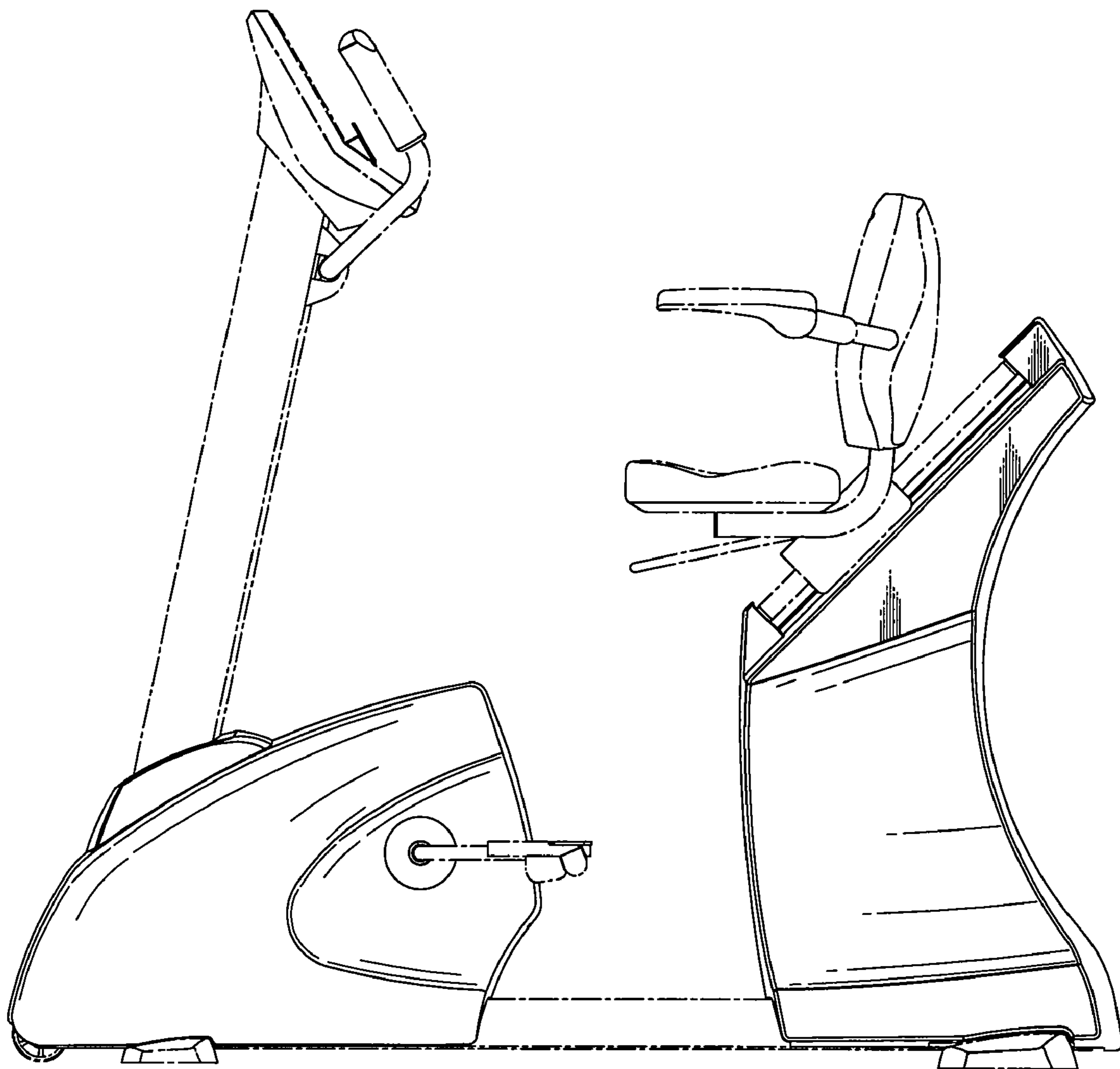


FIG. 3

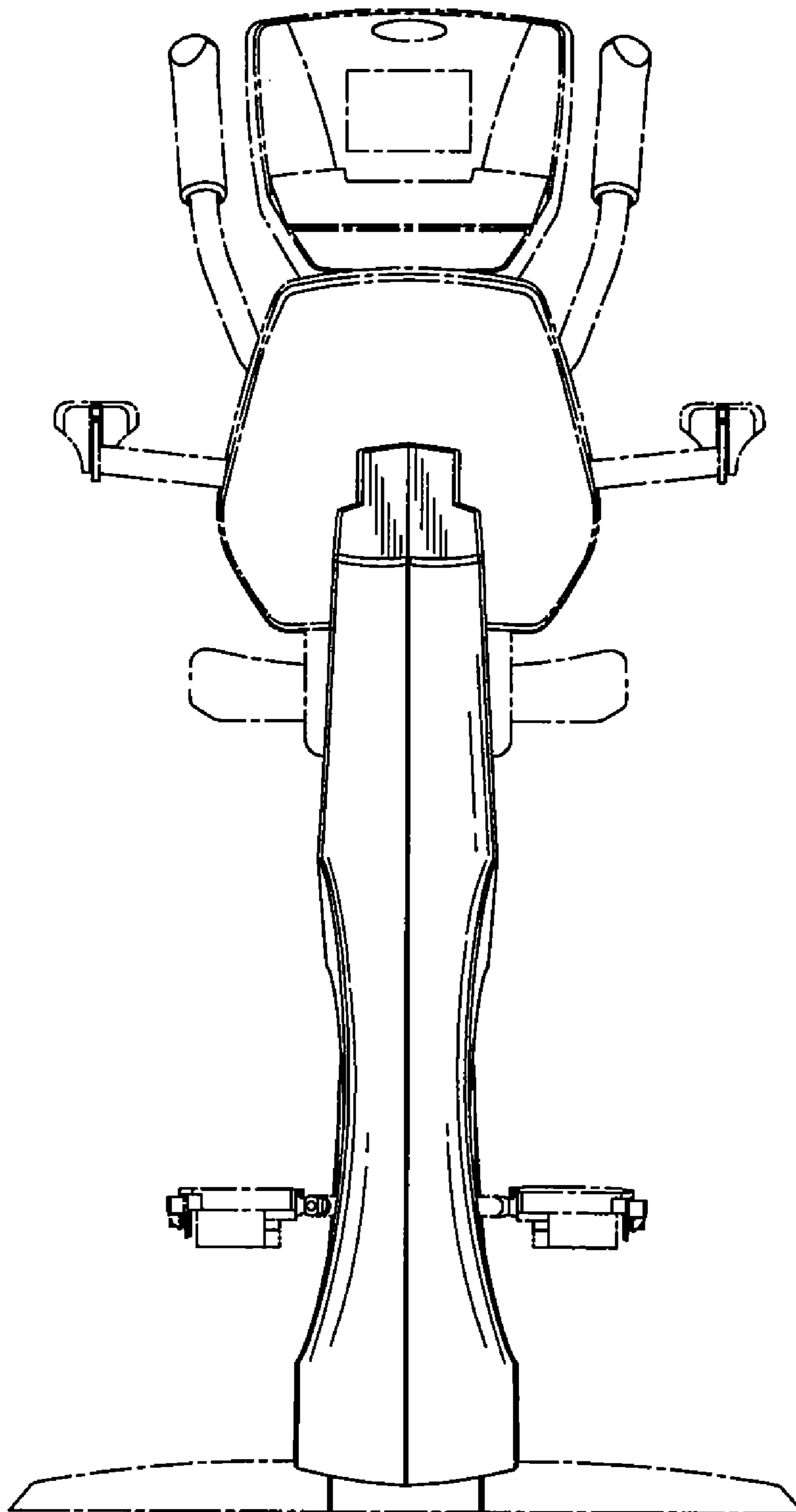


FIG. 4

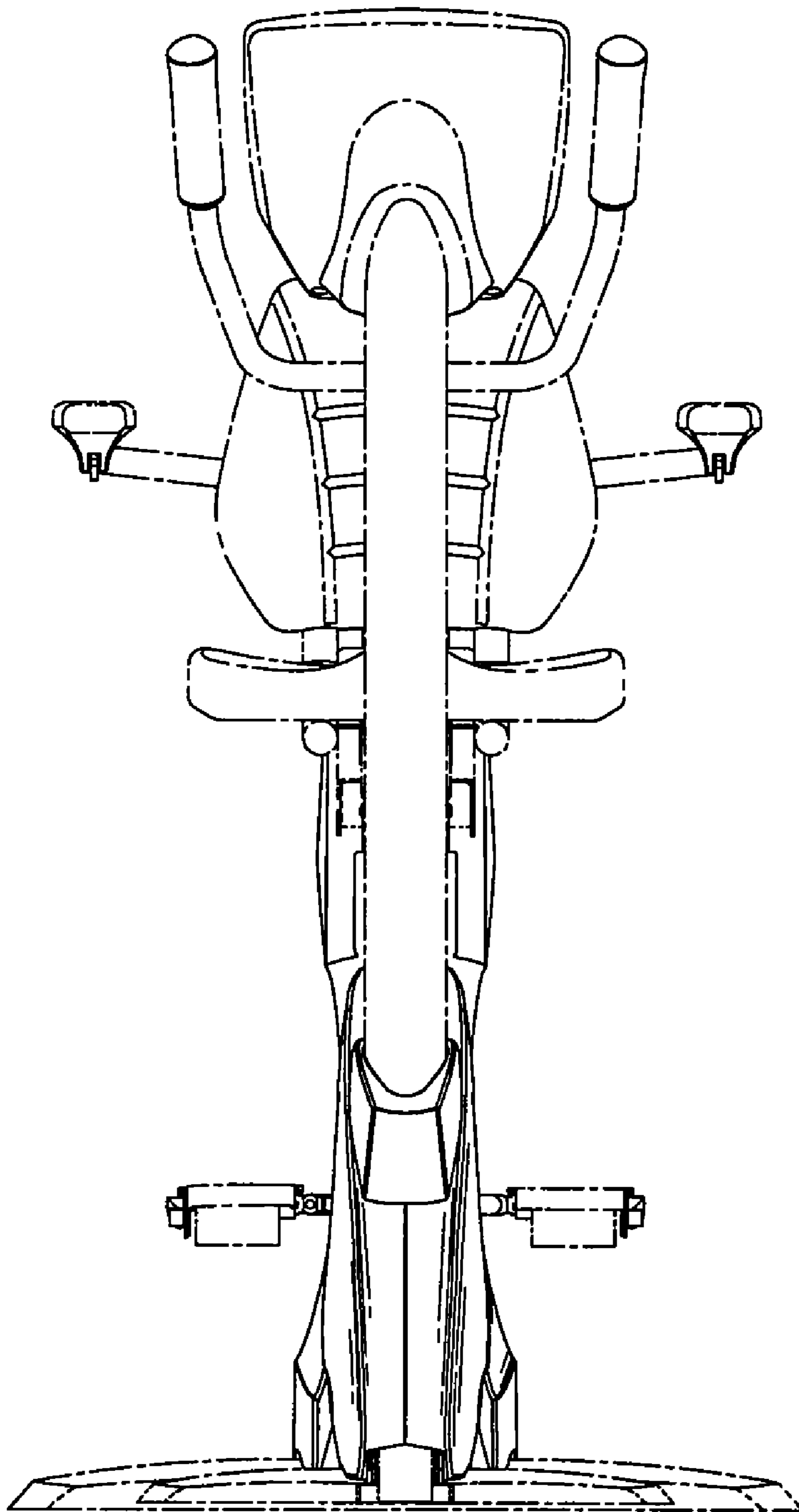


FIG. 5

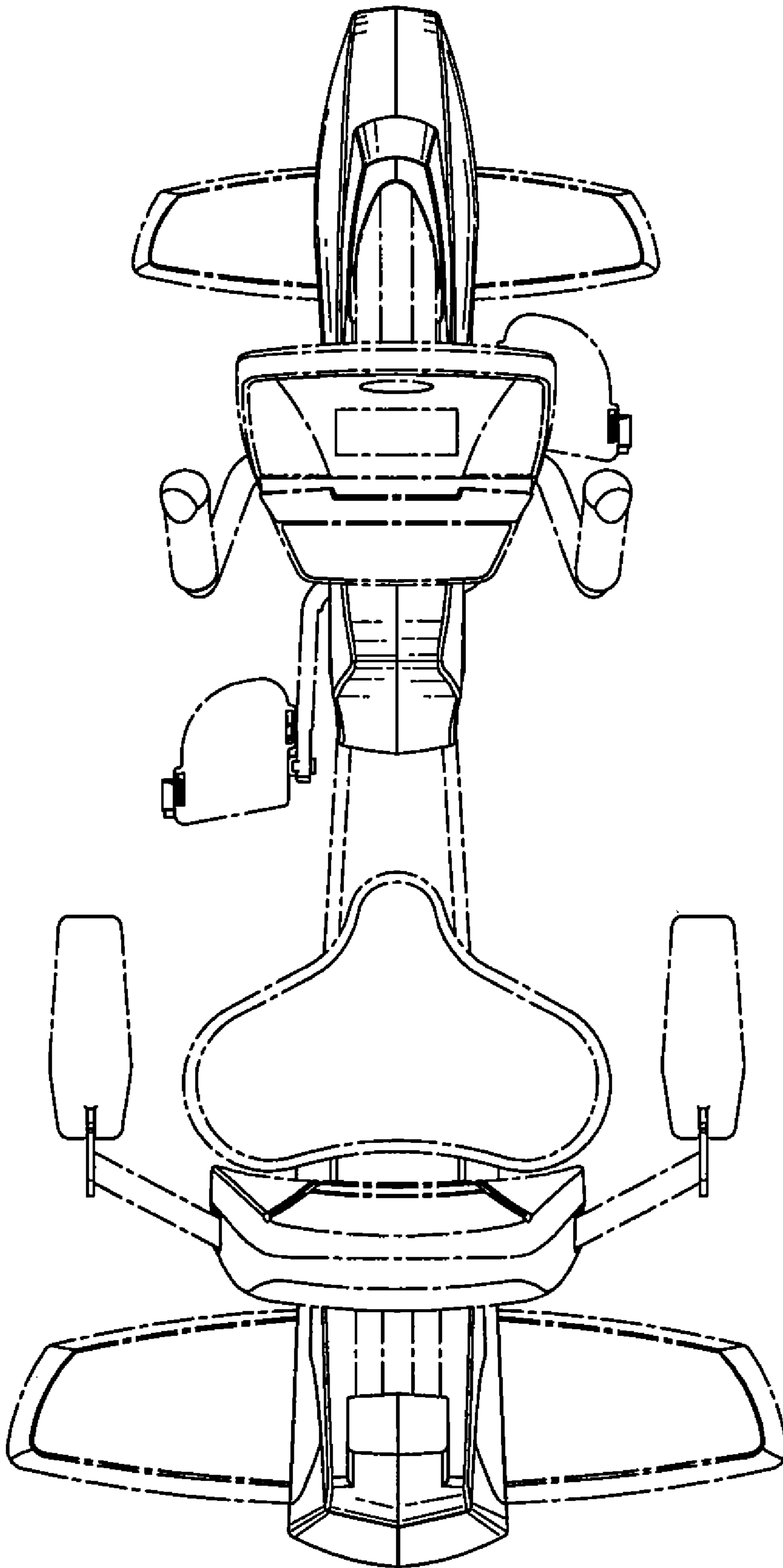


FIG. 6