



US00D553697S

(12) **United States Design Patent**
Hallar

(10) **Patent No.:** **US D553,697 S**

(45) **Date of Patent:** **** Oct. 23, 2007**

(54) **HAND WEIGHT WITH STRAP**

(75) Inventor: **James Hallar**, Minneapolis, MN (US)

(73) Assignee: **Target Brands, Inc.**, Minneapolis, MN (US)

(**) Term: **14 Years**

(21) Appl. No.: **29/251,130**

(22) Filed: **Jan. 4, 2006**

(51) **LOC (8) Cl.** **21-02**

(52) **U.S. Cl.** **D21/682**

(58) **Field of Classification Search** D21/662,
D21/680, 681, 682, 683, 684; 482/104, 106,
482/107, 108; D22/117; D8/107
See application file for complete search history.

(56) **References Cited**

U.S. PATENT DOCUMENTS

3,116,947	A	1/1964	Brownrigg	
4,351,526	A *	9/1982	Schwartz	482/108
D273,030	S	3/1984	Anderson	
D280,337	S *	8/1985	Hood	D21/682
4,627,618	A	12/1986	Schwartz	
4,720,098	A *	1/1988	Gordon	482/108
4,724,971	A	2/1988	Henline	
4,743,017	A *	5/1988	Jaeger	482/108
D297,751	S *	9/1988	Brown	D21/681
D297,962	S *	10/1988	Wu	D21/682
4,778,173	A	10/1988	Joutras	
D307,168	S *	4/1990	Vodhanel	D21/682
5,033,740	A	7/1991	Schwartz et al.	
D321,230	S *	10/1991	Leonesio	D21/682
D326,298	S *	5/1992	King et al.	D21/682
D326,300	S *	5/1992	King et al.	D21/682
5,135,455	A	8/1992	King et al.	
5,242,350	A	9/1993	Chang	
D343,433	S *	1/1994	Crosson	D21/682
5,325,997	A	7/1994	Washington et al.	
D352,981	S *	11/1994	Ko	D21/682

(Continued)

Primary Examiner—Philip S. Hyder

(74) *Attorney, Agent, or Firm*—Faegre & Benson LLP

(57) **CLAIM**

The ornamental design for a hand weight with strap, as shown and described.

DESCRIPTION

FIG. 1 is a perspective view of a hand weight with strap, according to an embodiment of the invention.

FIG. 2 is a front view of a hand weight with strap, according to an embodiment of the invention. A back view of a hand weight with strap, is an identical, mirror image of FIG. 2, and is omitted.

FIG. 3 is a top view of a hand weight with strap, according to an embodiment of the invention.

FIG. 4 is a bottom view of a hand weight with strap, according to an embodiment of the invention.

FIG. 5 is a right end view of a hand weight with strap, according to an embodiment of the invention. A left end view of a hand weight with strap, is an identical, mirror image of FIG. 5 and is omitted.

FIG. 6 is a perspective view of a hand weight with strap, according to a second embodiment of the invention.

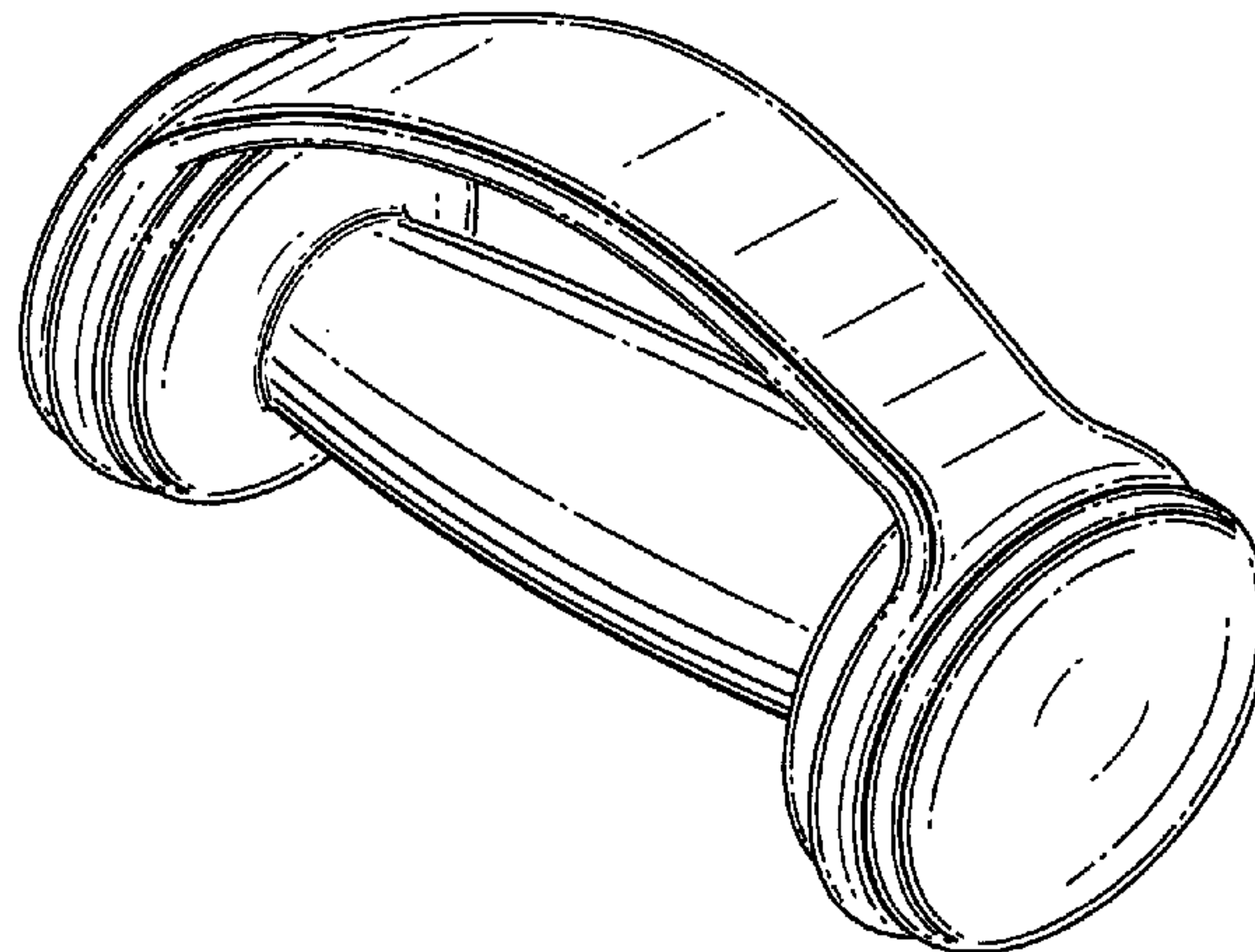
FIG. 7 is a front view of a hand weight with strap, according to a second embodiment of the invention. A back view of a hand weight with strap is an identical, mirror image of FIG. 7, and is omitted.

FIG. 8 is a top view of a hand weight with strap, according to a second embodiment of the invention.

FIG. 9 is a bottom view of a hand weight with strap, according to a second embodiment of the invention; and,

FIG. 10 is a right end view of a hand weight with strap, according to a second embodiment of the invention. A left end view of a hand weight with strap is an identical, mirror image of FIG. 10, and is omitted.

1 Claim, 6 Drawing Sheets



US D553,697 S

Page 2

U.S. PATENT DOCUMENTS

D359,090 S *	6/1995	Van Der Hoeven	D21/682	5,823,922 A	10/1998	Eckmann	
D372,945 S *	8/1996	Morgan	D21/682	D413,800 S	9/1999	Caparros et al.	
D384,713 S	10/1997	Eckmann		5,957,515 A	9/1999	Van Der Sluys	
5,749,490 A	5/1998	Keicher		D458,846 S	6/2002	Writt, Sr.	
D399,910 S	10/1998	Eckmann		6,916,104 B2 *	7/2005	Parsons et al.	362/191

* cited by examiner

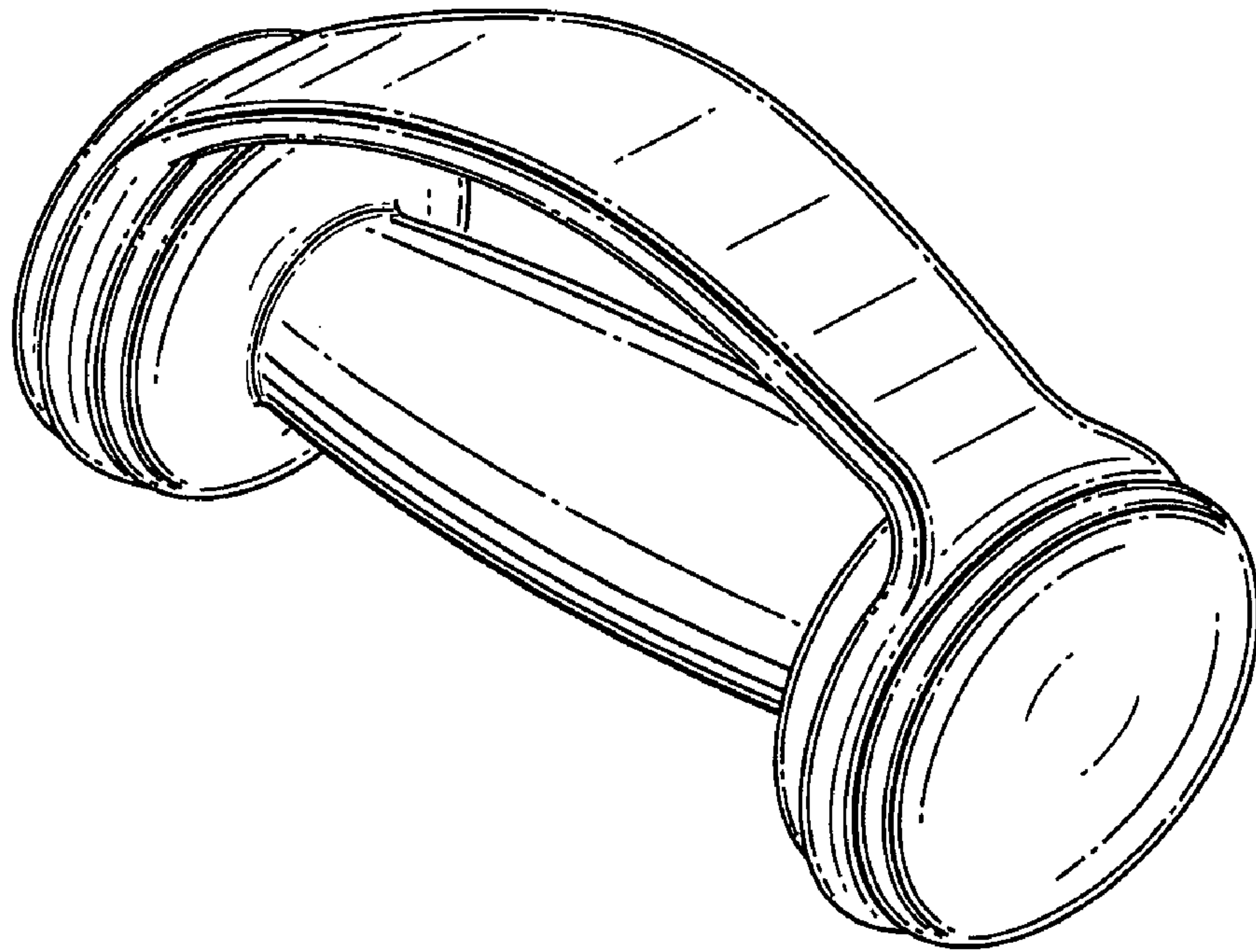


Fig. 1

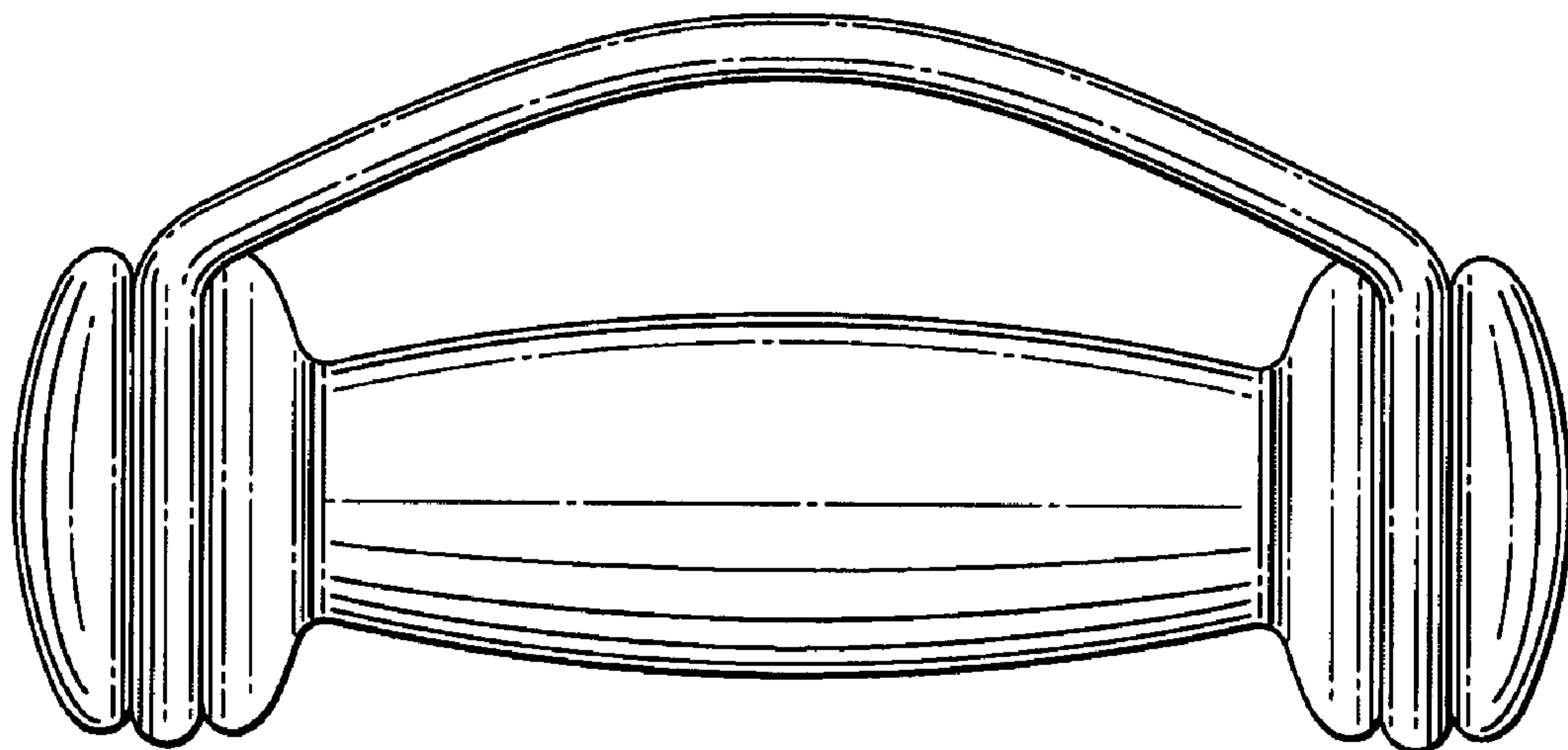


Fig. 2

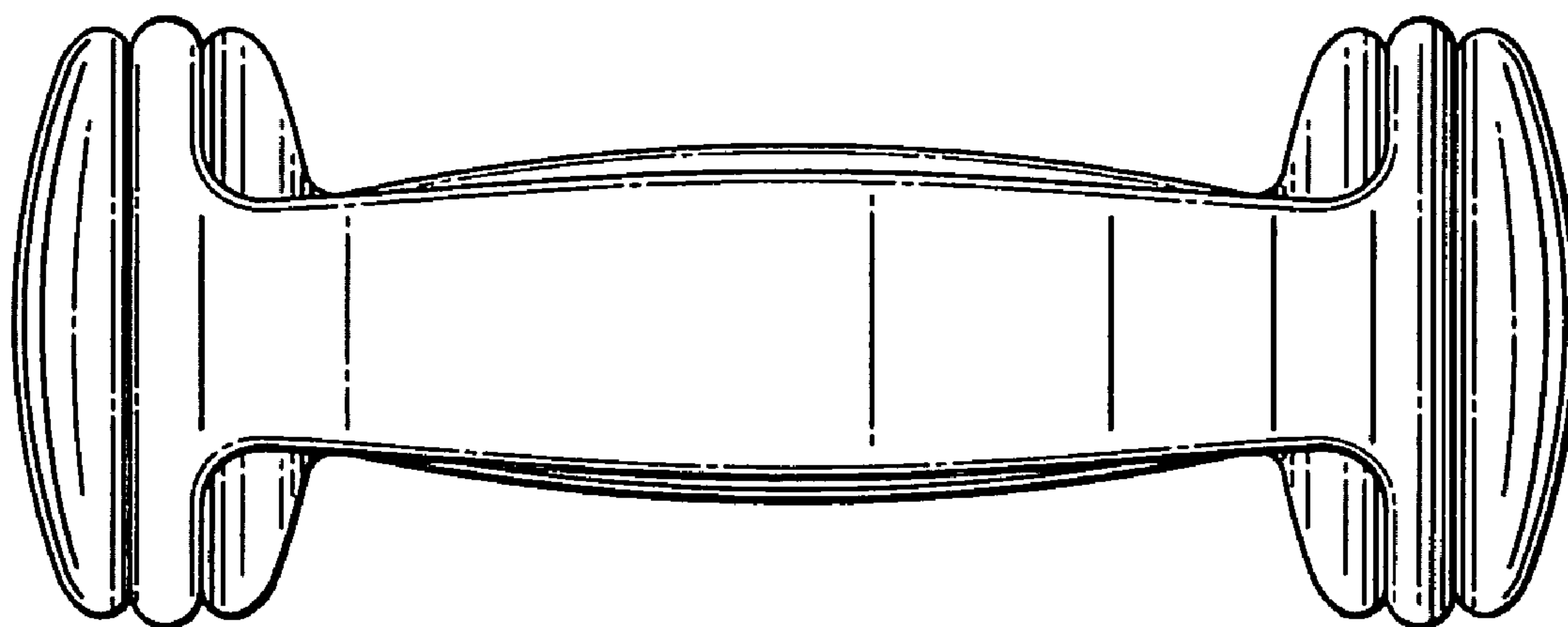


Fig. 3

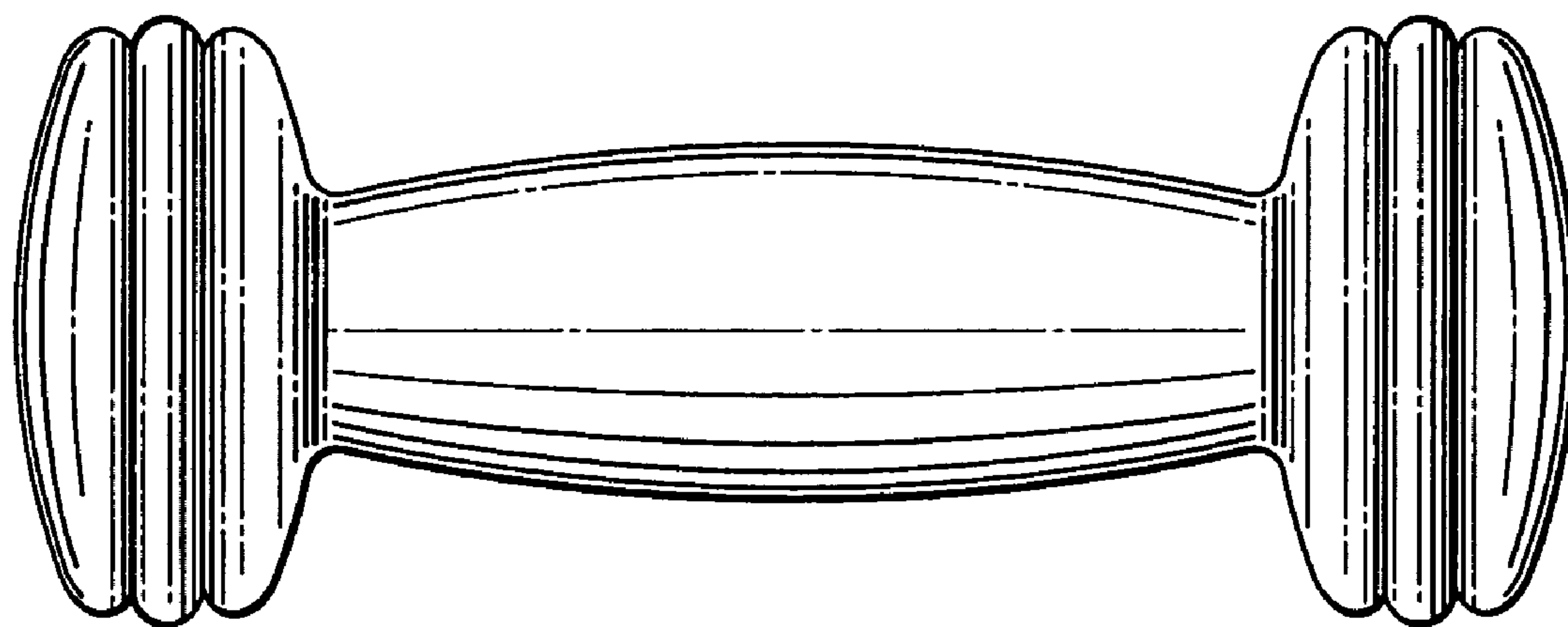


Fig. 4

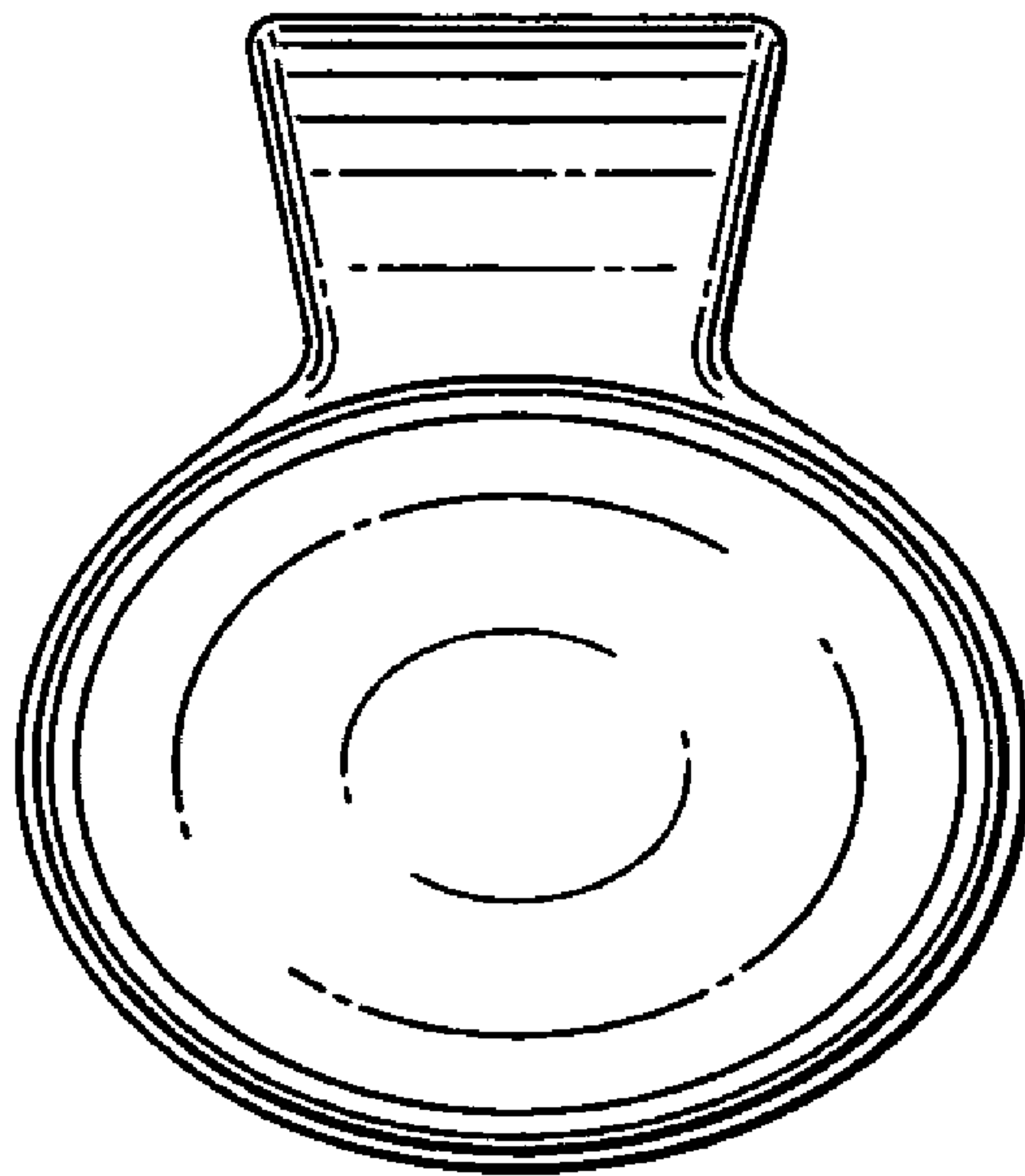


Fig. 5

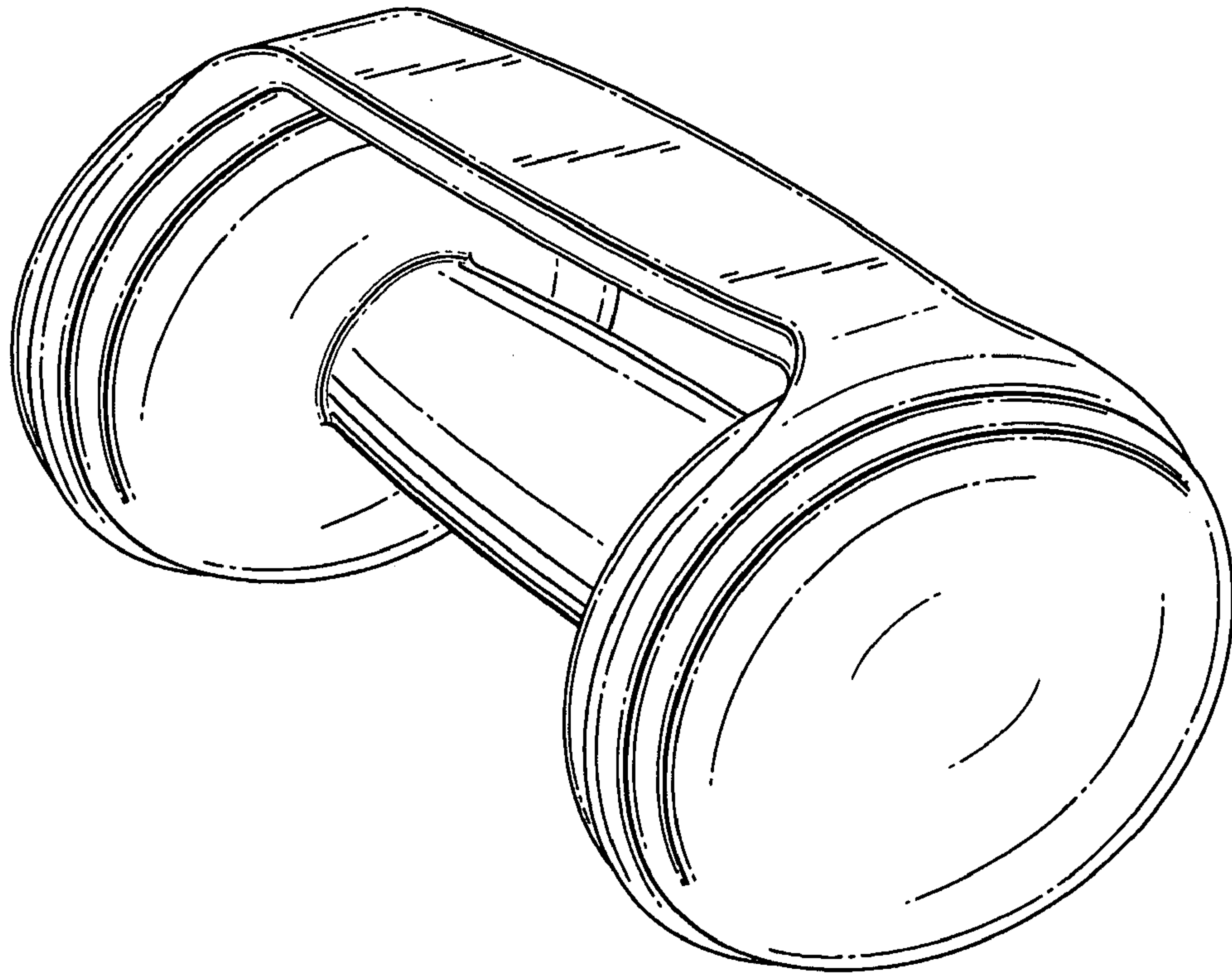


Fig. 6

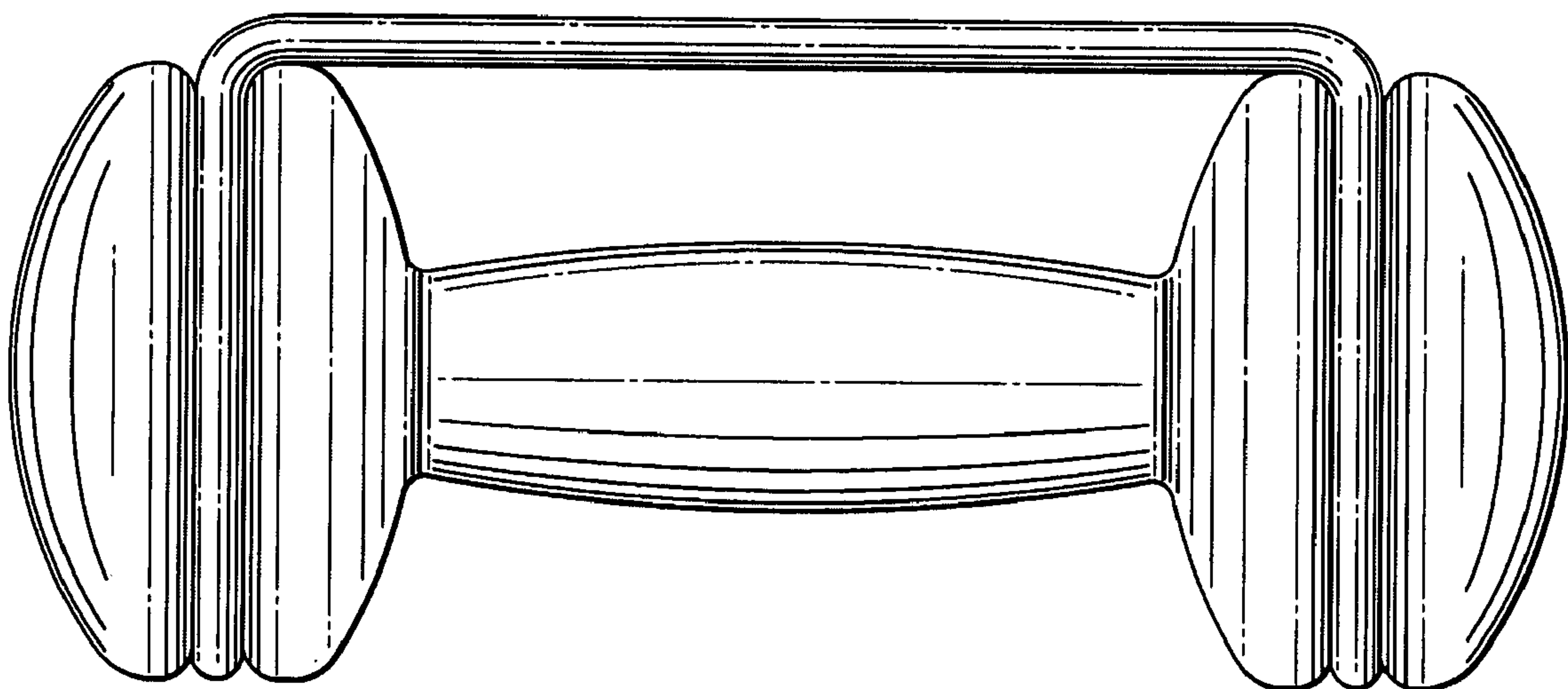


Fig. 7

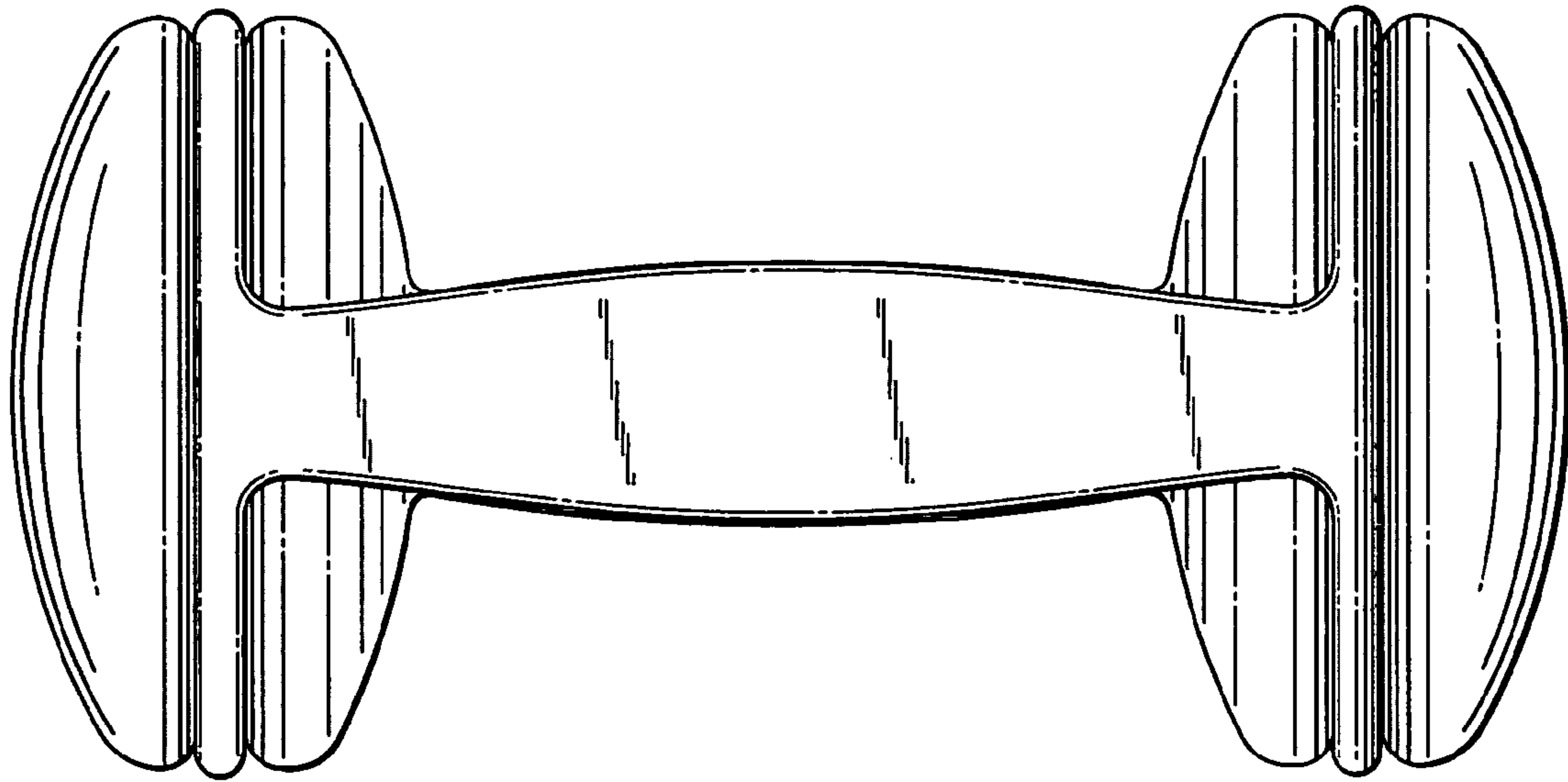


Fig. 8

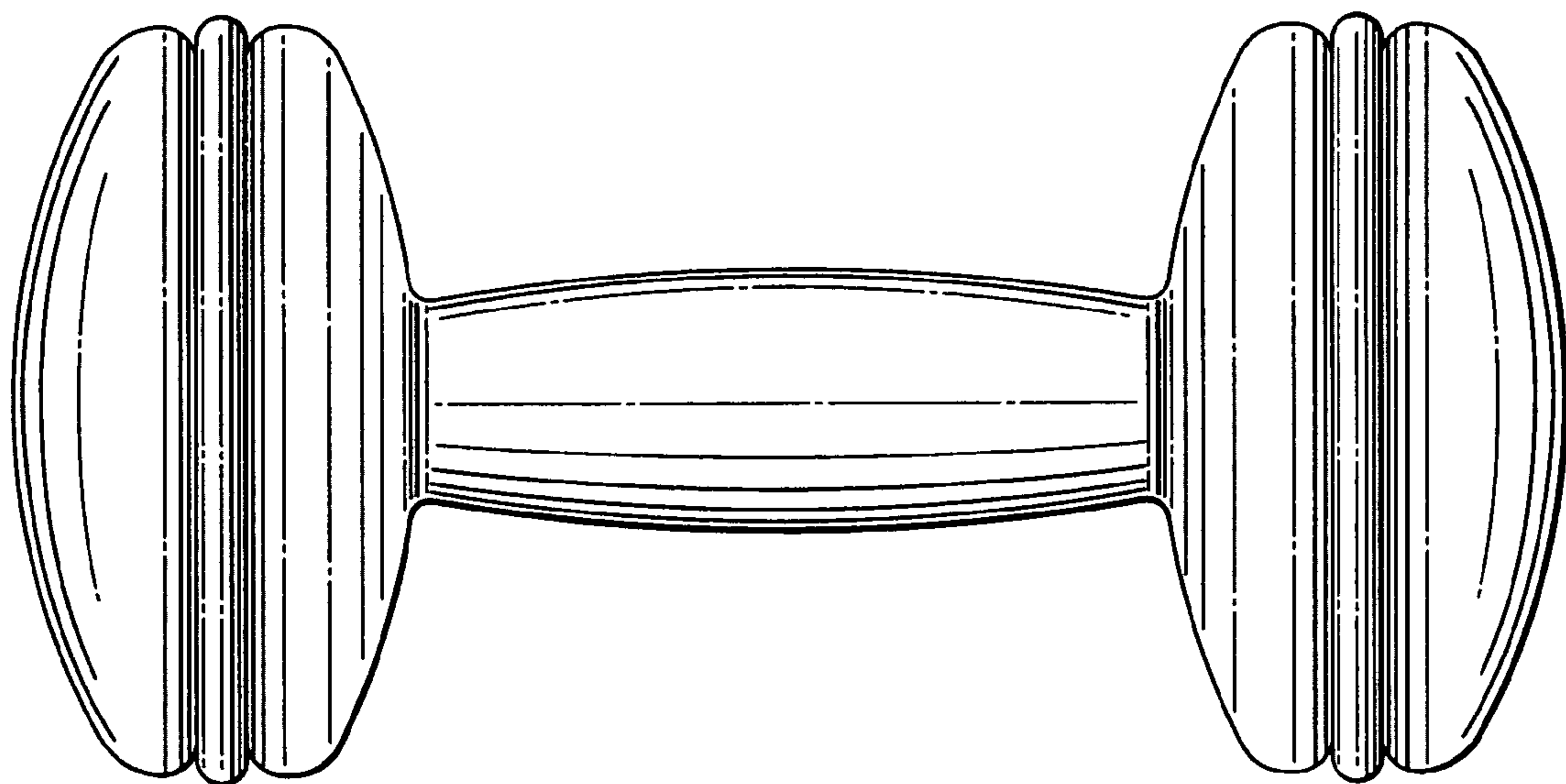


Fig. 9

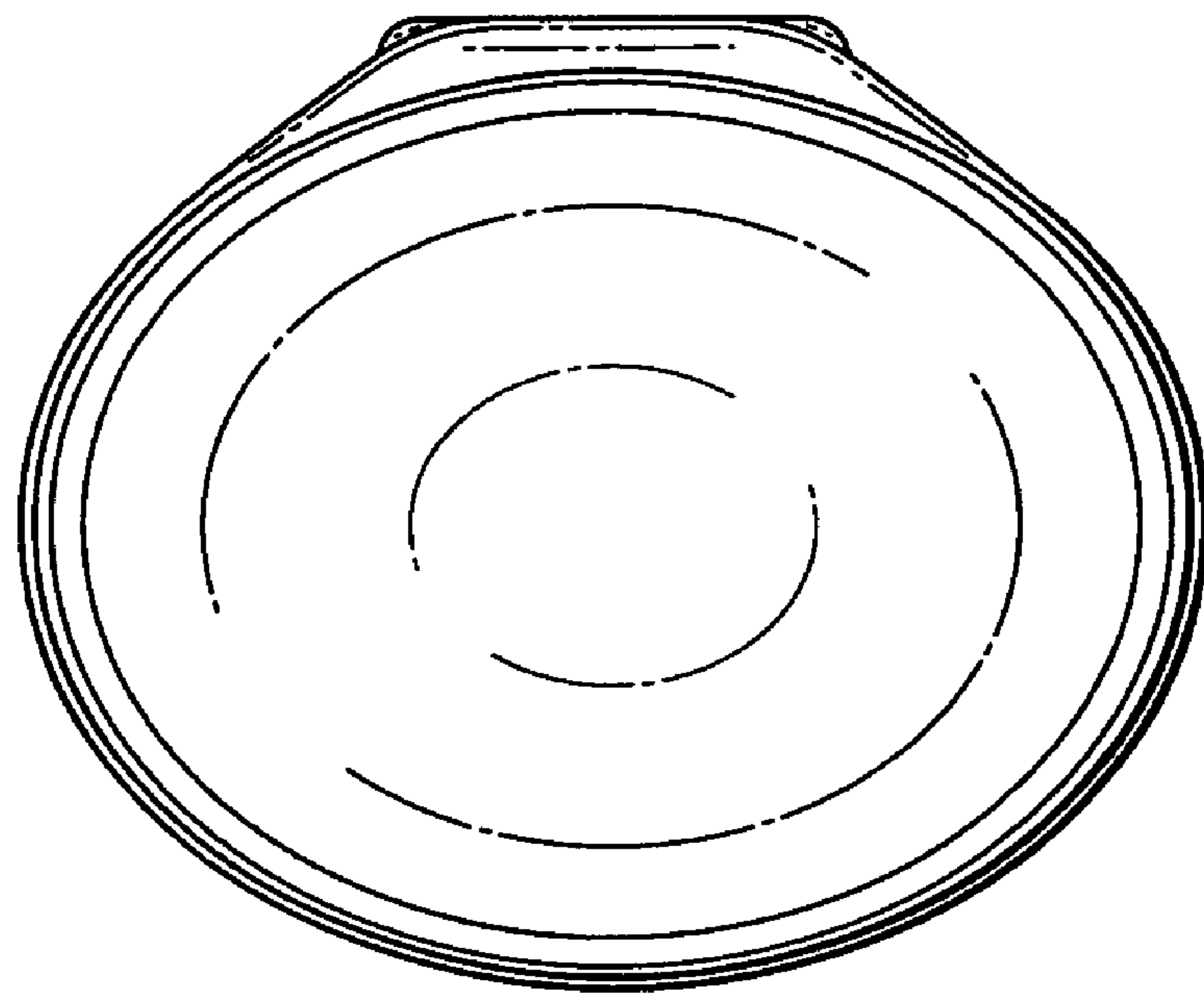


Fig. 10