



US00D553692S

(12) **United States Design Patent**
Ehara et al.

(10) **Patent No.:** **US D553,692 S**
(45) **Date of Patent:** **** Oct. 23, 2007**

(54) **ATTACHMENT FOR A GAME MACHINE**

(75) Inventors: **Yui Ehara**, Kyoto (JP); **Tomoki Yamamoto**, Kyoto (JP); **Hiroki Goto**, Kyoto (JP)

(73) Assignee: **Nintendo Co., Ltd.**, Kyoto (JP)

(**) Term: **14 Years**

(21) Appl. No.: **29/260,754**

(22) Filed: **Jun. 1, 2006**

(30) **Foreign Application Priority Data**

Jan. 26, 2006 (JP) 2006-001639

(51) **LOC (8) Cl.** **21-01**

(52) **U.S. Cl.** **D21/332; D21/333**

(58) **Field of Classification Search** D21/332,
D21/333, 324, 435; 273/148 B; 463/1.29,
463/30, 43-47; 360/132

See application file for complete search history.

(56) **References Cited**

U.S. PATENT DOCUMENTS

5,809,520 A * 9/1998 Edwards et al. 711/115
D405,477 S 2/1999 Ota et al.
5,926,438 A * 7/1999 Saito 367/111
D415,534 S 10/1999 Ashida
D419,198 S 1/2000 Ashida et al.
6,238,291 B1 * 5/2001 Fujimoto et al. 463/44
6,267,678 B1 * 7/2001 Kubo et al. 463/44
D468,743 S 1/2003 Kawanobe et al.
D478,127 S * 8/2003 Nishikawa D21/332

D480,764 S 10/2003 Inoue et al.
6,773,351 B2 * 8/2004 Brown 463/43
6,810,463 B2 * 10/2004 Okada et al. 711/115
D530,343 S * 10/2006 Maruyama et al. D14/496
7,118,482 B2 * 10/2006 Ishihara et al. 463/43
D539,355 S * 3/2007 Fujita D21/332

* cited by examiner

Primary Examiner—Prabhakar Deshmukh

(74) *Attorney, Agent, or Firm*—Nixon & Vanderhye, PC

(57) **CLAIM**

The ornamental design for an attachment for a game machine, as shown and described.

DESCRIPTION

FIG. 1 is front, top and right perspective view of an attachment for a game machine showing our new design; FIG. 2 is rear, bottom and left perspective view thereof; FIG. 3 is a top plan view thereof; FIG. 4 is a bottom plan view thereof; FIG. 5 is a front view thereof; FIG. 6 is a rear view thereof; FIG. 7 is a left side view thereof, a right side view being a mirror image thereof; and, FIG. 8 is a perspective view thereof, showing the attachment for a game machine in it's environmental use. The broken lines showing of a game machine is for illustrative purpose only and form no part of the claimed design.

1 Claim, 3 Drawing Sheets

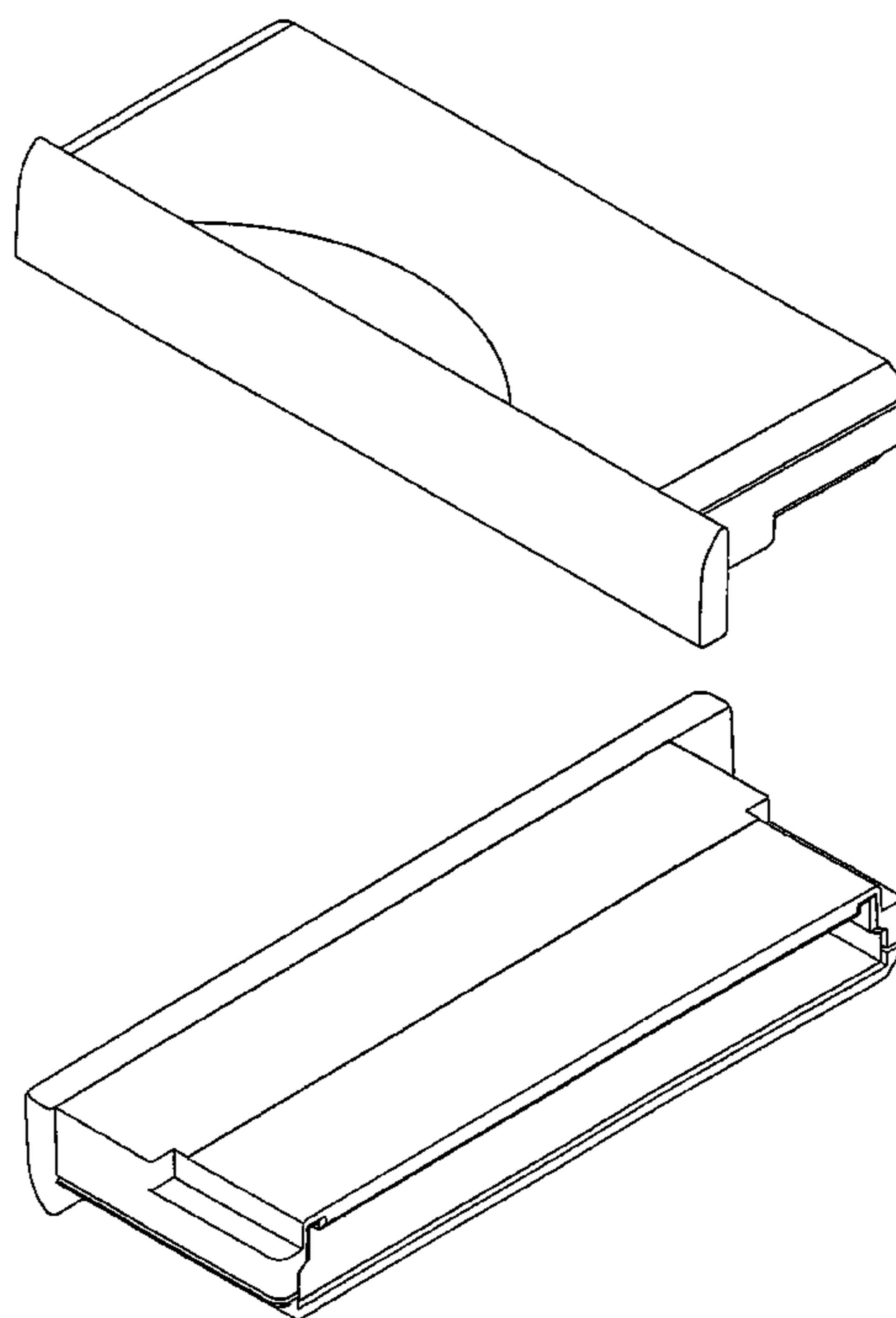


FIG. 1

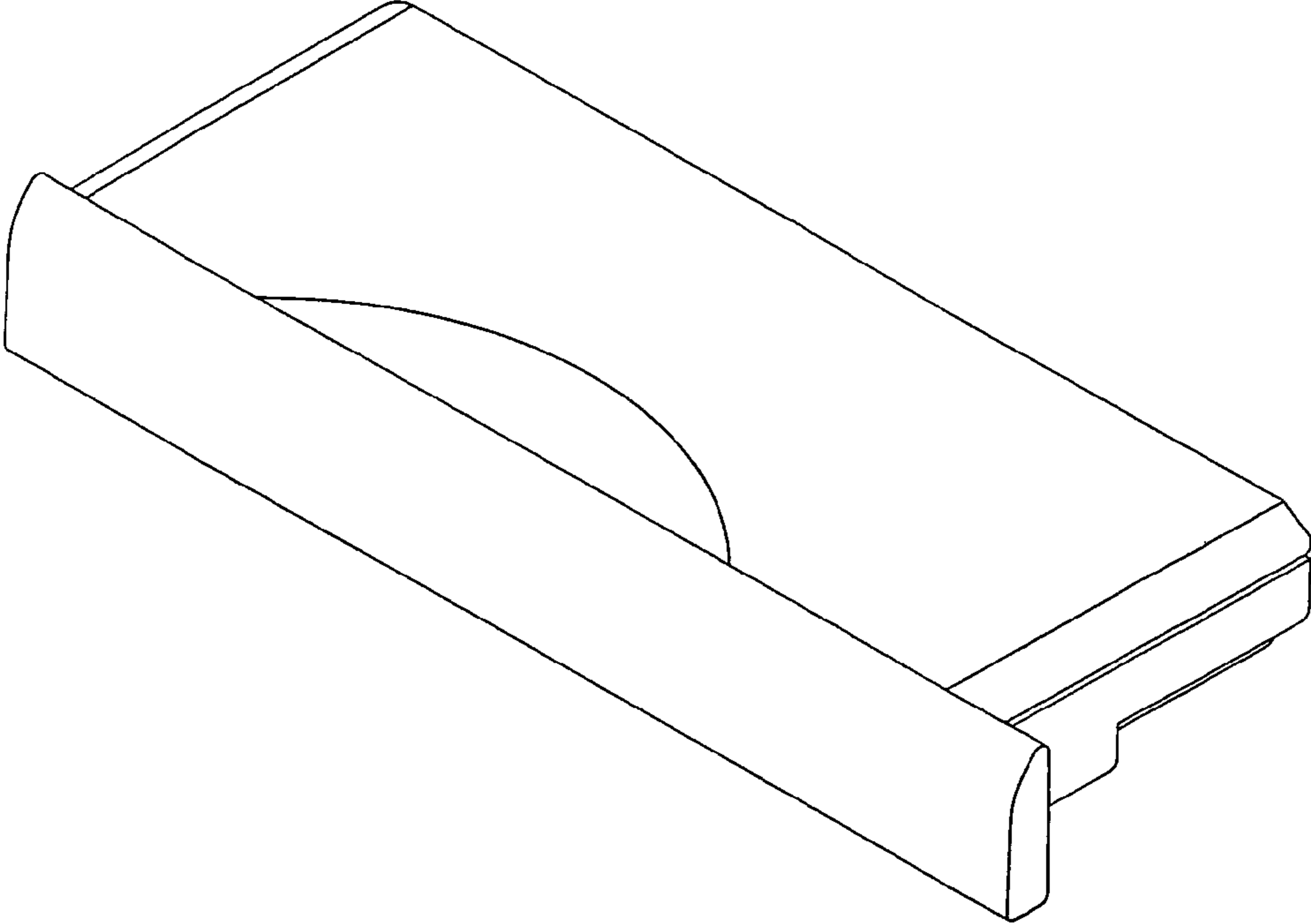


FIG. 2

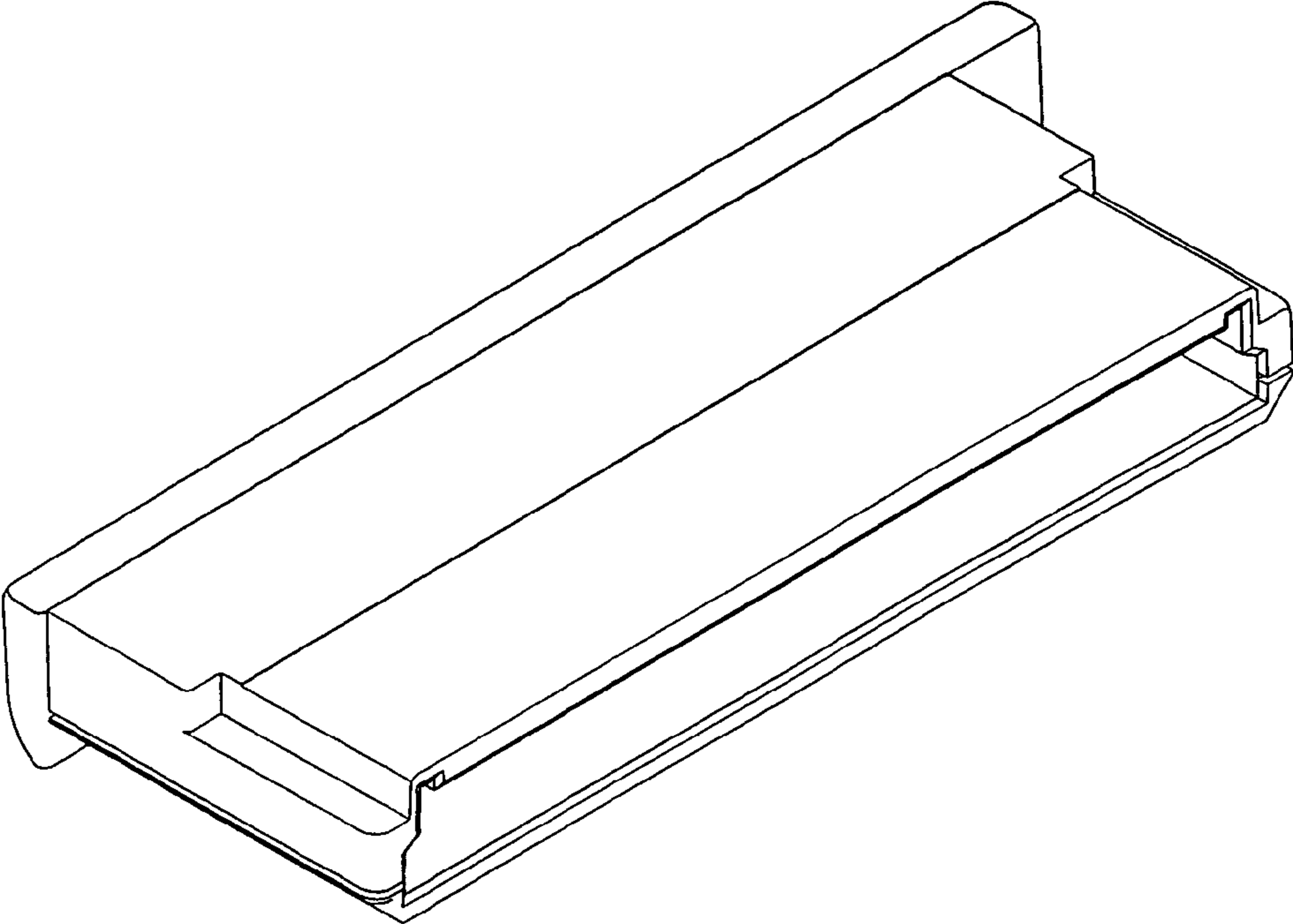


FIG. 3

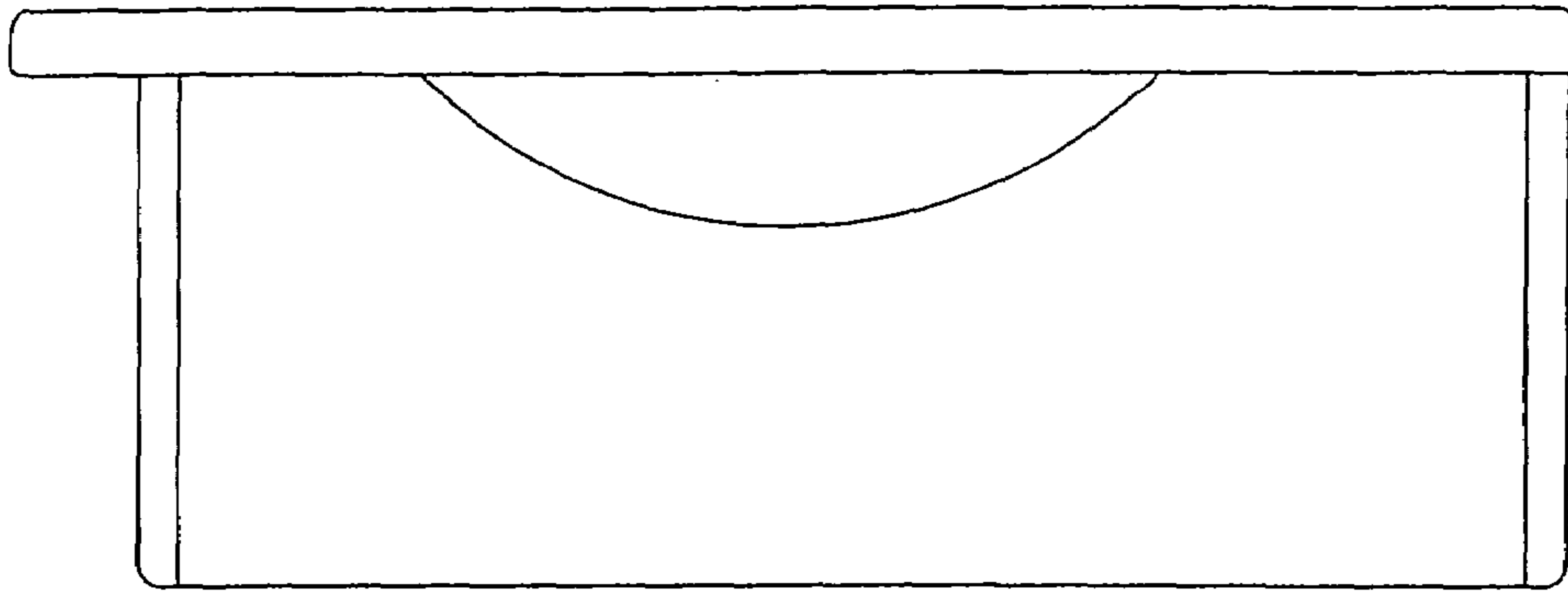


FIG. 4

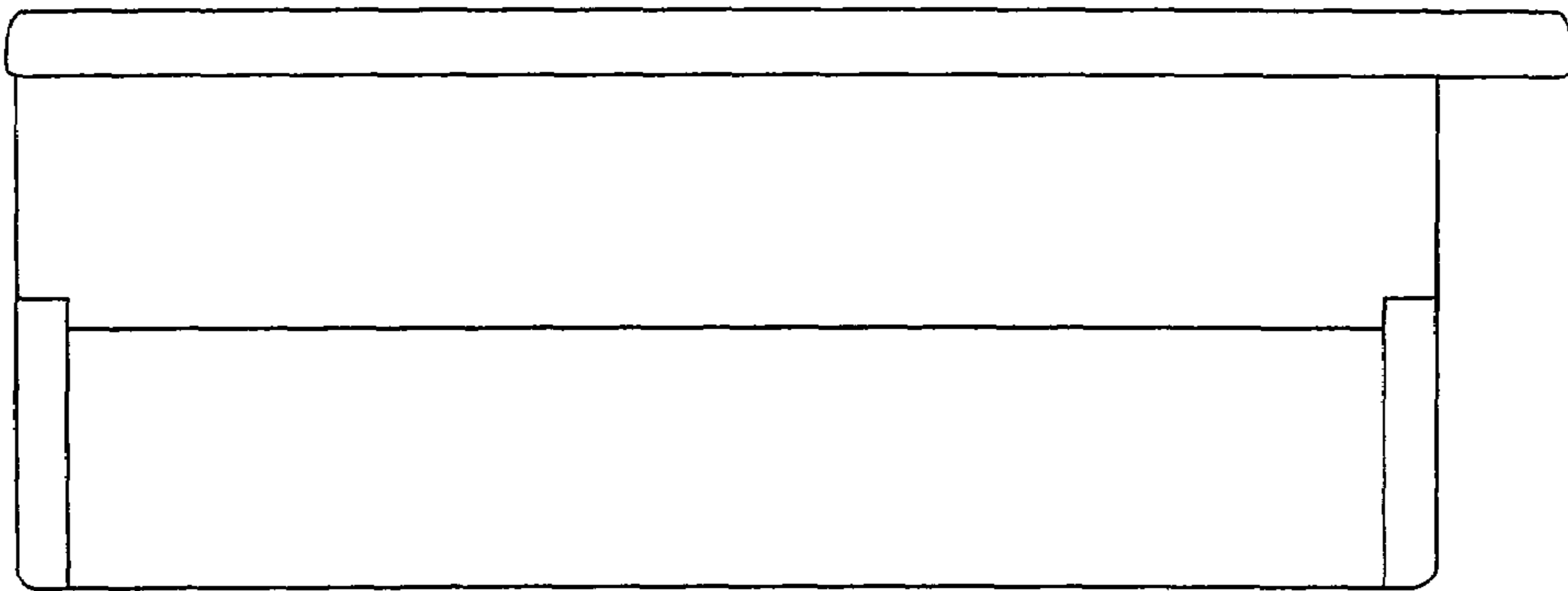


FIG. 5

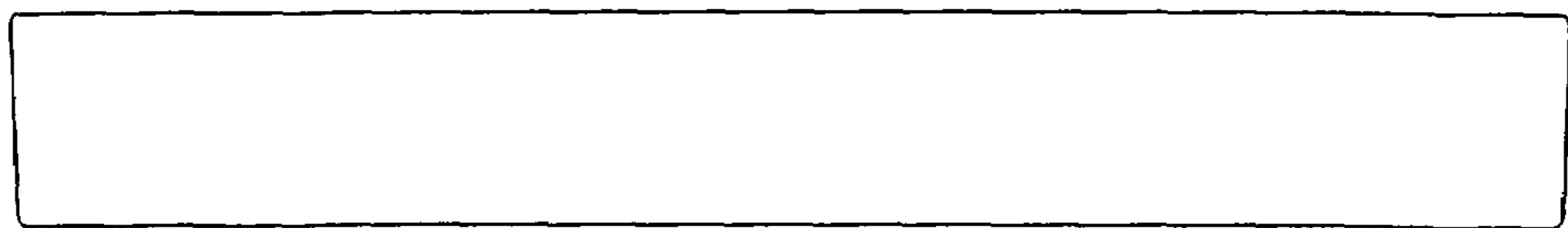


FIG. 6

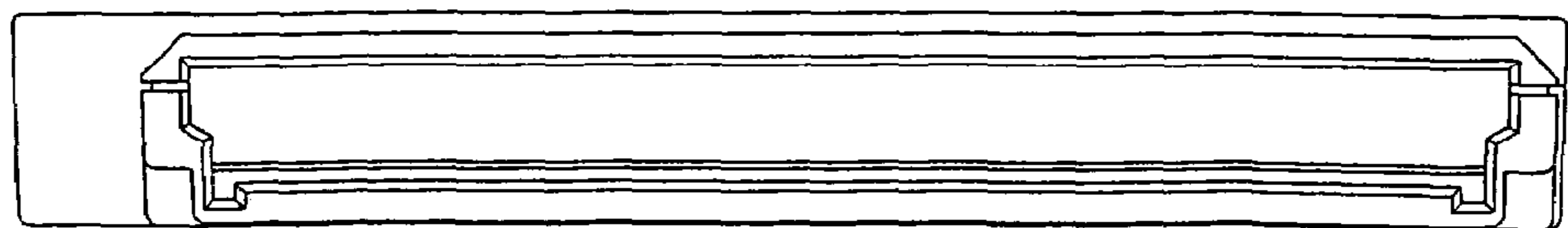


FIG. 7

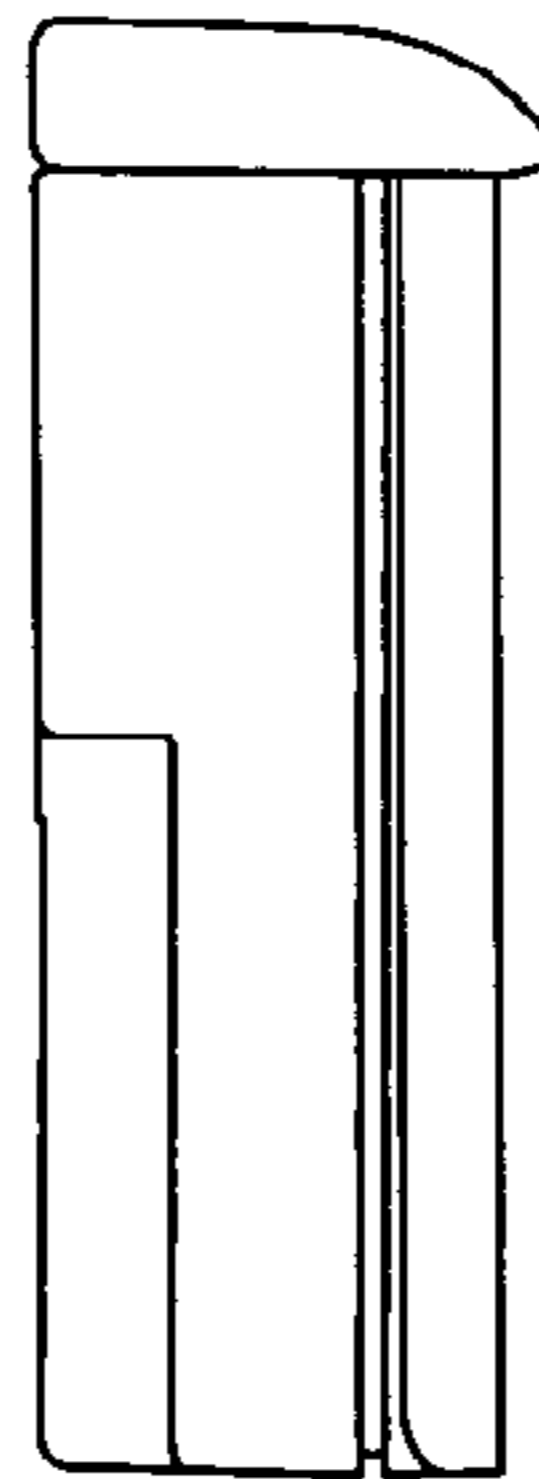


FIG. 8

