



US00D553690S

(12) **United States Design Patent** (10) **Patent No.:** **US D553,690 S**  
**Cunningham** (45) **Date of Patent:** **\*\* Oct. 23, 2007**

(54) **AUTOGRAPH BOARD**

(76) Inventor: **Michael Cunningham**, 650 W. Commodore Blvd., Jackson, NJ (US) 08527

(\*\*) Term: **14 Years**

(21) Appl. No.: **29/247,571**

(22) Filed: **Jun. 27, 2006**

(51) **LOC (8) Cl.** ..... **20-03**

(52) **U.S. Cl.** ..... **D20/10; D20/43**

(58) **Field of Classification Search** ..... D20/10, D20/11, 29, 40-43, 99; 40/124, 124.01, 40/124.02, 124.04, 124.4, 584, 617; 283/56, 283/81; 362/812; D11/81; D6/300, 303; D19/52, 88, 90; 473/499, 569; 273/409; 206/232, 315.9; D21/780

See application file for complete search history.

(56) **References Cited**

**U.S. PATENT DOCUMENTS**

- 2,122,266 A \* 6/1938 Seys ..... 473/499
- D121,486 S \* 7/1940 Stefanakis ..... D6/300
- D136,639 S \* 11/1943 Hoffman ..... D19/99
- 2,591,016 A \* 4/1952 Schoenherr ..... 273/409
- 5,082,110 A \* 1/1992 Hager ..... 206/232
- D356,335 S \* 3/1995 Mak ..... D19/52
- 5,419,062 A \* 5/1995 Polinski et al. .... 40/124.4
- D395,680 S \* 6/1998 Sandy ..... D20/42
- 6,016,910 A \* 1/2000 Rodearmel ..... 206/315.9

- 6,920,709 B2 \* 7/2005 LaMalfa ..... 40/124.01
- D528,180 S \* 9/2006 Rathbun ..... D21/780
- D534,094 S \* 12/2006 Trainor et al. .... D11/81
- 2003/0144094 A1 \* 7/2003 Picciolini ..... 473/569

\* cited by examiner

*Primary Examiner*—Robert M. Spear  
*Assistant Examiner*—Mary Ann Calabrese  
(74) *Attorney, Agent, or Firm*—Synnestvedt Lechner & Woodbridge LLP

(57) **CLAIM**

The ornamental design for an autograph board, as shown and described.

**DESCRIPTION**

FIG. 1 is a front perspective view of the autograph board showing my new design with a penholder clip shown in broken lines;

FIG. 2 is a front elevational view thereof;

FIG. 3 is a rear elevational view thereof;

FIG. 4 is a top plan view thereof;

FIG. 5 is a bottom plan view thereof; and,

FIG. 6 is a right side elevational view thereof (the left side comprising a mirror view of the right side elevational view).

In the drawings, the broken lines represent environmental structure forming no part of the claim.

**1 Claim, 4 Drawing Sheets**

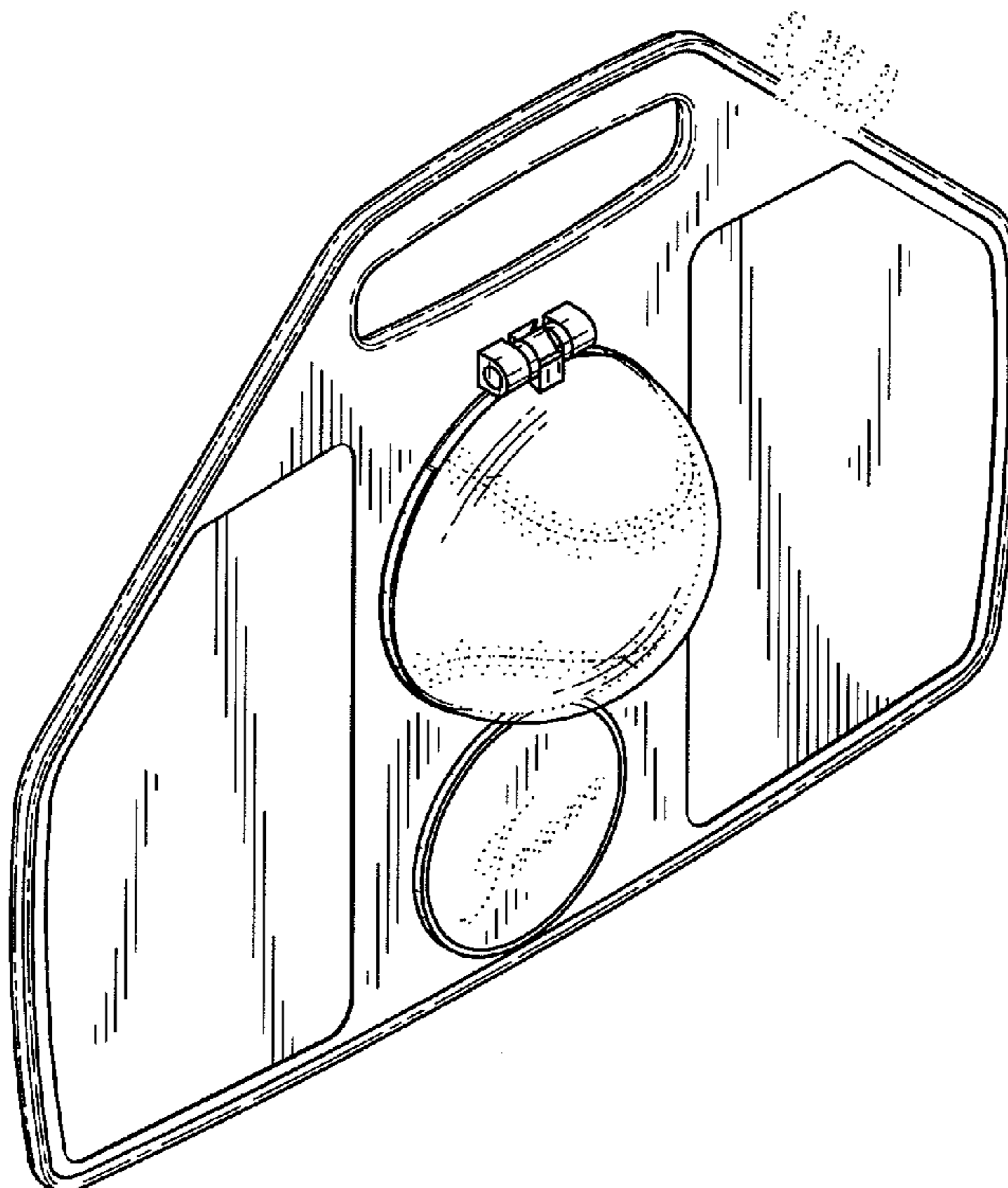
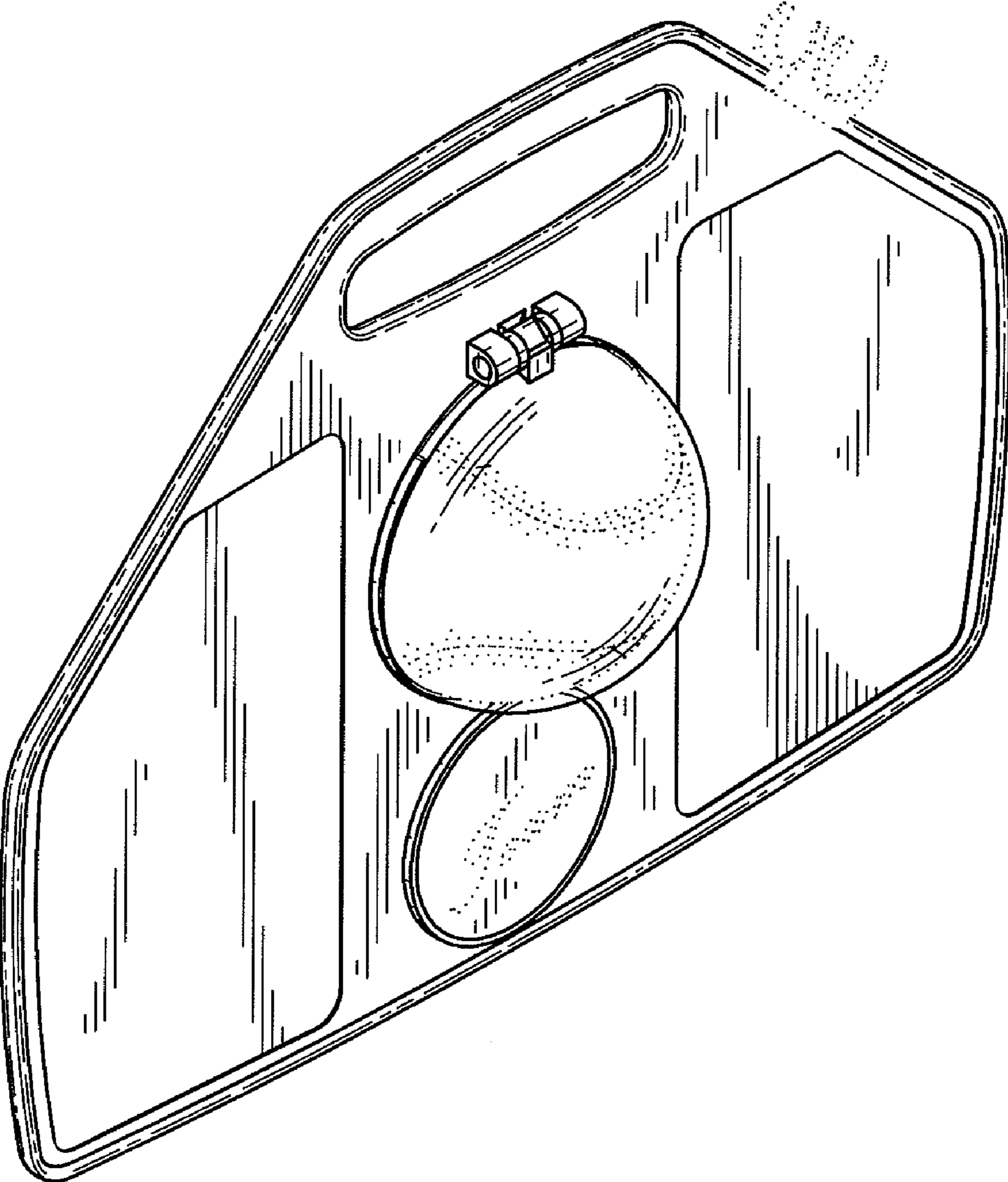
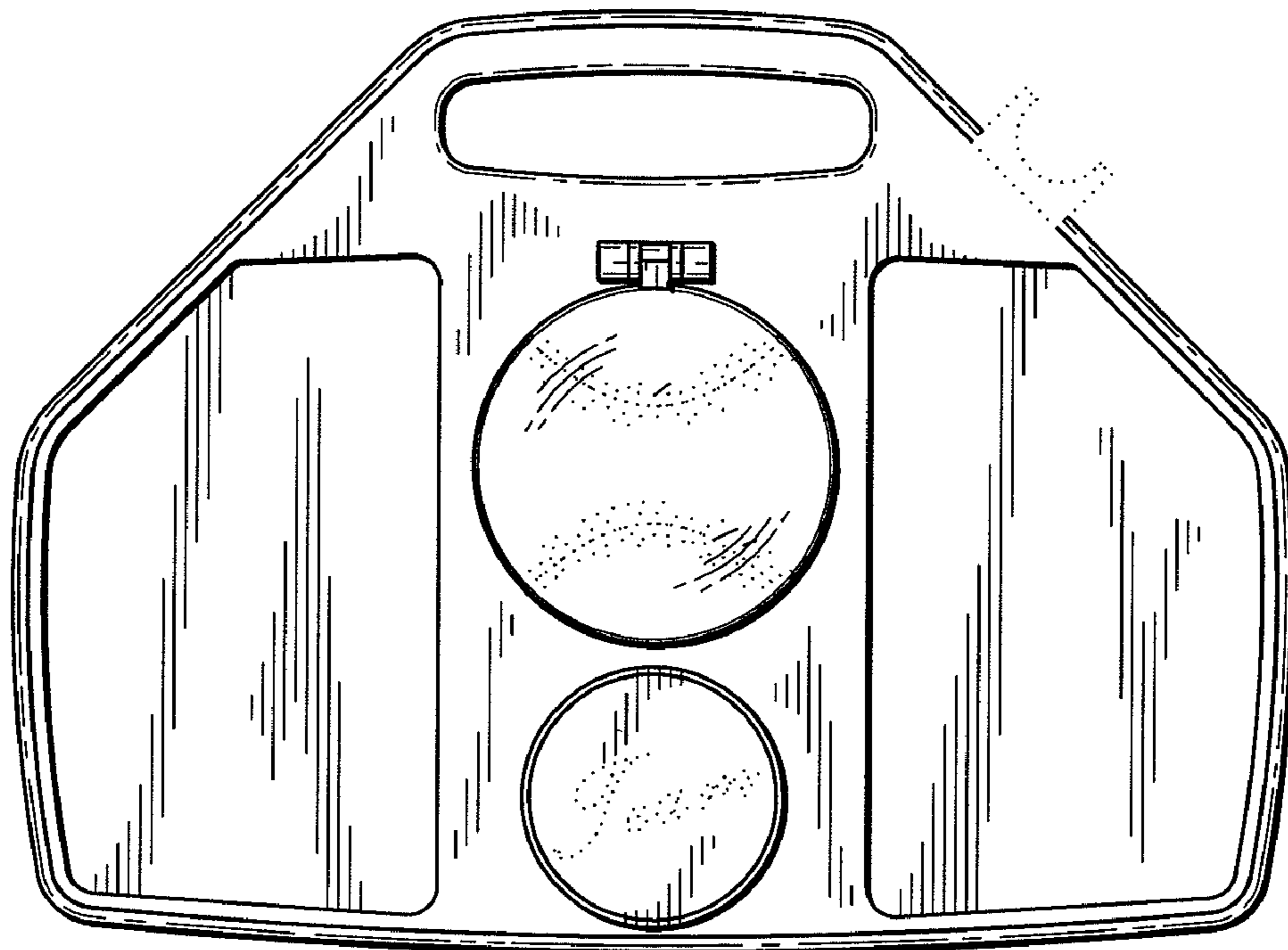


FIG. 1



*FIG. 2*



*FIG. 3*

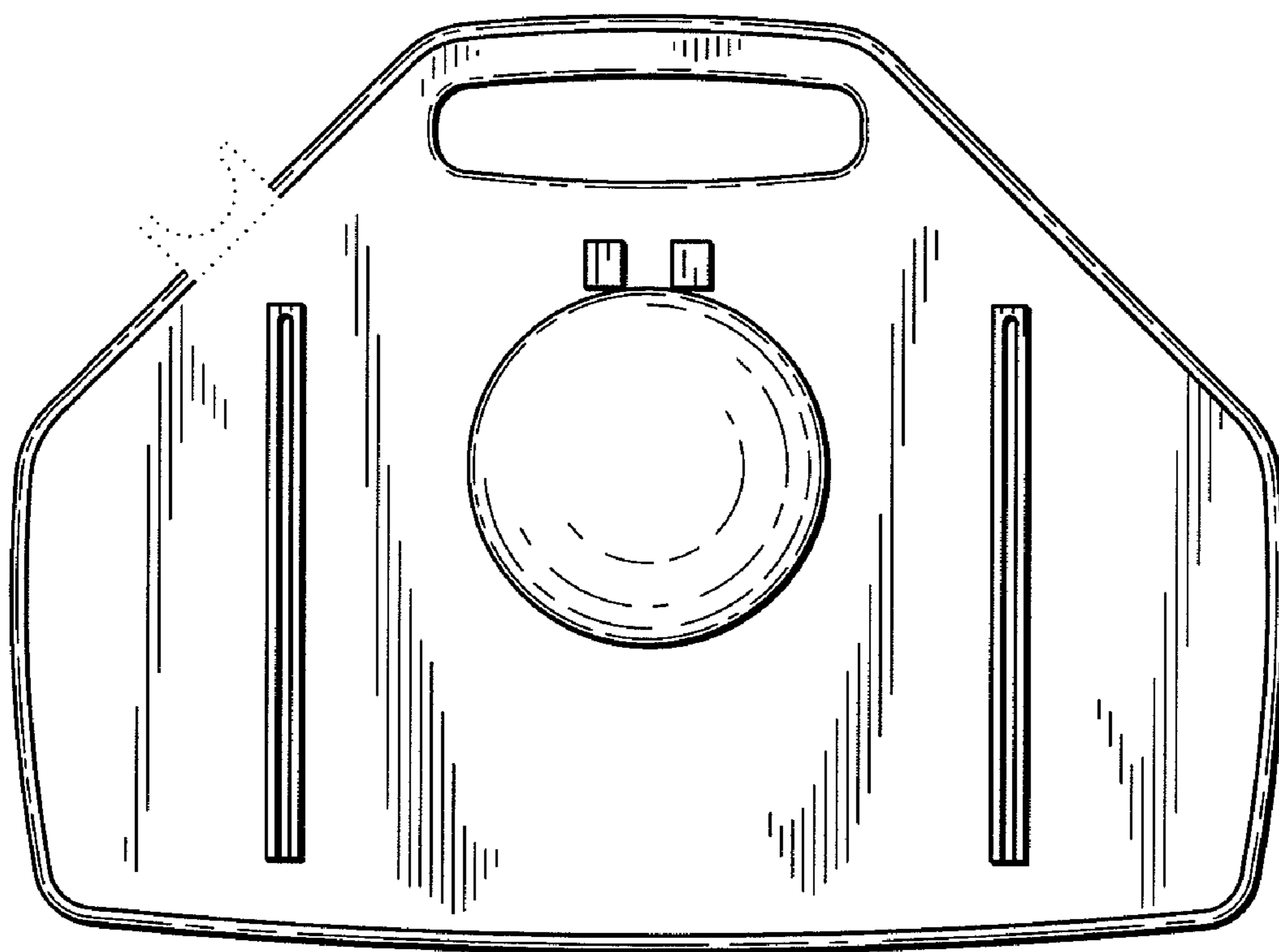


FIG. 4

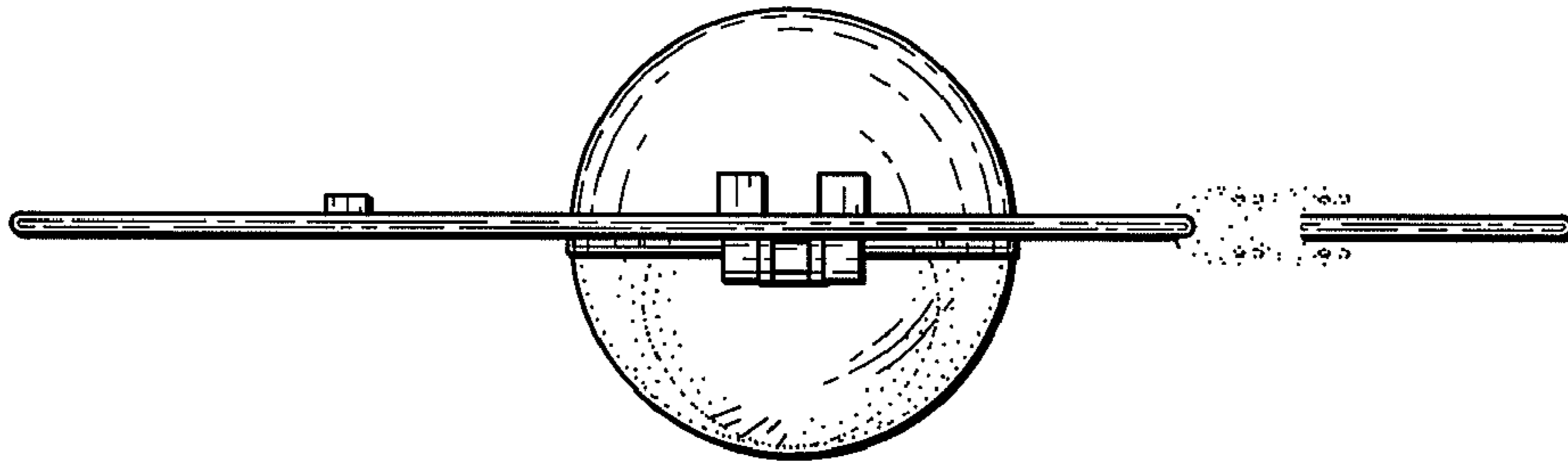


FIG. 5

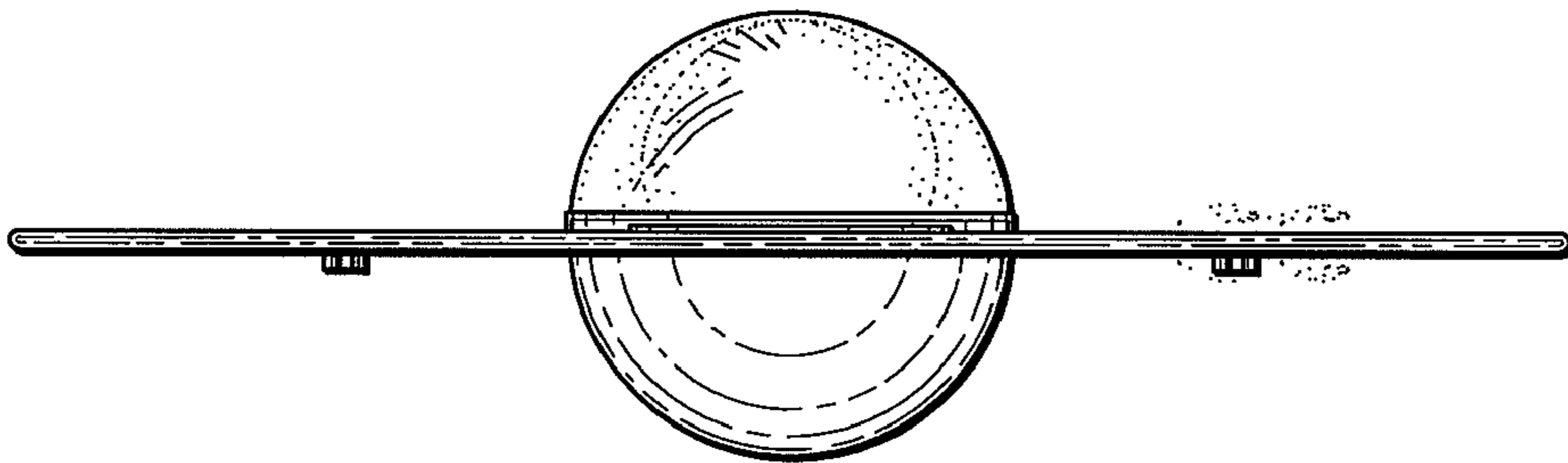


FIG. 6

