



US00D553688S

(12) **United States Design Patent**
Bonaventura

(10) **Patent No.:** **US D553,688 S**

(45) **Date of Patent:** **** Oct. 23, 2007**

(54) **SIDE LOAD TRAY**

D325,222 S * 4/1992 Brussing D19/92
D428,059 S * 7/2000 Saylor et al. D19/92

(75) Inventor: **Gina Bonaventura**, Indianapolis, IN
(US)

* cited by examiner

(73) Assignee: **Deflecto Corporation**, Fishers, IN (US)

Primary Examiner—Elizabeth A. Albert
(74) *Attorney, Agent, or Firm*—Sonnenschein Nath &
Rosenthal LLP; Brian R. McGinley

(**) Term: **14 Years**

(21) Appl. No.: **29/247,599**

(57) **CLAIM**

(22) Filed: **Jun. 28, 2006**

The ornamental design for a side load tray, as shown and described.

(51) **LOC (8) Cl.** **19-02**

(52) **U.S. Cl.** **D19/92**

(58) **Field of Classification Search** D3/304,
D3/314; D19/75, 77, 78, 83, 85, 86, 90,
D19/91, 92; 206/215, 555, 556, 557; 211/11,
211/126.1–126.7, 126.14, 126.16

See application file for complete search history.

DESCRIPTION

FIG. 1 is a perspective view of a side load tray showing the new design;

FIG. 2 is a front view of the side load tray shown in FIG. 1;

FIG. 3 is a rear view of the side load tray shown in FIG. 1;

FIG. 4 is a left side elevational view of the side load tray shown in FIG. 1 (the right side elevational view of the side load tray is a mirror image of the view shown in FIG. 4);

FIG. 5 is a top view of the side load tray shown in FIG. 1; and,

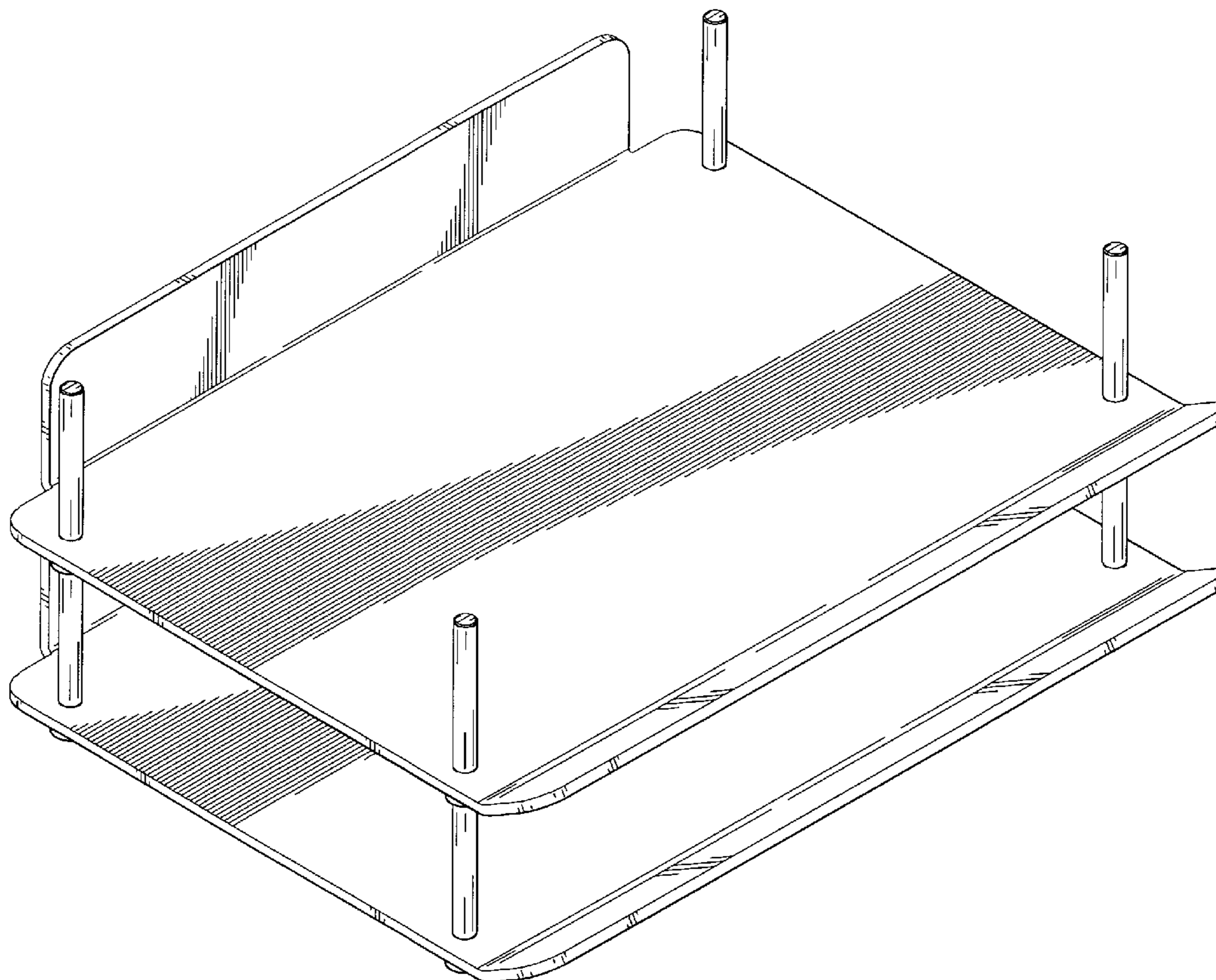
FIG. 6 is a bottom view of the side load tray shown in FIG. 1.

(56) **References Cited**

U.S. PATENT DOCUMENTS

- D116,600 S * 9/1939 Thorn et al. D19/92
- 2,901,120 A * 8/1959 Abrahamson 211/126.12
- 2,940,602 A * 6/1960 Lockwood 211/126.2
- 3,095,093 A * 6/1963 Pelak 211/126.12
- 3,968,881 A * 7/1976 Beil et al. 211/126.12
- 4,550,838 A * 11/1985 Nathan et al. 211/126.12
- D297,689 S * 9/1988 Zimmer D6/473

1 Claim, 6 Drawing Sheets



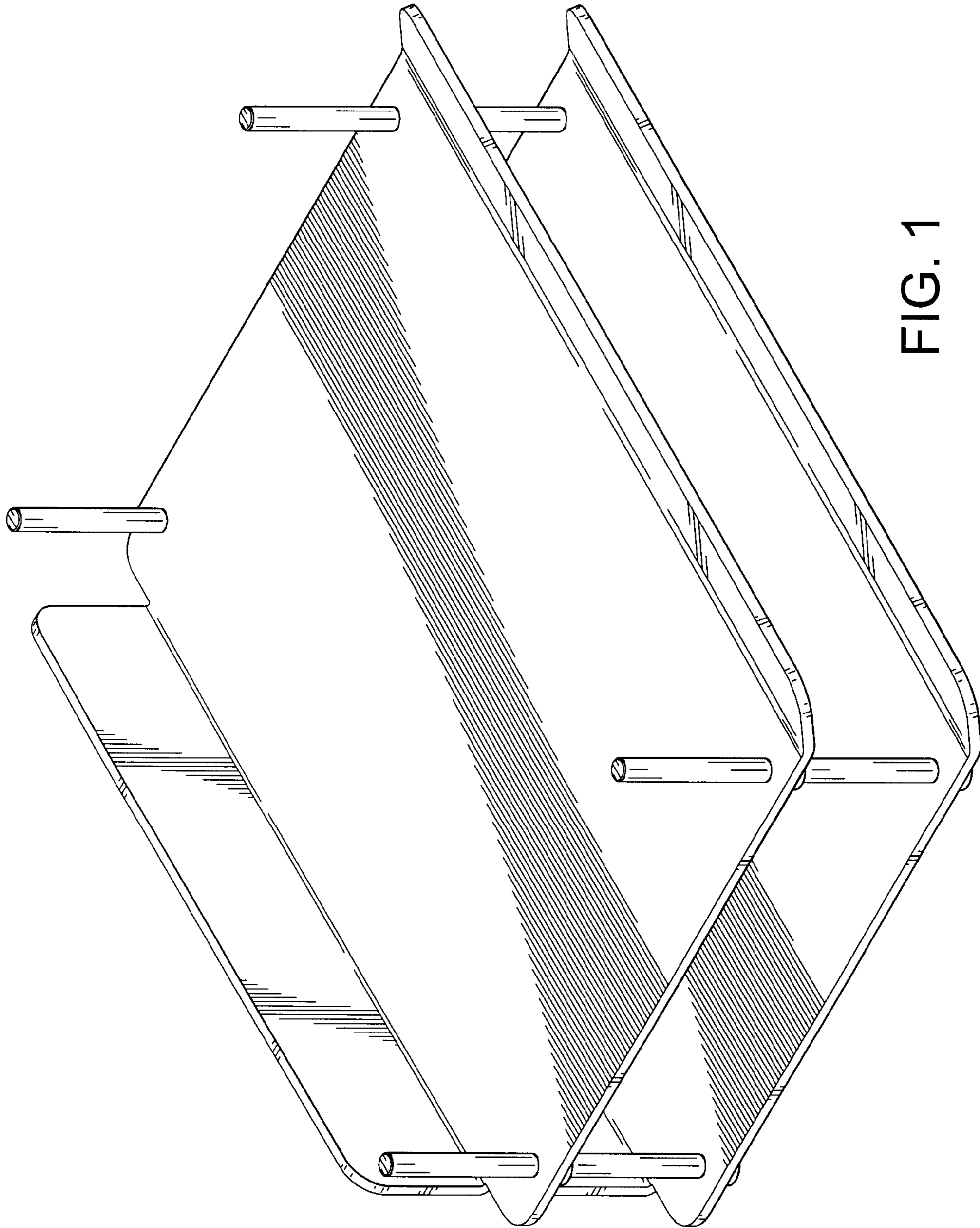


FIG. 1

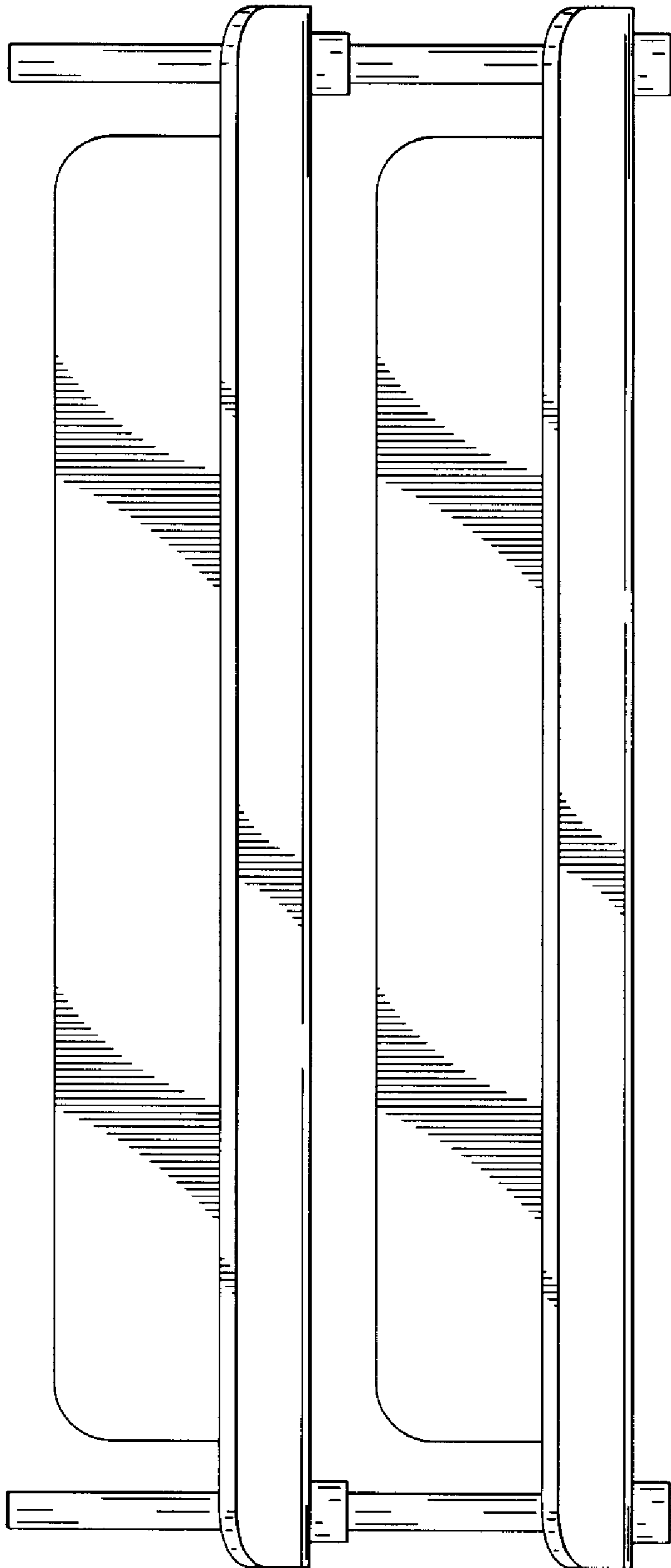


FIG. 2

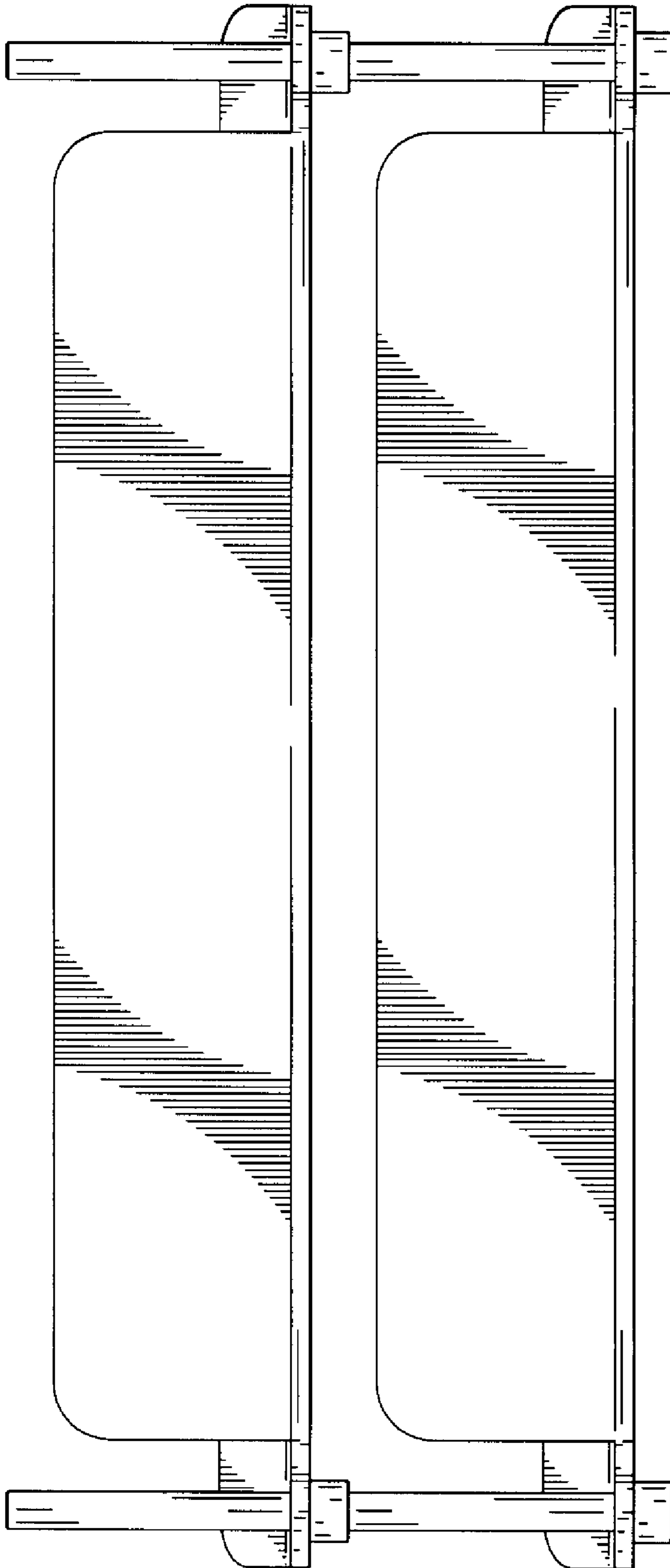


FIG. 3

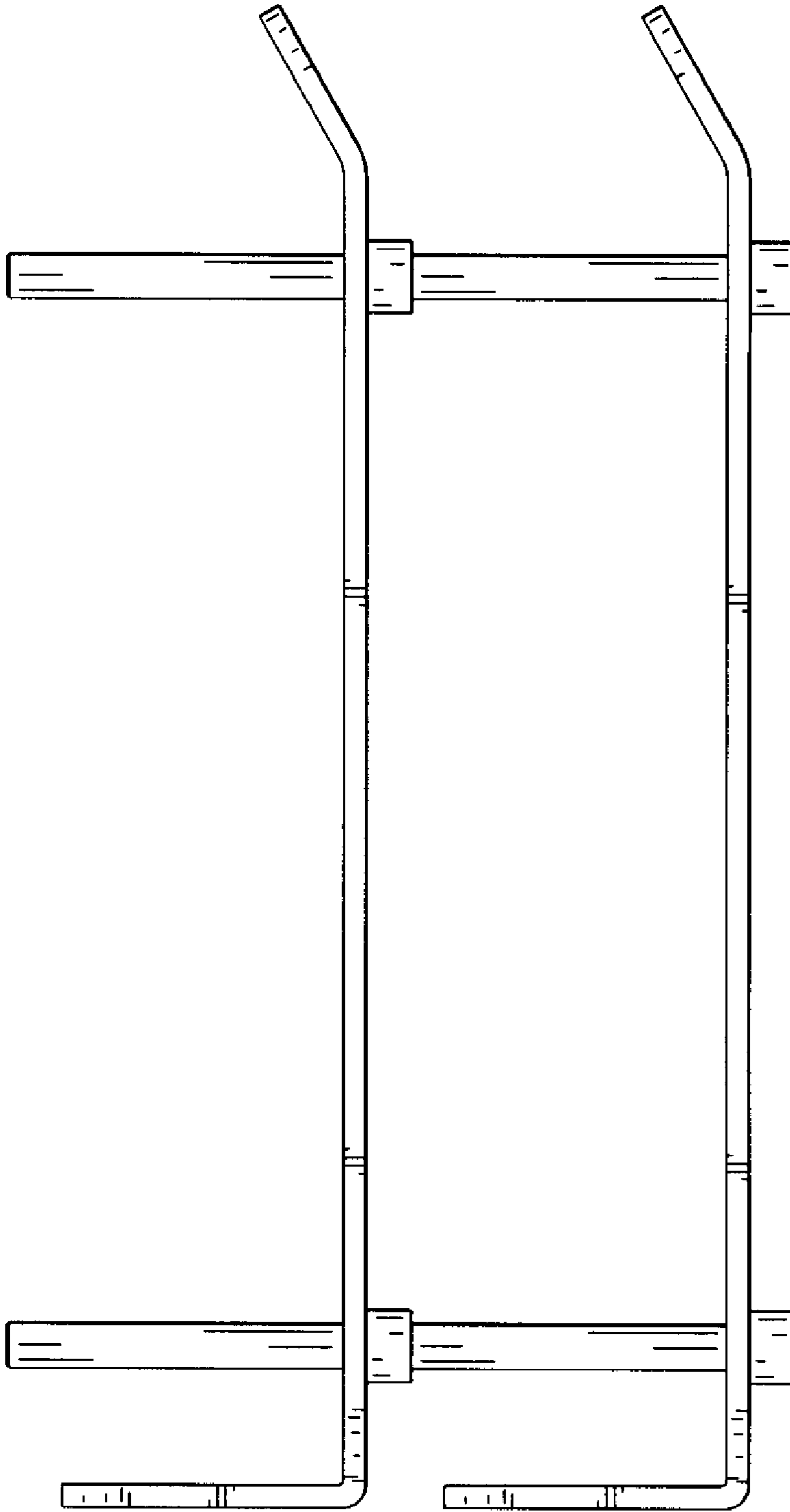


FIG. 4

FIG. 5

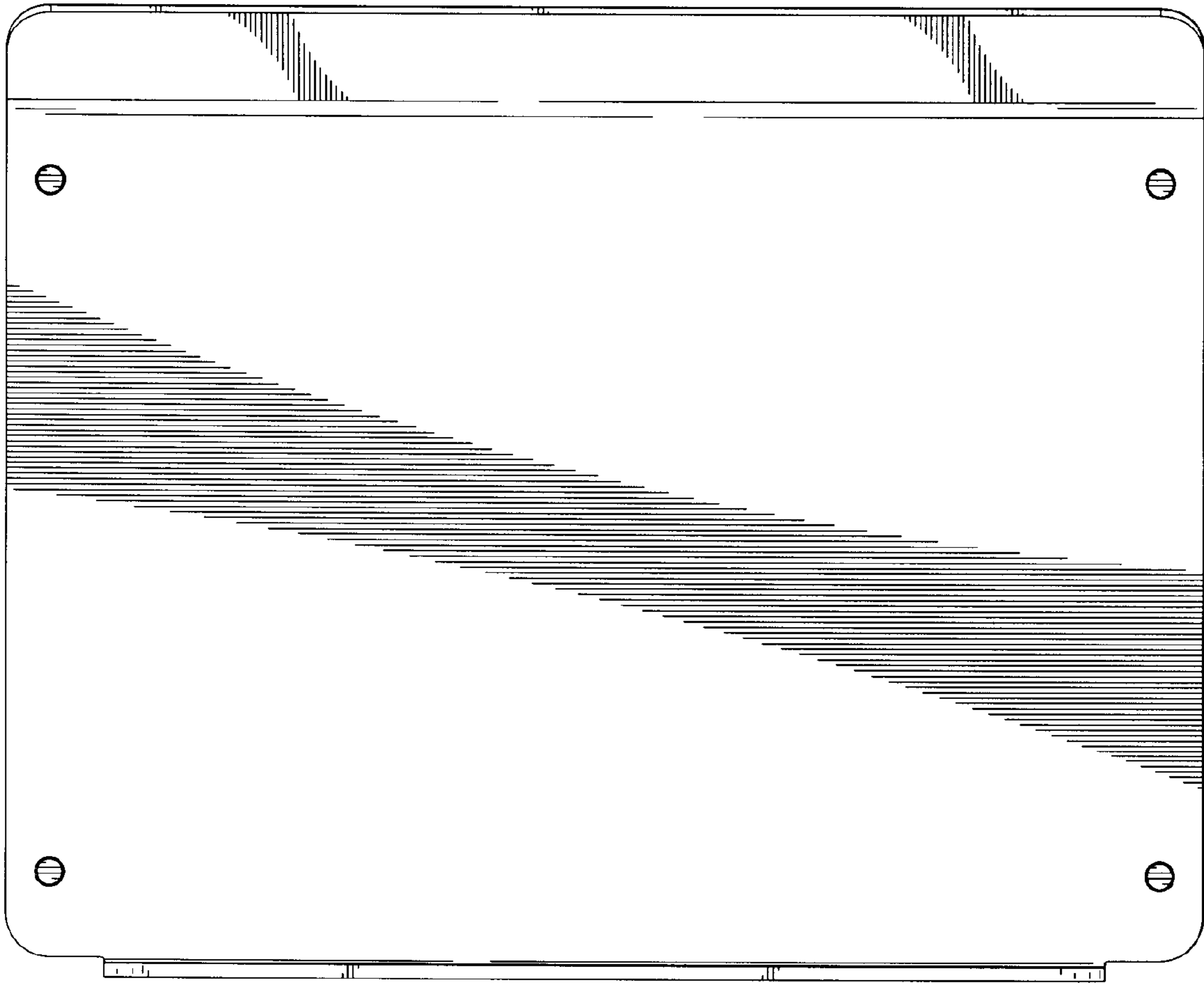


FIG. 6

