



US00D553687S

(12) **United States Design Patent**
Huang

(10) **Patent No.:** **US D553,687 S**

(45) **Date of Patent:** **** Oct. 23, 2007**

(54) **PEN STAND**

(76) Inventor: **Te-Ming Huang**, 5F-No. 16, Lane 609,
Sec. 5, Chung-Hsin Road, San Chung
City, Taipei Hsien (TW)

(**) Term: **14 Years**

(21) Appl. No.: **29/245,905**

(22) Filed: **Dec. 29, 2005**

(51) **LOC (8) Cl.** **19-06**

(52) **U.S. Cl.** **D19/84**

(58) **Field of Classification Search** D6/407,
D6/466-468, 475-476, 512, 553, 556, 589,
D6/571; D19/65, 75-100; 206/224, 425;
211/10-11, 40, 42, 45, 50
See application file for complete search history.

(56) **References Cited**

U.S. PATENT DOCUMENTS

D85,054 S *	9/1931	Platt	D19/84
D85,644 S *	12/1931	Graff	D19/99
2,103,699 A *	12/1937	Sheehan	134/169 R
D226,335 S *	2/1973	Levy	D19/77
D226,336 S *	2/1973	Longarzo	D19/84
D293,690 S *	1/1988	Adler	D19/78
D387,808 S *	12/1997	Carlson	D19/99
D388,464 S *	12/1997	Najbart	D19/78
D389,516 S *	1/1998	Delman	D19/36
D482,394 S *	11/2003	Chiu	D19/36

OTHER PUBLICATIONS

light:night by Emphasis Products, Inc., as shown on <http://toydirectory.com>, dated May 25, 2006 (1 page).*

* cited by examiner

Primary Examiner—Elizabeth A. Albert
Assistant Examiner—Karen E Eldridge Powers

(57) **CLAIM**

The ornamental design for pen stand, as shown and described.

DESCRIPTION

FIG. 1 is a perspective view of pen stand showing my new design;

FIG. 2 is a front elevational view thereof;

FIG. 3 is a rear elevational view thereof;

FIG. 4 is a left elevational view thereof;

FIG. 5 is a right elevational view thereof;

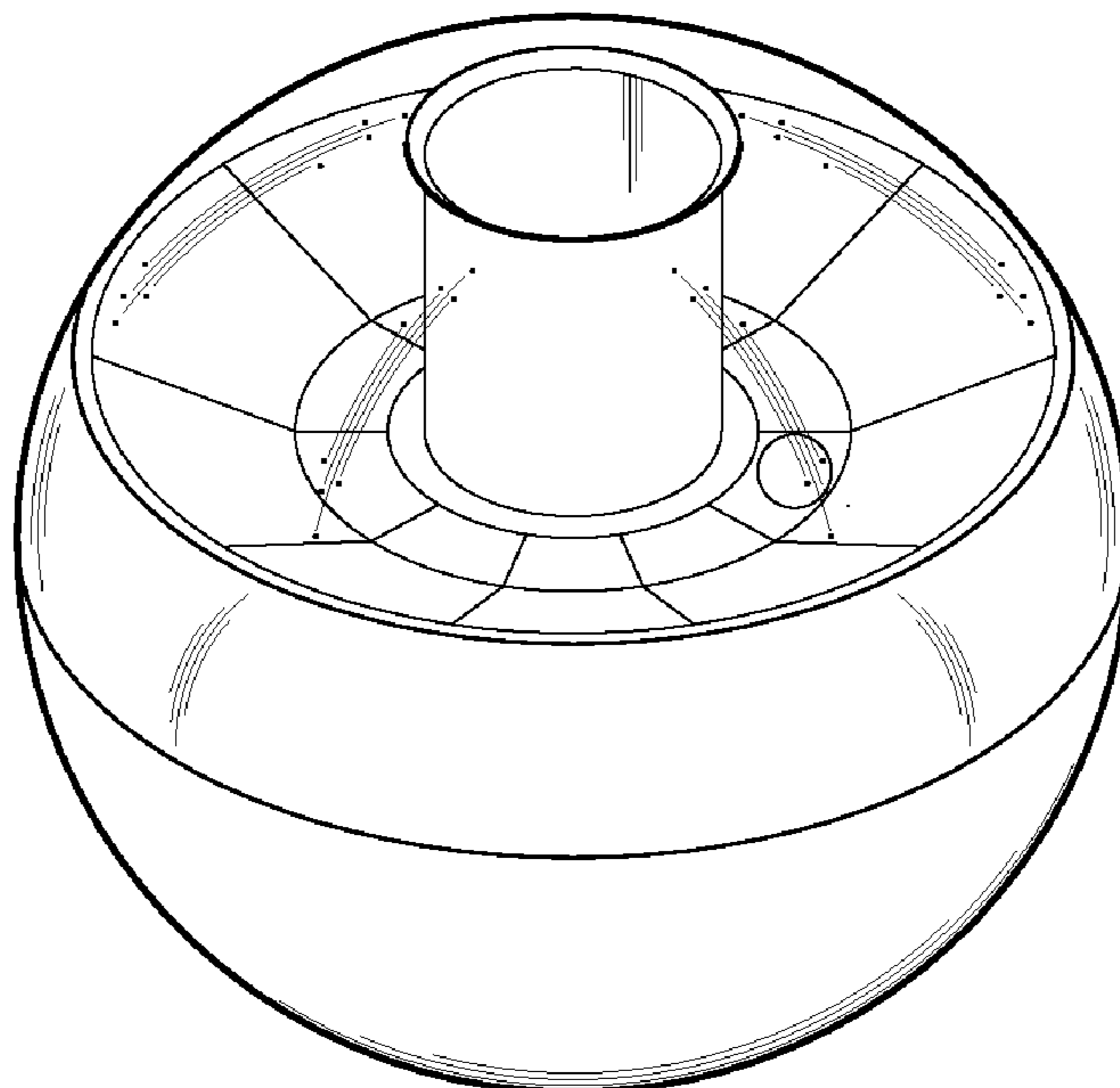
FIG. 6 is a top view thereof;

FIG. 7 is a bottom view thereof; and,

FIG. 8 is a perspective view of the claimed design as shown in FIG. 1, with an inserted pen shown in broken lines for ease of illustration.

The broken lines are shown for ease of illustration, and form no part of the claimed design.

1 Claim, 8 Drawing Sheets



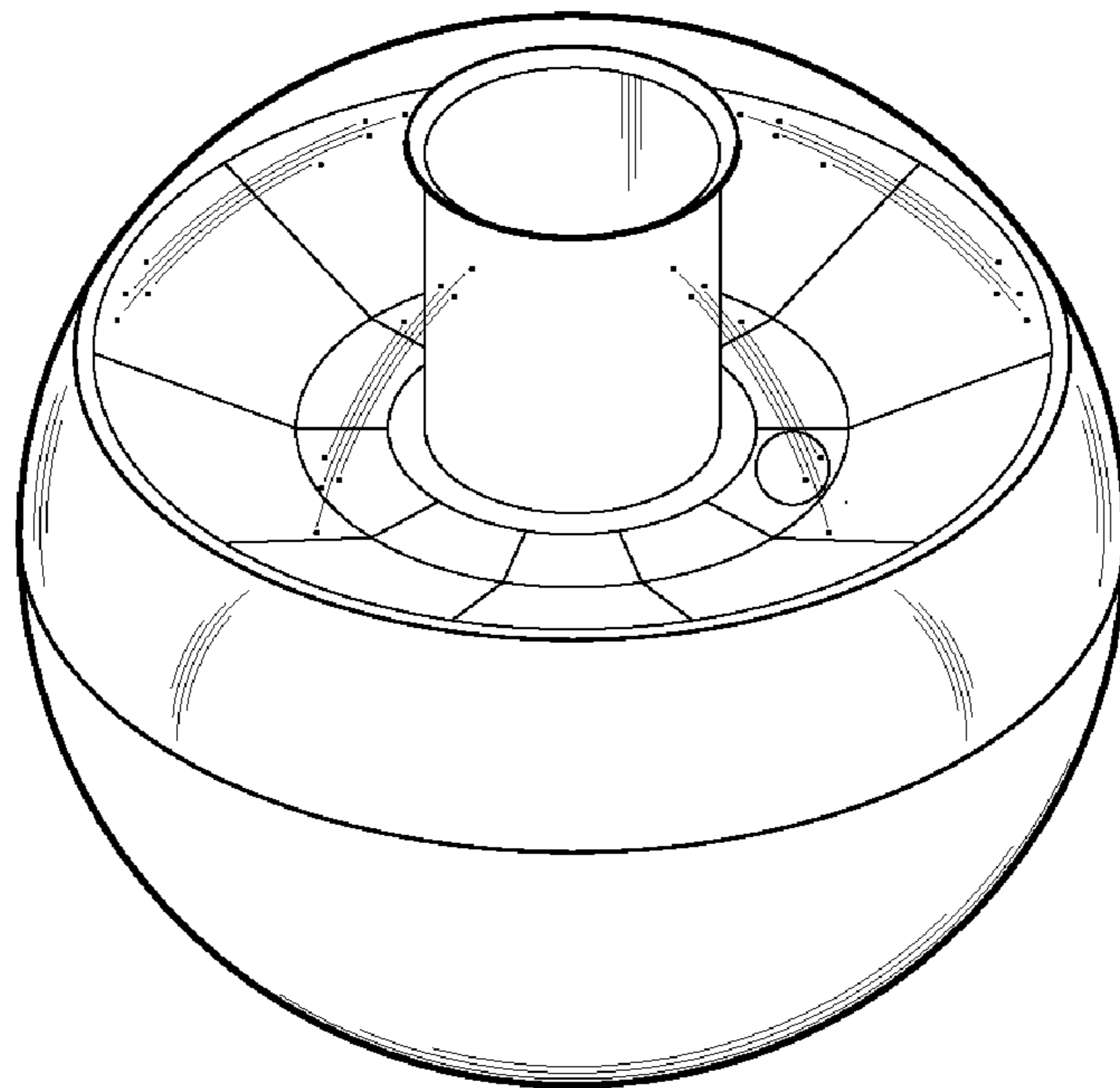


FIG. 1

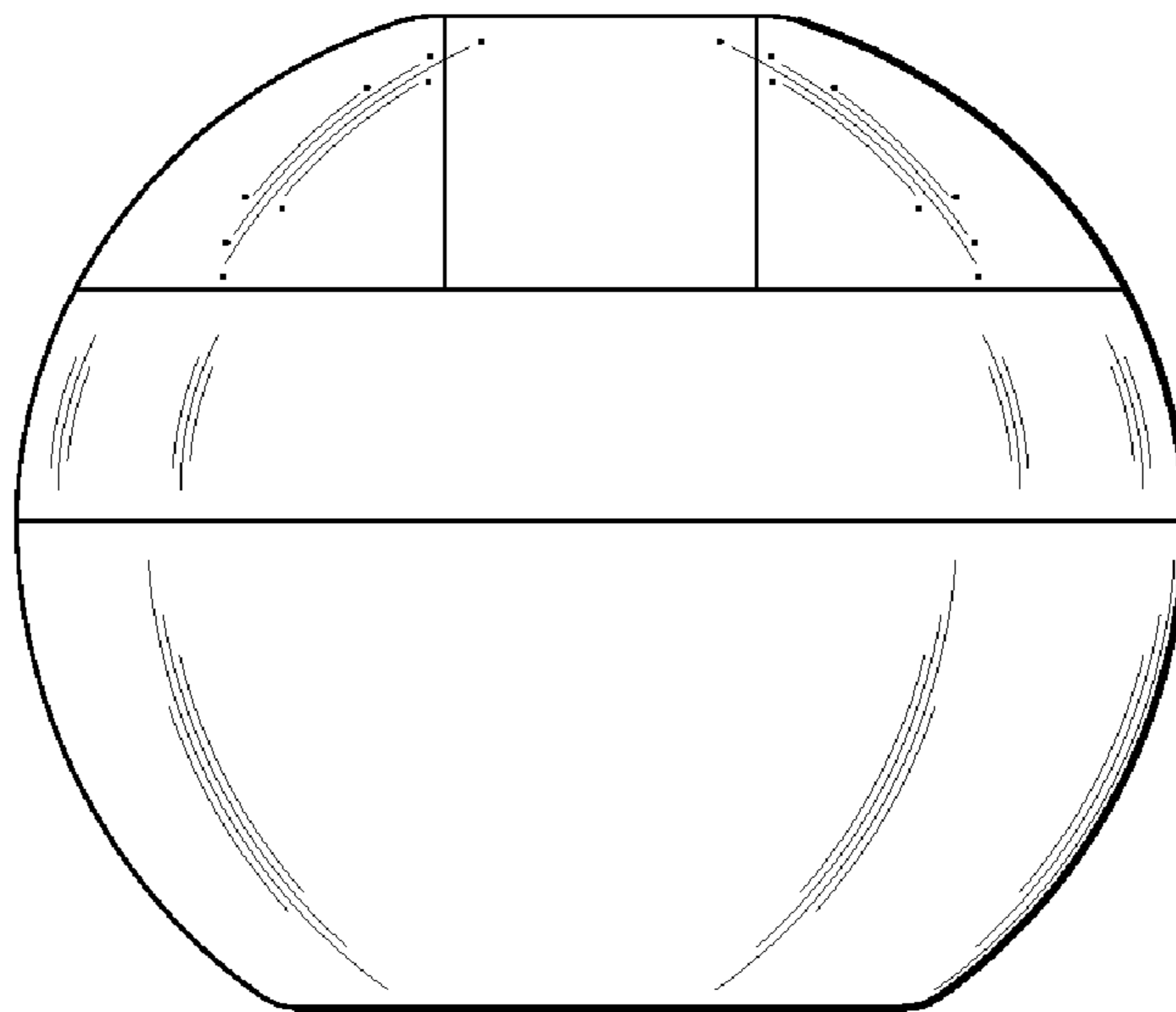


FIG. 2

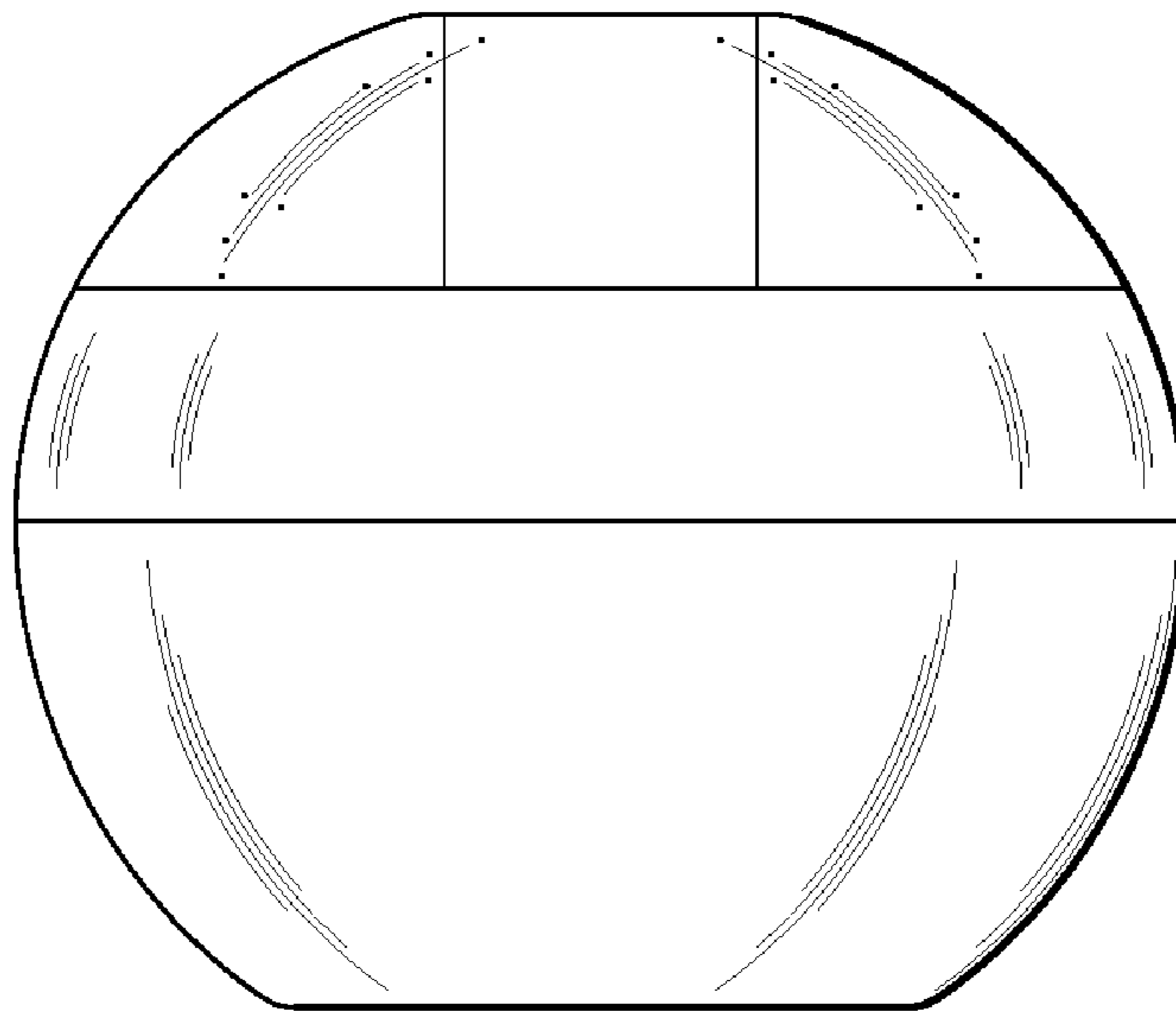


FIG. 3

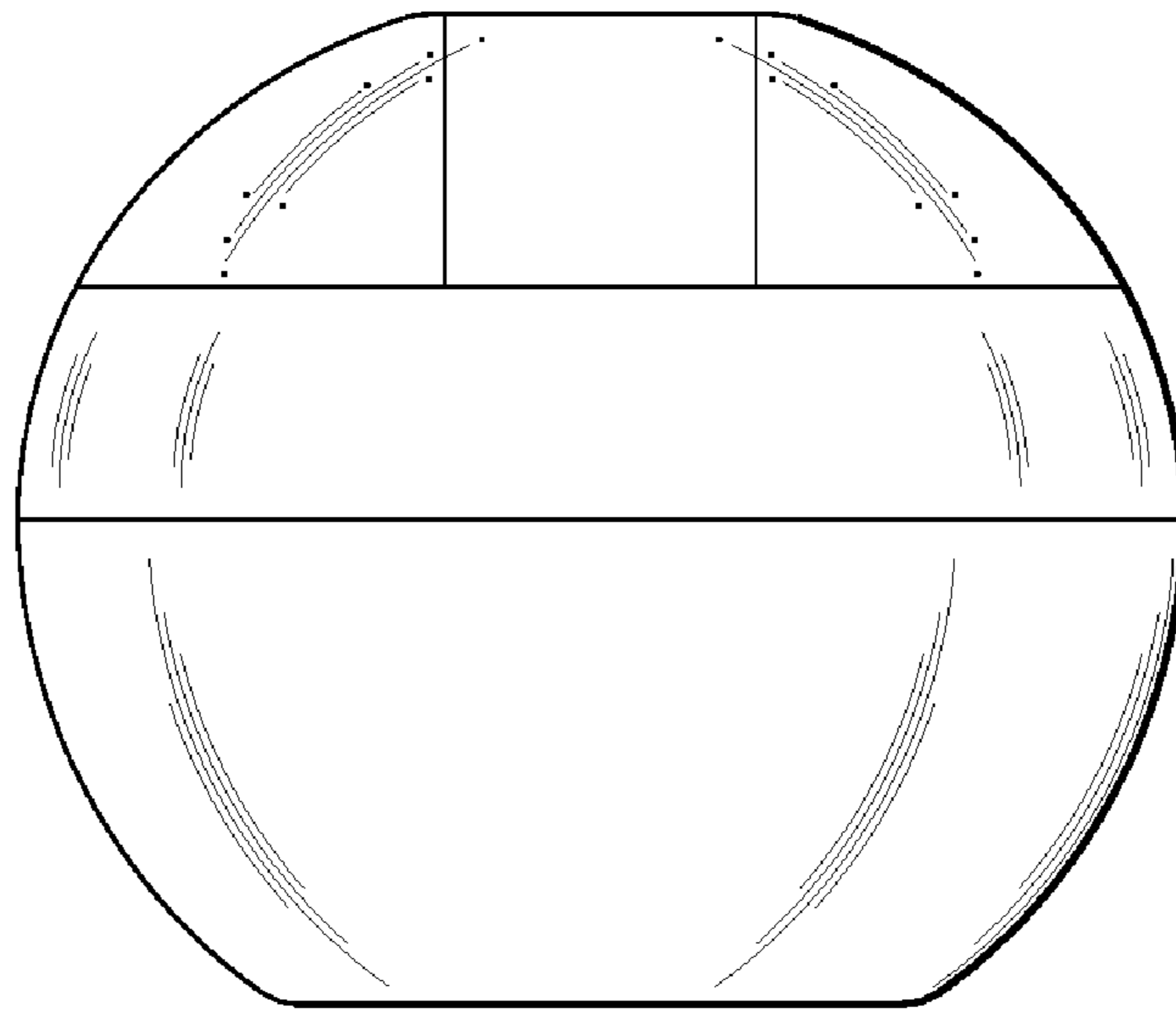


FIG. 4

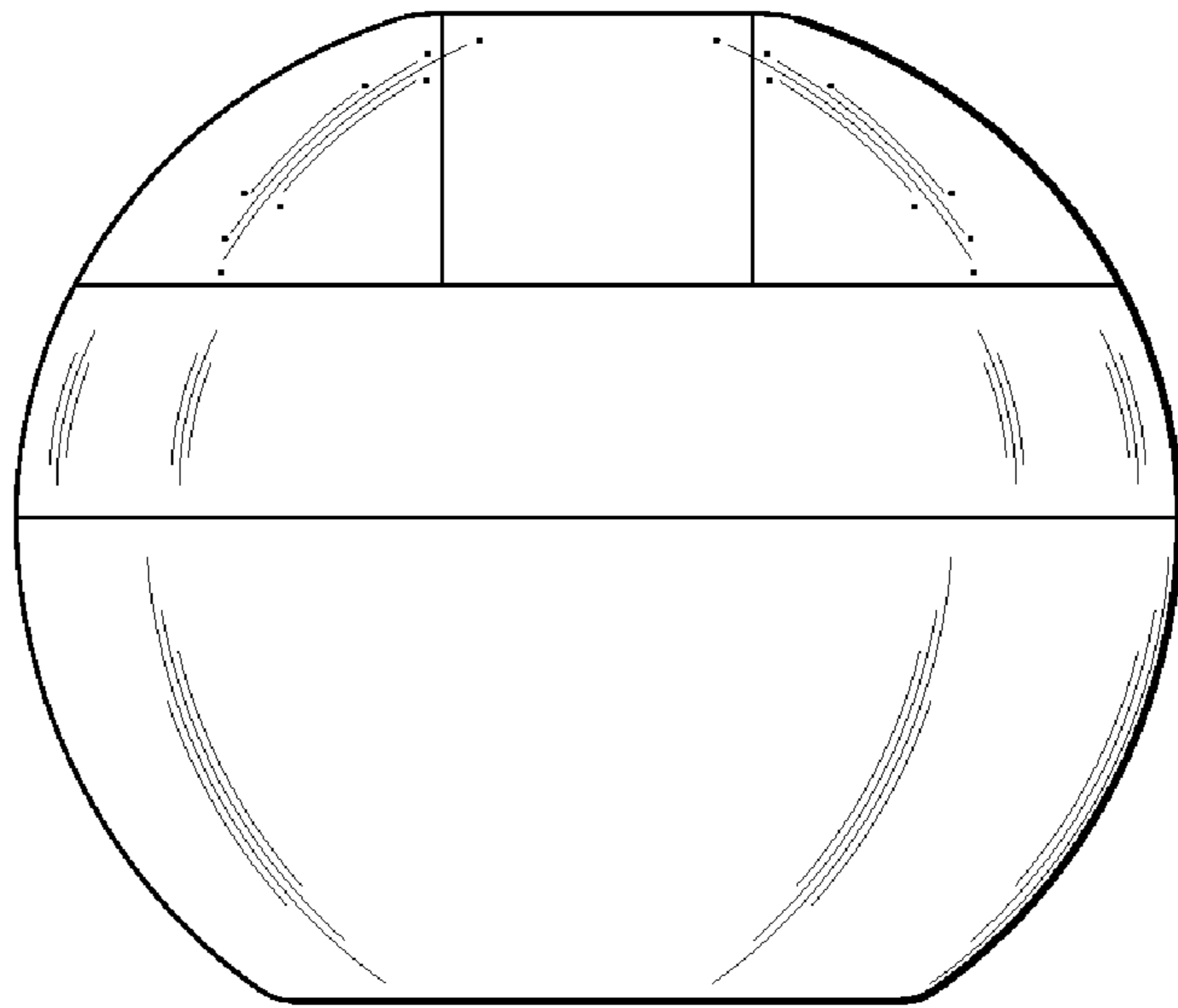


FIG. 5

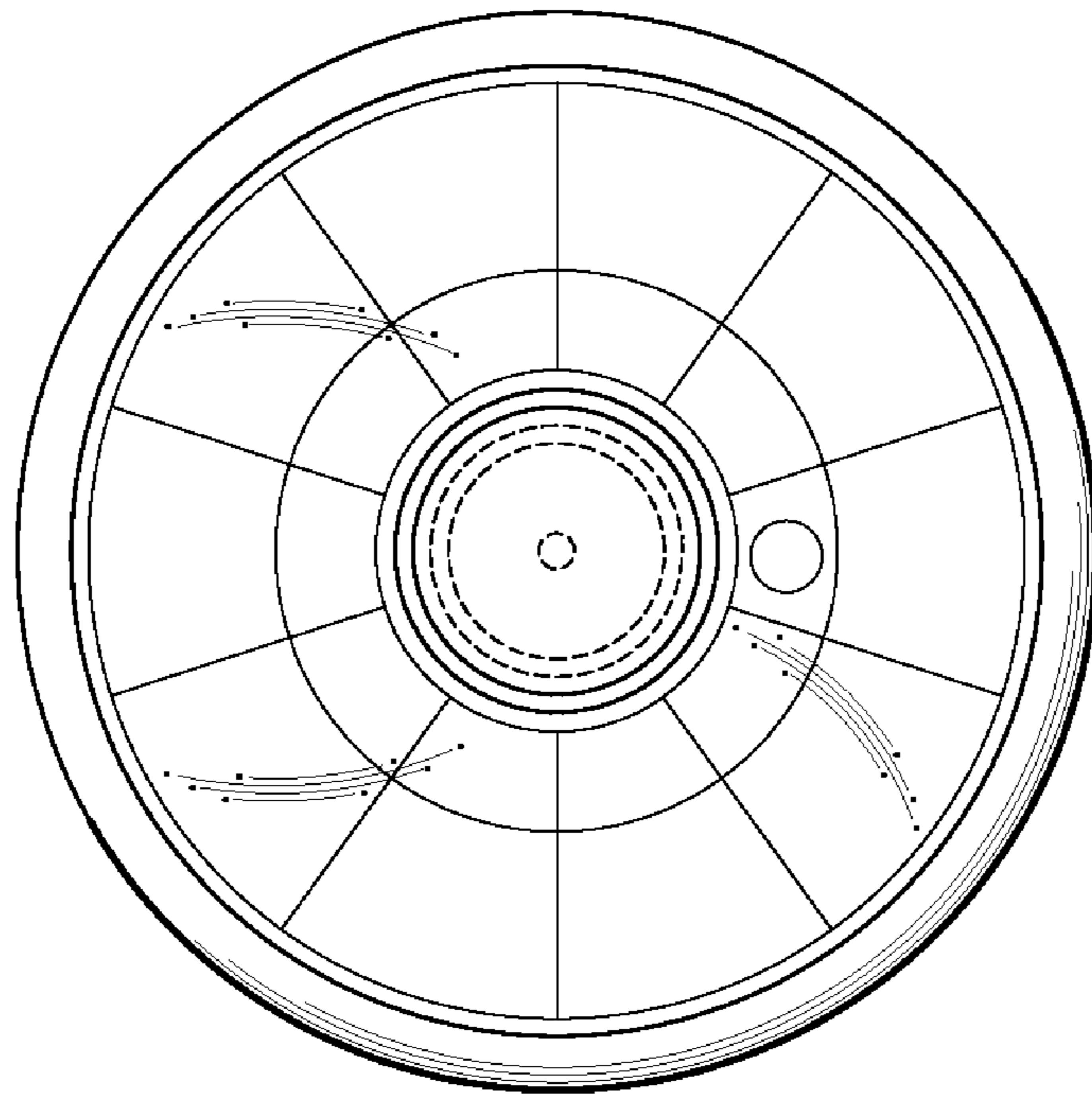


FIG. 6

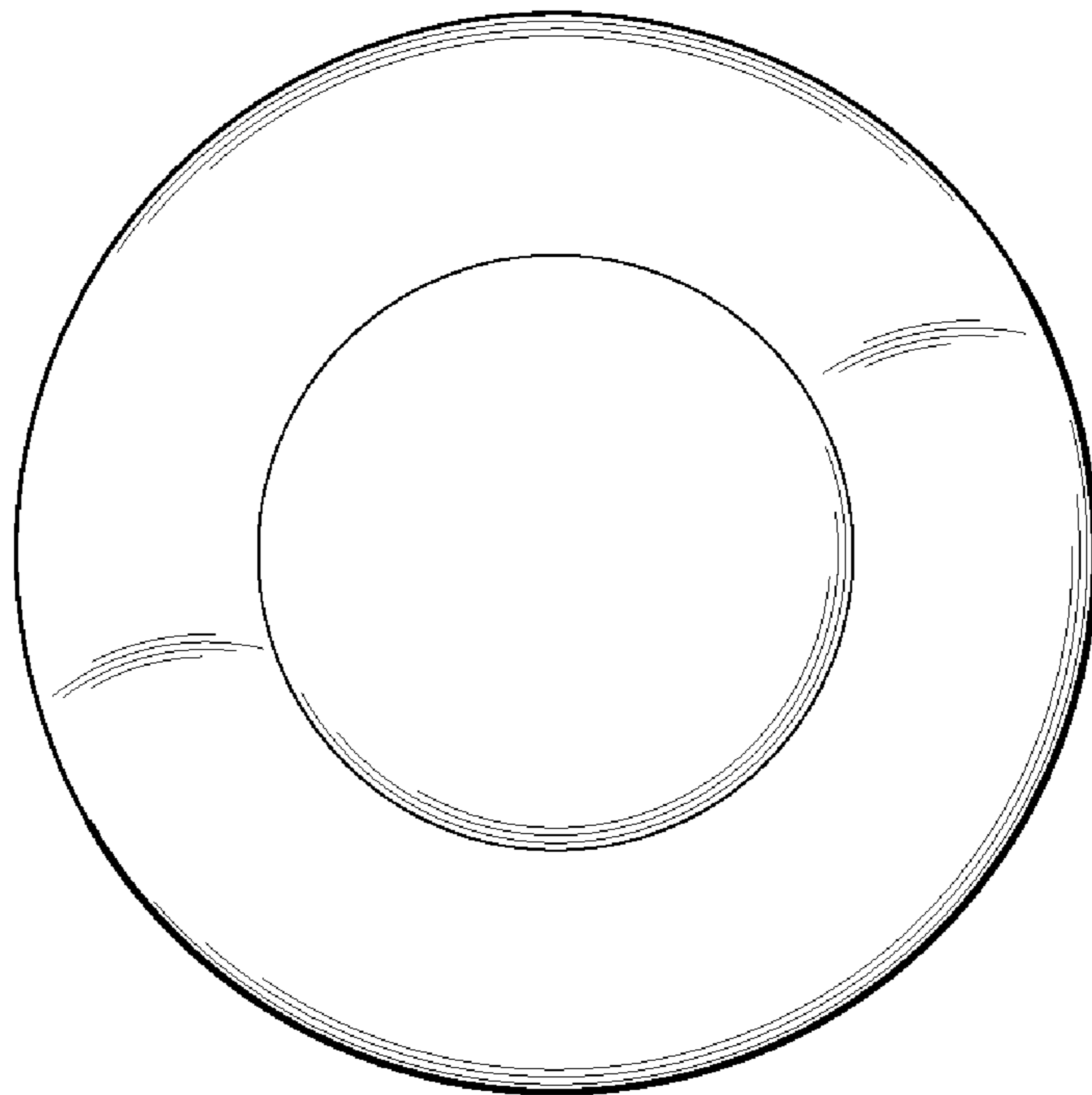


FIG. 7

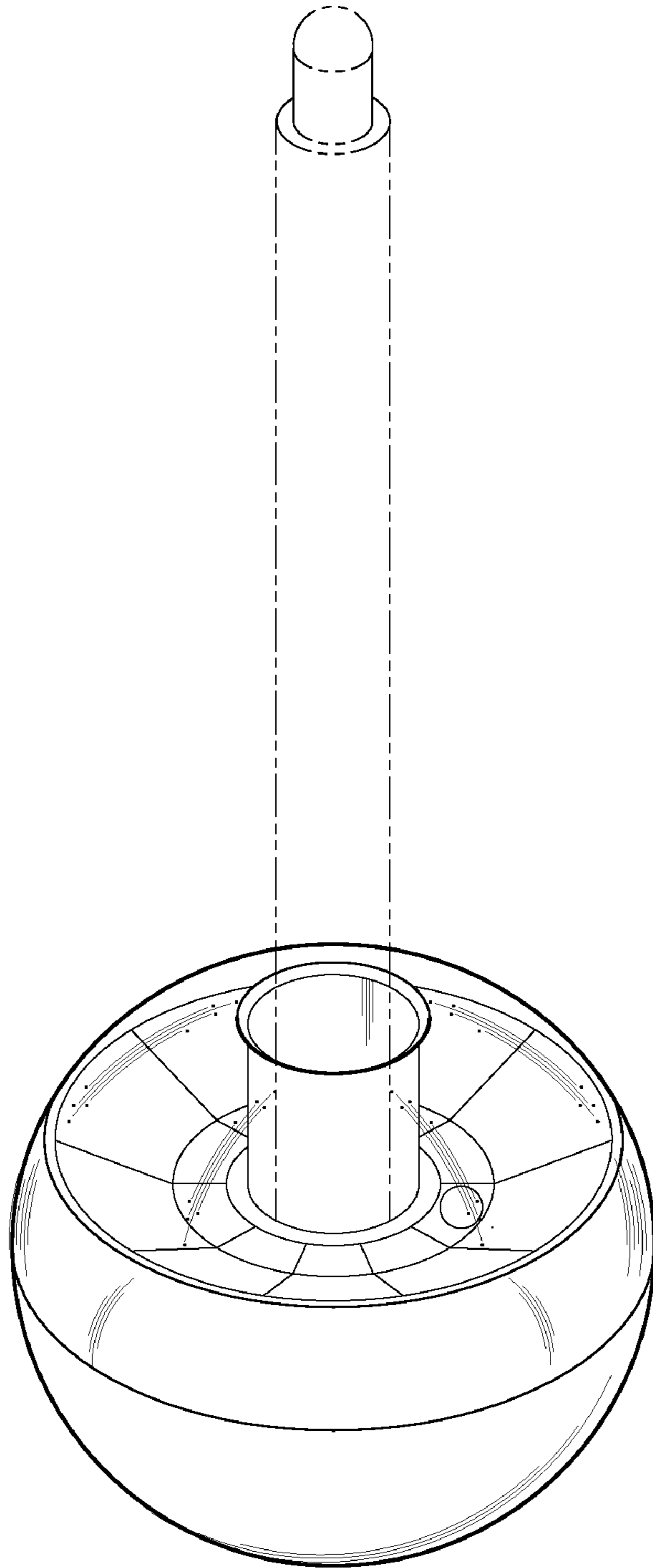


FIG. 8