



US00D553686S

(12) **United States Design Patent**
Chen et al.

(10) **Patent No.:** **US D553,686 S**

(45) **Date of Patent:** **** Oct. 23, 2007**

(54) **TAPE DISPENSER**

(75) Inventors: **Peter Chen**, West Windsor, NJ (US);
Jungkun Lee, Edison, NJ (US);
Xiaoquan Luo, Bronx, NY (US)

(73) Assignee: **Officemate International Corp.**,
Edison, NJ (US)

(**) Term: **14 Years**

(21) Appl. No.: **29/267,601**

(22) Filed: **Oct. 18, 2006**

(51) **LOC (8) Cl.** **19-02**

(52) **U.S. Cl.** **D19/69**

(58) **Field of Classification Search** D19/70,
D19/69, 36, 68; 242/588.6, 588.3, 588.2;
225/77, 6, 56, 39, 26, 25, 19, 11; 206/411;
156/577, 527, 523

See application file for complete search history.

(56) **References Cited**

U.S. PATENT DOCUMENTS

- D248,561 S * 7/1978 Deering, Jr. D19/69
- D289,180 S * 4/1987 Crawford et al. D19/69
- D331,072 S * 11/1992 Dotterman et al. D19/69
- D359,511 S * 6/1995 Nash et al. D19/69

- D404,430 S * 1/1999 Shen D19/69
- D486,521 S * 2/2004 Crawford et al. D19/69
- D510,952 S * 10/2005 Piltz et al. D19/69

* cited by examiner

Primary Examiner—Cathron C. Brooks

Assistant Examiner—Austin Murphy

(74) *Attorney, Agent, or Firm*—Daniel Kirshner

(57) **CLAIM**

The ornamental design for a tape dispenser, as shown and described.

DESCRIPTION

FIG. 1 is a right side perspective view of a tape dispenser showing the new design;

FIG. 2 is a left side perspective view thereof;

FIG. 3 is a right side elevational view thereof;

FIG. 4 is left side elevational view thereof;

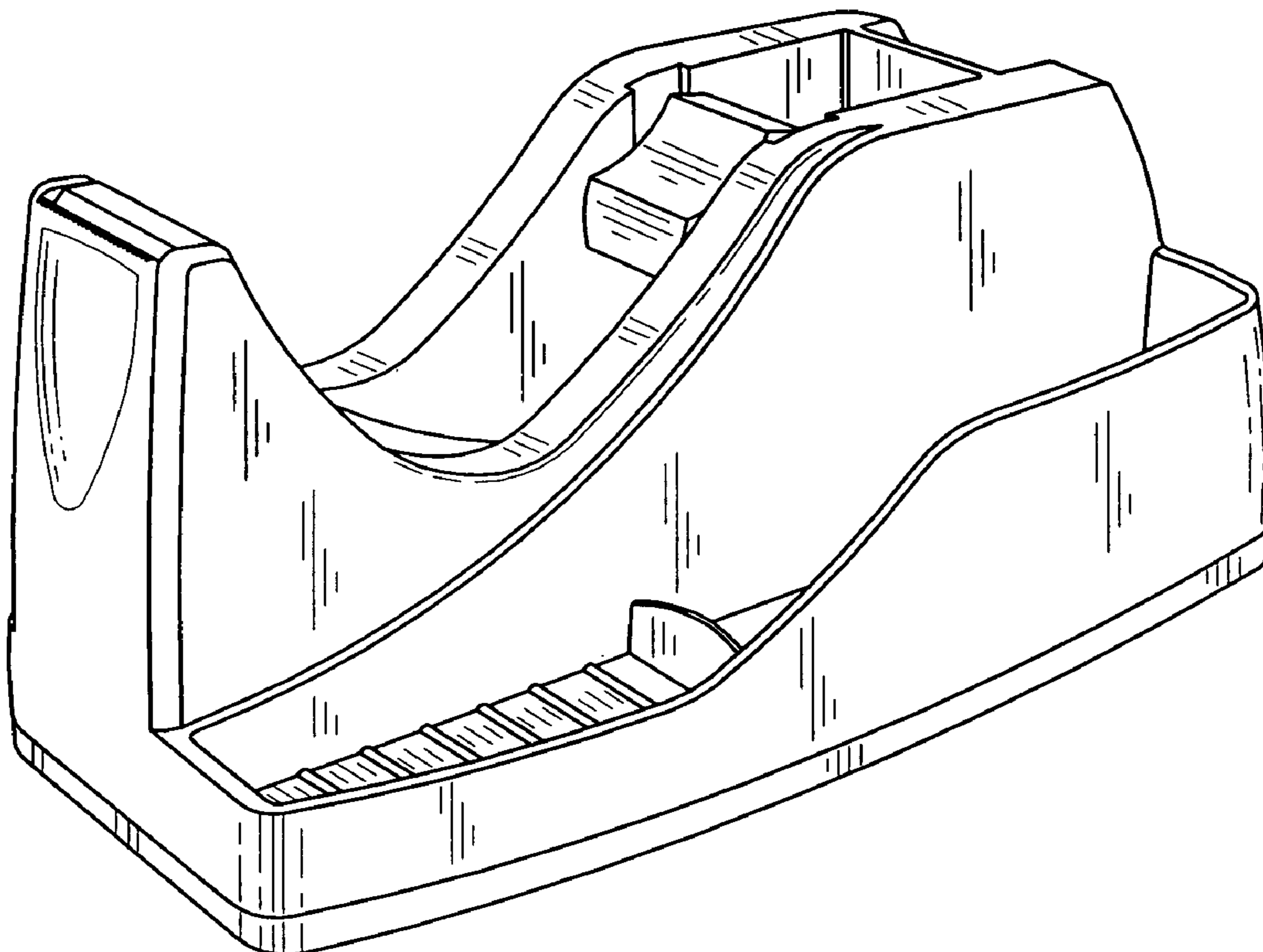
FIG. 5 is a top view thereof;

FIG. 6 is a bottom view thereof;

FIG. 7 is a front elevational view thereof; and,

FIG. 8 is a rear elevational view thereof.

1 Claim, 8 Drawing Sheets



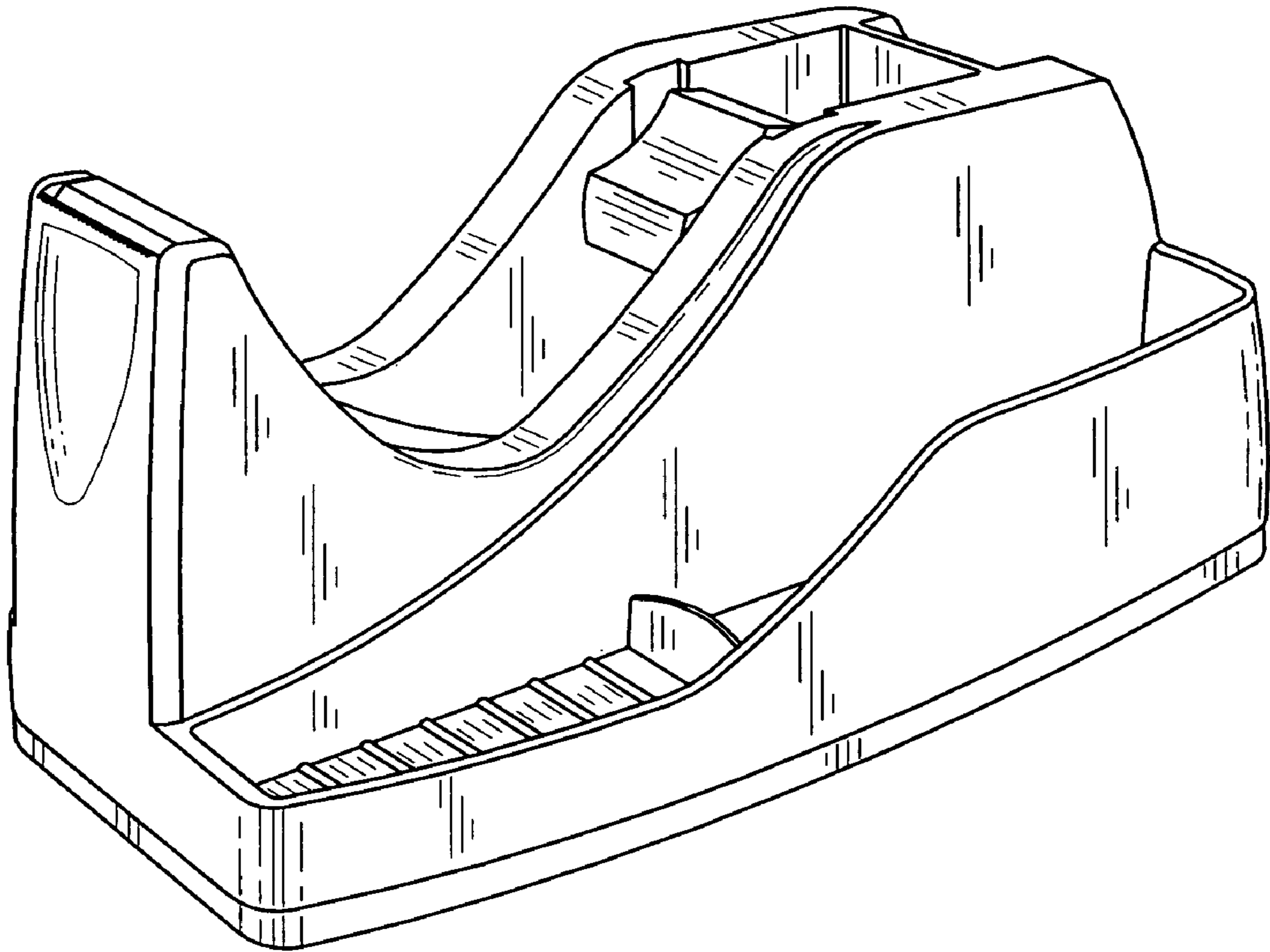


FIG. 1

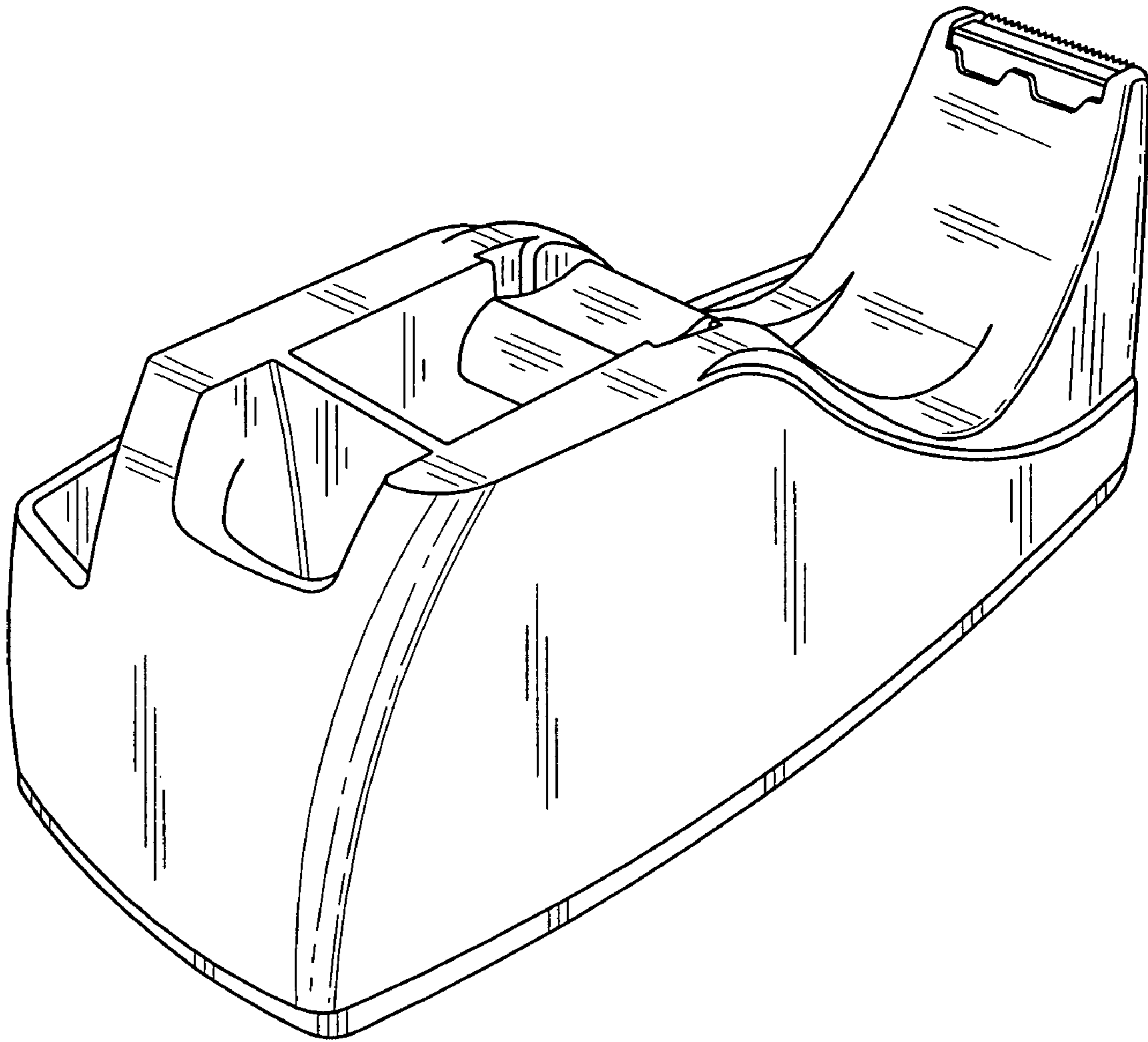


FIG. 2

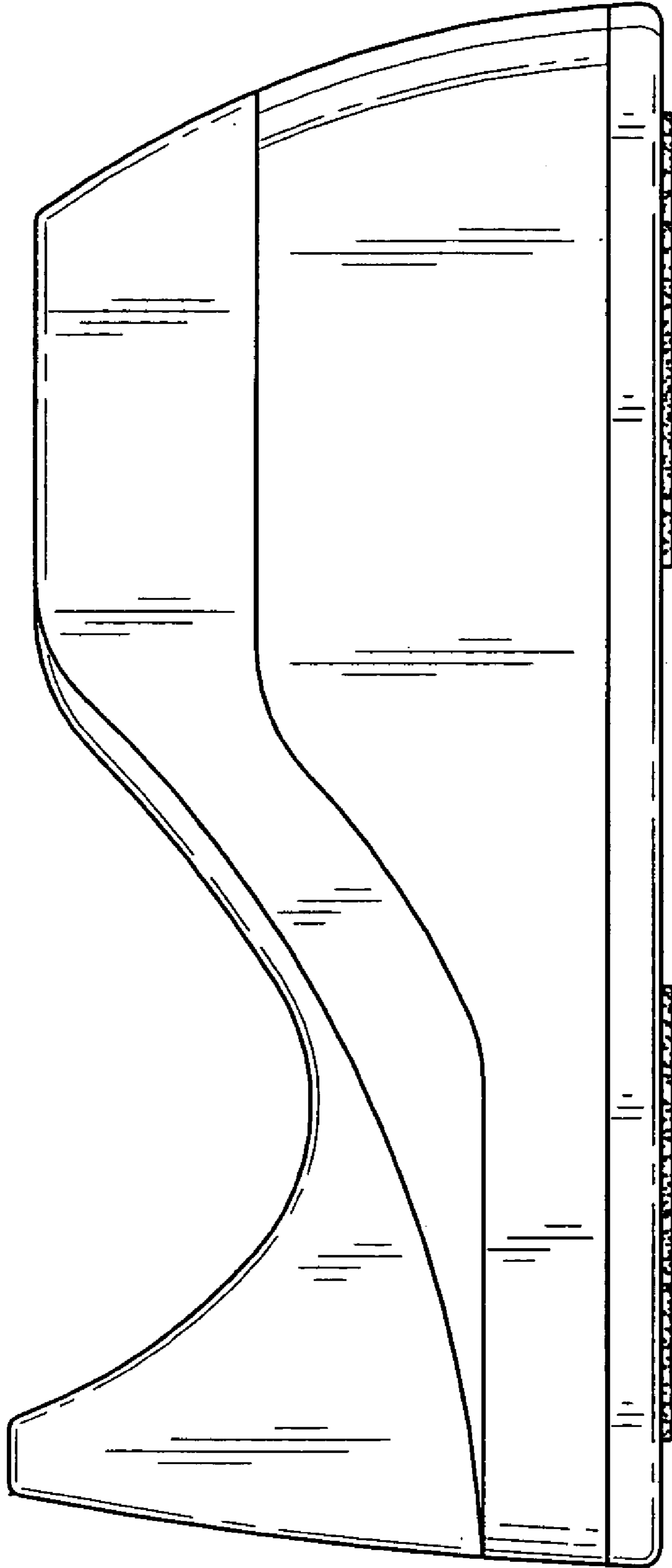


FIG. 3

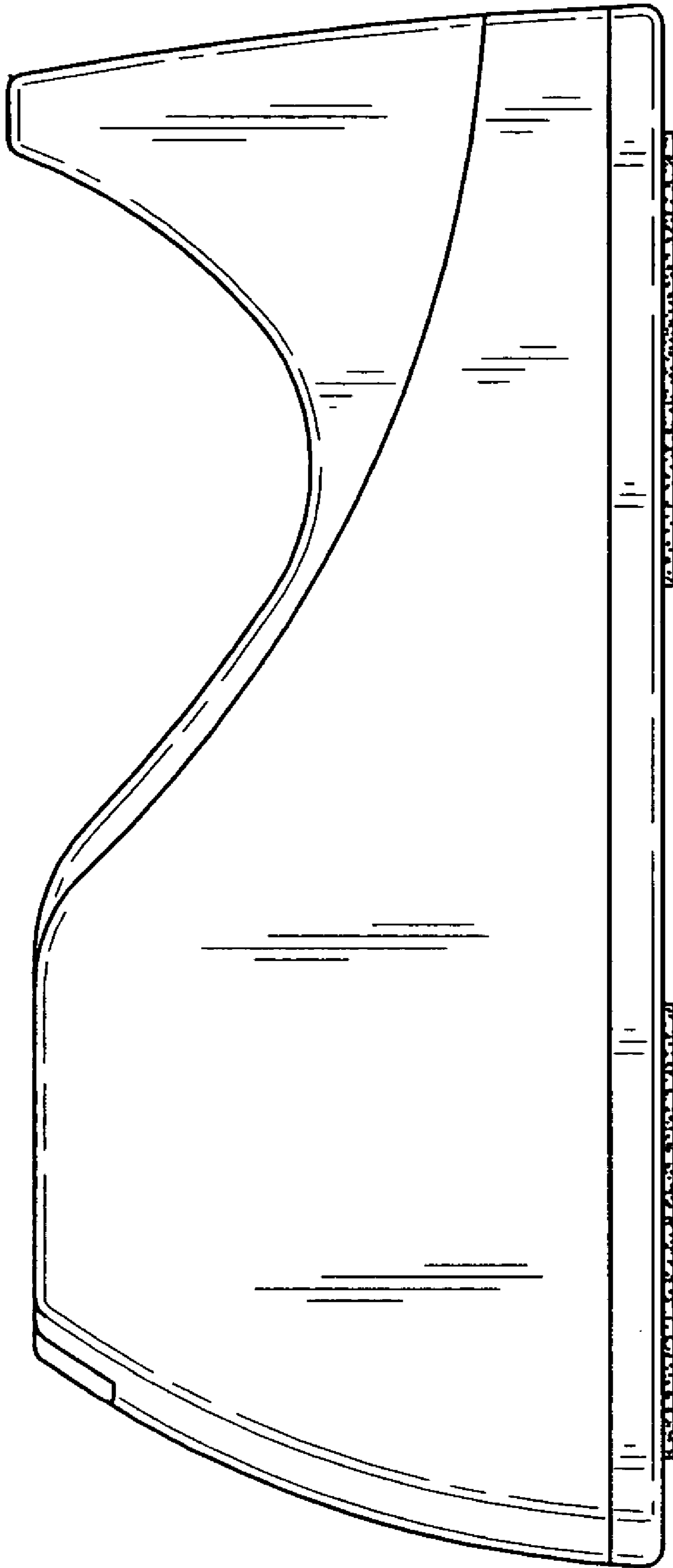


FIG. 4

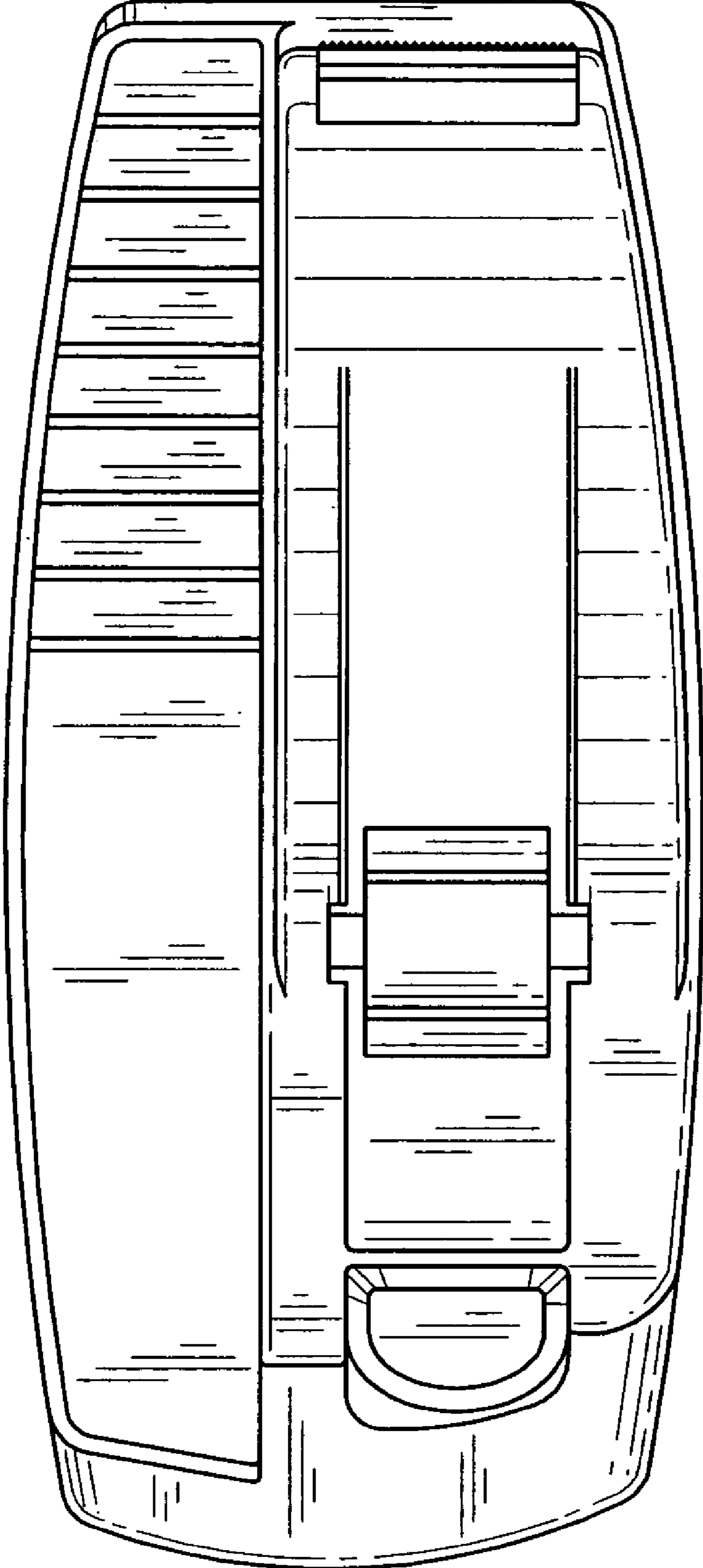


FIG. 5

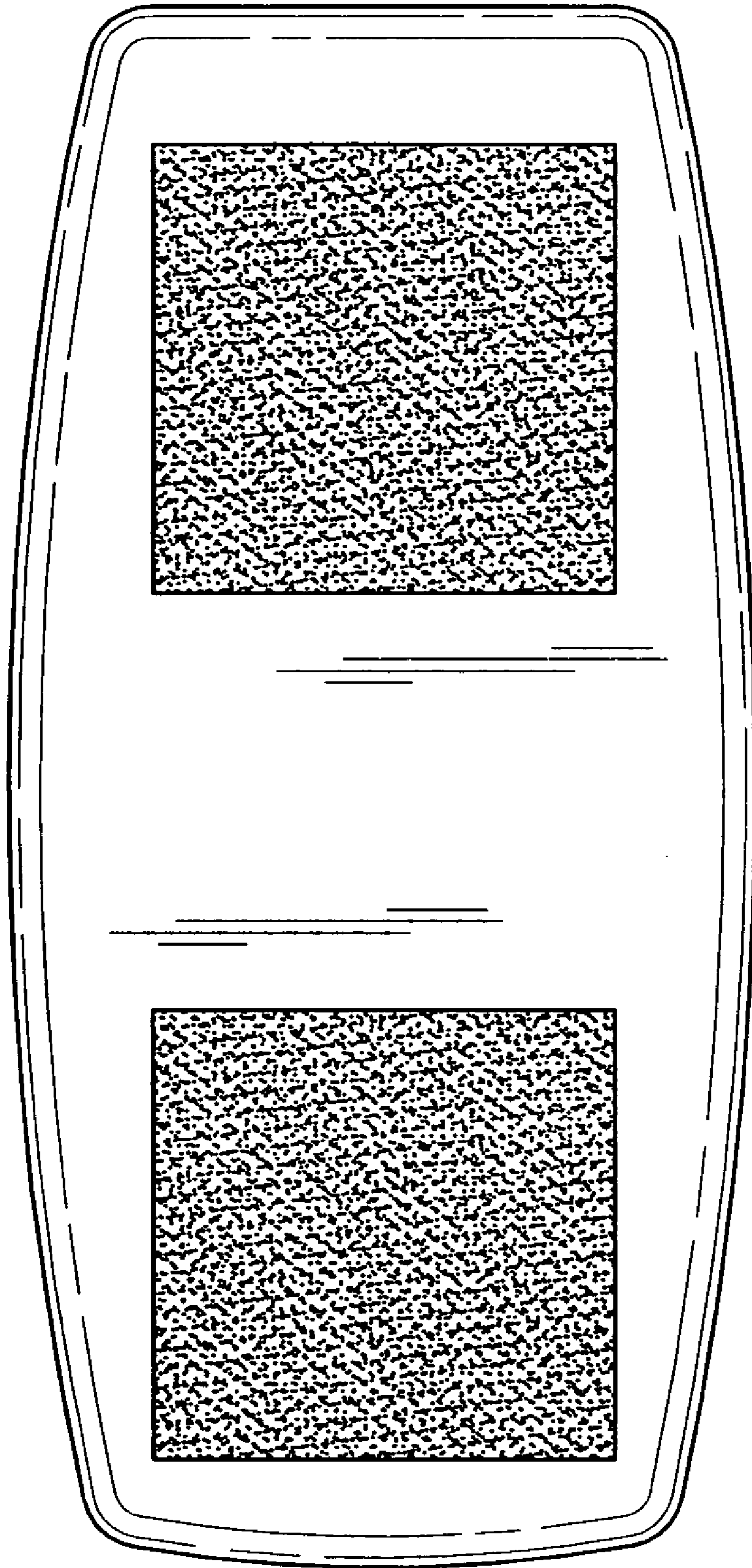


FIG. 6

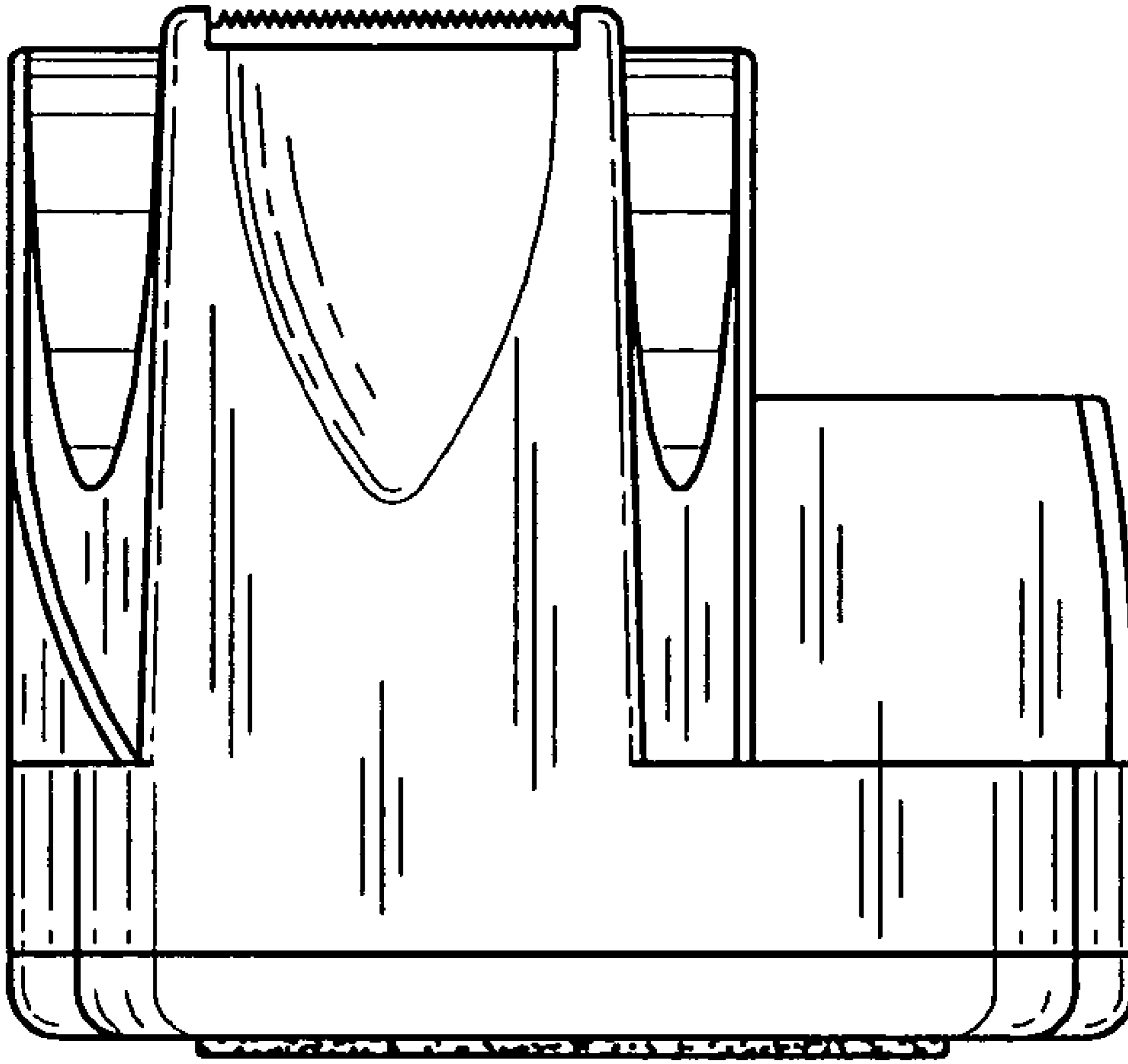


FIG. 7

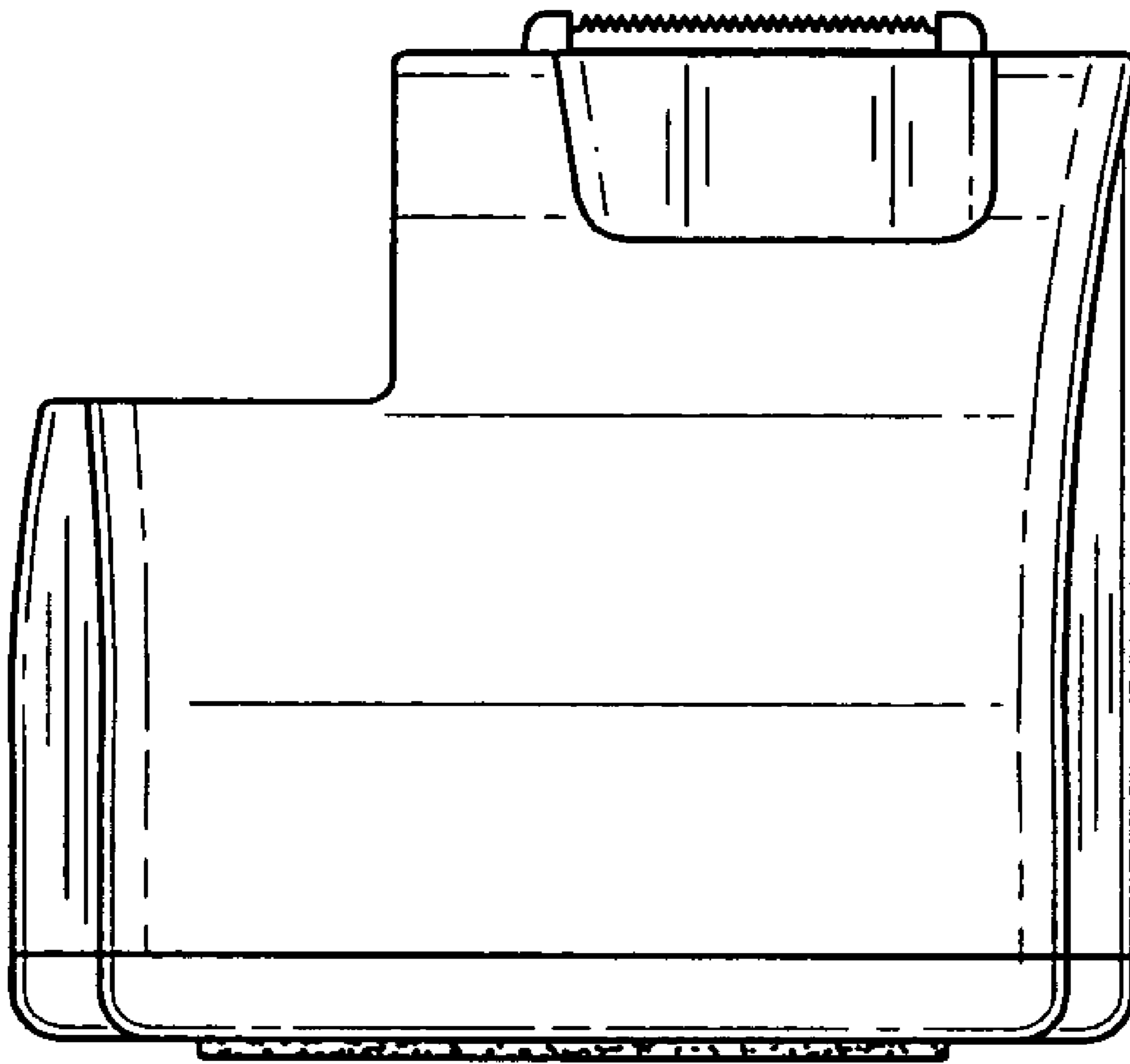


FIG. 8