



US00D553681S

(12) **United States Design Patent**  
**Cetera**

(10) **Patent No.:** **US D553,681 S**

(45) **Date of Patent:** **\*\* Oct. 23, 2007**

(54) **PEN**

(75) **Inventor:** **Carl Cetera**, Tenafly, NJ (US)

(73) **Assignee:** **Cotapaxi Custom Design and Manufacturing, LLC**, Carlstadt, NJ (US)

(\*\*) **Term:** **14 Years**

(21) **Appl. No.:** **29/246,281**

(22) **Filed:** **Mar. 29, 2006**

(51) **LOC (8) Cl.** ..... **19-06**

(52) **U.S. Cl.** ..... **D19/51**

(58) **Field of Classification Search** ..... D19/36,  
D19/37, 41-51; 24/11 R, 11 F, 11 P; 401/52,  
401/99, 100, 104, 105, 106, 107, 108, 109,  
401/192, 195, 196

See application file for complete search history.

(56) **References Cited**

**U.S. PATENT DOCUMENTS**

- D397,723 S \* 9/1998 Izushima ..... D19/49
- D425,559 S \* 5/2000 Beneyto ..... D19/51
- D427,633 S \* 7/2000 Pellisa Beneyto ..... D19/51
- D430,210 S \* 8/2000 Shimizu ..... D19/51

- D458,306 S \* 6/2002 Moon ..... D19/51
- D482,067 S \* 11/2003 Yang ..... D19/50
- D499,762 S \* 12/2004 Shova et al. .... D19/43
- D504,153 S \* 4/2005 Yang ..... D19/43
- D523,081 S \* 6/2006 Pellissa Beneyto ..... D19/51

**FOREIGN PATENT DOCUMENTS**

DE DM/067985 \* 6/2006

\* cited by examiner

*Primary Examiner*—Elizabeth A. Albert

(74) *Attorney, Agent, or Firm*—The Soni Law Firm

(57) **CLAIM**

The ornamental design for a pen, as shown and described.

**DESCRIPTION**

FIG. 1 is a front side perspective view of a pen showing my new design;

FIG. 2 is a side elevational view thereof;

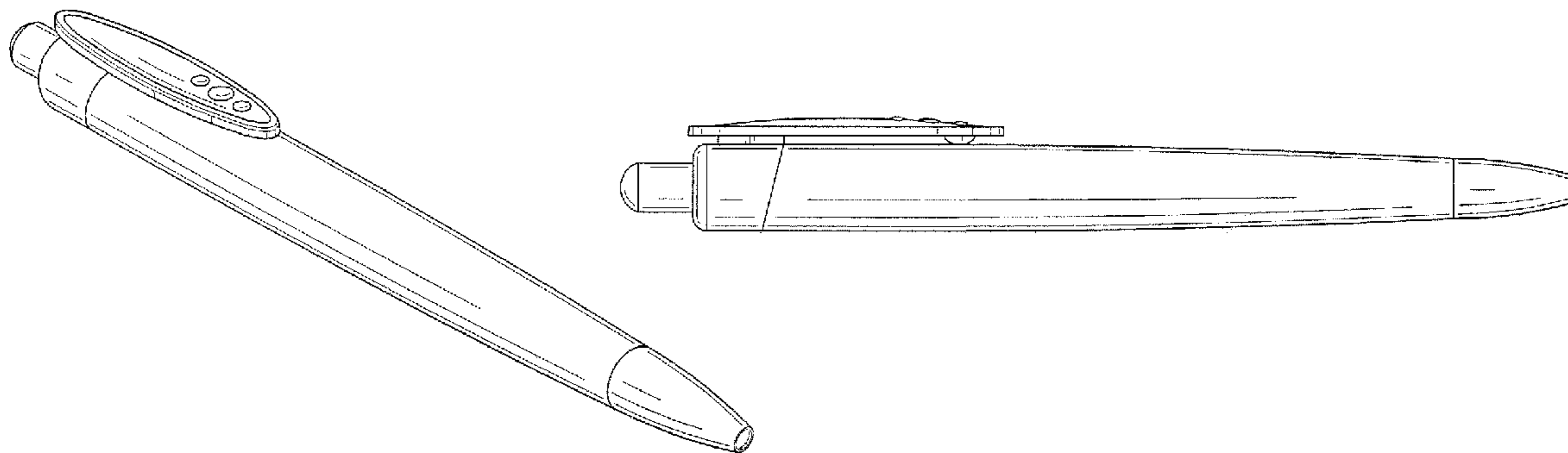
FIG. 3 is a front elevational view thereof;

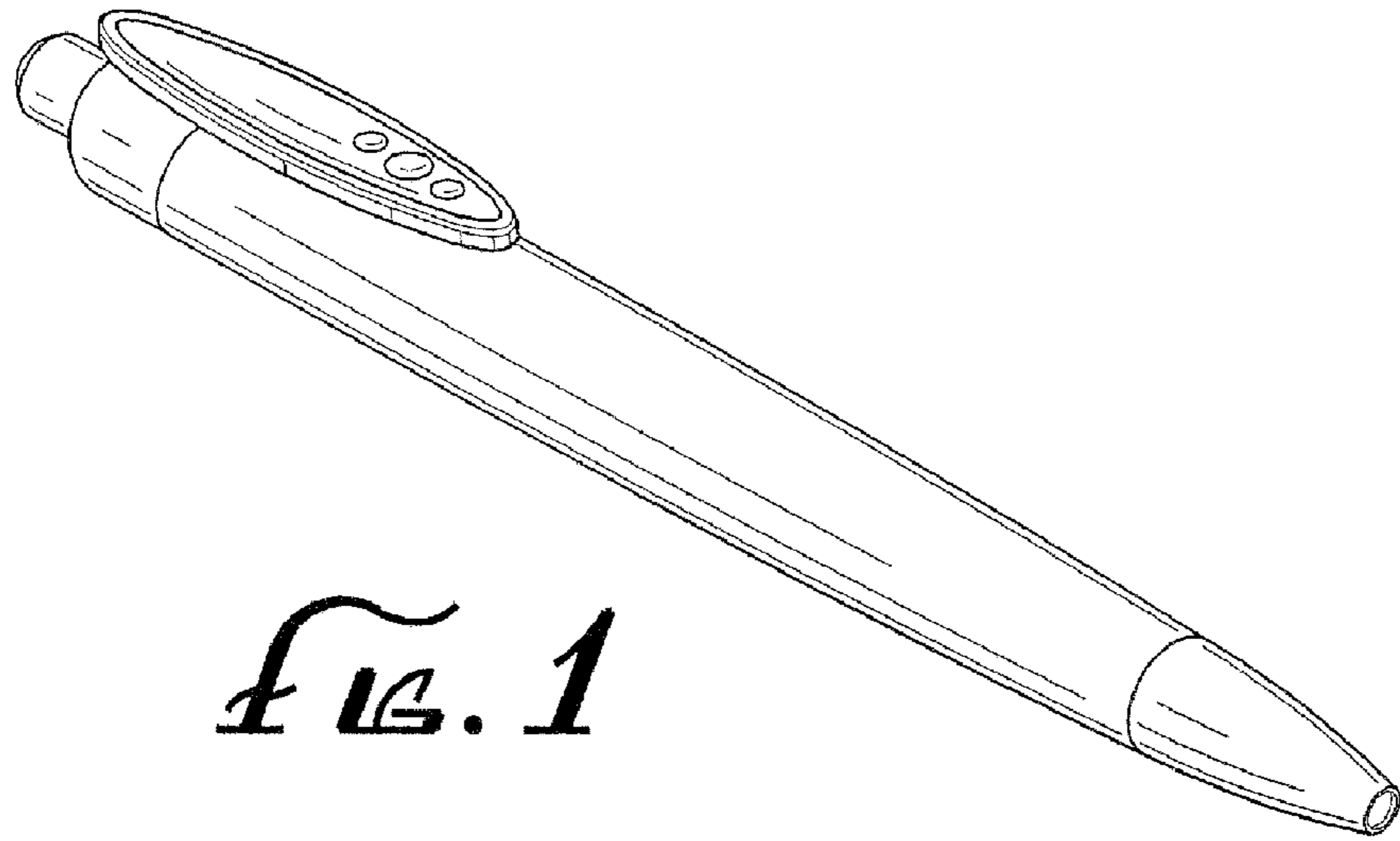
FIG. 4 is a back elevational view thereof;

FIG. 5 is a bottom plan view thereof; and,

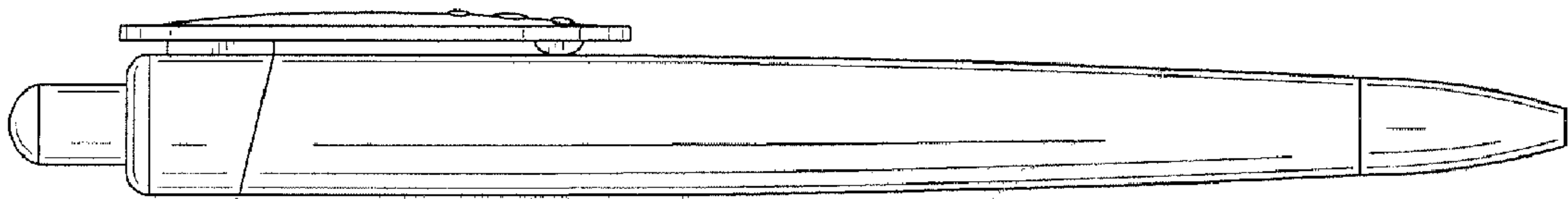
FIG. 6 is a top plan view thereof.

**1 Claim, 2 Drawing Sheets**

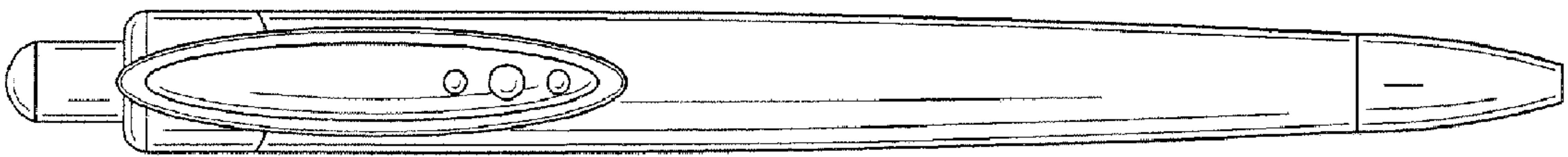




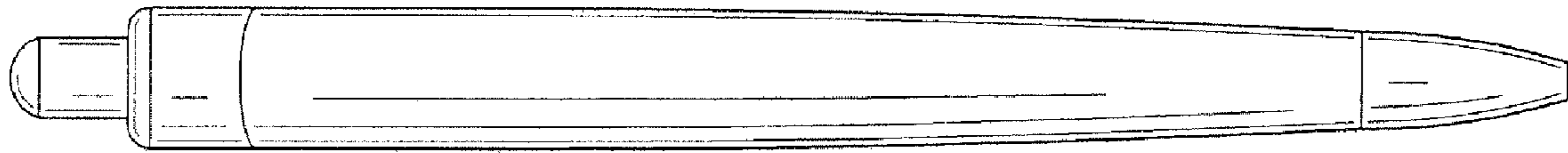
*FIG. 1*



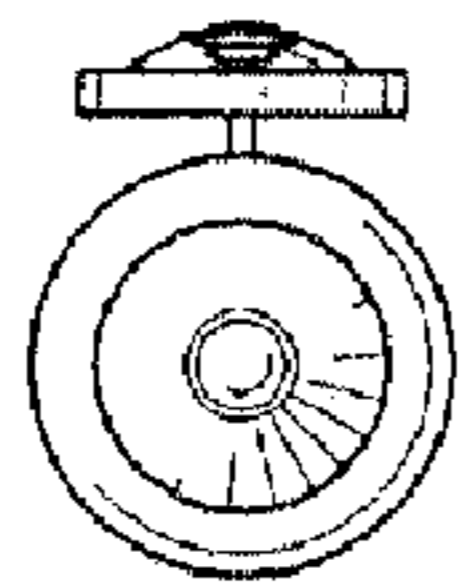
*FIG. 2*



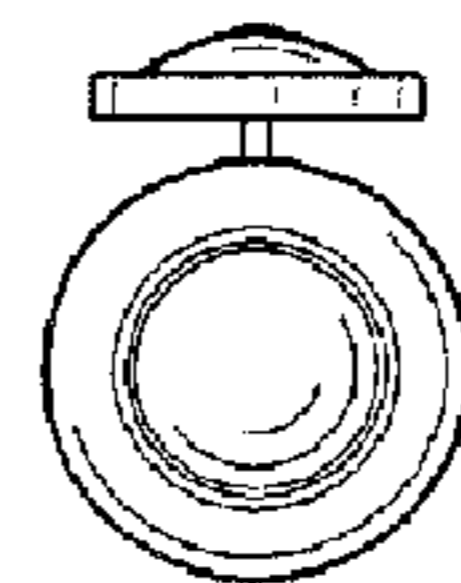
*FIG. 3*



*FIG. 4*



*FIG. 5*



*FIG. 6*