



US00D553680S

(12) **United States Design Patent**  
**Kusaba**

(10) **Patent No.:** **US D553,680 S**

(45) **Date of Patent:** **\*\* Oct. 23, 2007**

(54) **MECHANICAL PENCIL**

(75) Inventor: **Shun Kusaba**, Tokyo (JP)

(73) Assignee: **Zebra Co., Ltd.**, Tokyo (JP)

(\*\*) Term: **14 Years**

(21) Appl. No.: **29/243,841**

(22) Filed: **Dec. 1, 2005**

(30) **Foreign Application Priority Data**

Jun. 2, 2005 (JP) ..... 2005-016027

(51) **LOC (8) Cl.** ..... **19-06**

(52) **U.S. Cl.** ..... **D19/50**

(58) **Field of Classification Search** ..... D19/35-36,  
D19/41-51, 54-57; 362/118; 24/11 R, 11 F,  
24/11 P; 401/52, 99, 100, 104-109, 192,  
401/195

See application file for complete search history.

(56) **References Cited**

**U.S. PATENT DOCUMENTS**

D182,311 S \* 3/1958 Steinberg ..... D19/51

D404,070 S \* 1/1999 Hasegawa ..... D19/51

D411,858 S \* 7/1999 Katami ..... D19/51

D451,545 S \* 12/2001 Tsuchikura ..... D19/36

D453,790 S \* 2/2002 Tsuchikura ..... D19/36

D525,302 S \* 7/2006 Togawa ..... D19/51

\* cited by examiner

*Primary Examiner*—Robert M. Spear

*Assistant Examiner*—Karen E Eldridge Powers

(74) *Attorney, Agent, or Firm*—Senniger Powers

(57) **CLAIM**

The ornamental design for a mechanical pencil, as shown and described.

**DESCRIPTION**

FIG. 1 is a Perspective View of a mechanical pencil of the present invention;

FIG. 2 is a Front Elevation View thereof;

FIG. 3 is a Rear Elevation View thereof;

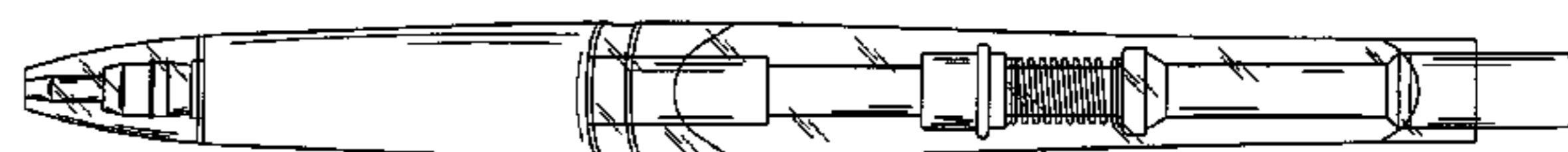
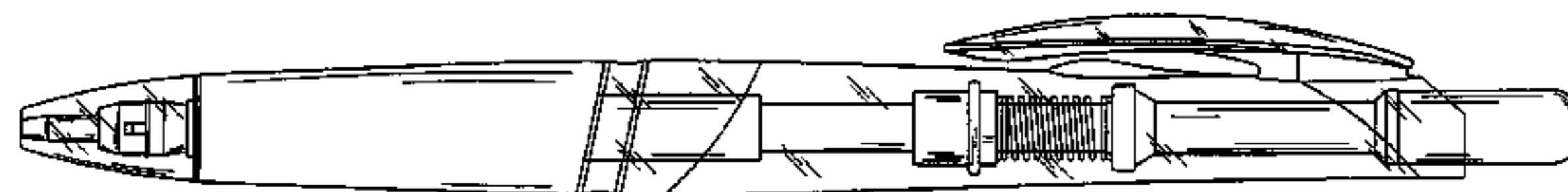
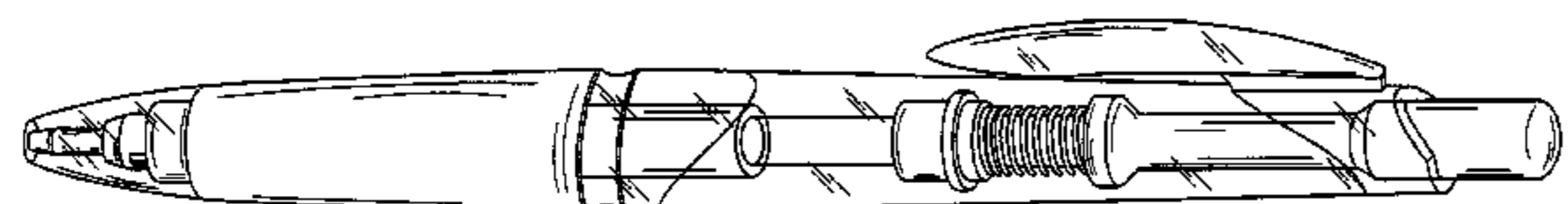
FIG. 4 is a Left Side View thereof;

FIG. 5 is a Right Side View thereof;

FIG. 6 is a Top Plan View thereof; and,

FIG. 7 is a Bottom Plan View thereof.

**1 Claim, 6 Drawing Sheets**



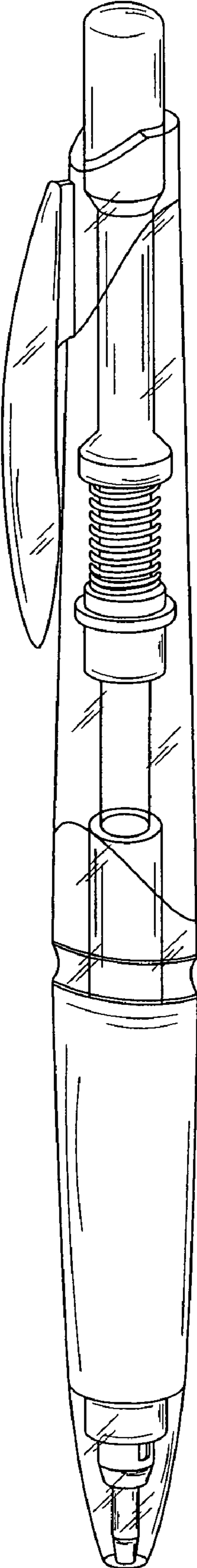
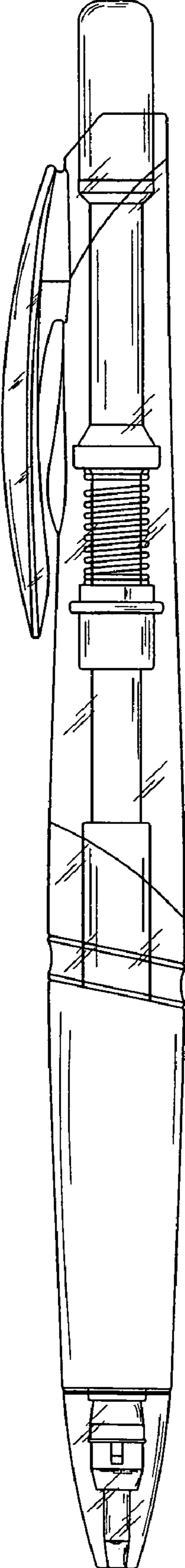


FIG. 1

FIG. 2



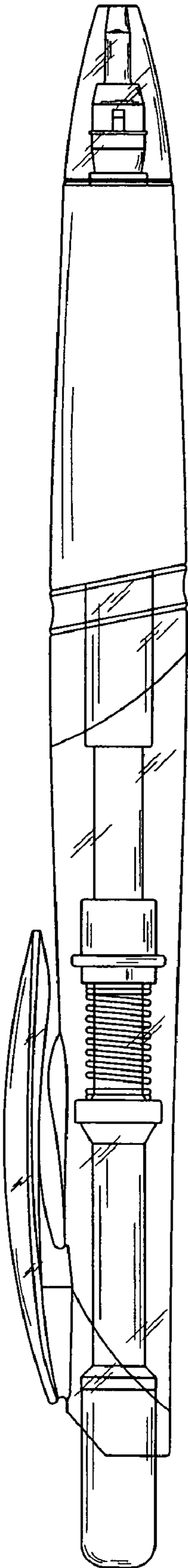


FIG. 3

FIG. 4

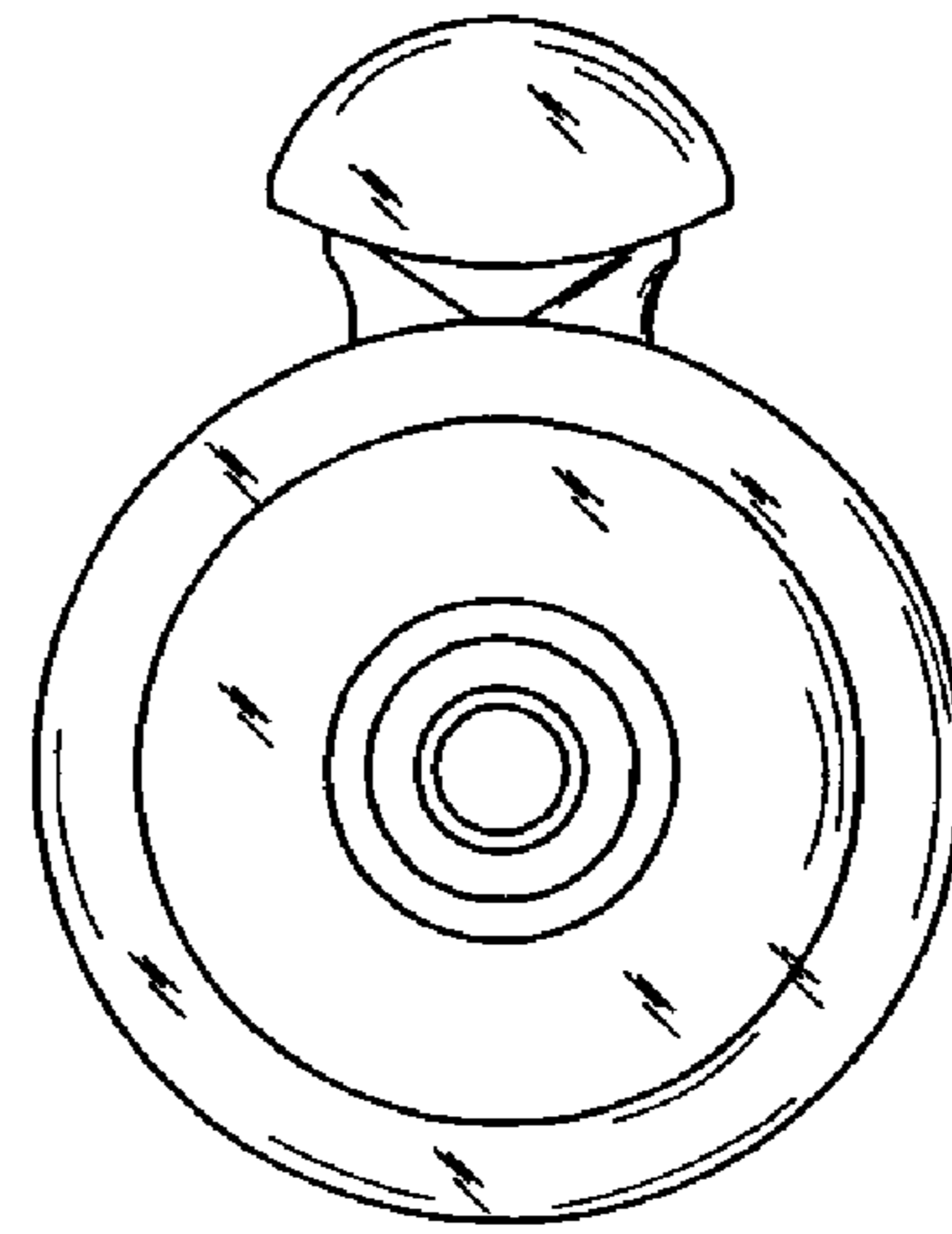


FIG. 5

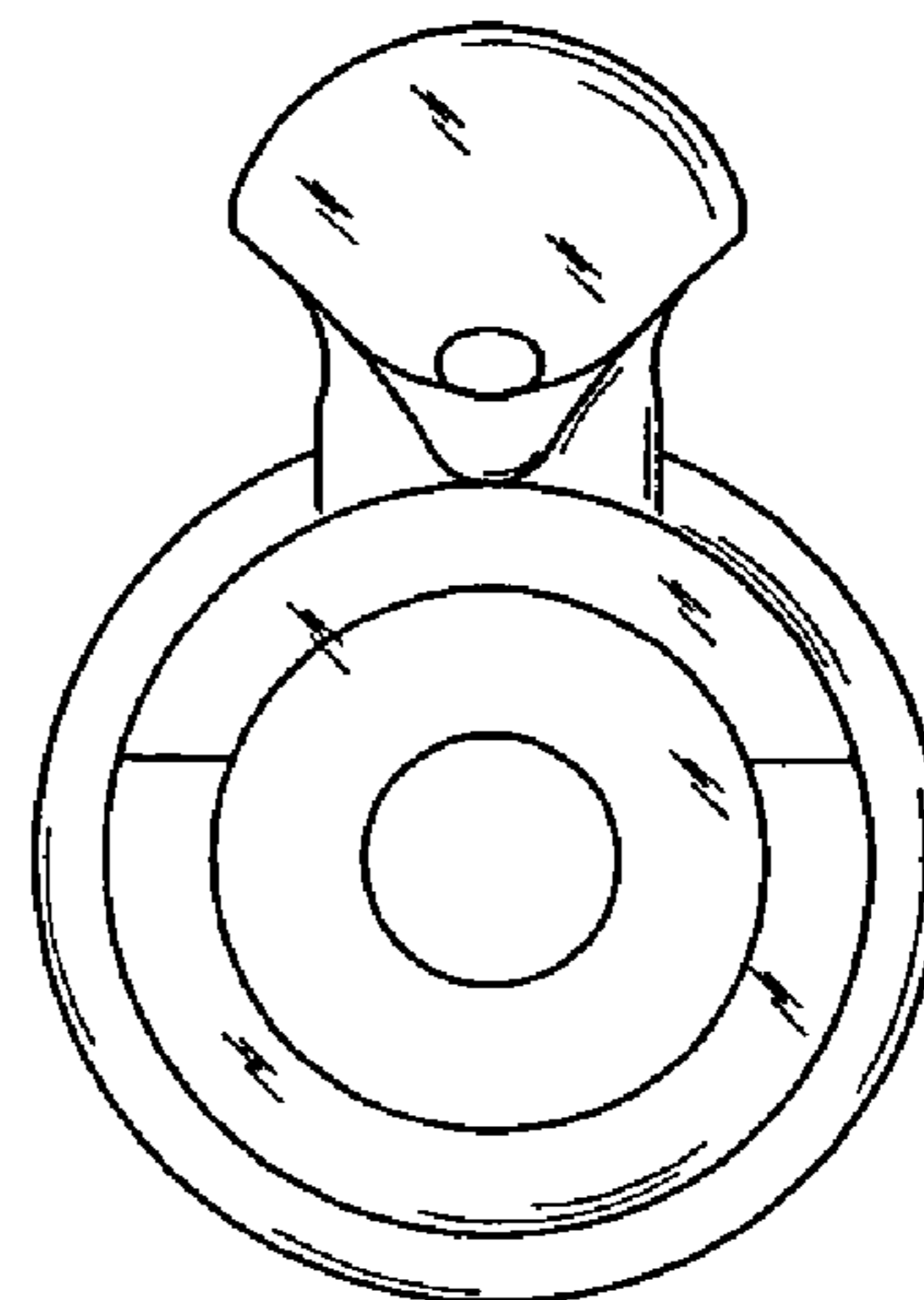


FIG. 6



FIG. 7

