



US00D553673S

(12) **United States Design Patent**
Ikeda

(10) **Patent No.:** **US D553,673 S**

(45) **Date of Patent:** **** Oct. 23, 2007**

(54) **TONER CARTRIDGE**

(75) Inventor: **Masami Ikeda**, Osaka (JP)

(73) Assignee: **Kyocera Mita Corporation**, Osaka (JP)

(**) Term: **14 Years**

(21) Appl. No.: **29/265,364**

(22) Filed: **Aug. 31, 2006**

(30) **Foreign Application Priority Data**

Mar. 9, 2006 (JP) 2006-006038

(51) **LOC (8) Cl.** **16-03**

(52) **U.S. Cl.** **D18/43**

(58) **Field of Classification Search** D14/462,
D14/469-471; D18/12, 36, 40, 43, 44, 56;
222/DIG. 1; 347/197, 222; 399/24-28,
399/107-112, 119, 121, 122, 222-224

See application file for complete search history.

(56) **References Cited**

U.S. PATENT DOCUMENTS

- D359,754 S * 6/1995 Hashizume et al. D18/43
- D408,846 S * 4/1999 Schwallie et al. D18/43
- D409,652 S * 5/1999 Aimoto D18/43
- 6,018,637 A * 1/2000 Huss et al. 399/119
- D472,920 S * 4/2003 Ueno D18/56

* cited by examiner

Primary Examiner—Robert M. Spear
Assistant Examiner—Garth Rademaker

(74) *Attorney, Agent, or Firm*—Global IP Counselors, LLP

(57) **CLAIM**

The ornamental design for a toner cartridge, as shown and described.

DESCRIPTION

FIG. 1 is a right front side perspective view of a toner cartridge in accordance with my new design;

FIG. 2 is a left front side perspective view of the toner cartridge in accordance with my new design;

FIG. 3 is a left back side perspective view of the toner cartridge in accordance with my new design;

FIG. 4 is a right back side perspective view of the toner cartridge in accordance with my new design;

FIG. 5 is a front side elevational view of the toner cartridge in accordance with my new design;

FIG. 6 is a back side elevational view of the toner cartridge in accordance with my new design;

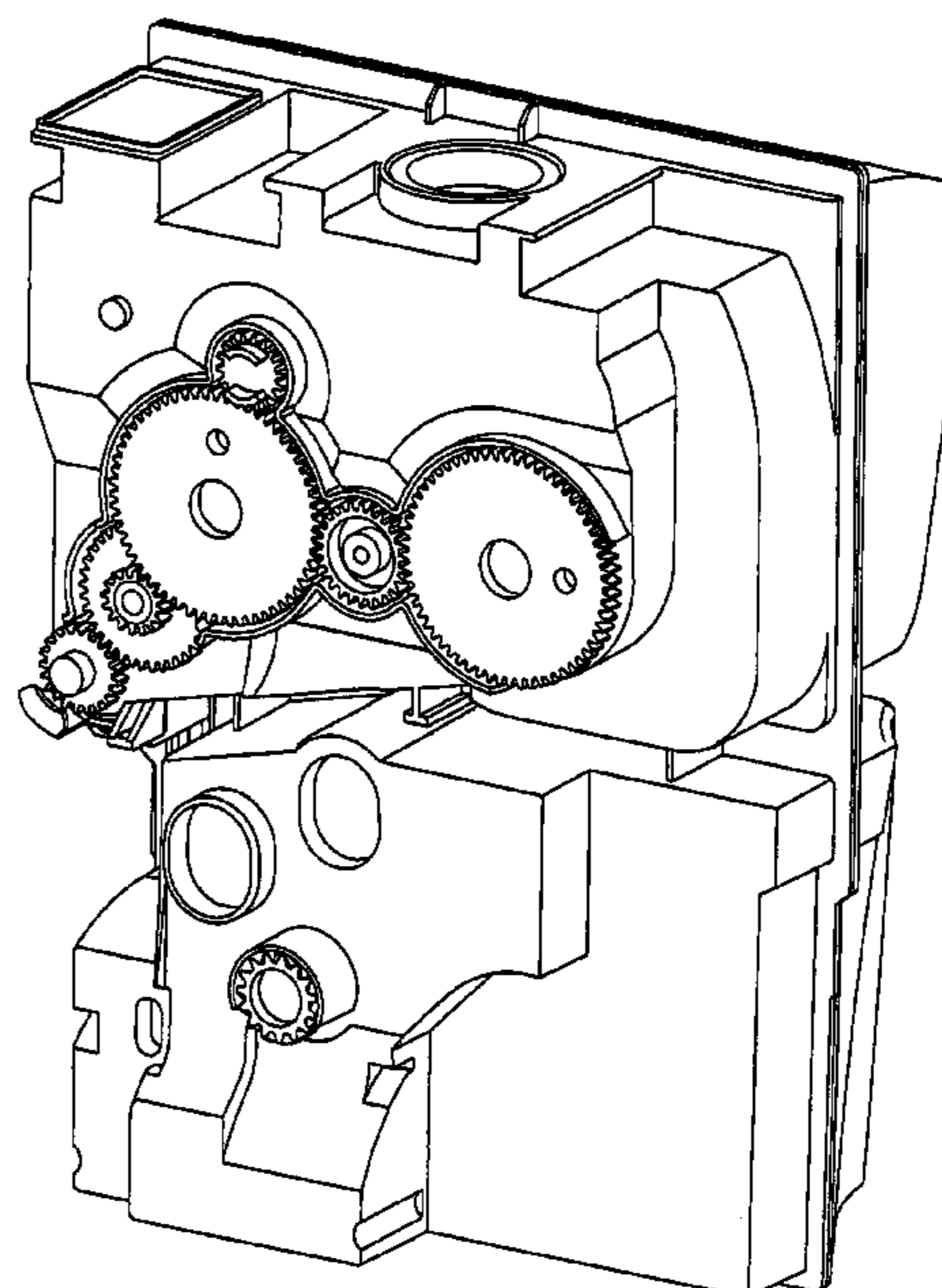
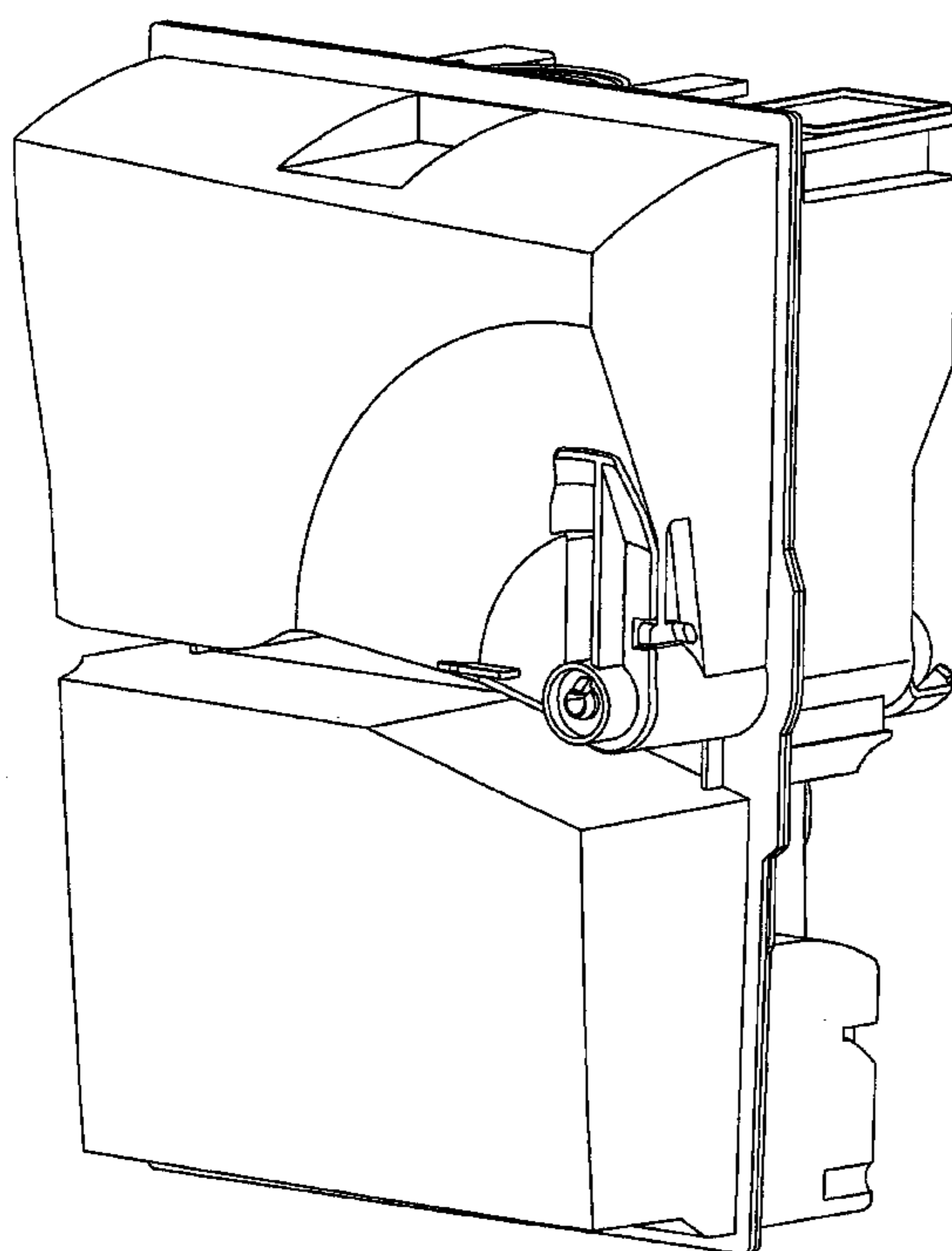
FIG. 7 is a left side end elevational view of the toner cartridge in accordance with my new design;

FIG. 8 is a right side end elevational view of the toner cartridge in accordance with my new design;

FIG. 9 is a top plan view of the toner cartridge in accordance with my new design; and,

FIG. 10 is a bottom plan view of the toner cartridge in accordance with my new design.

1 Claim, 10 Drawing Sheets



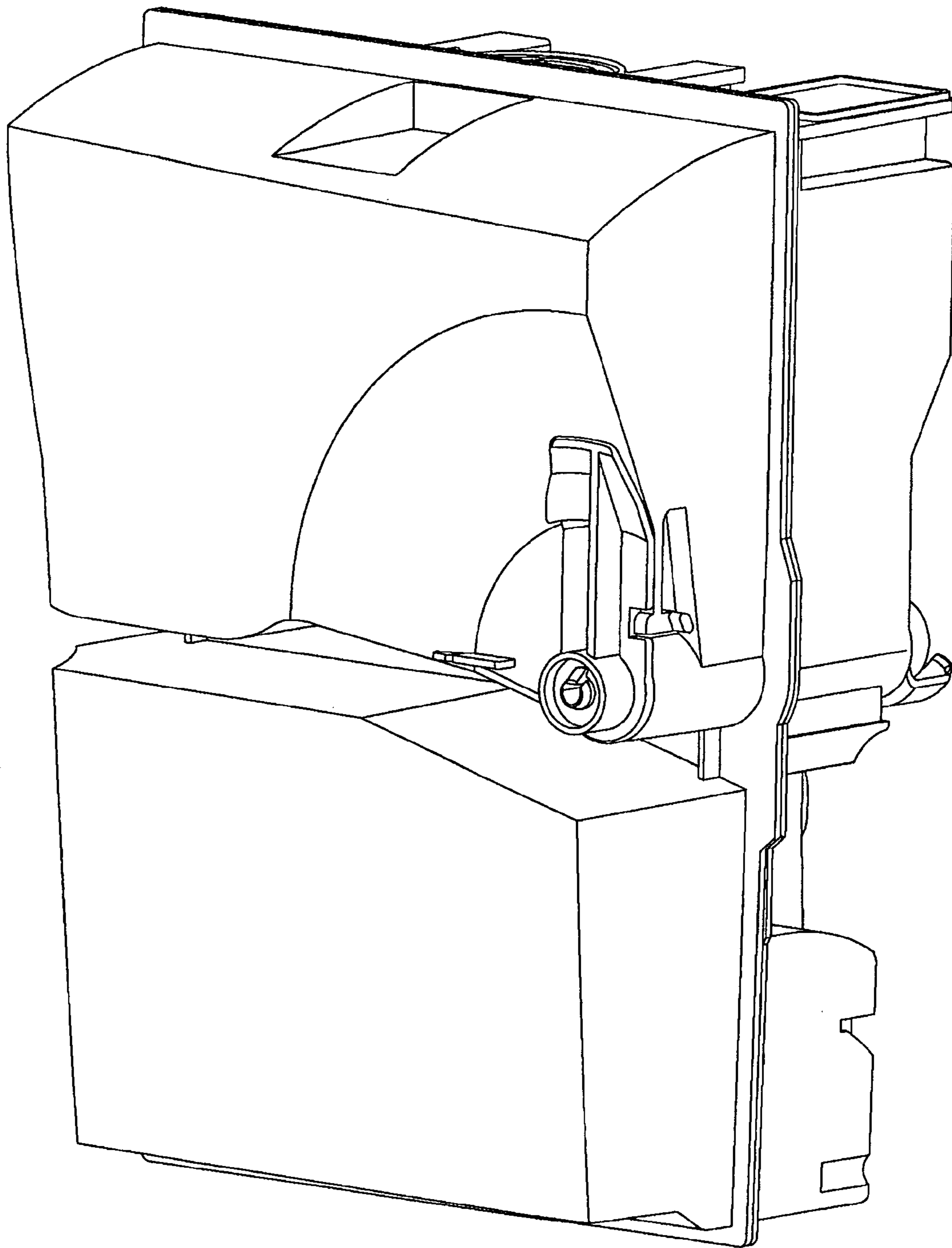


Fig. 1

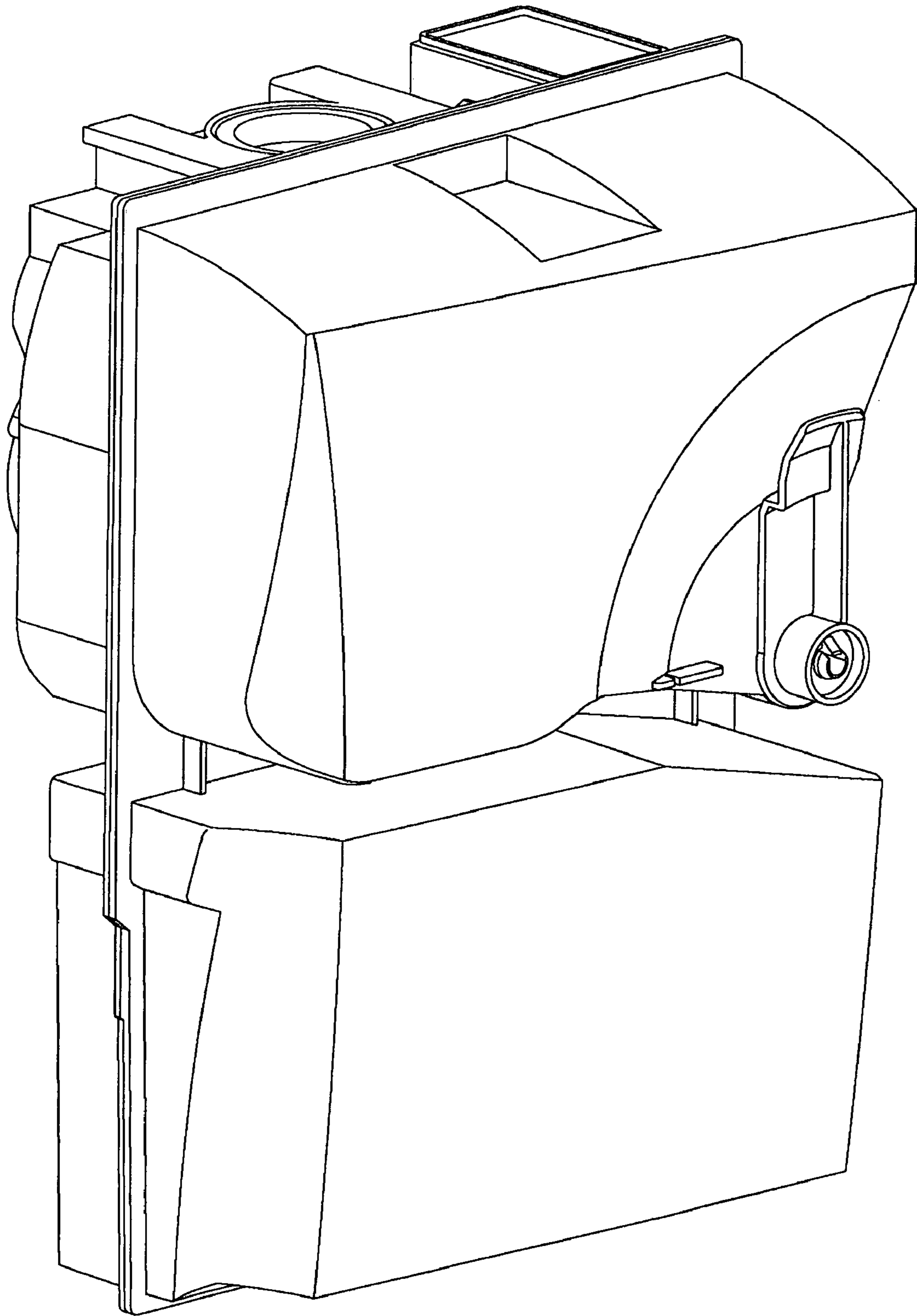


Fig. 2

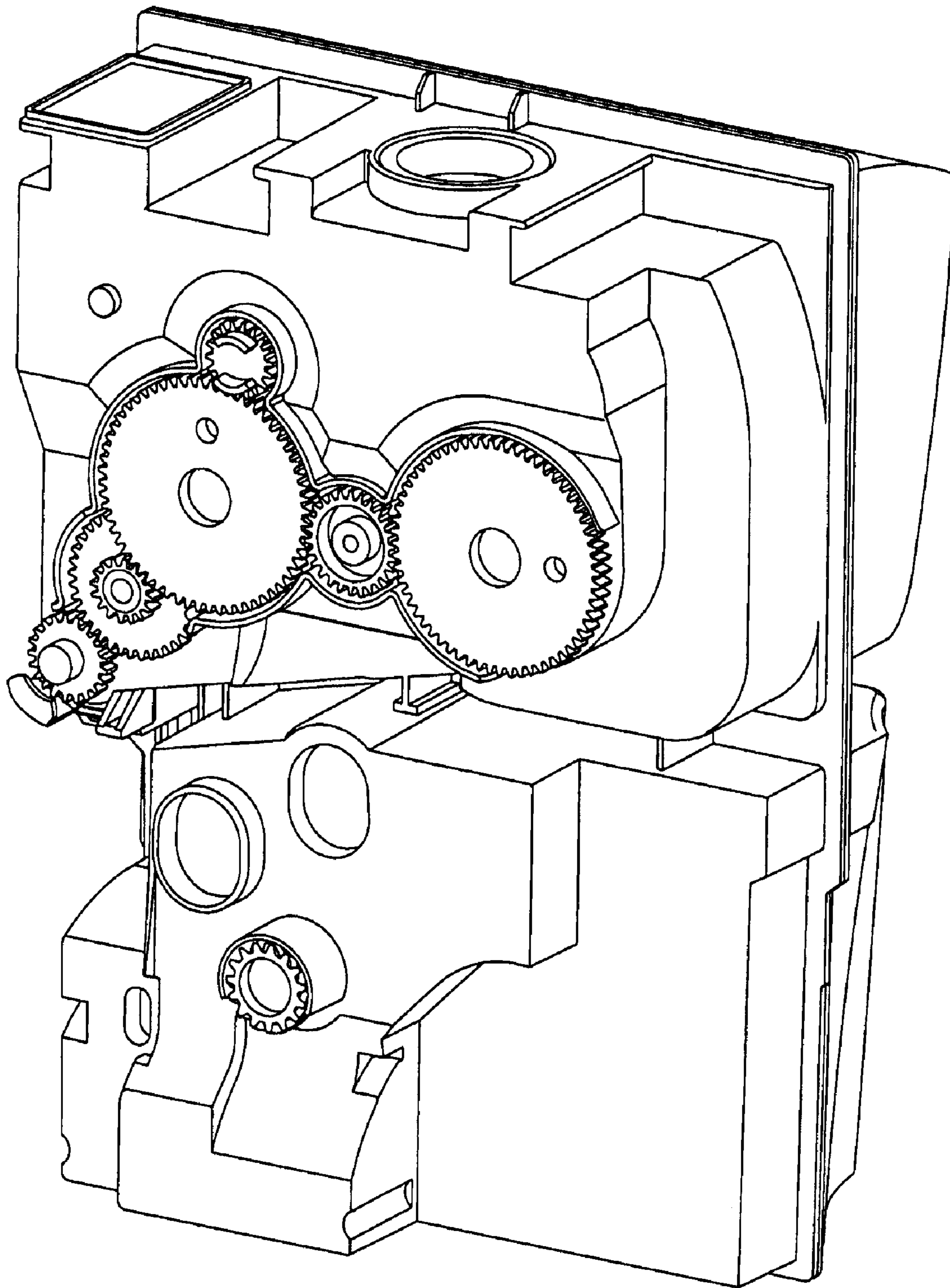


Fig. 3

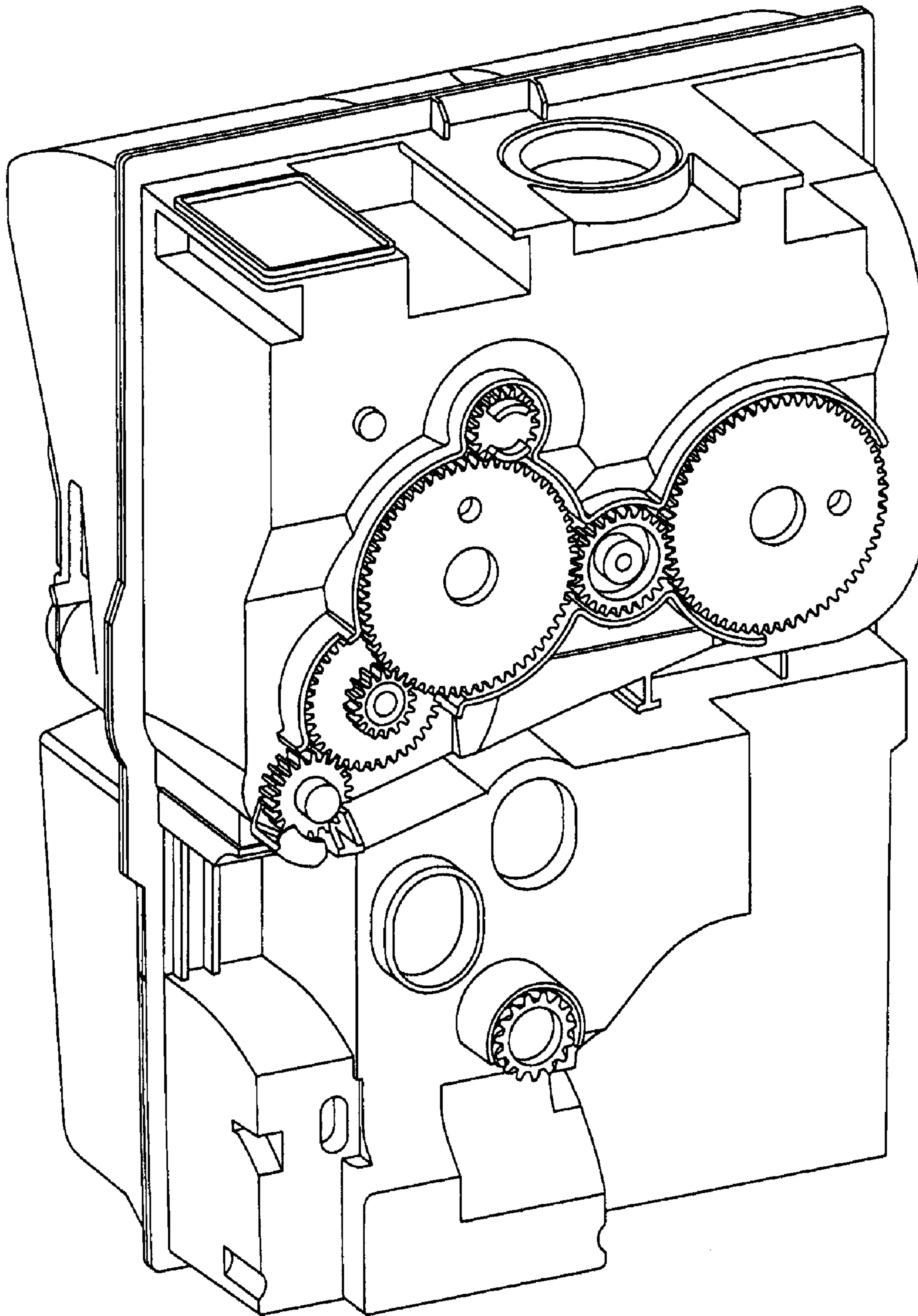


Fig. 4

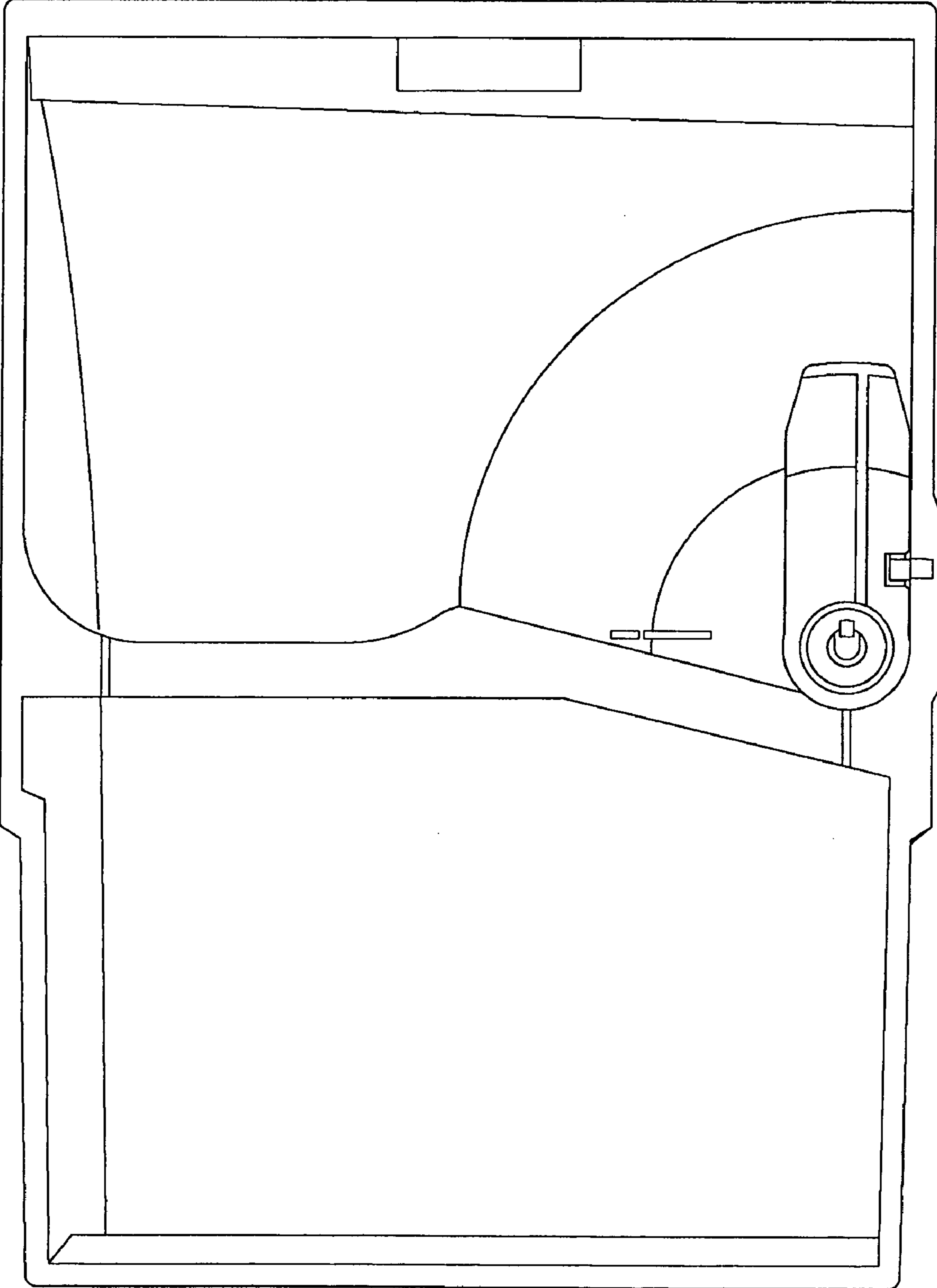


Fig. 5

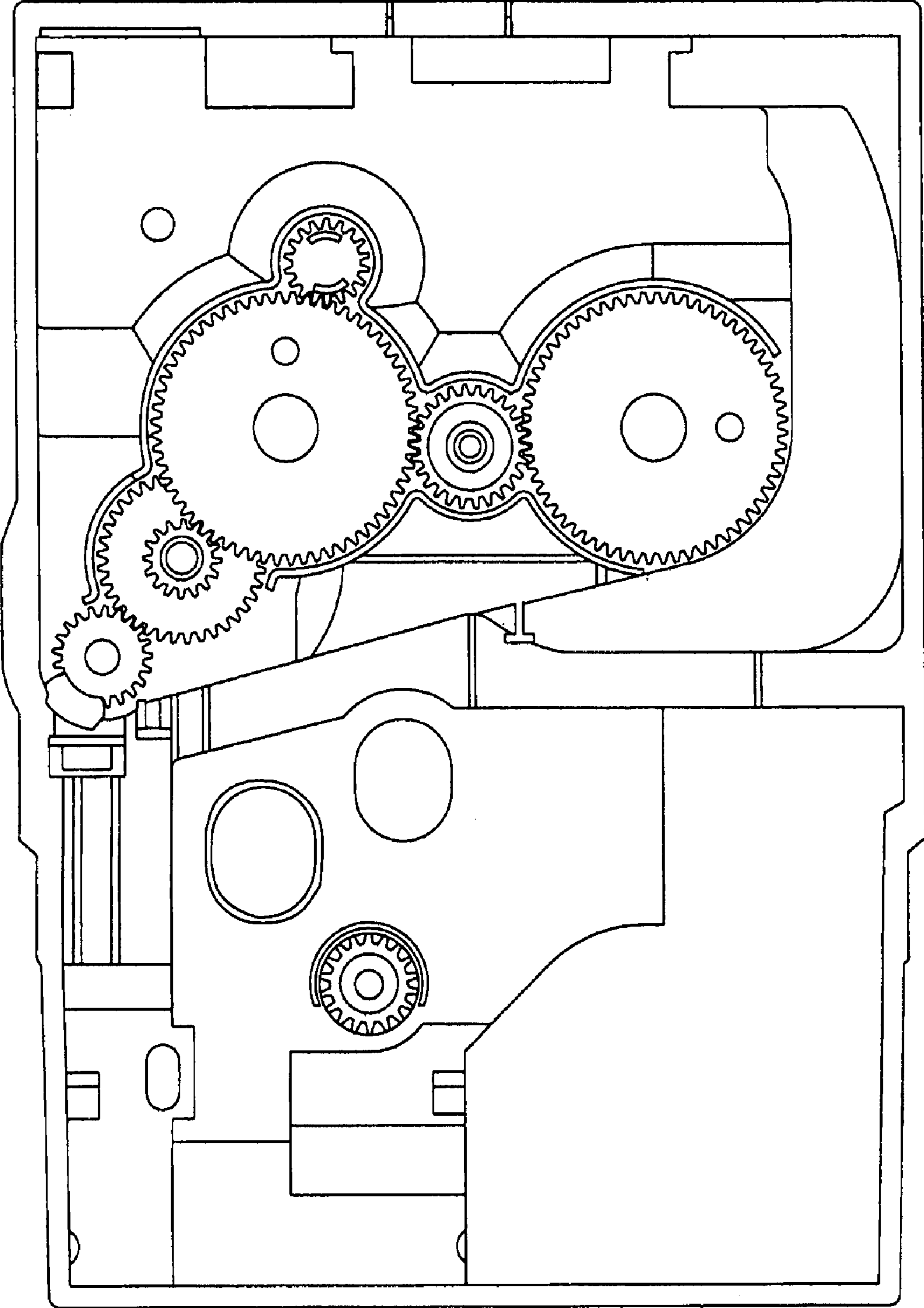


Fig. 6

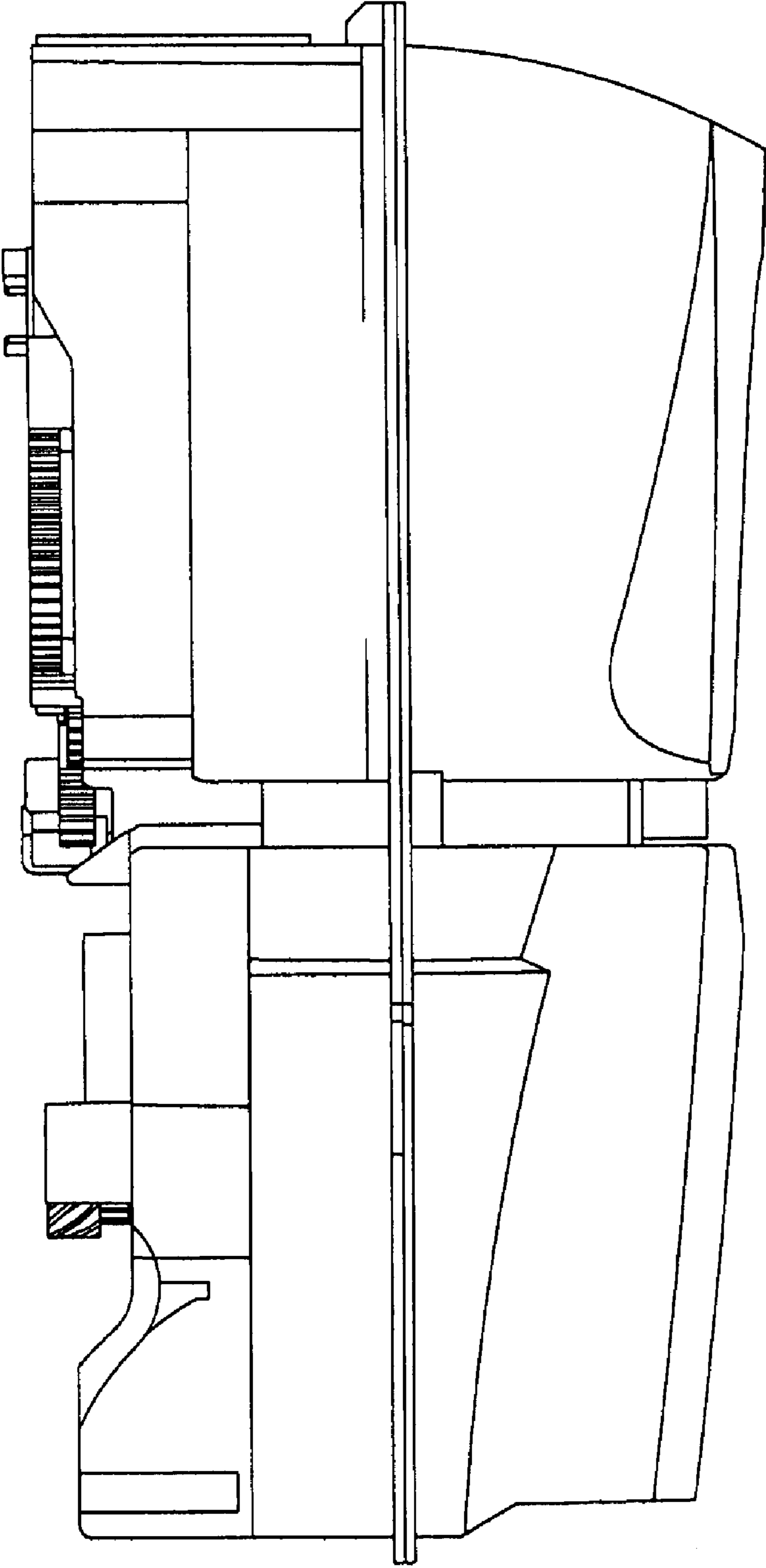


Fig. 7

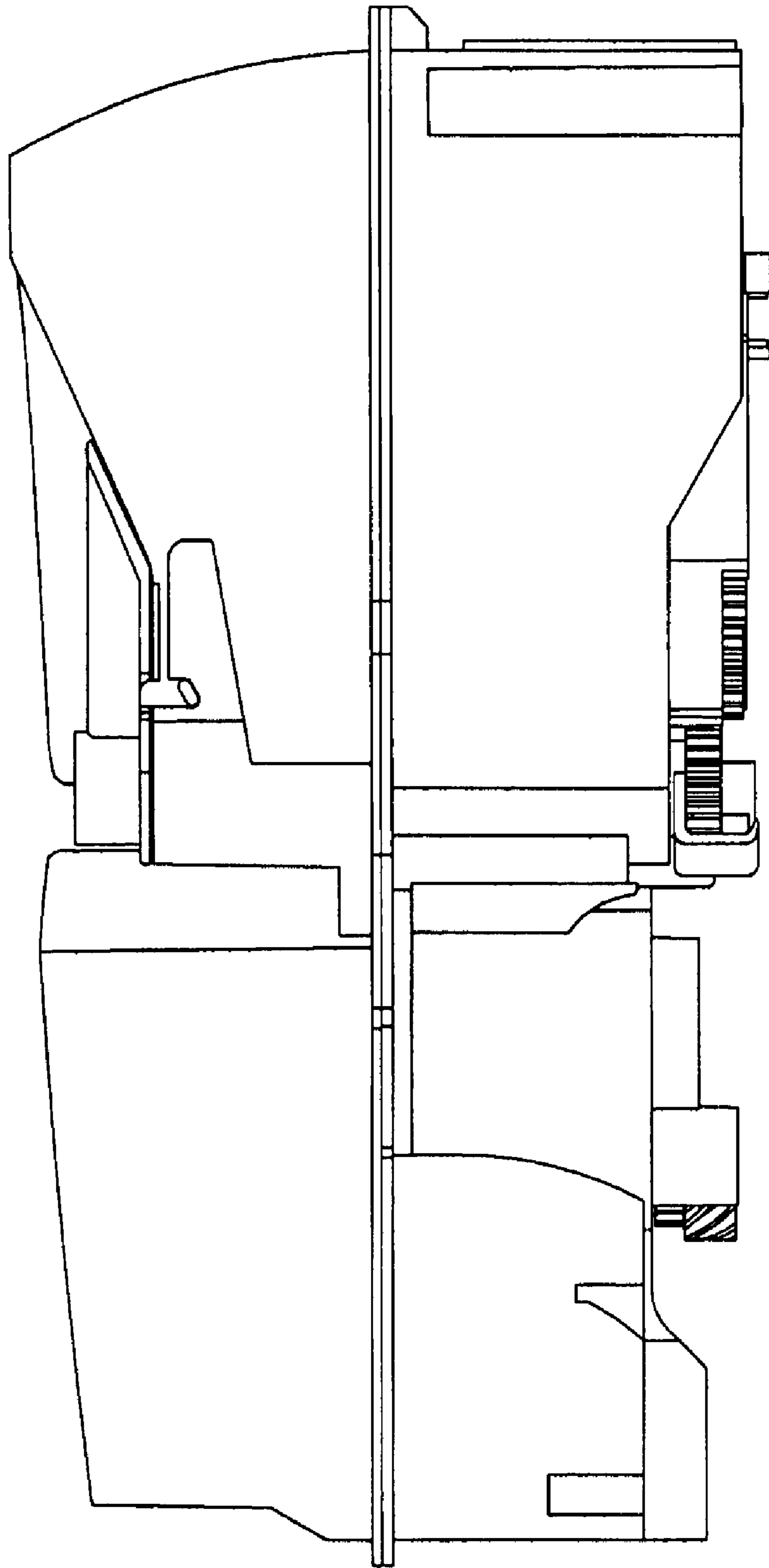


Fig. 8

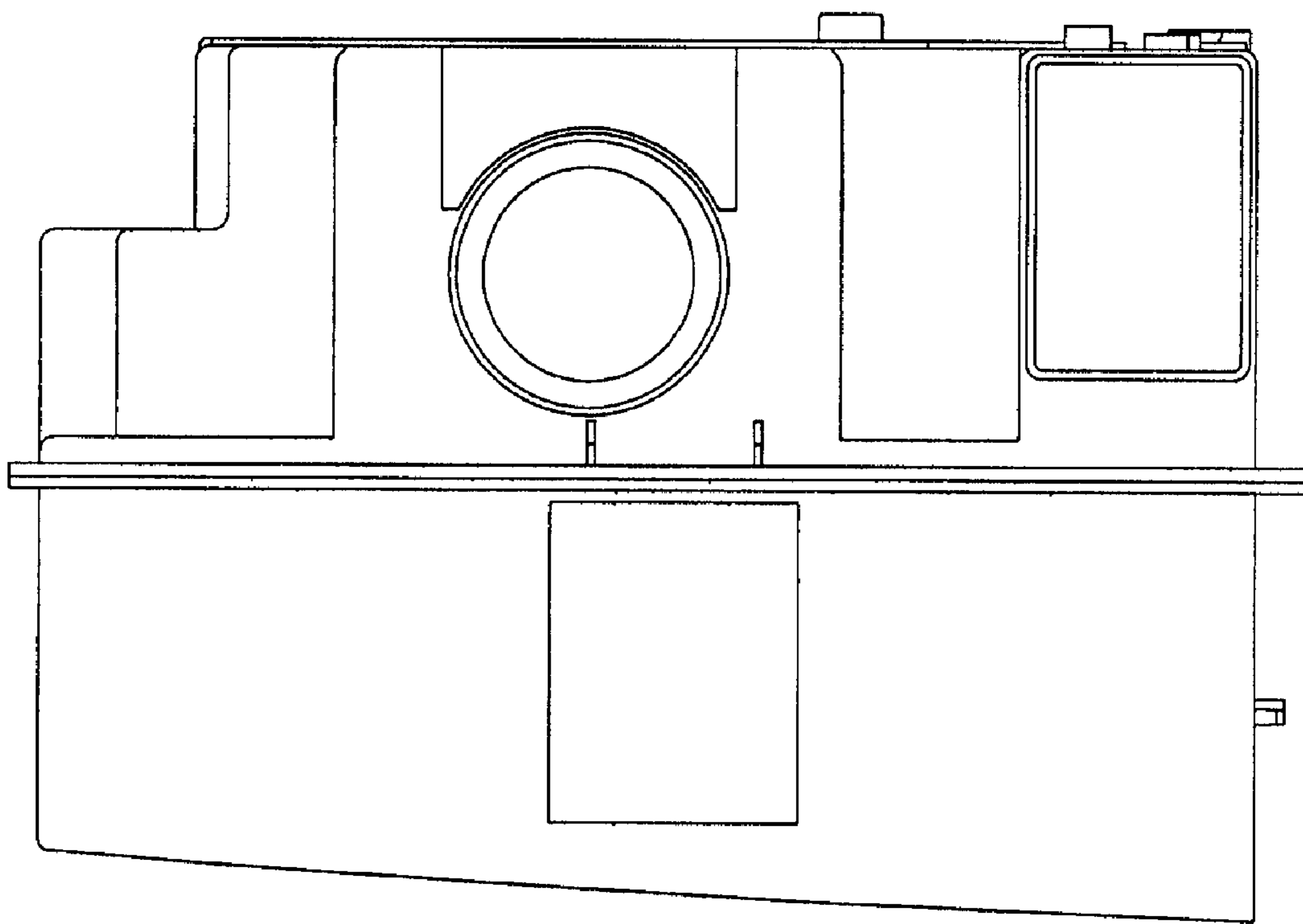


Fig. 9

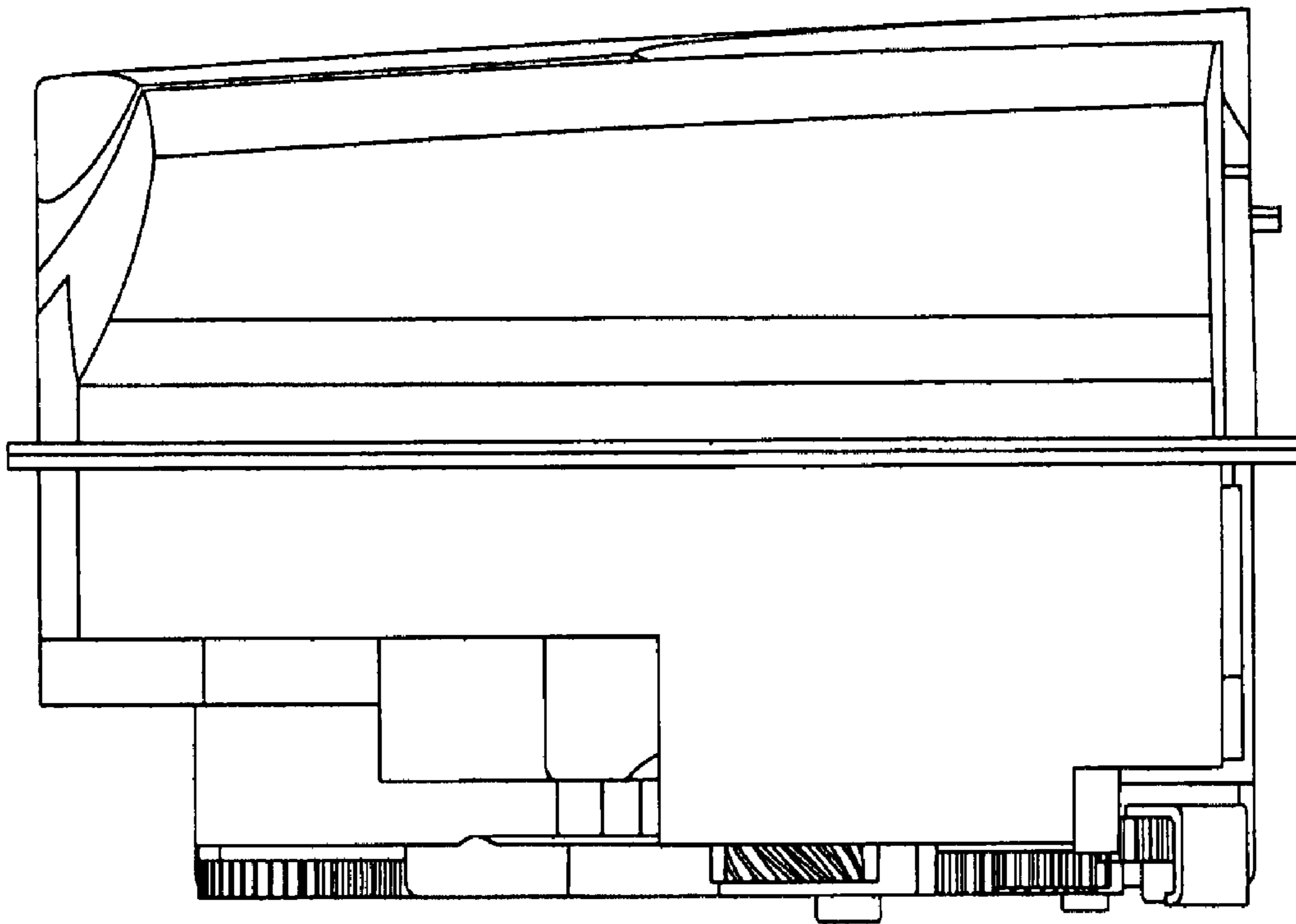


Fig. 10