



US00D553669S

(12) **United States Design Patent**
Henry et al.

(10) **Patent No.:** **US D553,669 S**

(45) **Date of Patent:** **** Oct. 23, 2007**

(54) **POINT OF SALE TERMINAL**

(75) Inventors: **Chris Henry**, Phoenix, AZ (US);
William Shumate, Tempe, AZ (US)

(73) Assignee: **Hypercom Corporation**, Phoenix, AZ (US)

(**) Term: **14 Years**

(21) Appl. No.: **29/236,654**

(22) Filed: **Aug. 18, 2005**

(51) **LOC (8) Cl.** **18-01**

(52) **U.S. Cl.** **D18/4.6**

(58) **Field of Classification Search** D18/3.1-3.3,
D18/4.1-4.6, 6-8, 11, 12, 12.1-12.3; D14/336,
D14/341-343, 371, 374-376, 384, 385, 387;
D21/324, 329; D99/28, 33, 43; 235/1 E,
235/2, 6, 7 R, 12, 33, 50 A, 50 B, 50 R,
235/51, 55 R, 379, 380, 386; 705/12, 15-18,
705/43

See application file for complete search history.

(56) **References Cited**

U.S. PATENT DOCUMENTS

5,115,107 A * 5/1992 Crooks et al. 705/16
D385,857 S * 11/1997 Cohen et al. D14/336
D455,424 S * 4/2002 Sheth et al. D14/320
D480,720 S * 10/2003 Sjoberg et al. D14/341

D498,755 S * 11/2004 Chen D14/371
D508,565 S * 8/2005 Nephin et al. D14/336
2003/0135751 A1 * 7/2003 O'Donnell et al. 713/200
2004/0167820 A1 * 8/2004 Melick et al. 705/16

* cited by examiner

Primary Examiner—Robert M. Spear

Assistant Examiner—Garth Rademaker

(74) *Attorney, Agent, or Firm*—Snell & Wilmer L.L.P.

(57) **CLAIM**

The ornamental design for a point of sale terminal, as shown and described.

DESCRIPTION

FIG. 1 is a perspective view of a point of sale terminal showing our new design.

FIG. 2 is a second perspective view thereof;

FIG. 3 is a bottom plan view thereof;

FIG. 4 is a right side elevational view thereof, the left side elevational view being a mirror image thereof;

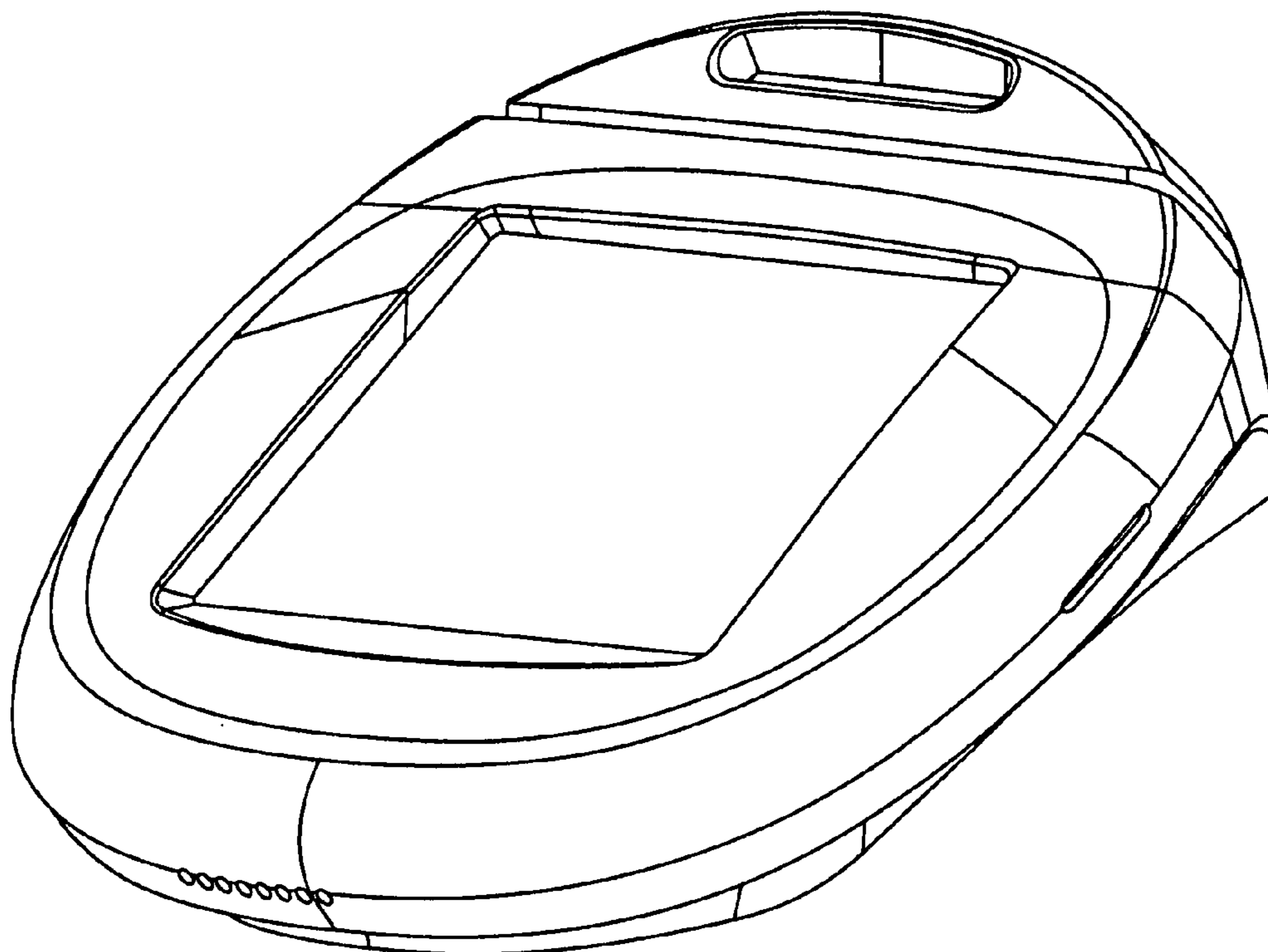
FIG. 5 is a back elevation view thereof;

FIG. 6 is a top plan view thereof; and,

FIG. 7 is a front elevational view thereof.

The broken lines in the drawings are included for illustrative purposes only and form no part of the claimed design.

1 Claim, 7 Drawing Sheets



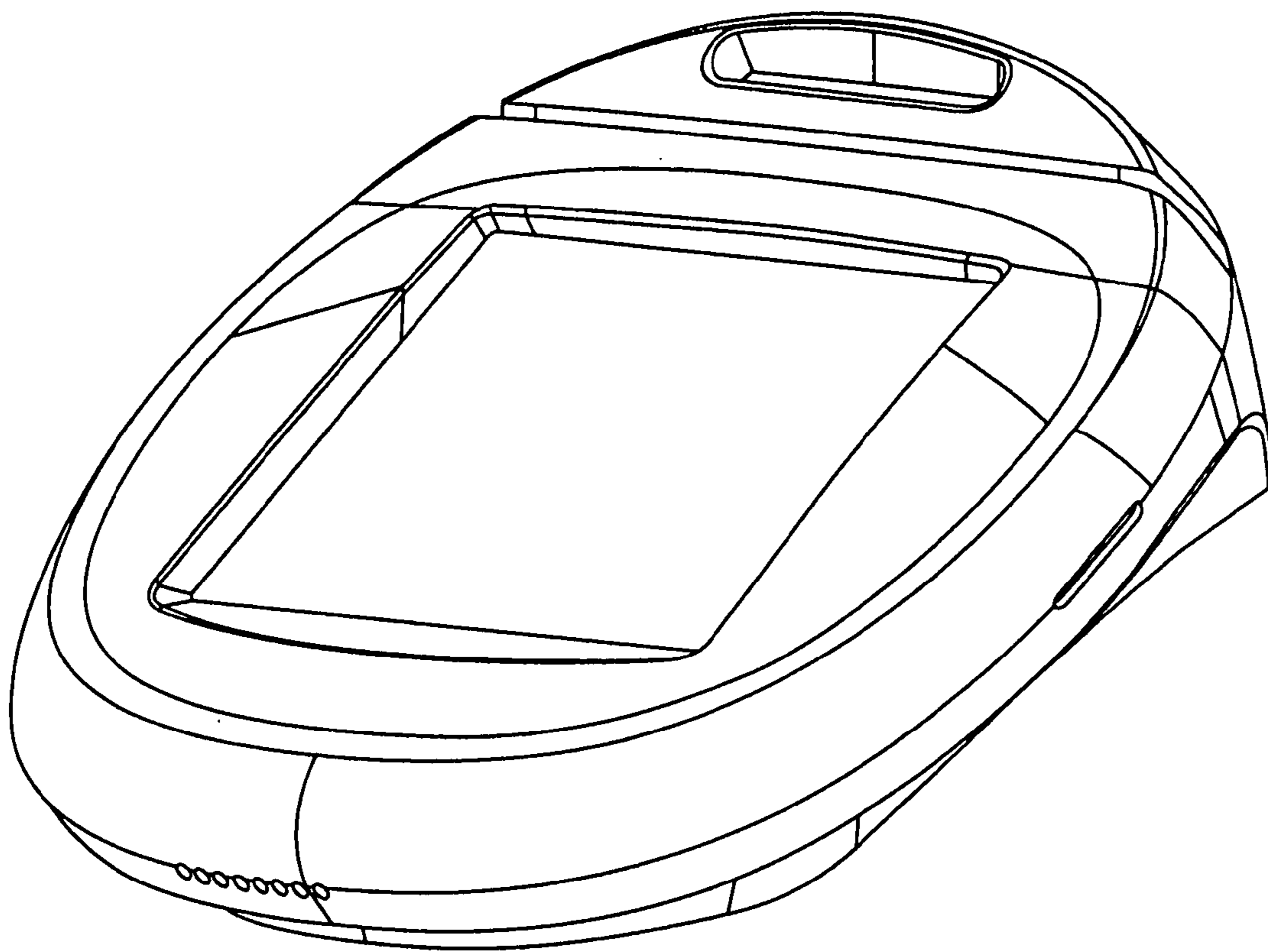


FIG.1

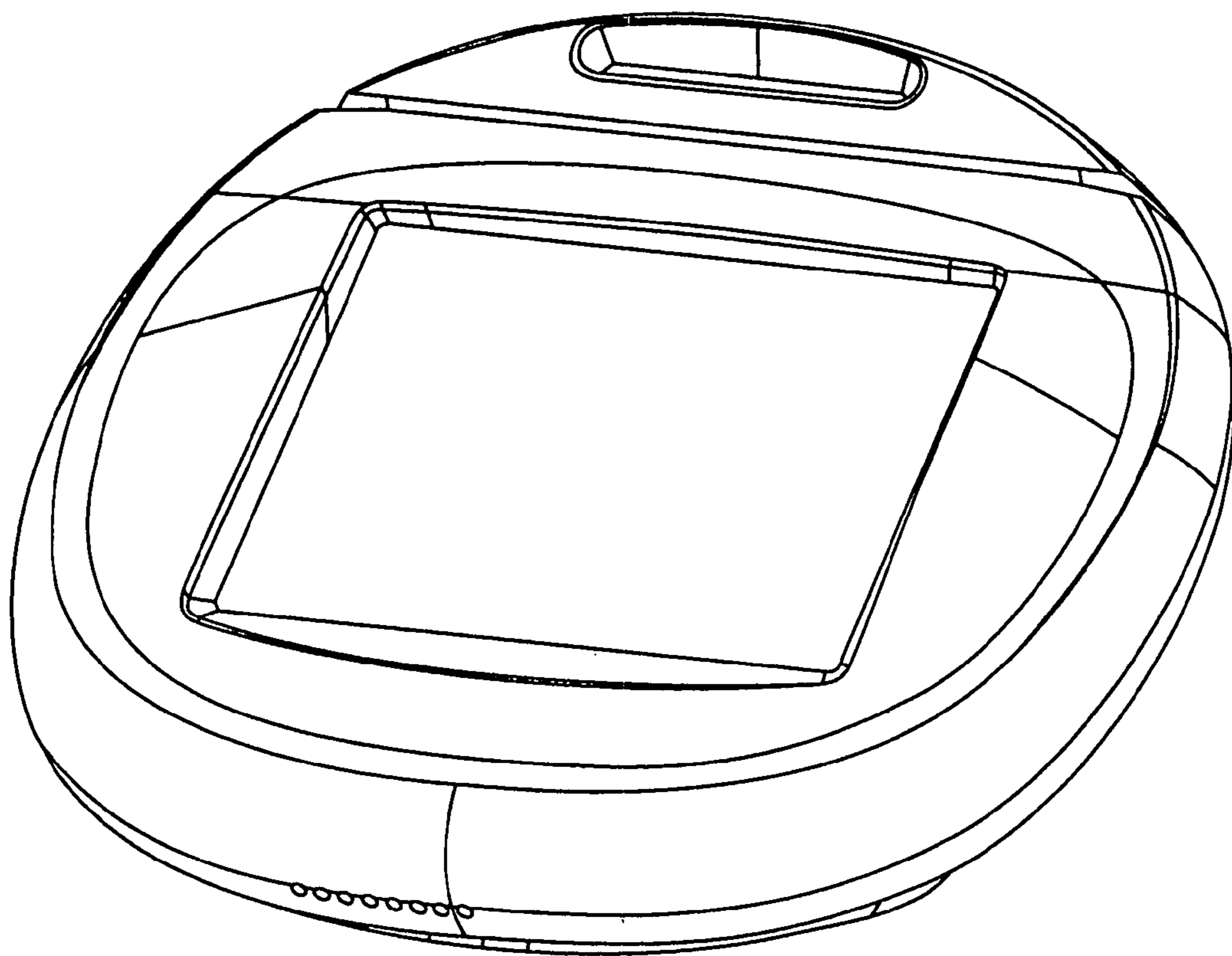


FIG.2

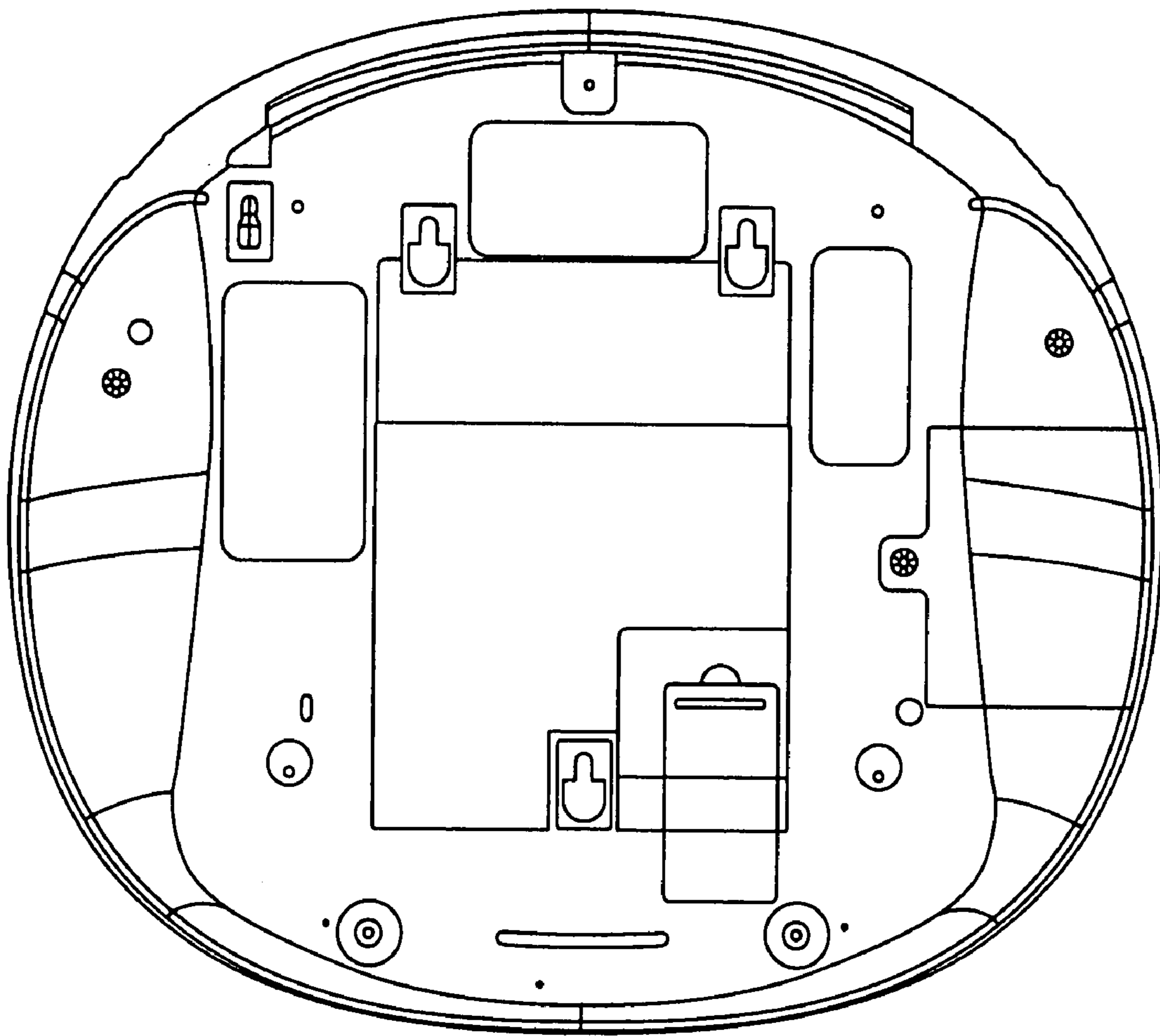


FIG.3

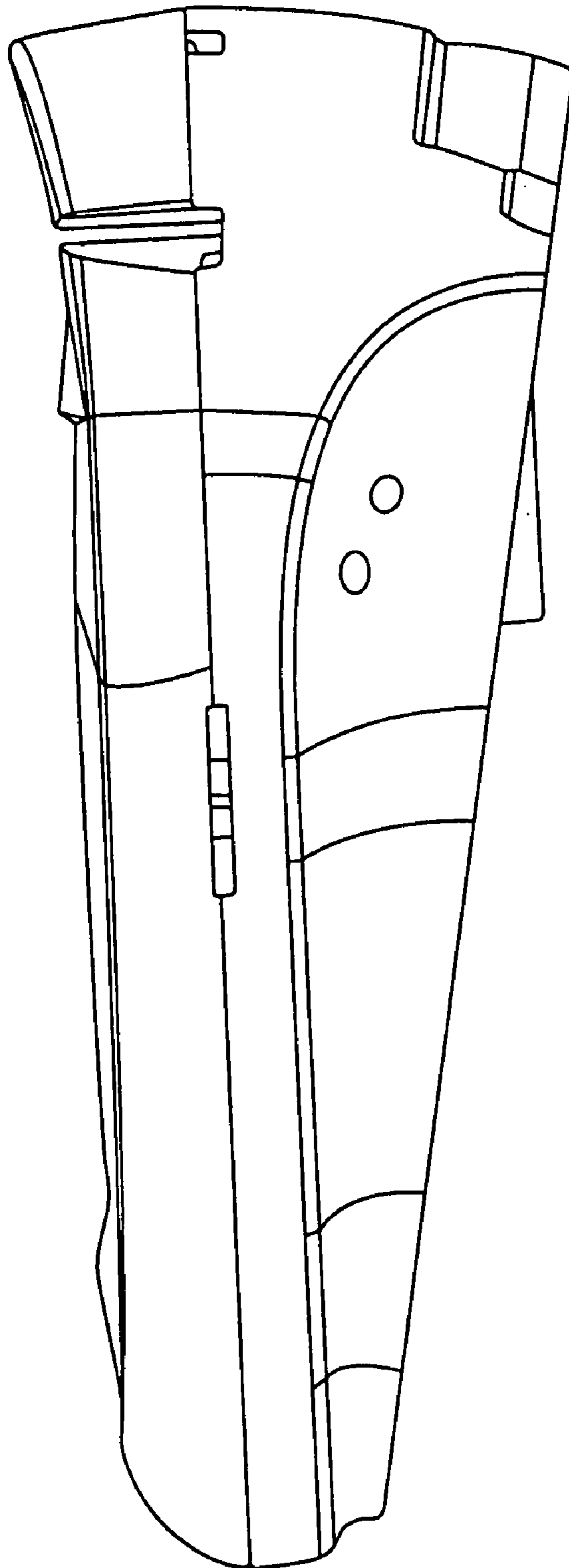


FIG.4

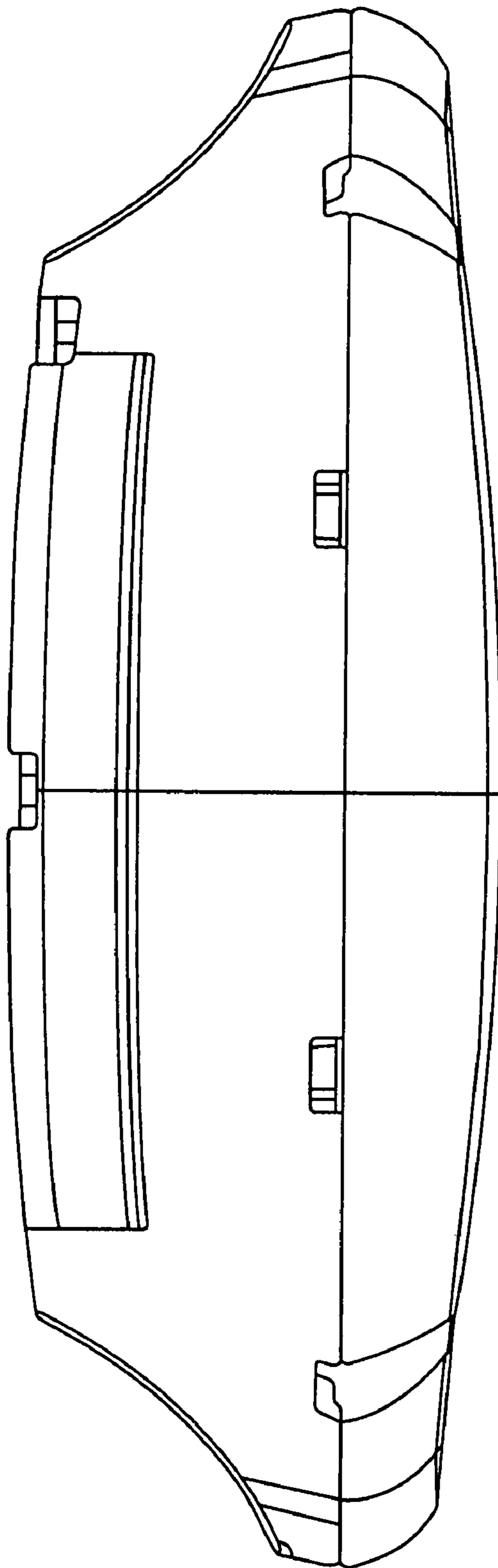


FIG.5

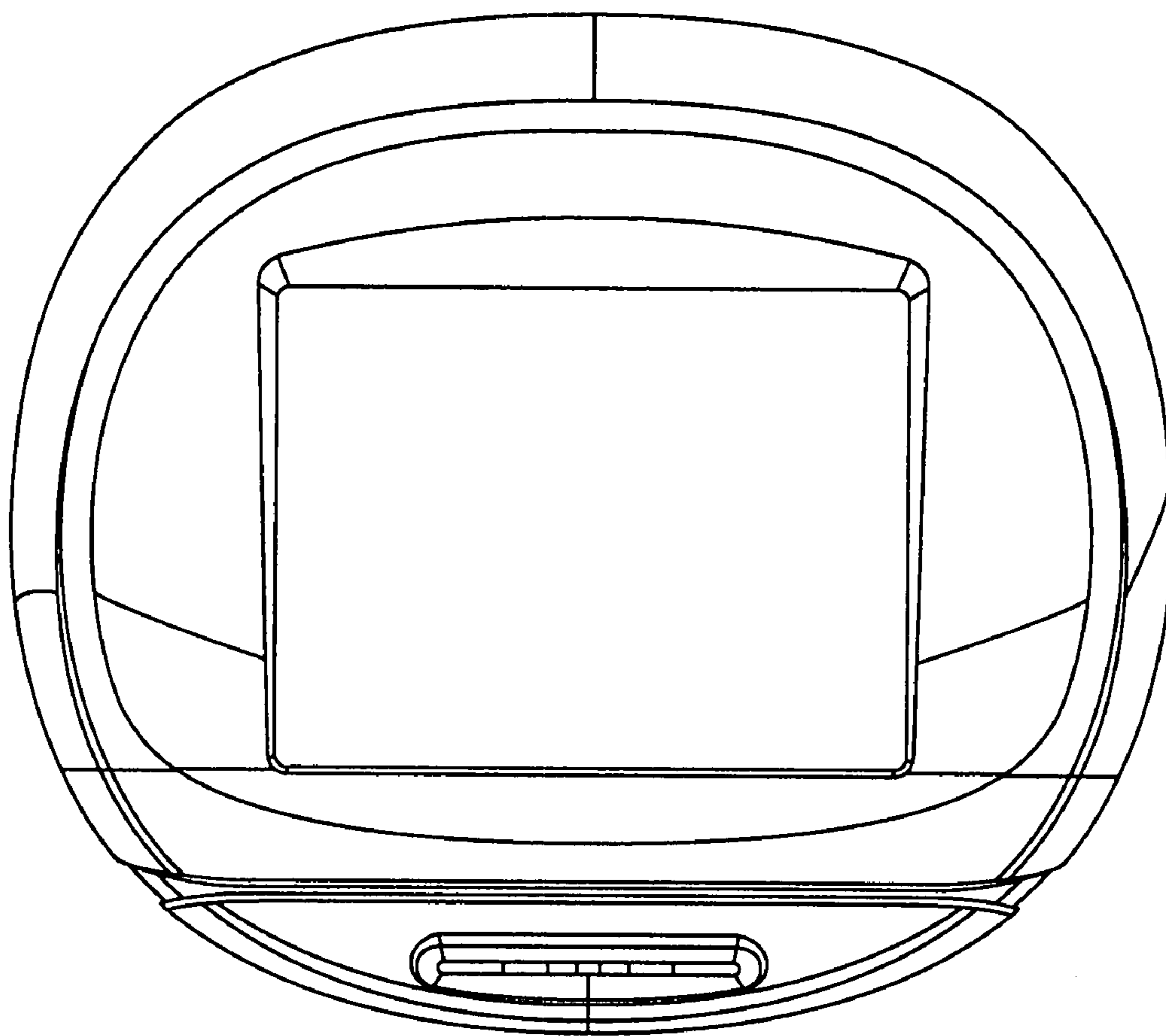


FIG.6

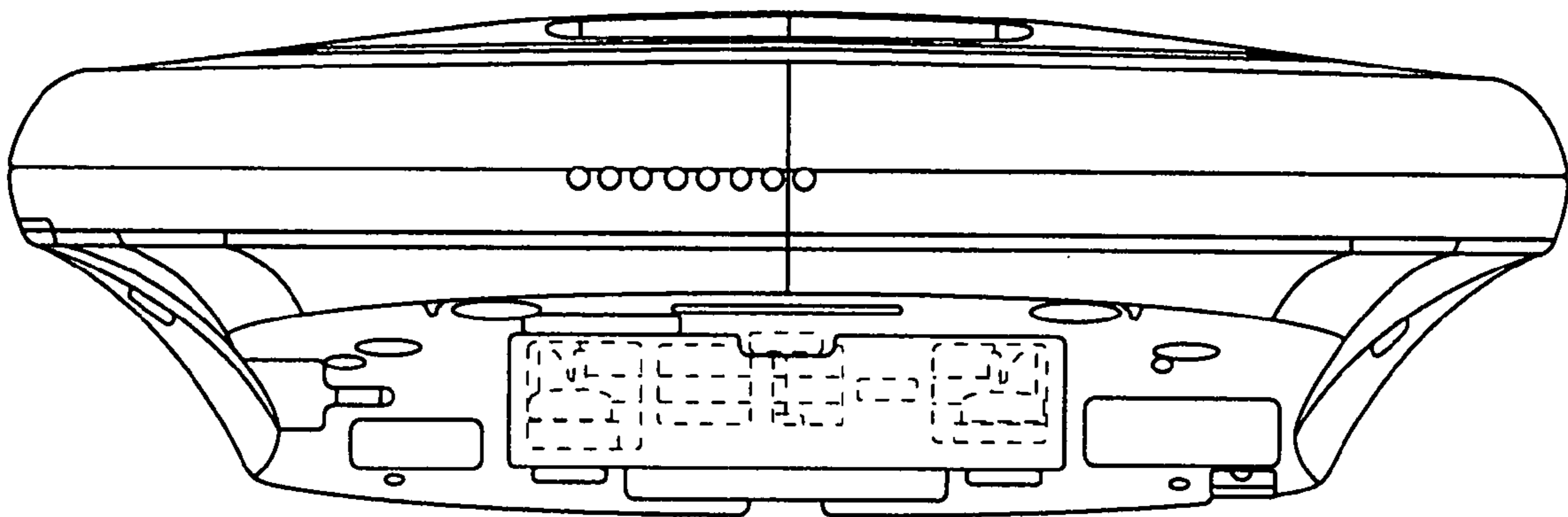


FIG. 7