

US00D553668S

(12) **United States Design Patent**
Hicks et al.

(10) **Patent No.:** **US D553,668 S**

(45) **Date of Patent:** **** Oct. 23, 2007**

(54) **GUITAR SLIDE BAR**

(76) Inventors: **Willice E. Hicks**, 607 S. 11th St., Ft. Pierce, FL (US) 34950; **Anna Ecker Hicks**, 607 S. 11th St., Ft. Pierce, FL (US) 34950

(**) Term: **14 Years**

(21) Appl. No.: **29/240,974**

(22) Filed: **Oct. 21, 2005**

(51) **LOC (8) Cl.** **17-03**

(52) **U.S. Cl.** **D17/20**

(58) **Field of Classification Search** D17/20,
D17/21, 99; 84/102, 291-293, 298, 299,
84/307, 319, 453, 455, 275, 276
See application file for complete search history.

(56) **References Cited**

U.S. PATENT DOCUMENTS

3,386,325	A *	6/1968	Smith	84/319
3,691,893	A *	9/1972	Dickson, Jr.	84/453
3,822,629	A *	7/1974	Smith	84/319
D337,345	S *	7/1993	Gracie	D17/99
D368,733	S *	4/1996	Expose	D17/20

6,242,676 B1 * 6/2001 Romero 84/315

* cited by examiner

Primary Examiner—Ian Simmons

Assistant Examiner—R. Johnson

(57) **CLAIM**

The ornamental design for a guitar slide bar, as shown and described.

DESCRIPTION

FIG. 1 is a perspective view of a guitar slide showing my new design;

FIG. 2 is another perspective view thereof;

FIG. 3 is a top plan view thereof;

FIG. 4 is a bottom plan view thereof;

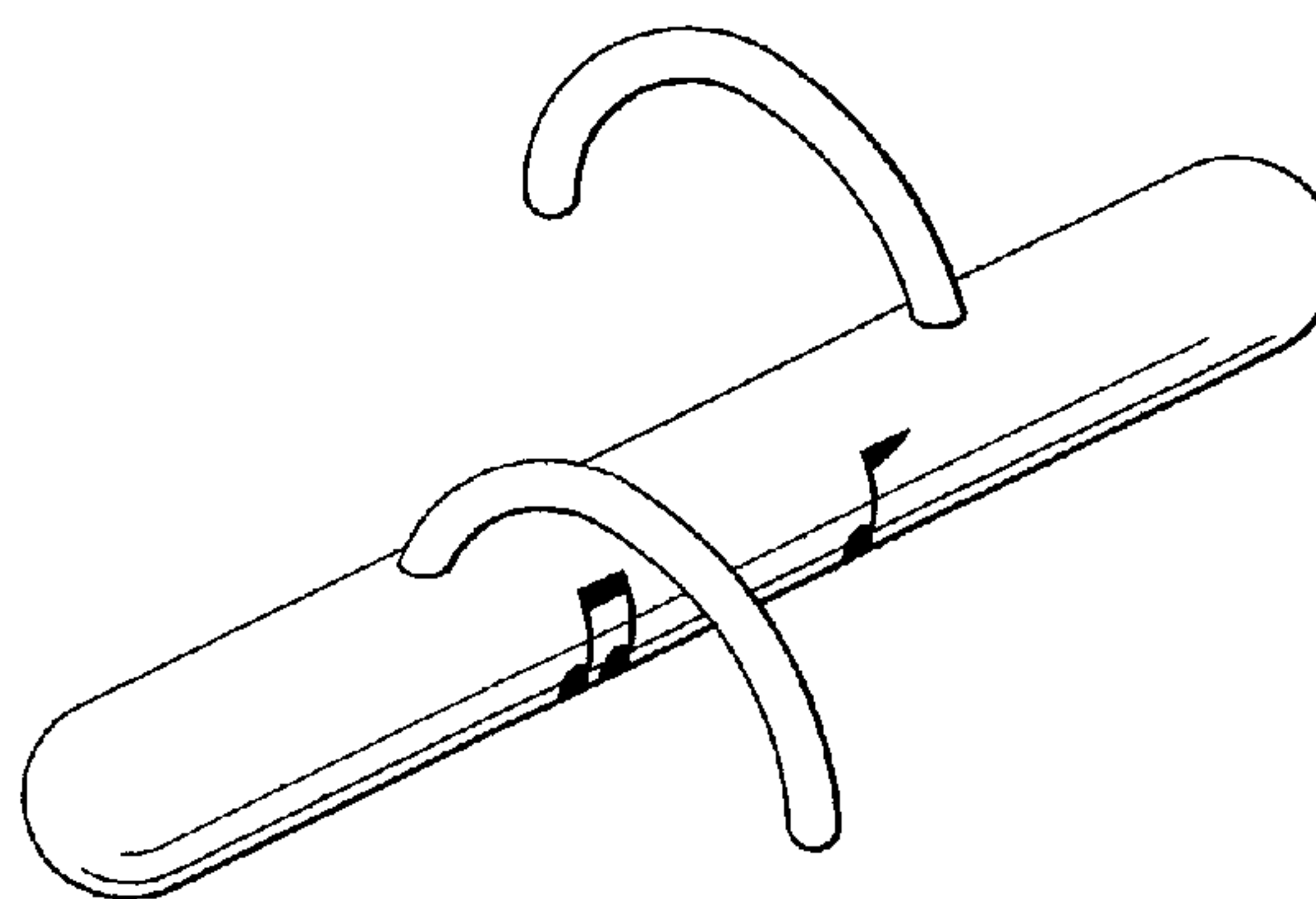
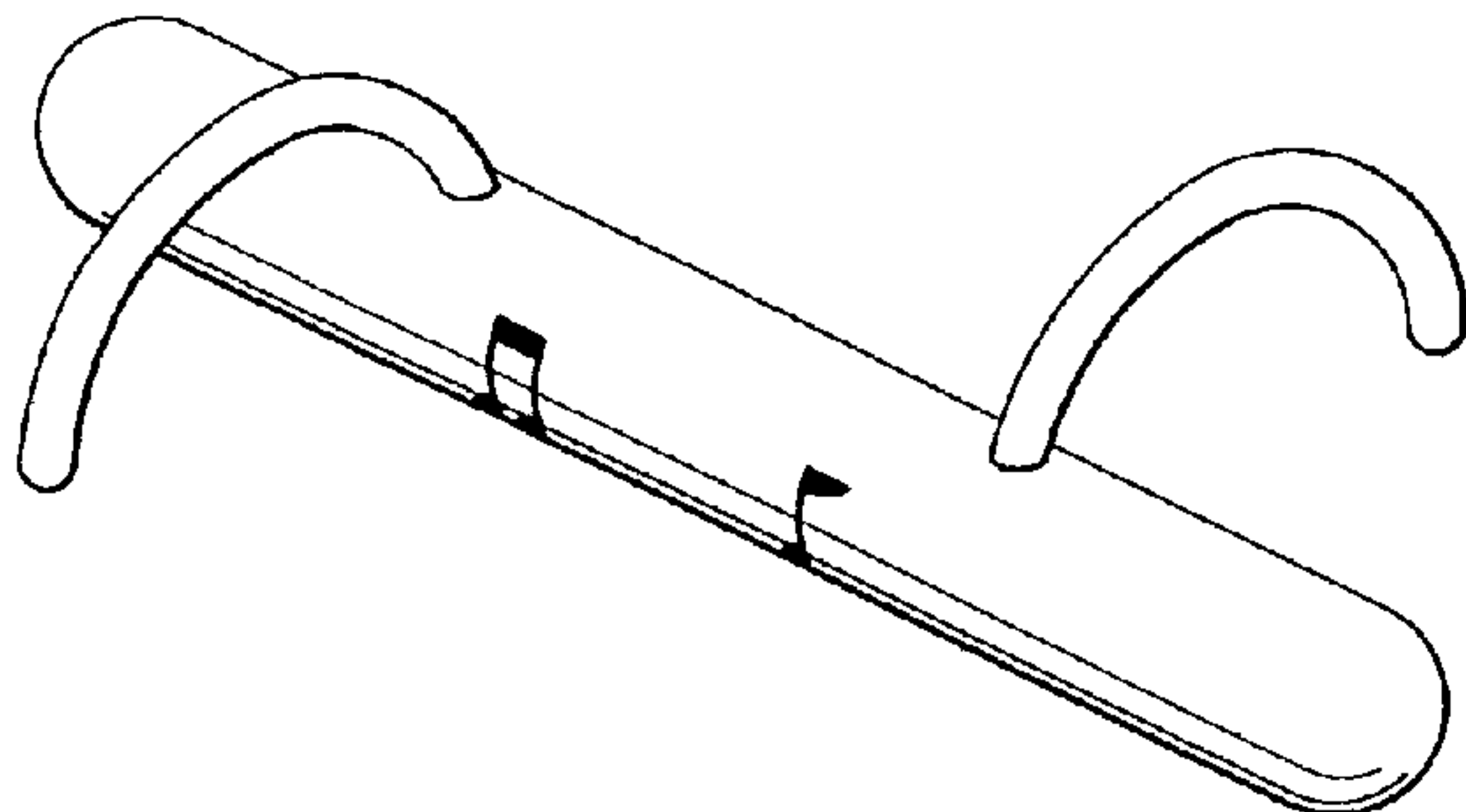
FIG. 5 is a side elevational view thereof;

FIG. 6 is another side elevational view thereof, taken from the opposite side of FIG. 5;

FIG. 7 is an end view thereof; and,

FIG. 8 is another end view thereof, taken from the opposite end of FIG. 7.

1 Claim, 4 Drawing Sheets



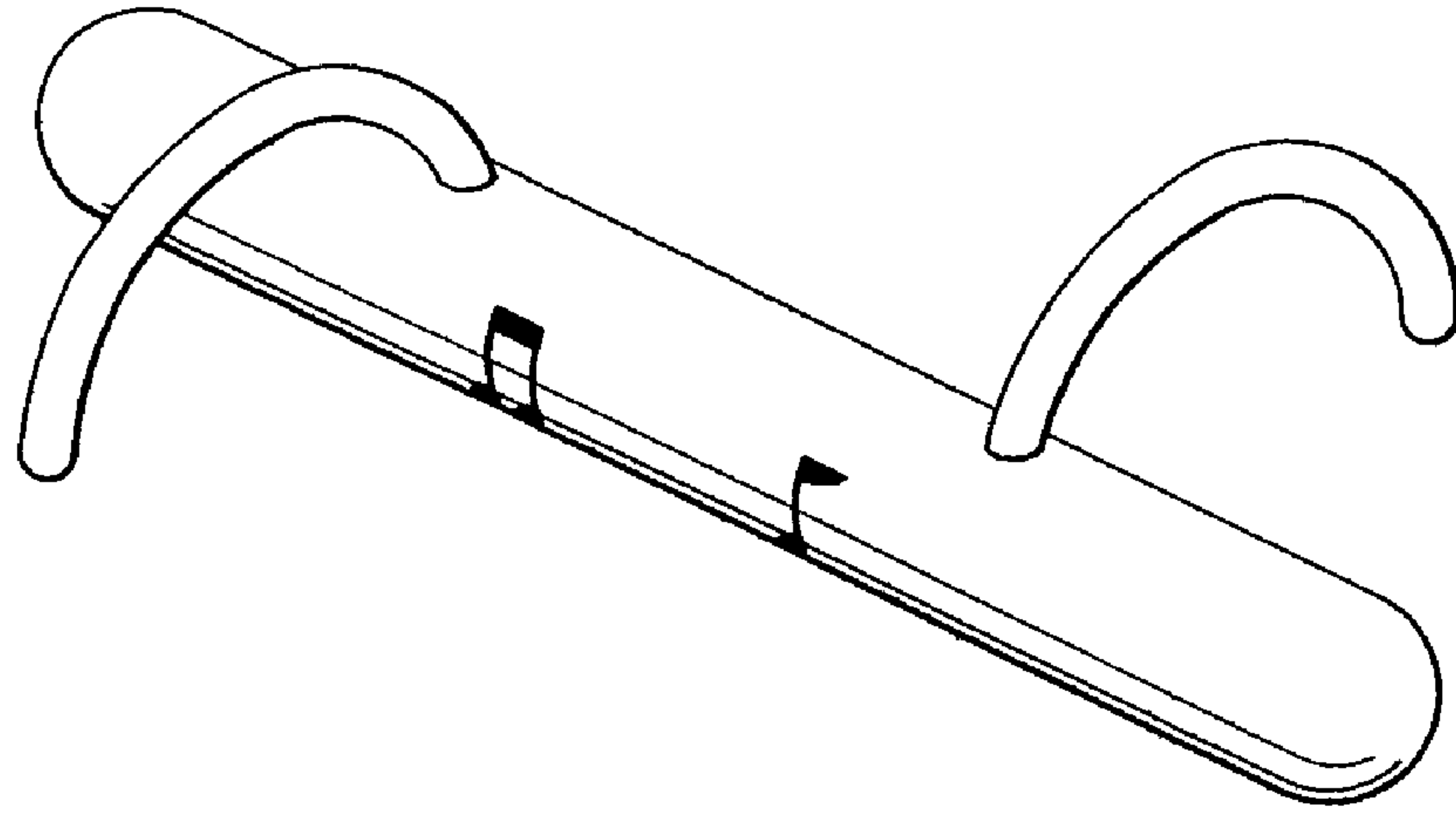


FIG. 1

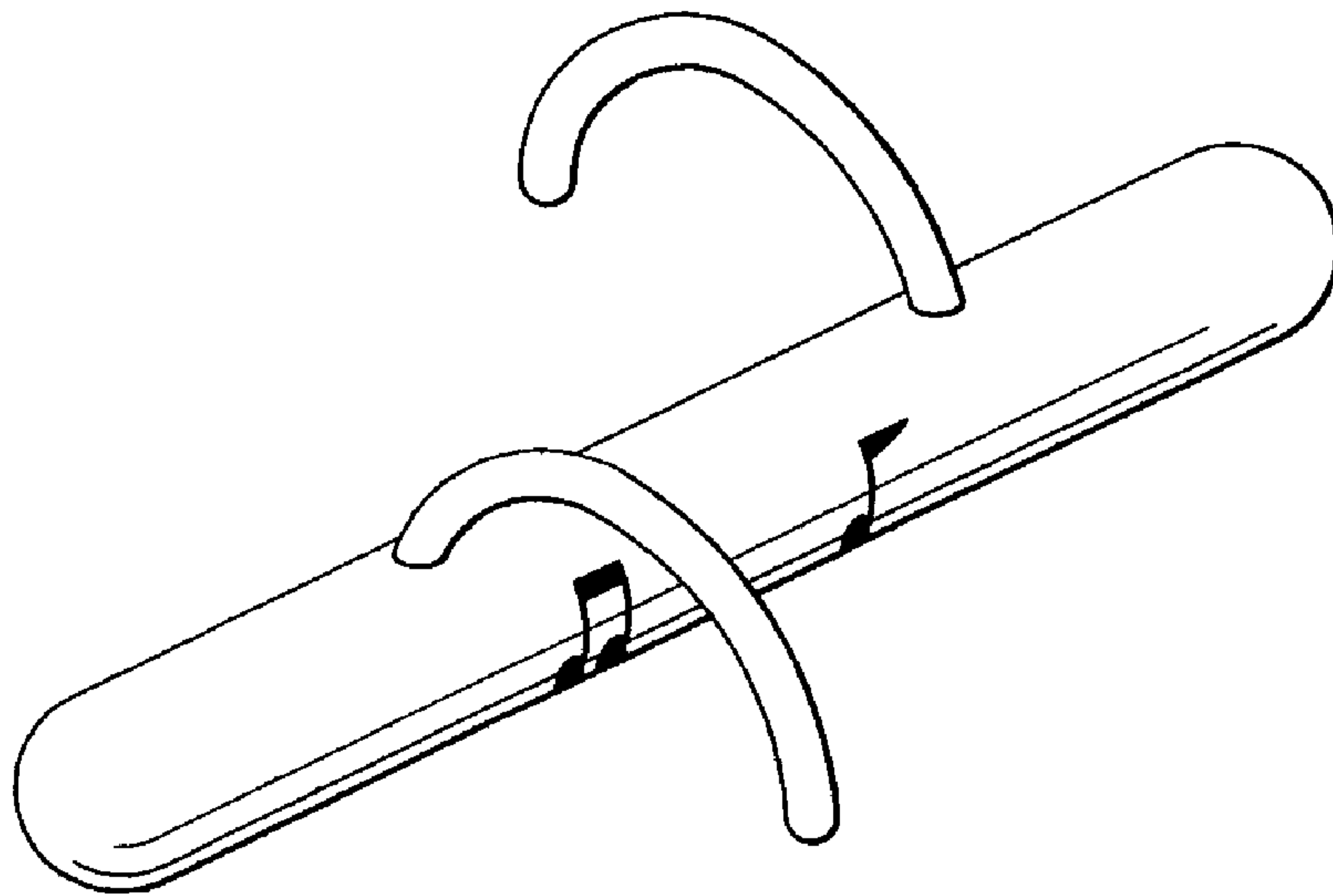


FIG. 2

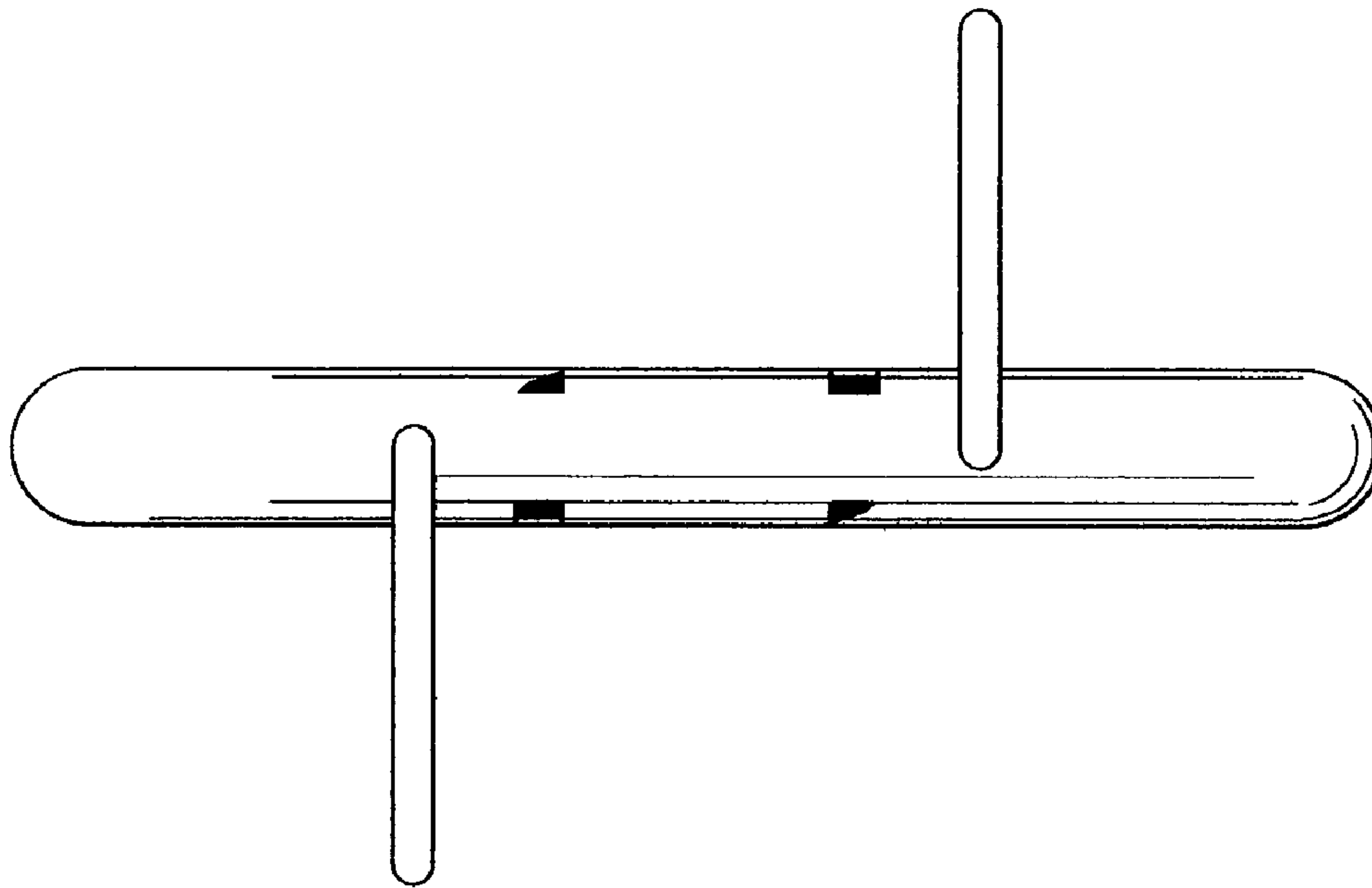


FIG. 3

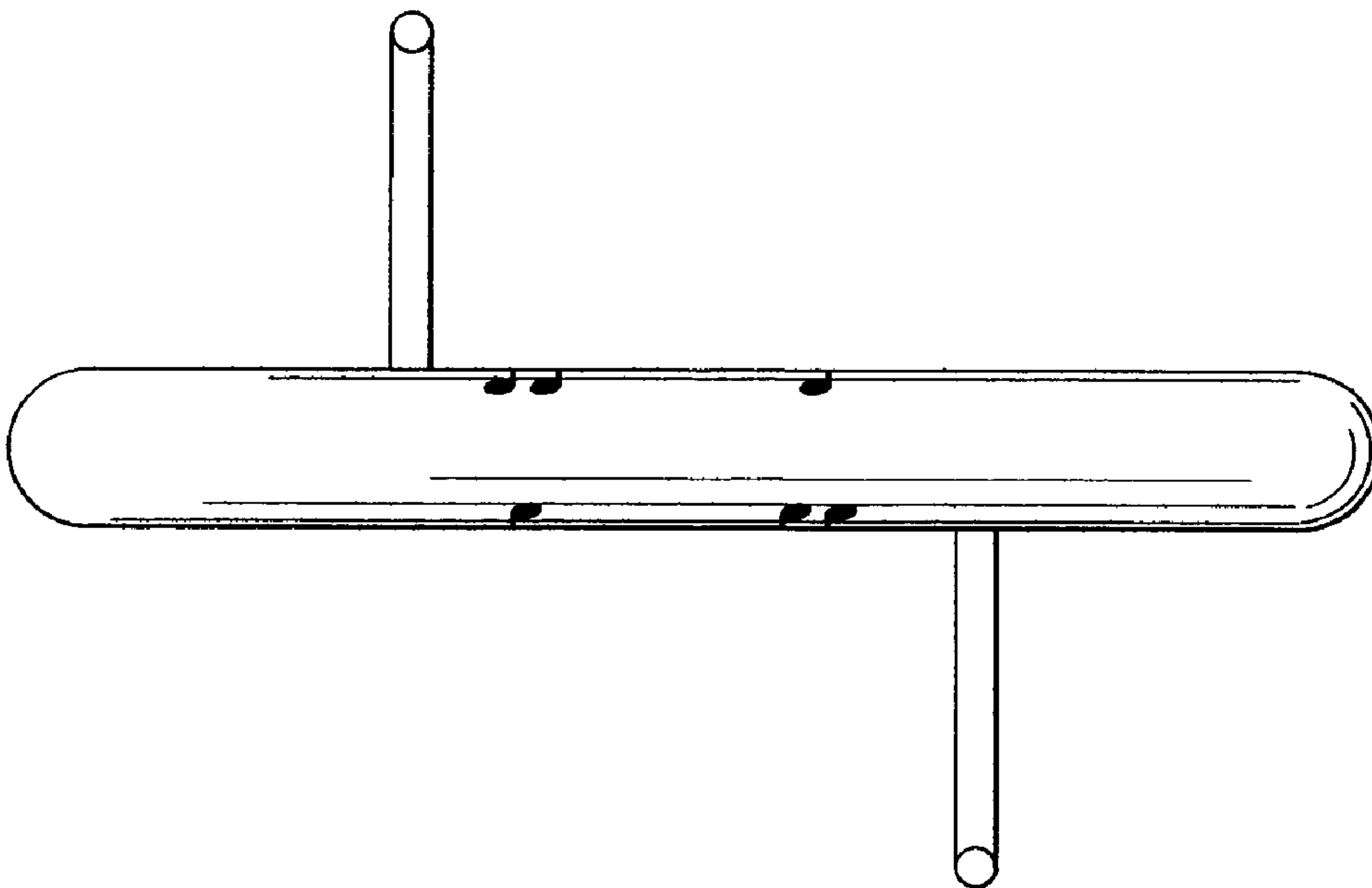


FIG. 4

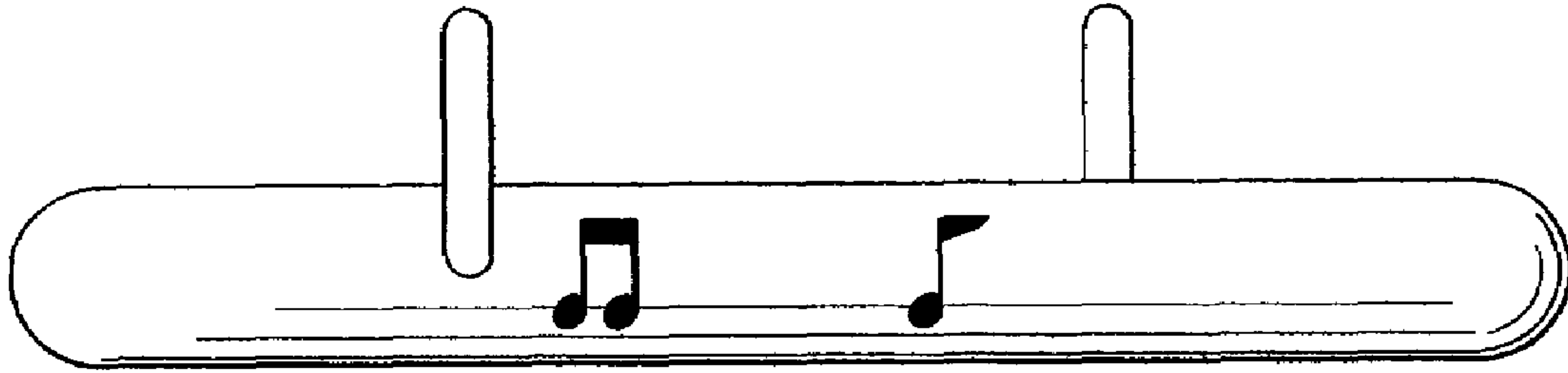


FIG. 5

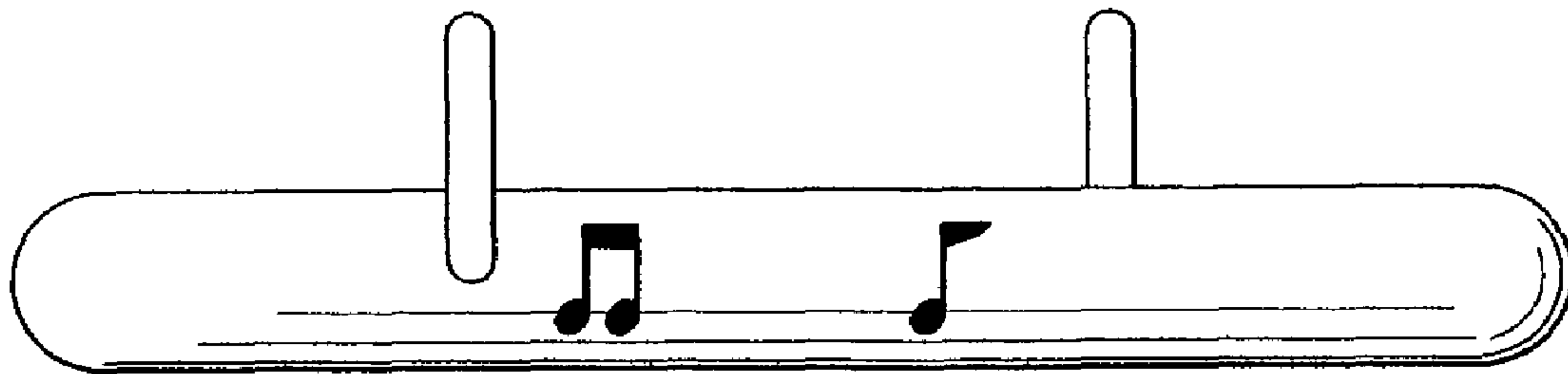


FIG. 6

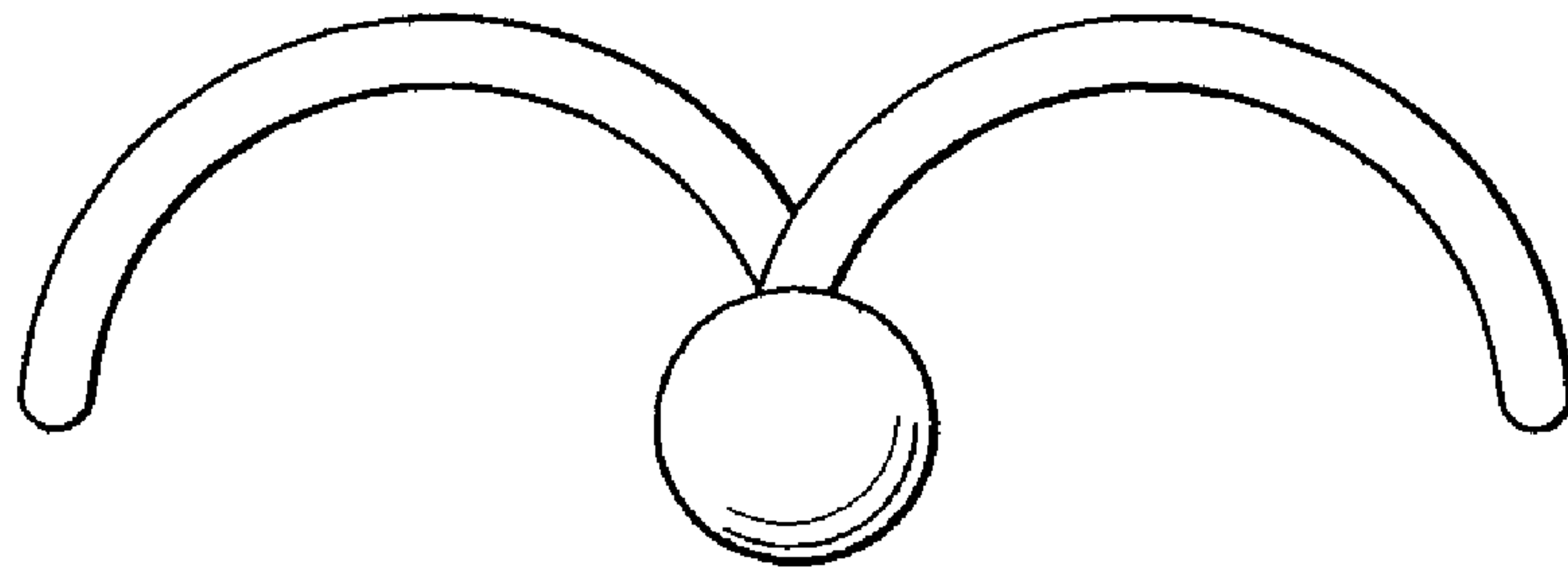


FIG. 7

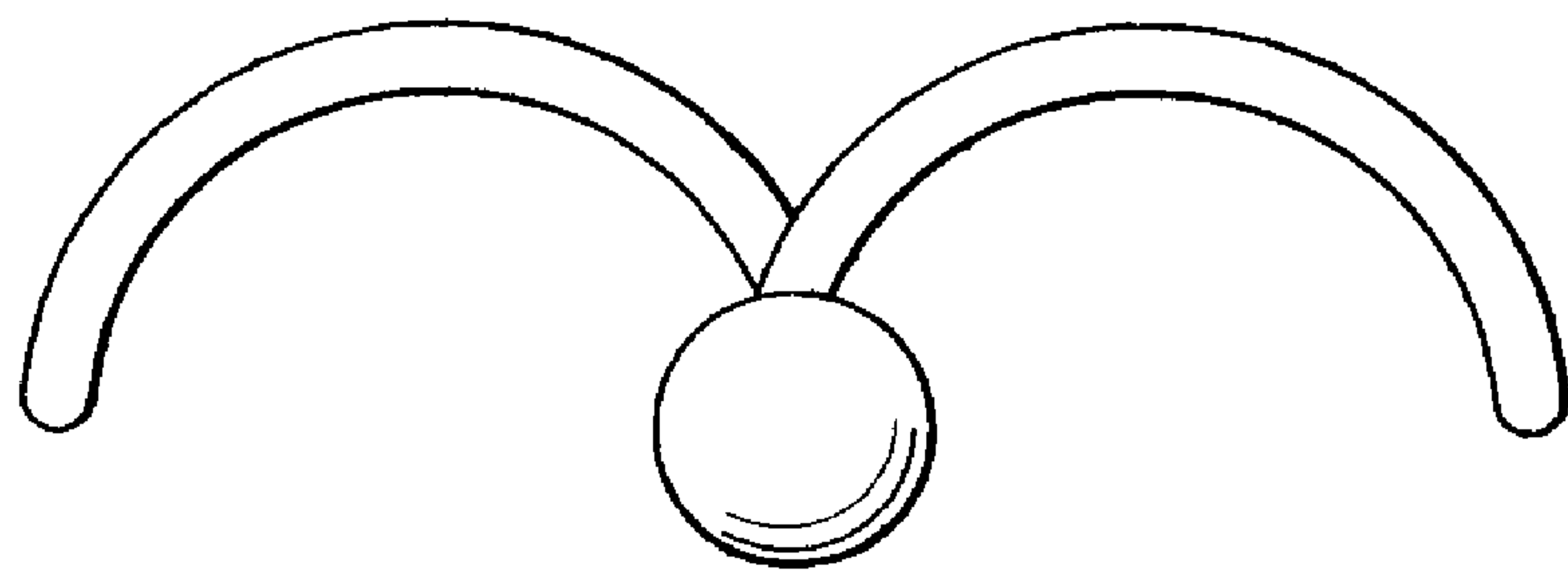


FIG. 8