



US00D553661S

(12) **United States Design Patent**  
**Nakayama et al.**

(10) **Patent No.:** **US D553,661 S**

(45) **Date of Patent:** **\*\* Oct. 23, 2007**

(54) **PROJECTOR**

(75) Inventors: **Daisuke Nakayama**, Nagoya (JP);  
**Takeshi Kitakata**, Kuwana (JP);  
**Hidetaka Hoshino**, Nukata-gun (JP);  
**Tomoyuki Okamoto**, Kasugai (JP)

(73) Assignee: **Brother Industries, Ltd.**, Nagoya (JP)

(\*\*) Term: **14 Years**

(21) Appl. No.: **29/261,657**

(22) Filed: **Jun. 19, 2006**

(30) **Foreign Application Priority Data**

Dec. 20, 2005 (JP) ..... 2005-037477

(51) **LOC (8) Cl.** ..... **16-02**

(52) **U.S. Cl.** ..... **D16/235**

(58) **Field of Classification Search** ..... D16/208,  
D16/221, 225, 229, 230, 231, 234, 235; D21/514;  
352/34, 242; 353/115, 119, 122, 52, 61,  
353/57, 60; 349/5, 7, 58  
See application file for complete search history.

(56) **References Cited**

**U.S. PATENT DOCUMENTS**

3,920,323 A \* 11/1975 Nishitani ..... 353/61  
5,876,105 A \* 3/1999 Rodriguez, Jr. .... 353/119  
D409,644 S \* 5/1999 Uehara ..... D16/234

6,231,191 B1 \* 5/2001 Shiraishi et al. .... 353/61  
D464,667 S \* 10/2002 Nagai ..... D16/230  
D479,551 S \* 9/2003 Min et al. .... D16/225  
D498,488 S \* 11/2004 Oota et al. .... D16/225  
7,014,322 B2 \* 3/2006 Okoshi ..... 353/61  
7,052,144 B2 \* 5/2006 Nakamura ..... 353/61  
7,104,656 B2 \* 9/2006 Dwyer et al. .... 353/119  
2005/0036116 A1 \* 2/2005 Yajima et al. .... 353/61  
2005/0046808 A1 \* 3/2005 Shiraishi et al. .... 353/52  
2005/0117122 A9 \* 6/2005 Ito et al. .... 353/57

\* cited by examiner

*Primary Examiner*—Ian Simmons

*Assistant Examiner*—Wan Laymon

(74) *Attorney, Agent, or Firm*—Oliff & Berridge, PLC

(57) **CLAIM**

The ornamental design for a projector, as shown and described.

**DESCRIPTION**

FIG. 1 is a perspective view of a projector;

FIG. 2 is a front view thereof;

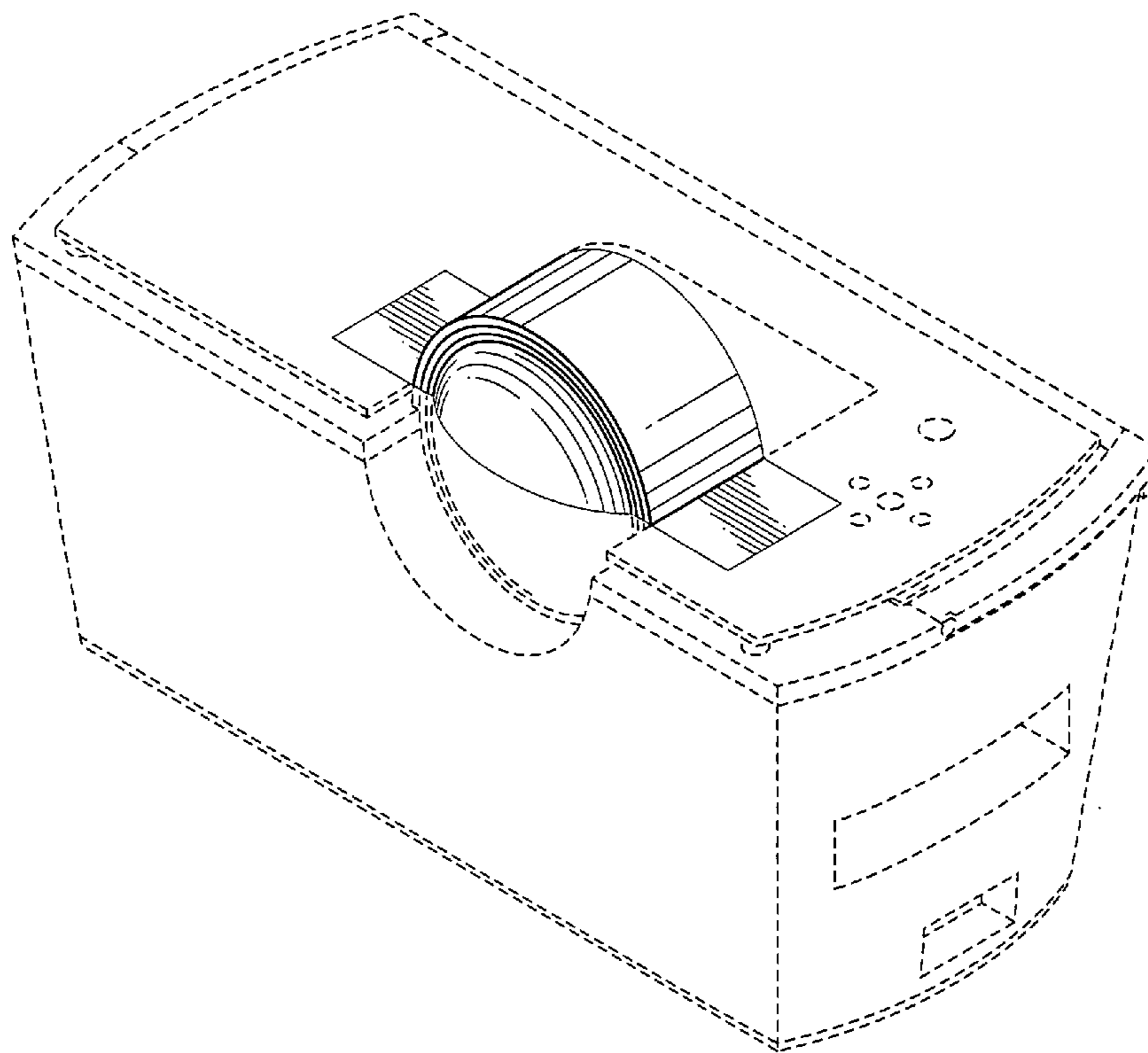
FIG. 3 is a top view thereof;

FIG. 4 is a right-side view thereof, and,

FIG. 5 is a left-side view thereof.

The broken lines are for illustrative purposes only and form no part of the claimed design.

**1 Claim, 3 Drawing Sheets**



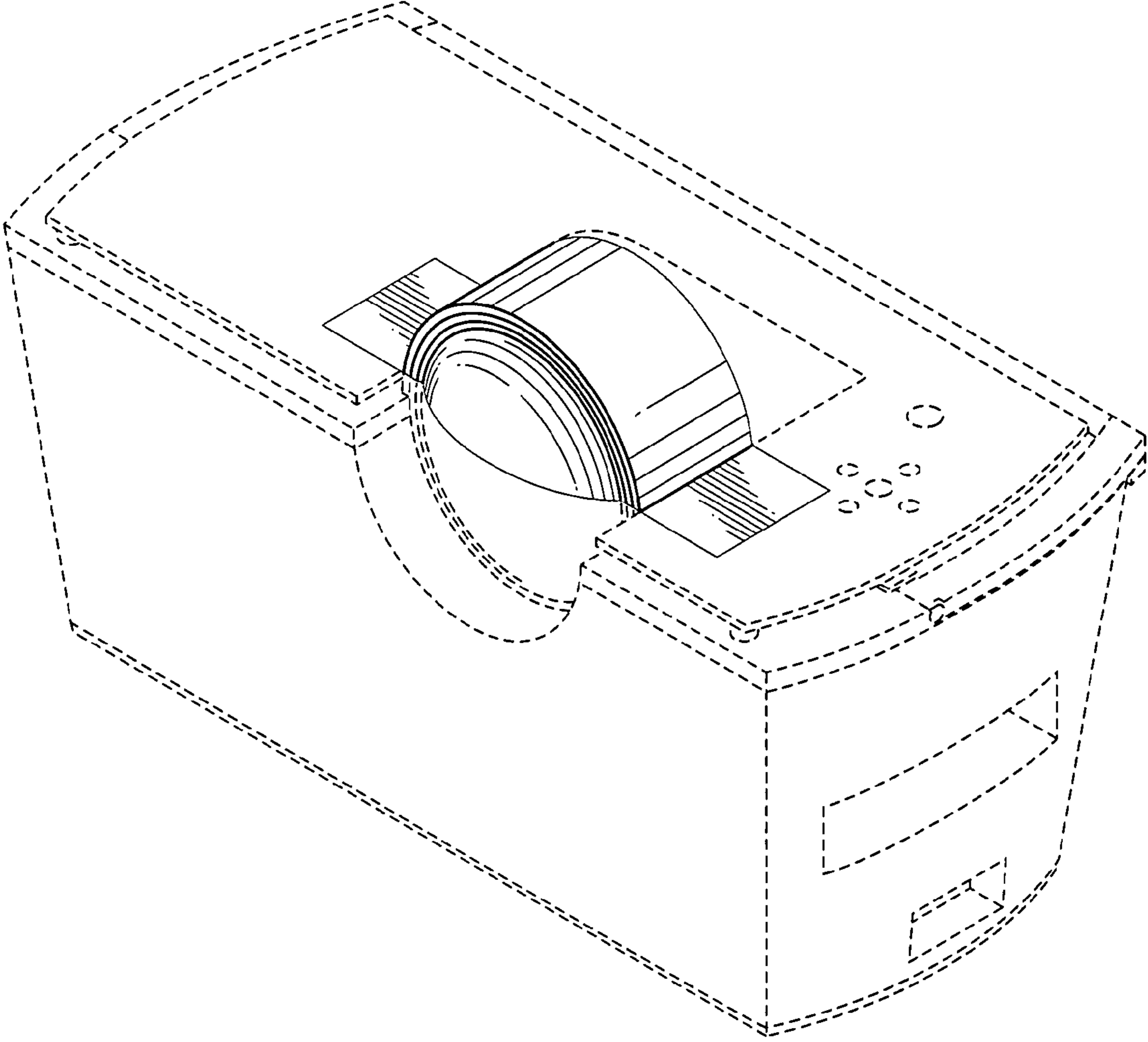


FIG. 1

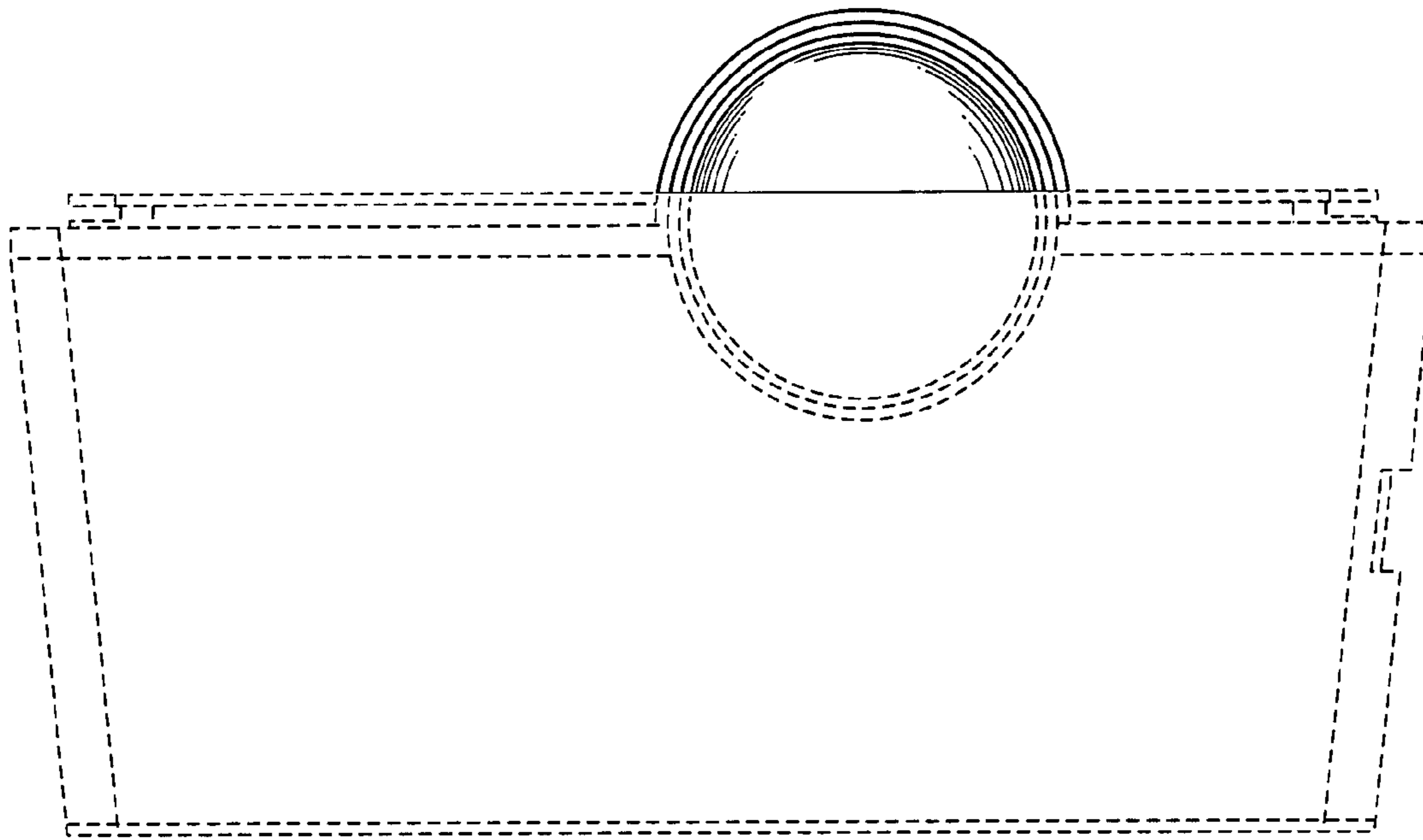


FIG. 2

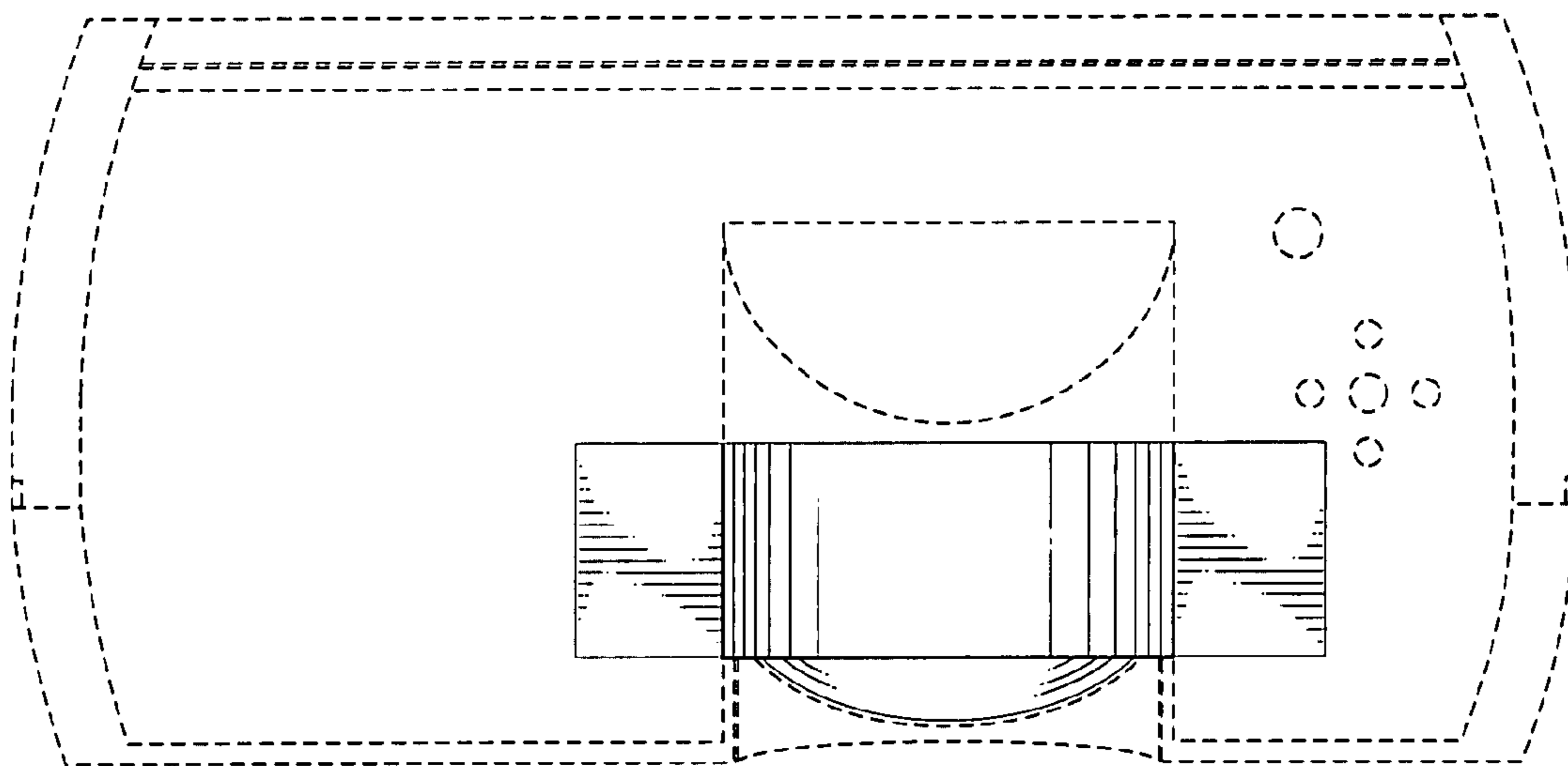


FIG. 3

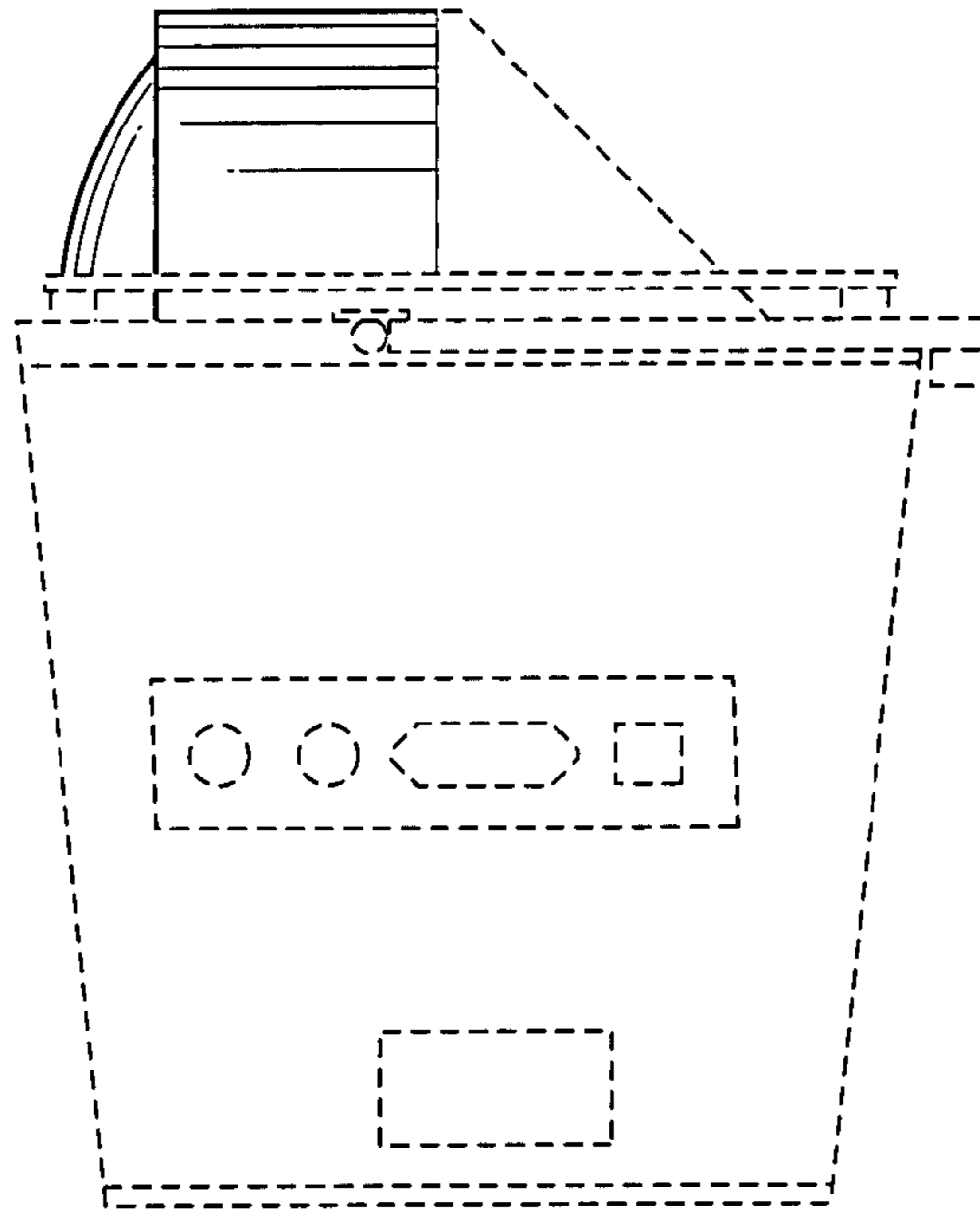


FIG. 4

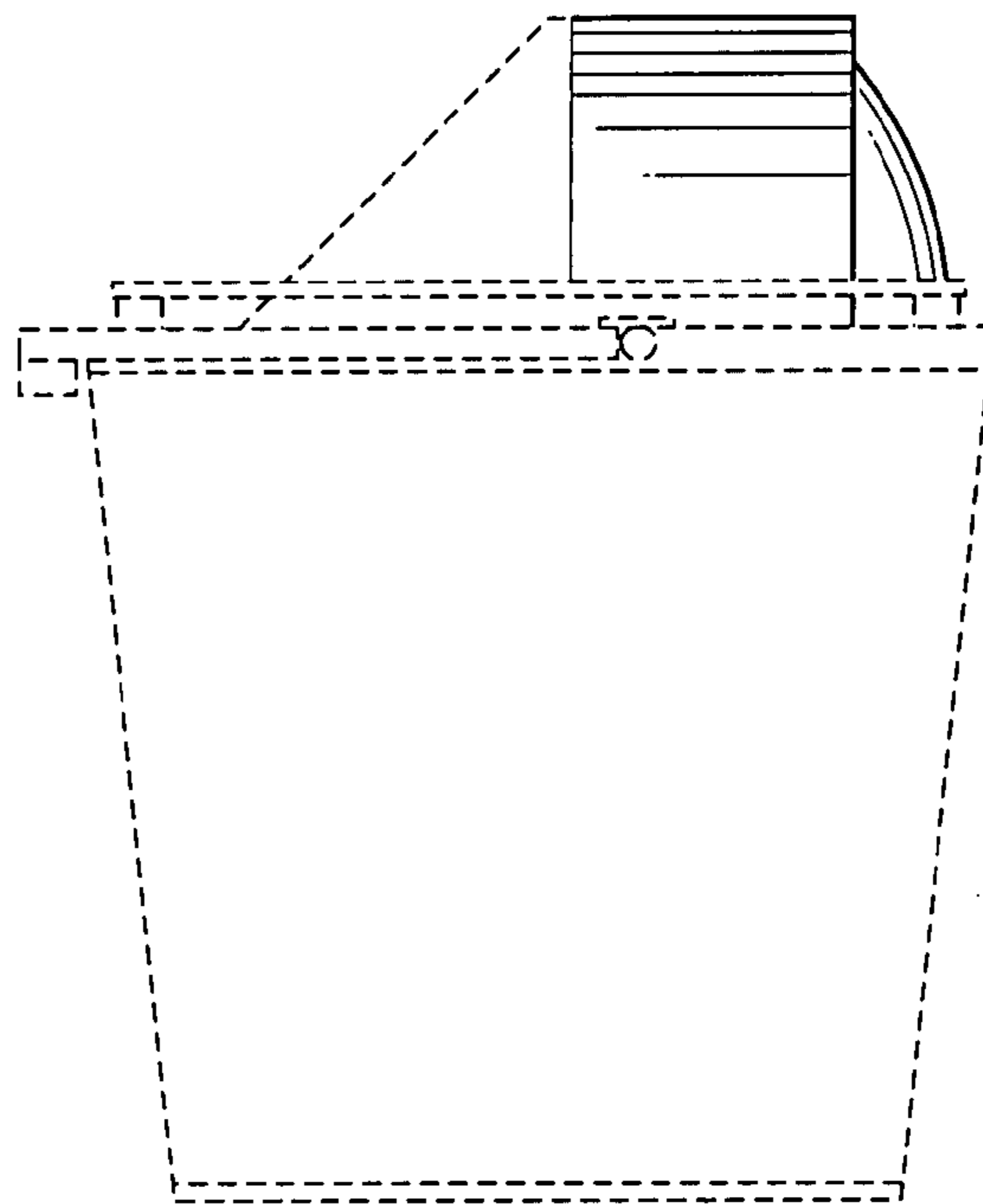


FIG. 5