



US00D553660S

(12) **United States Design Patent** (10) **Patent No.:** **US D553,660 S**
Yoneji (45) **Date of Patent:** **** Oct. 23, 2007**

(54) **SURVEILLANCE CAMERA FOR AN AUTOMOBILE**

2007/0104478 A1* 5/2007 Takahashi et al. 396/427

FOREIGN PATENT DOCUMENTS

(75) Inventor: **Osamu Yoneji**, Yokkaichi (JP)
(73) Assignees: **Autonetworks Technologies, Ltd.**,
Yokkaichi-Shi (JP); **Sumitomo Wiring Systems, Ltd.**,
Yokkaichi-Shi (JP); **Sumitomo Electric Industries, Ltd.**,
Osaka-Shi (JP)

JP	1220983	10/2004
JP	1220984	10/2004
JP	1226643	12/2004
JP	1226644	12/2004
JP	1226645	12/2004
JP	1226646	12/2004
JP	1226647	12/2004

* cited by examiner

(**) Term: **14 Years**

Primary Examiner—Ian Simmons

Assistant Examiner—Wan Laymon

(21) Appl. No.: **29/254,523**

(74) *Attorney, Agent, or Firm*—Sawyer Law Group LLP

(22) Filed: **Feb. 24, 2006**

(57) **CLAIM**

(30) **Foreign Application Priority Data**

Sep. 27, 2005 (JP) 2005-027813

Sep. 27, 2005 (JP) 2005-027815

The ornamental design for a surveillance camera for an automobile, as shown and described.

DESCRIPTION

(51) **LOC (8) Cl.** **16-01**

FIG. 1 is a front perspective view of a surveillance camera for an automobile showing my new design;

(52) **U.S. Cl.** **D16/203; D16/202**

FIG. 2 is a front view thereof;

(58) **Field of Classification Search** D16/200–204,

D16/208–209, 219, 134, 136, 205–206, 210,

D16/217; D12/177, 400; 340/435, 436,

340/438, 932.2, 933, 937; 348/118, 140,

348/142, 148, 151, 153, 159, 113, 143, 373–376;

396/421, 424, 427, 448, 428, 429, 433, 535–541;

224/488, 558

FIG. 3 is a rear view thereof;

FIG. 4 is a top plan view thereof;

FIG. 5 is a bottom plan view thereof;

FIG. 6 is a right side elevational view thereof, the left side

elevational view being a mirror image thereof;

FIG. 7 is a perspective view of a surveillance camera for an

automobile according to a second embodiment of the present

design;

FIG. 8 is a front view thereof;

FIG. 9 is a rear view thereof;

FIG. 10 is a top plan view thereof;

FIG. 11 is a bottom plan view thereof; and,

FIG. 12 is a right side elevational view thereof, the left side

elevational view being a mirror image thereof.

See application file for complete search history.

(56) **References Cited**

U.S. PATENT DOCUMENTS

D339,365 S * 9/1993 Urcuilio D16/203

5,850,254 A * 12/1998 Takano et al. 348/148

6,524,020 B2 * 2/2003 Ellinger et al. 396/419

D489,743 S * 5/2004 Owada D16/203

6,795,111 B1 * 9/2004 Mazzilli 348/148

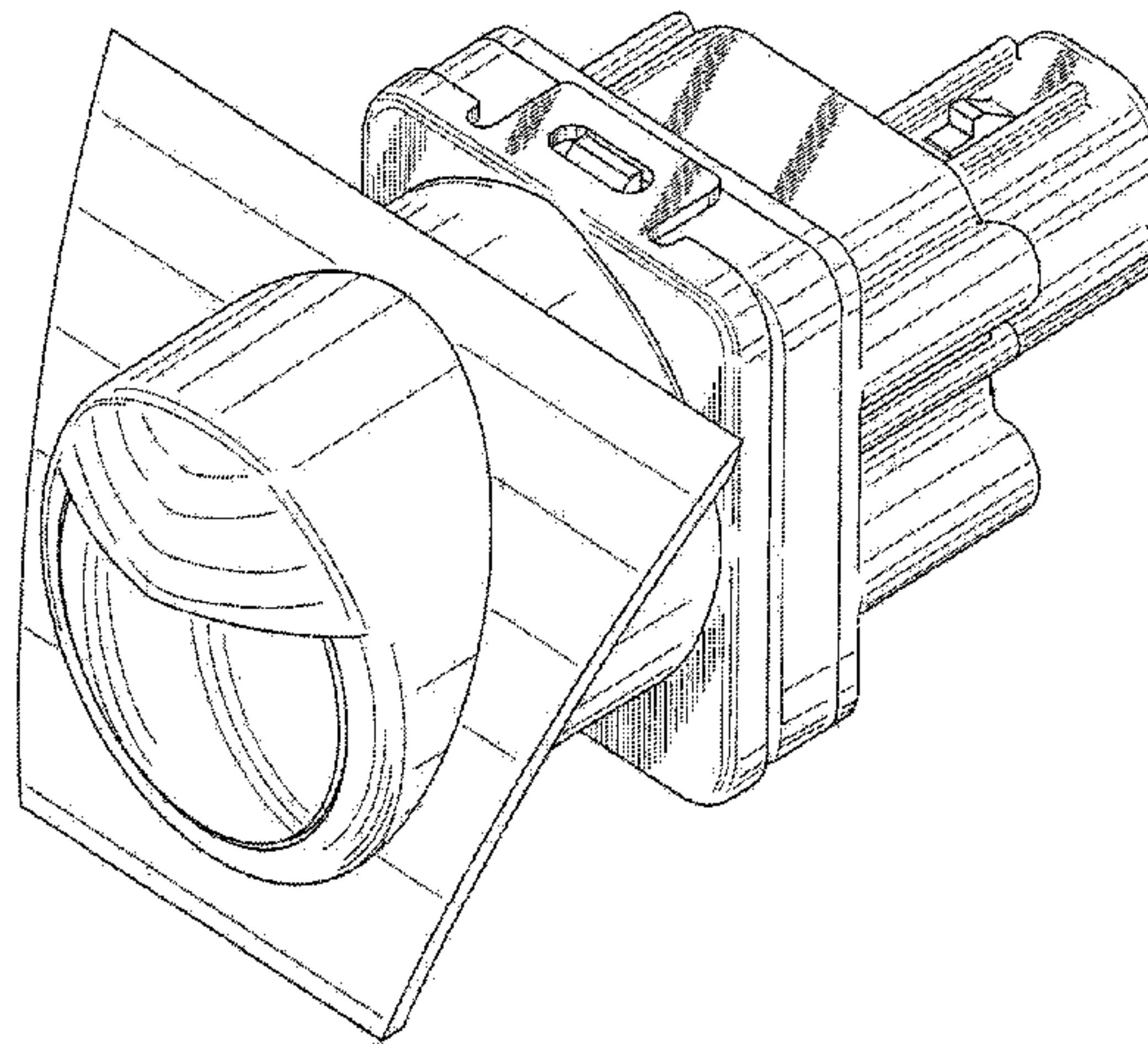
6,819,231 B2 * 11/2004 Berberich et al. 340/435

7,030,778 B2 * 4/2006 Ra 340/937

2003/0103140 A1 * 6/2003 Watkins 348/148

2005/0140785 A1 * 6/2005 Mazzilli 348/148

1 Claim, 12 Drawing Sheets



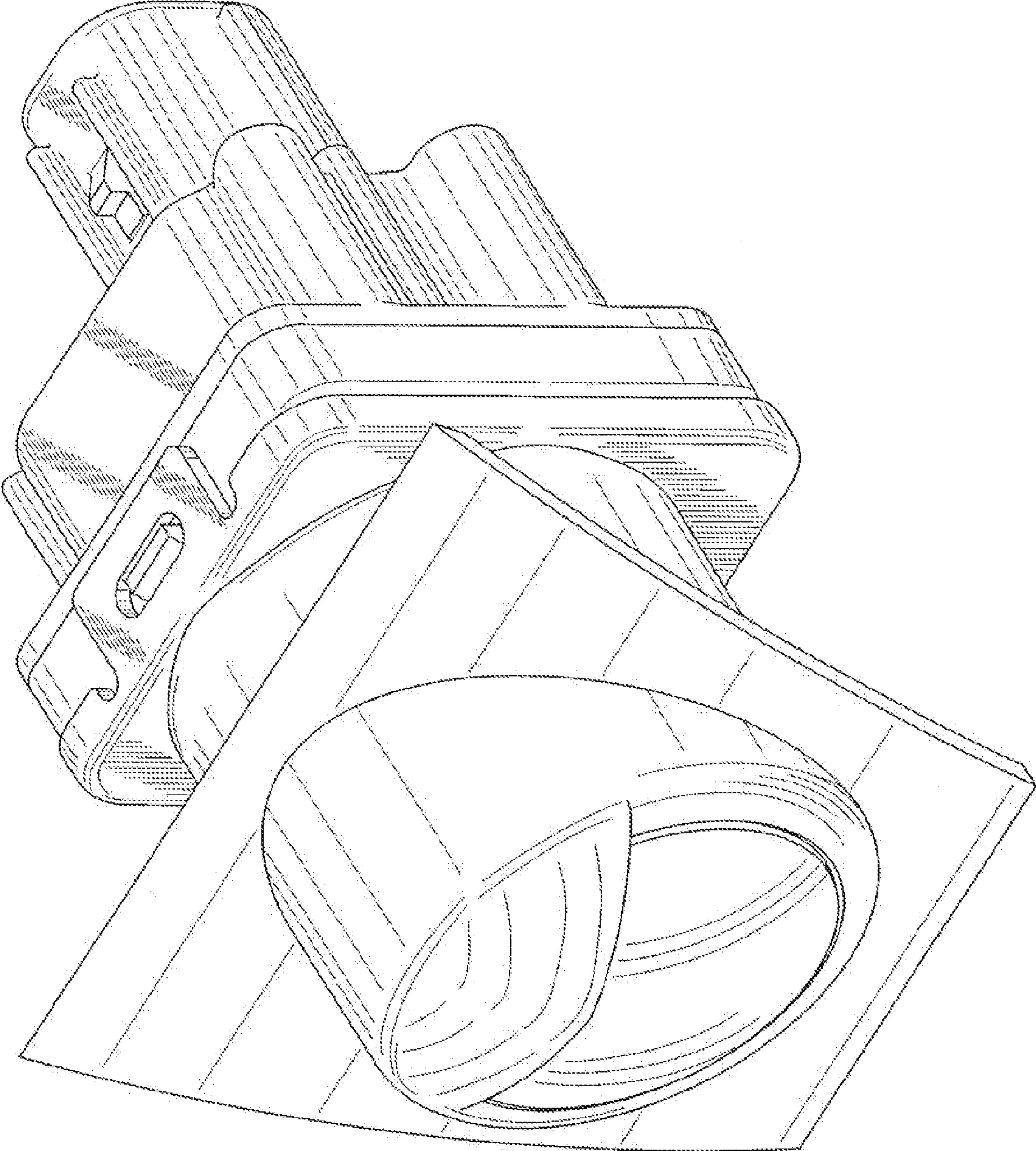


Fig. 1

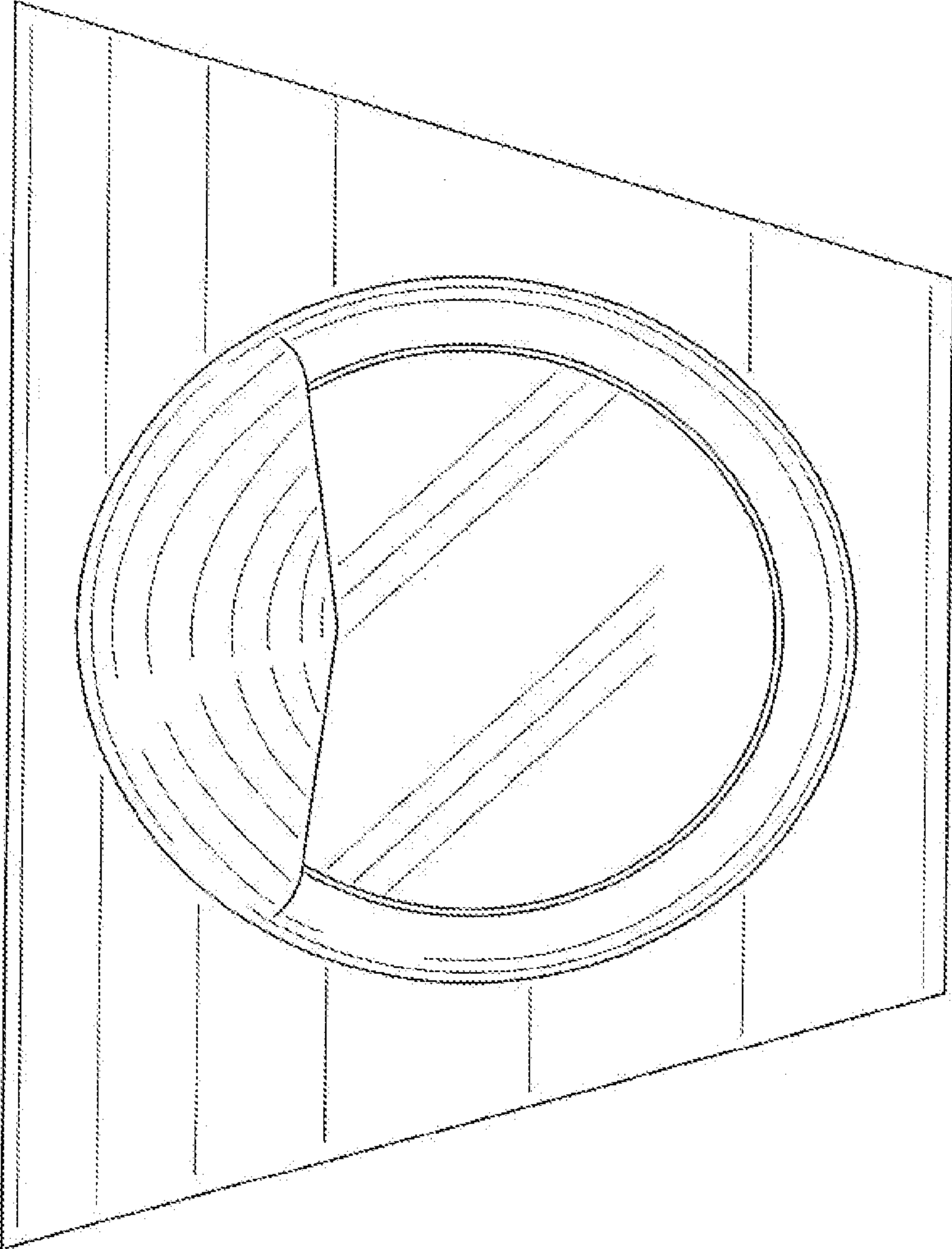


Fig. 2

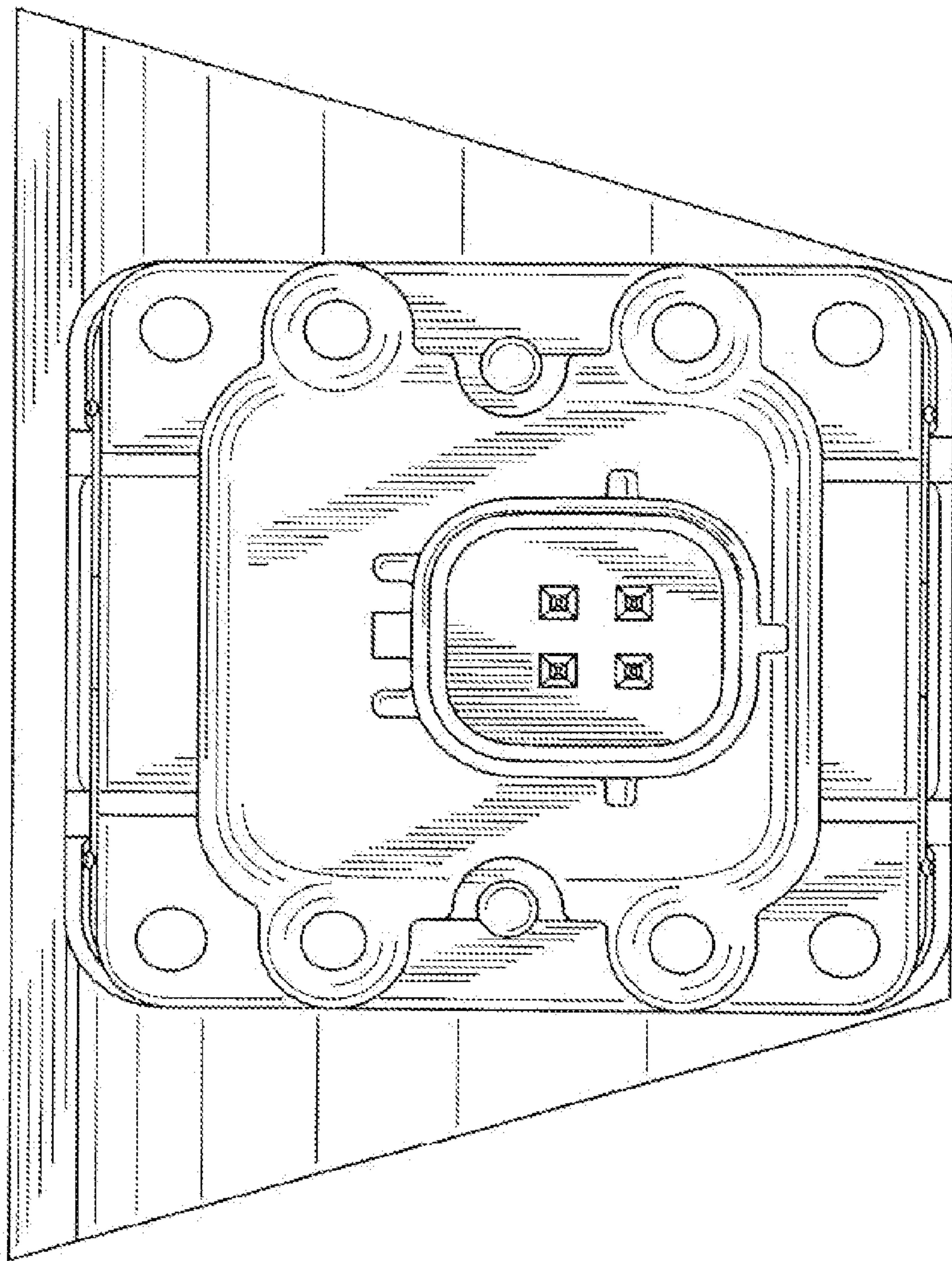


Fig. 3

Fig. 4

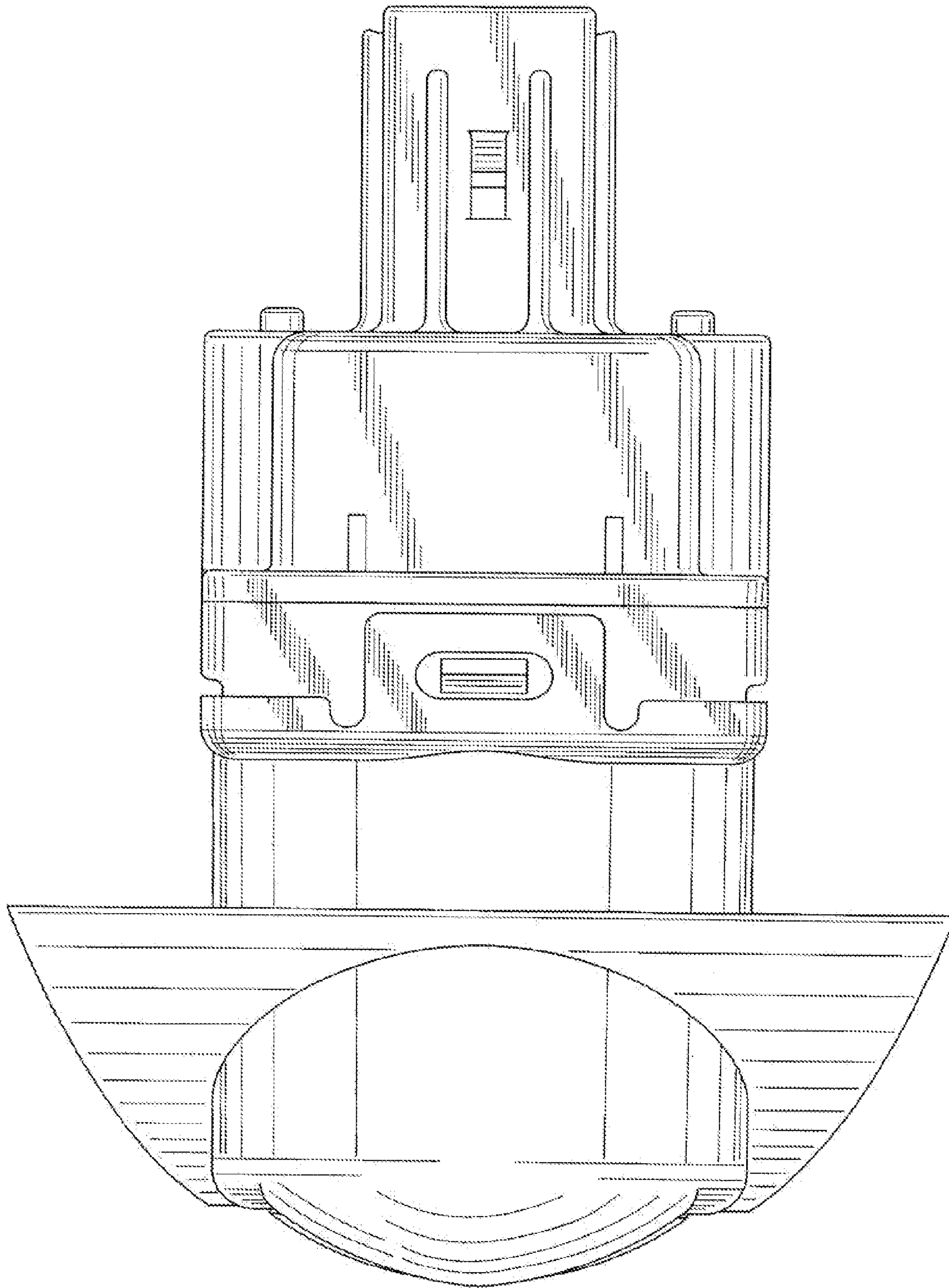
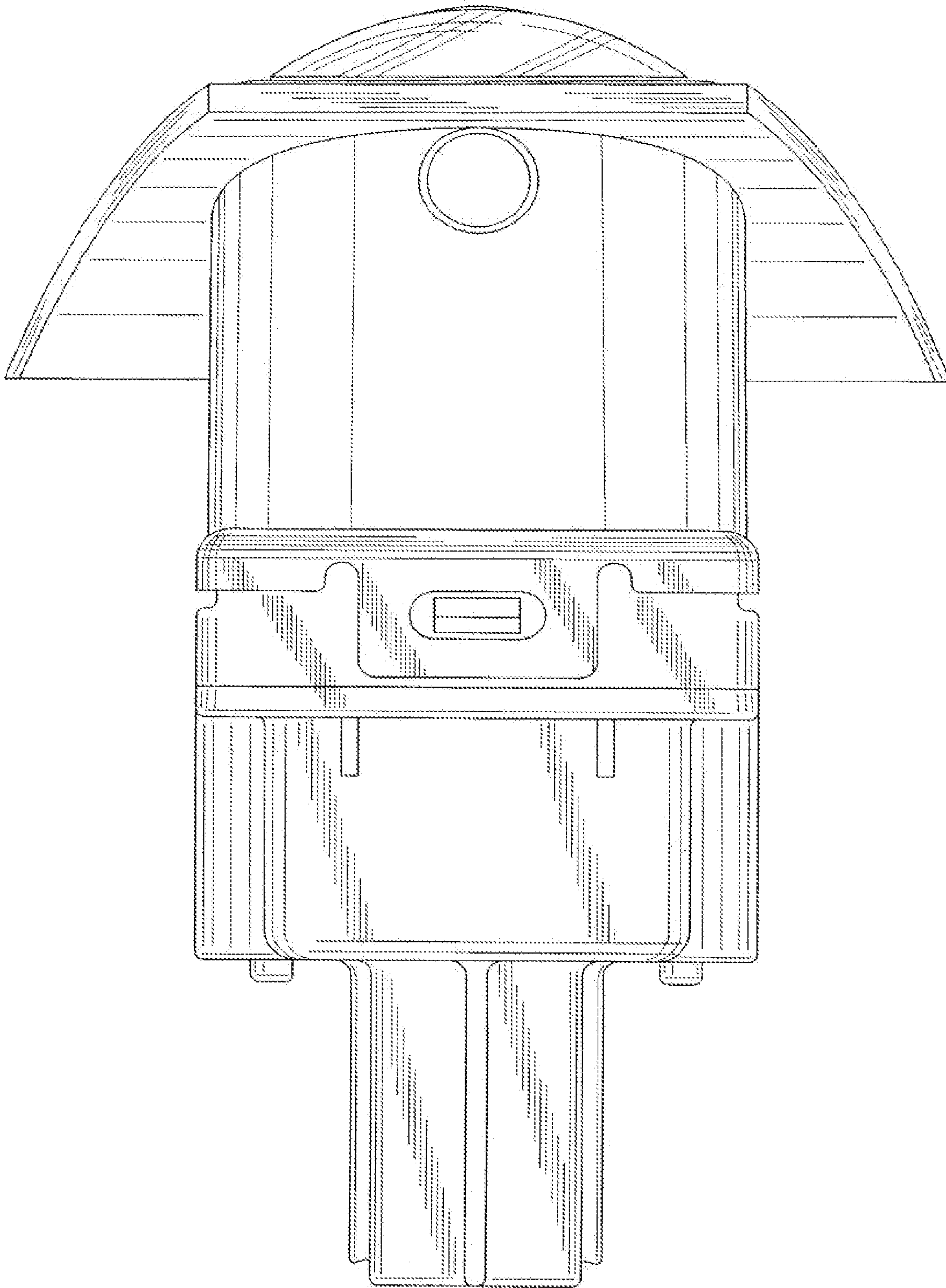


Fig. 5



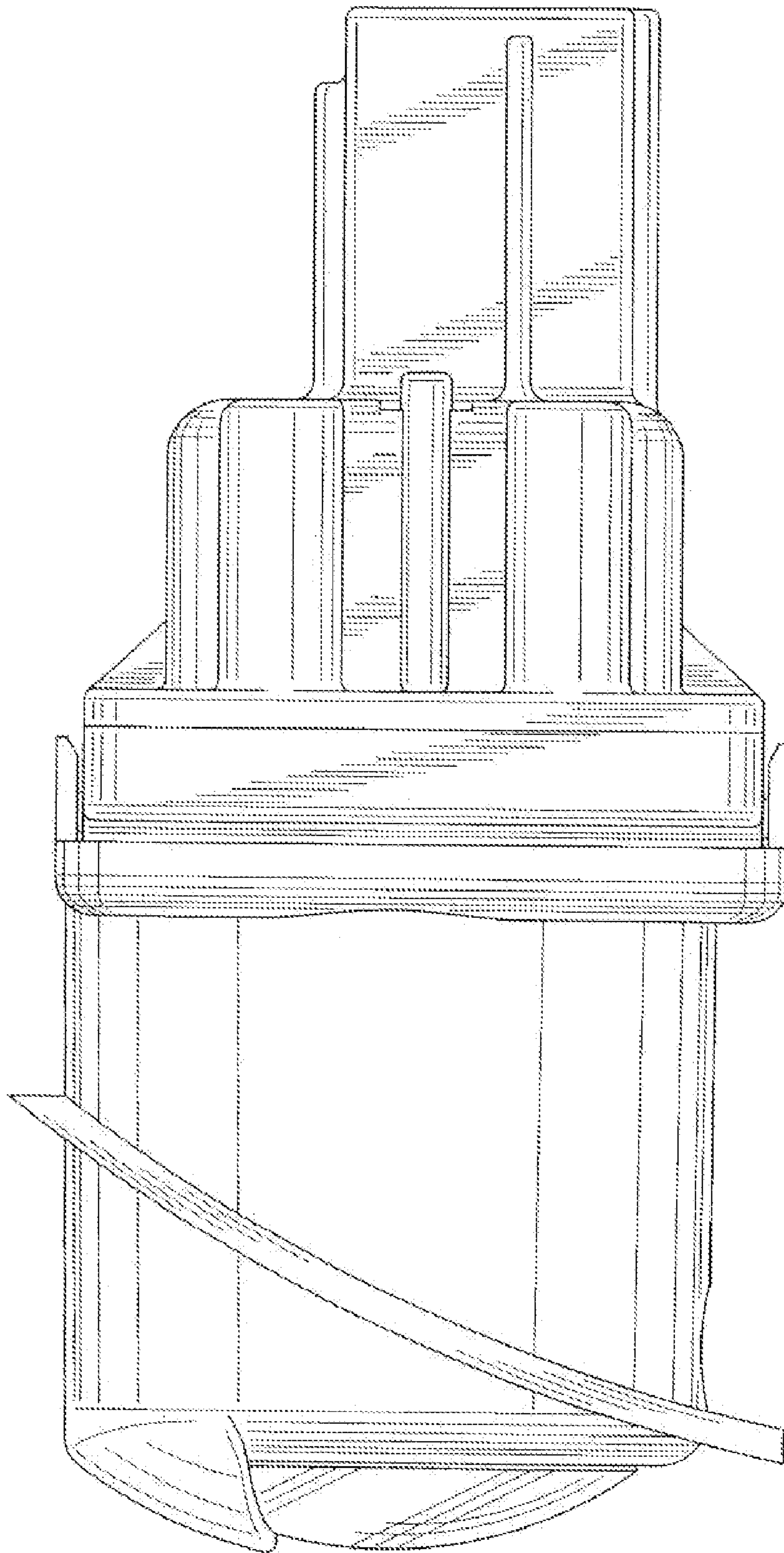


Fig. 6

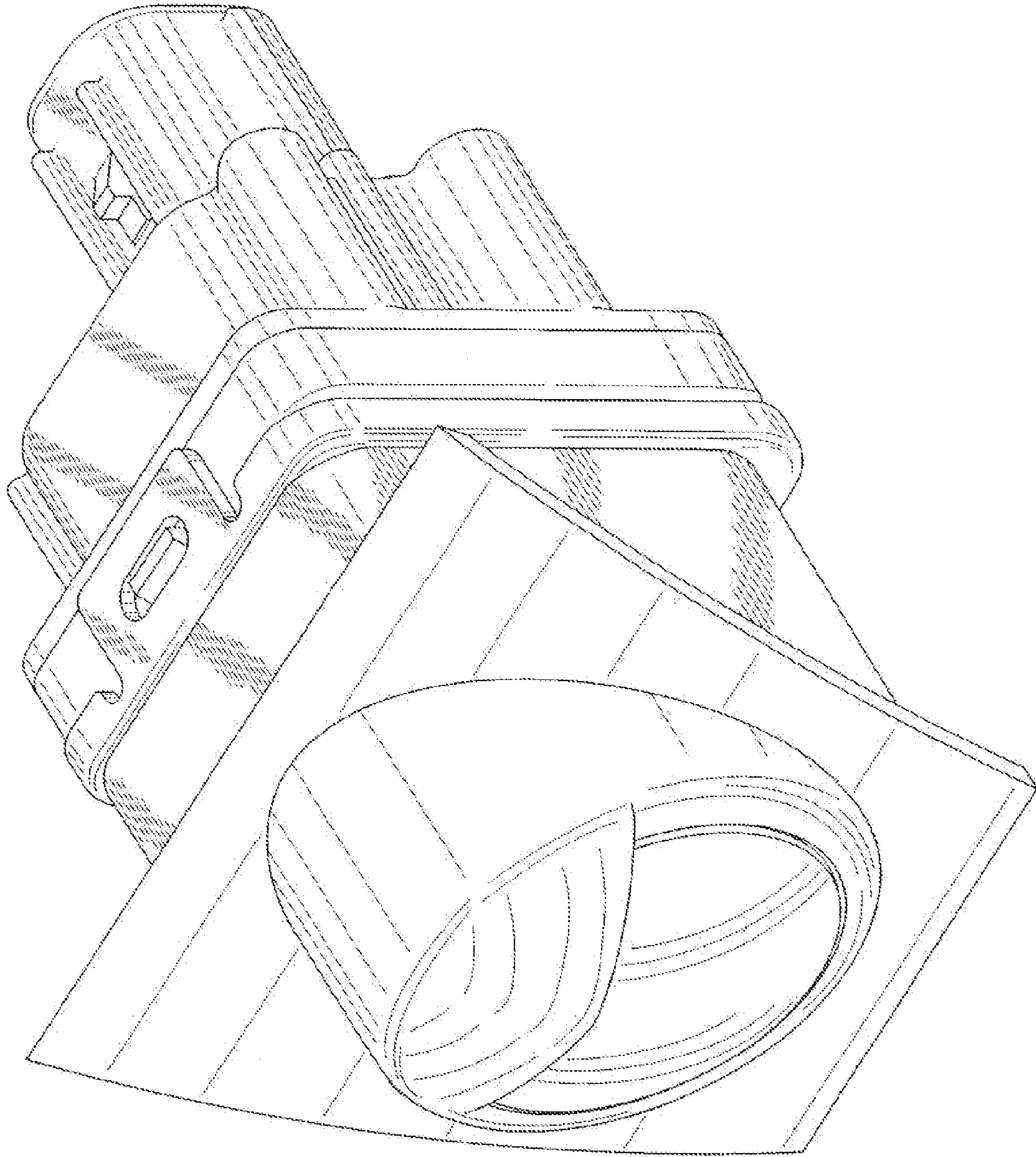
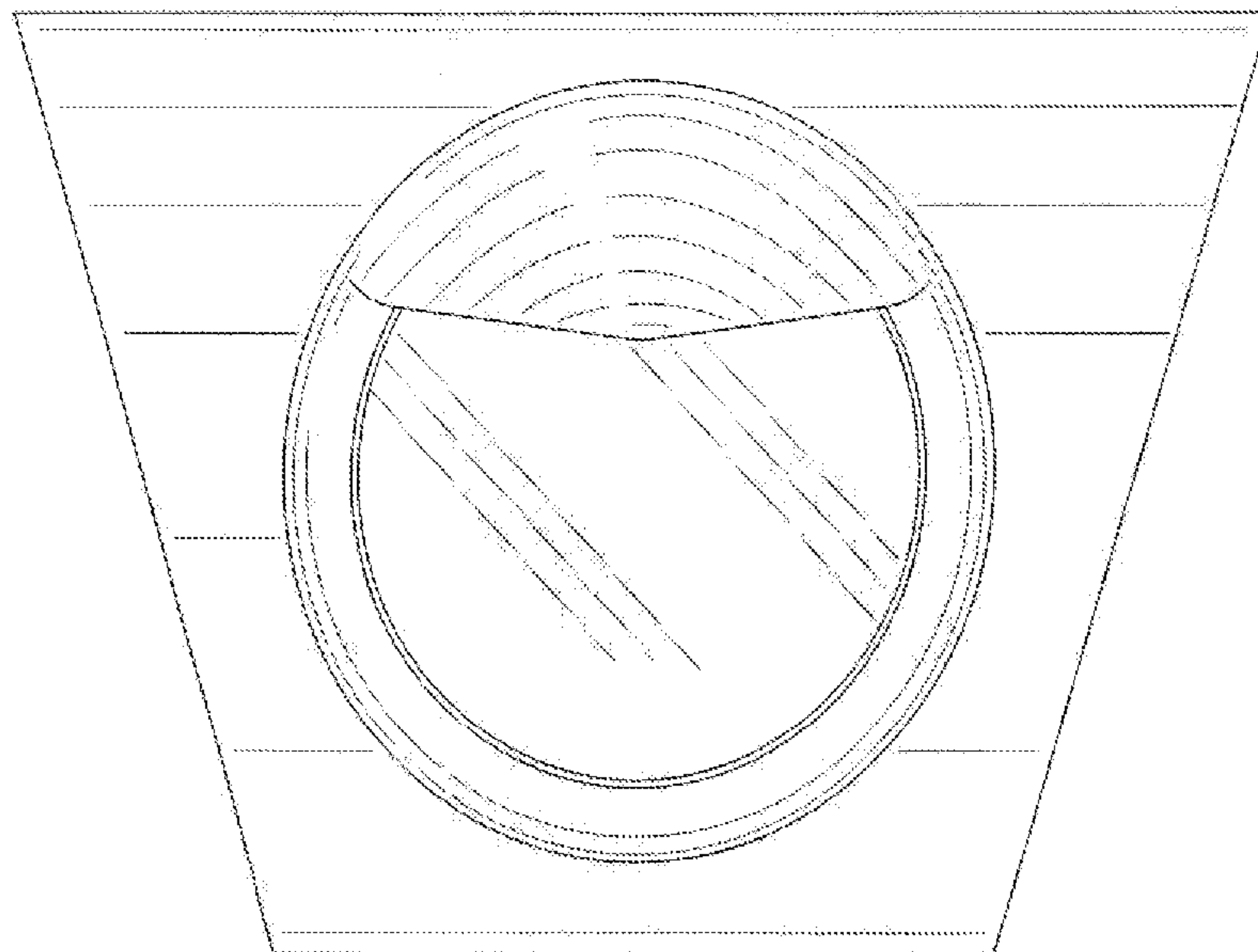


Fig. 7

Fig. 8



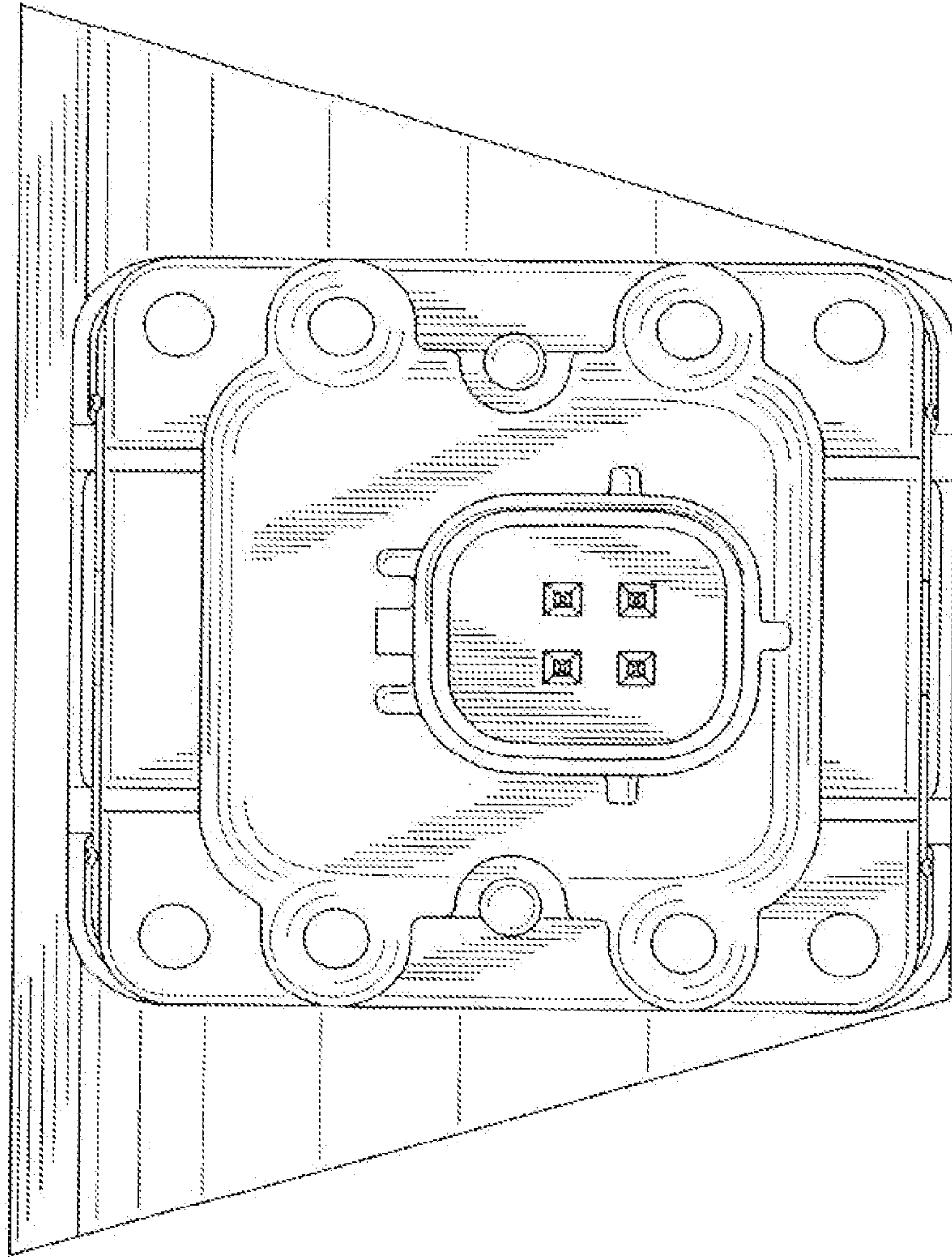


Fig. 9

Fig. 10

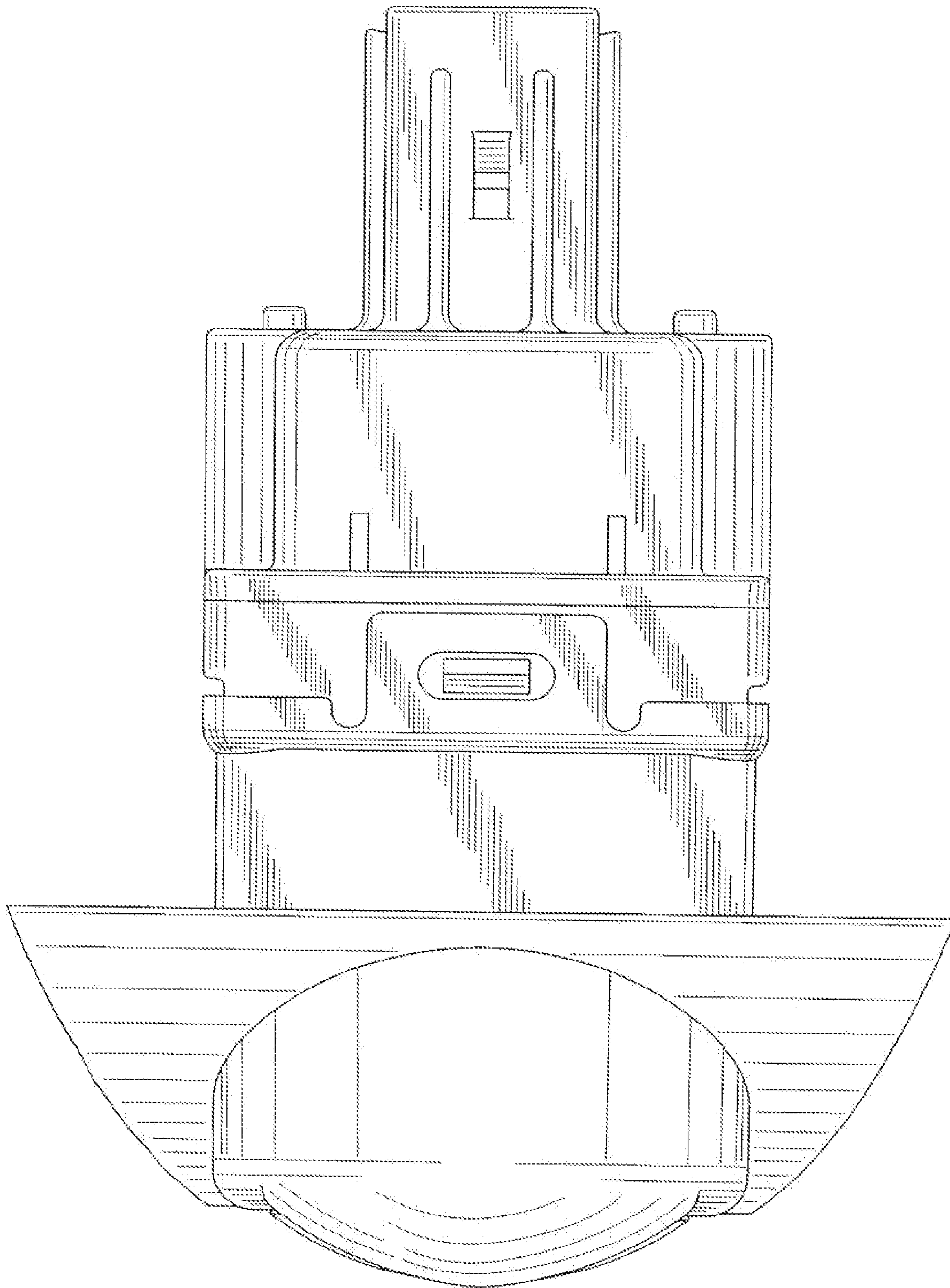
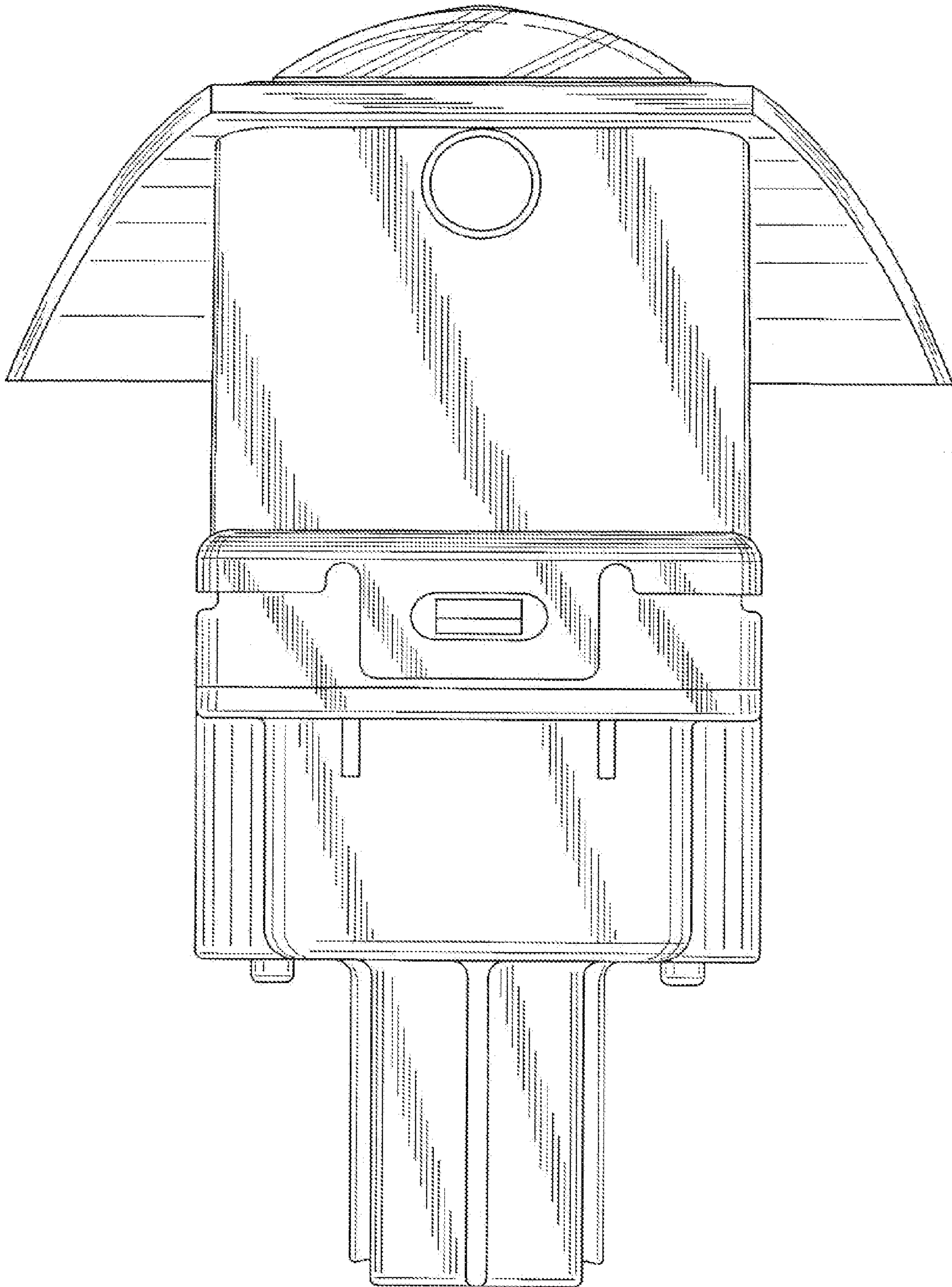


Fig. 11



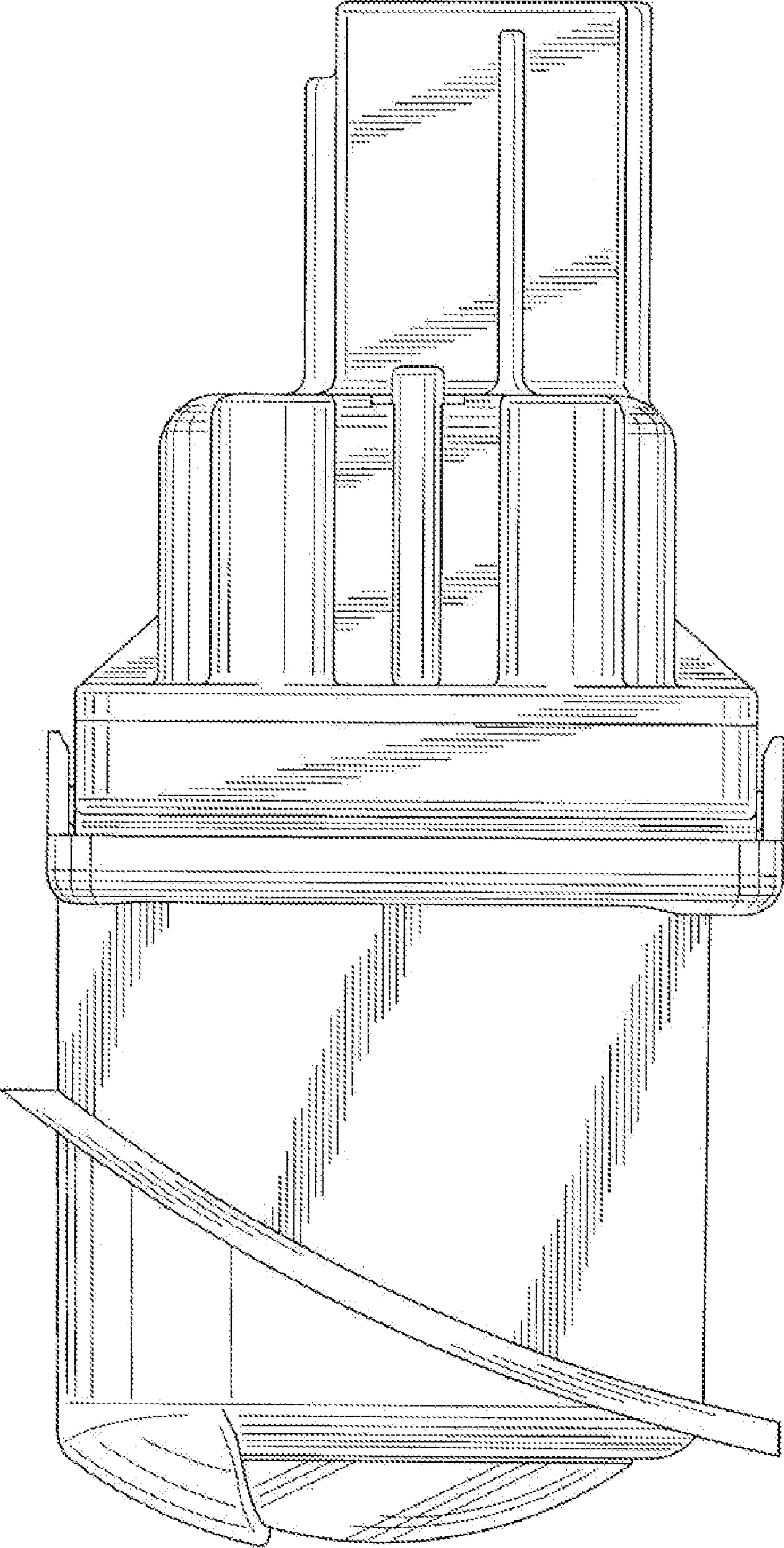


Fig.12