

US00D553658S

(12) **United States Design Patent**
Naito et al.

(10) **Patent No.:** **US D553,658 S**
(45) **Date of Patent:** **** Oct. 23, 2007**

(54) **DIGITAL CAMERA**

D535,314 S * 1/2007 Chang D16/202

(75) Inventors: **Yoshitaka Naito**, Ome (JP); **Keiji Okada**, Hachioji (JP); **Masaru Jinde**, Sagamihara (JP)

* cited by examiner

Primary Examiner—Adir Aronovich
(74) *Attorney, Agent, or Firm*—Hogan & Hartson LLP

(73) Assignee: **Olympus Imaging Corp.**, Tokyo (JP)

(57) **CLAIM**

(**) Term: **14 Years**

The ornamental design for a digital camera, as shown and described.

(21) Appl. No.: **29/245,699**

(22) Filed: **Dec. 28, 2005**

DESCRIPTION

(51) **LOC (8) Cl.** **16-01**

FIG. 1 is a front, top and right side perspective view of a digital camera, showing our new design;

(52) **U.S. Cl.** **D16/202**

FIG. 2 is a front, top and right side perspective view thereof with a lens barrel in an extended state;

(58) **Field of Classification Search** D16/200–204,
D16/208, 218, 219; 348/373–376; 358/909.1;
396/535–541

See application file for complete search history.

FIG. 3 is a rear, top and left side perspective view thereof;

FIG. 4 is a front elevational view thereof;

FIG. 5 is a rear elevational view thereof;

FIG. 6 is a top plan view thereof;

FIG. 7 is a bottom plan view thereof;

FIG. 8 is a right side elevational view thereof; and,

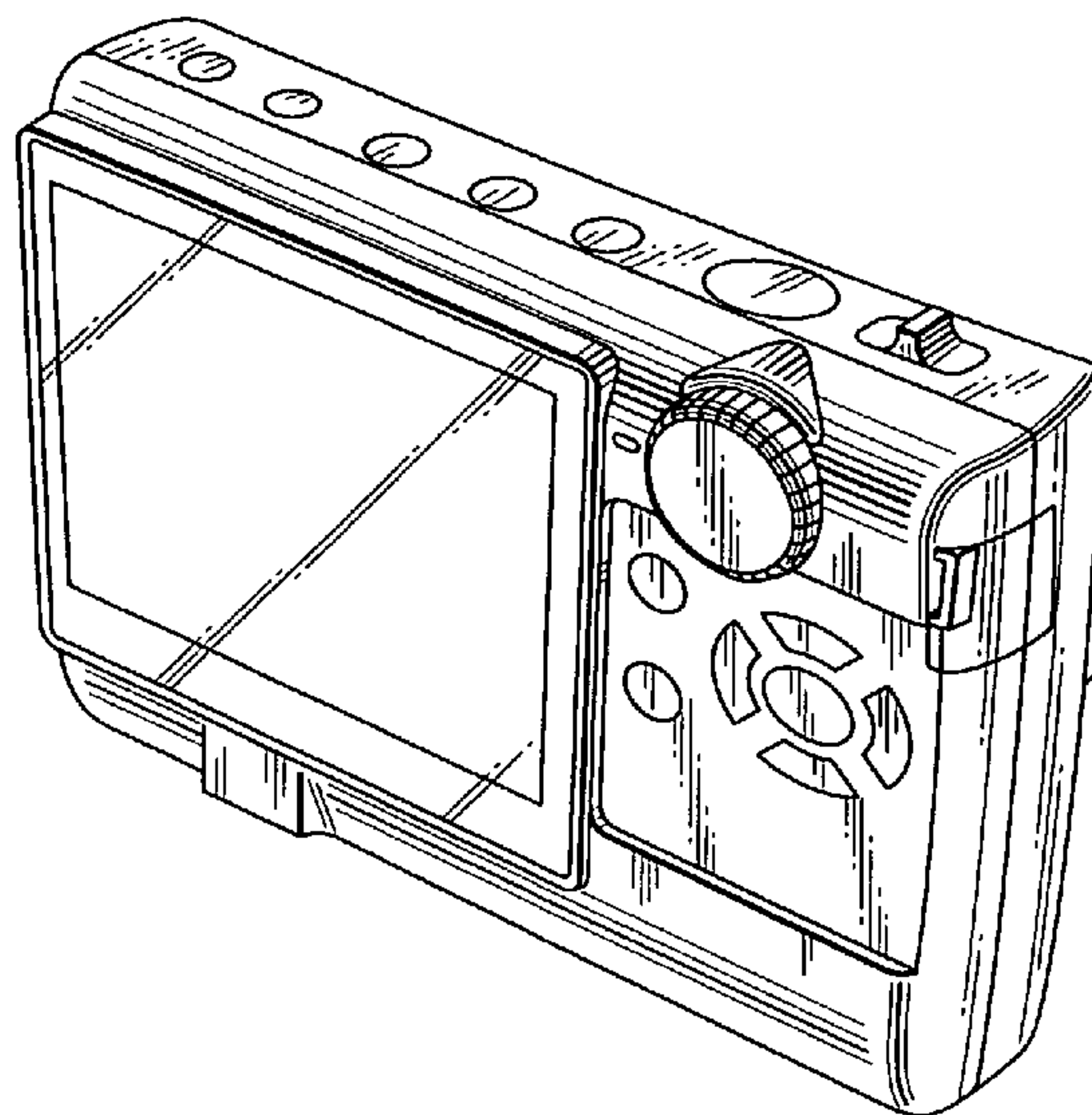
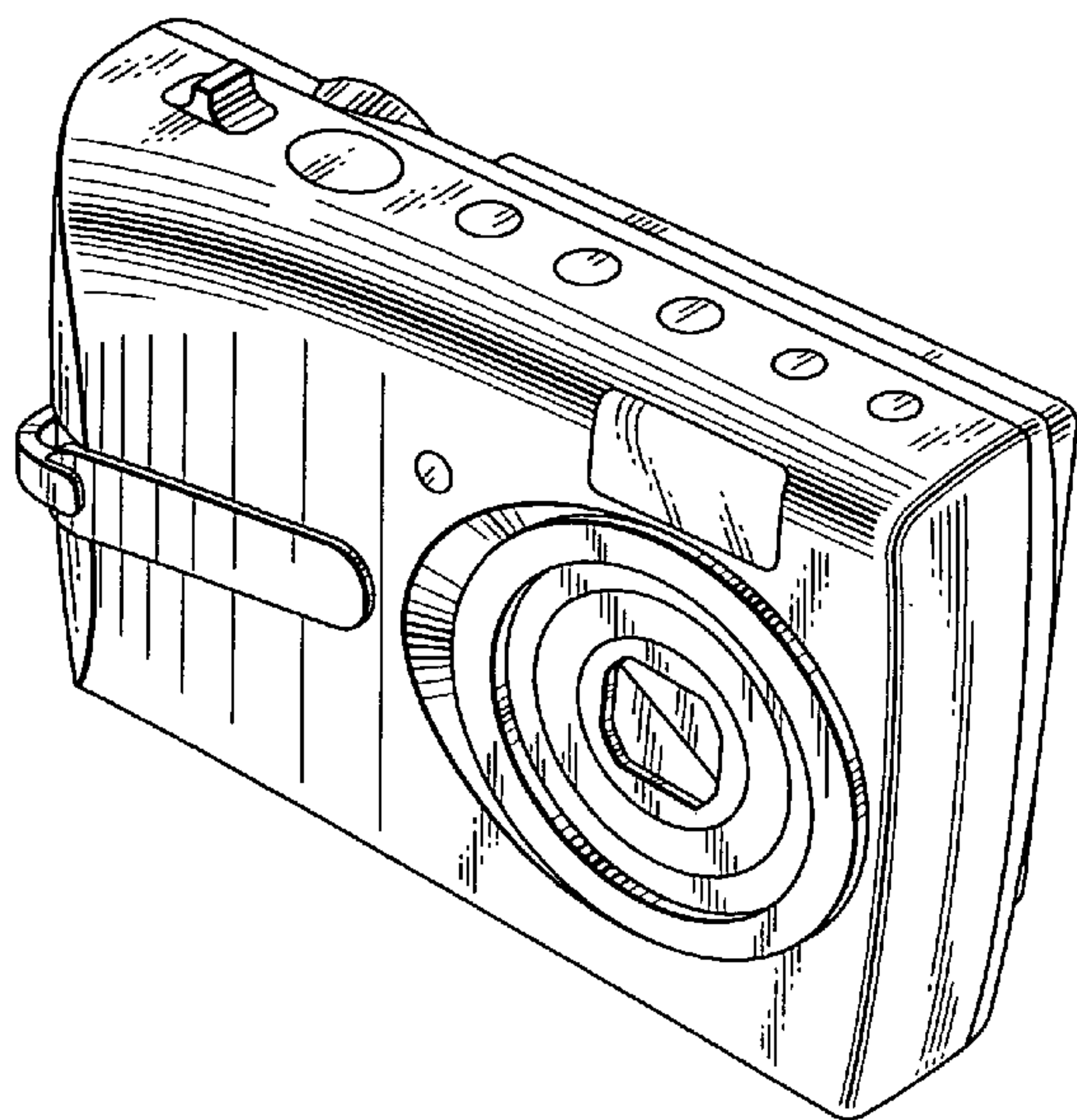
FIG. 9 is a left side elevational view thereof.

(56) **References Cited**

U.S. PATENT DOCUMENTS

D496,678 S *	9/2004	Kawase	D16/218
6,788,894 B2 *	9/2004	Suzuki et al.	348/373
D516,599 S *	3/2006	Nakamura	D16/218
D524,345 S *	7/2006	Hayamizu	D16/202
D524,838 S *	7/2006	Watanabe	D16/202
D533,574 S *	12/2006	Hamamura	D16/202

1 Claim, 4 Drawing Sheets



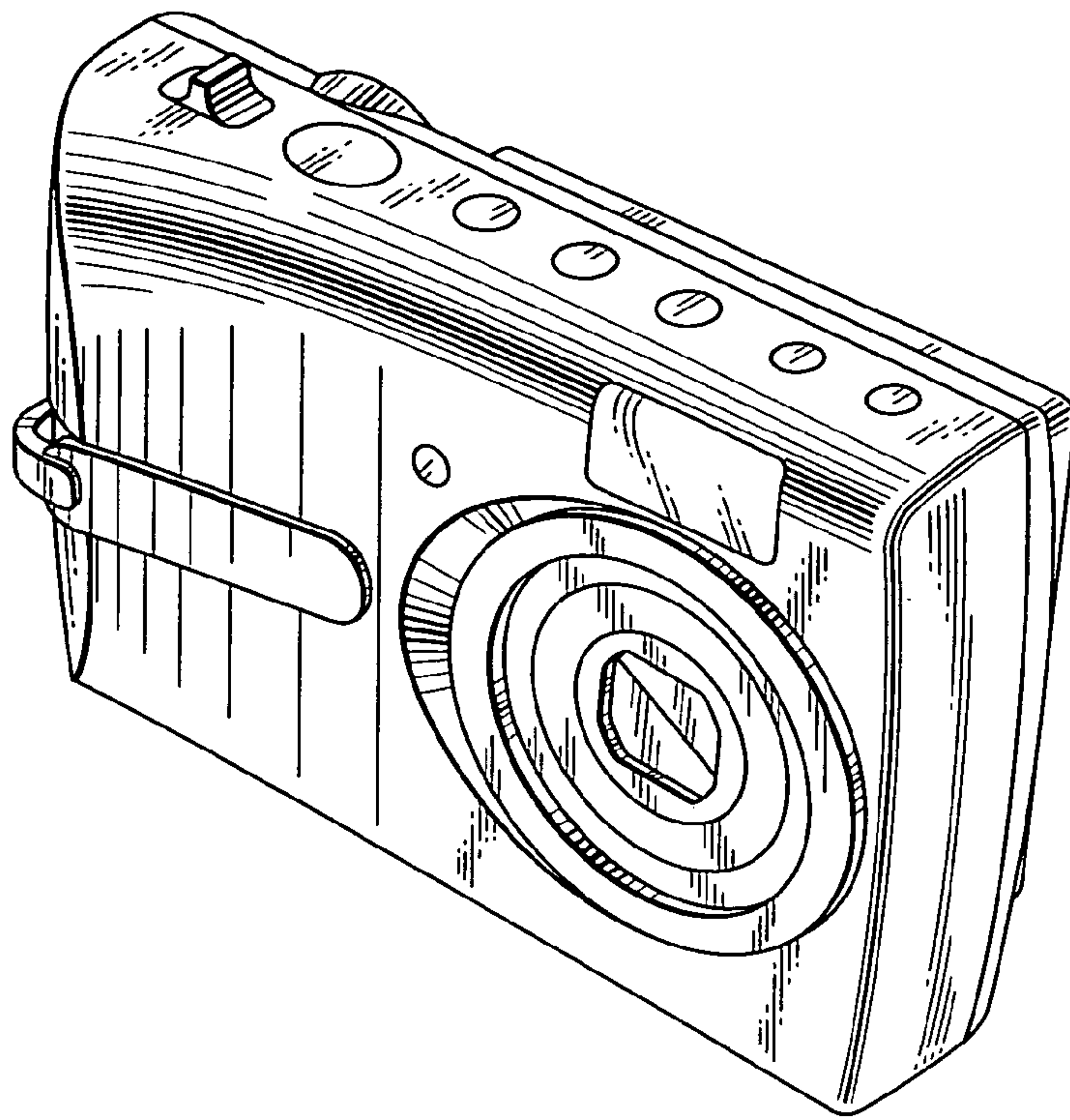


FIG. 1

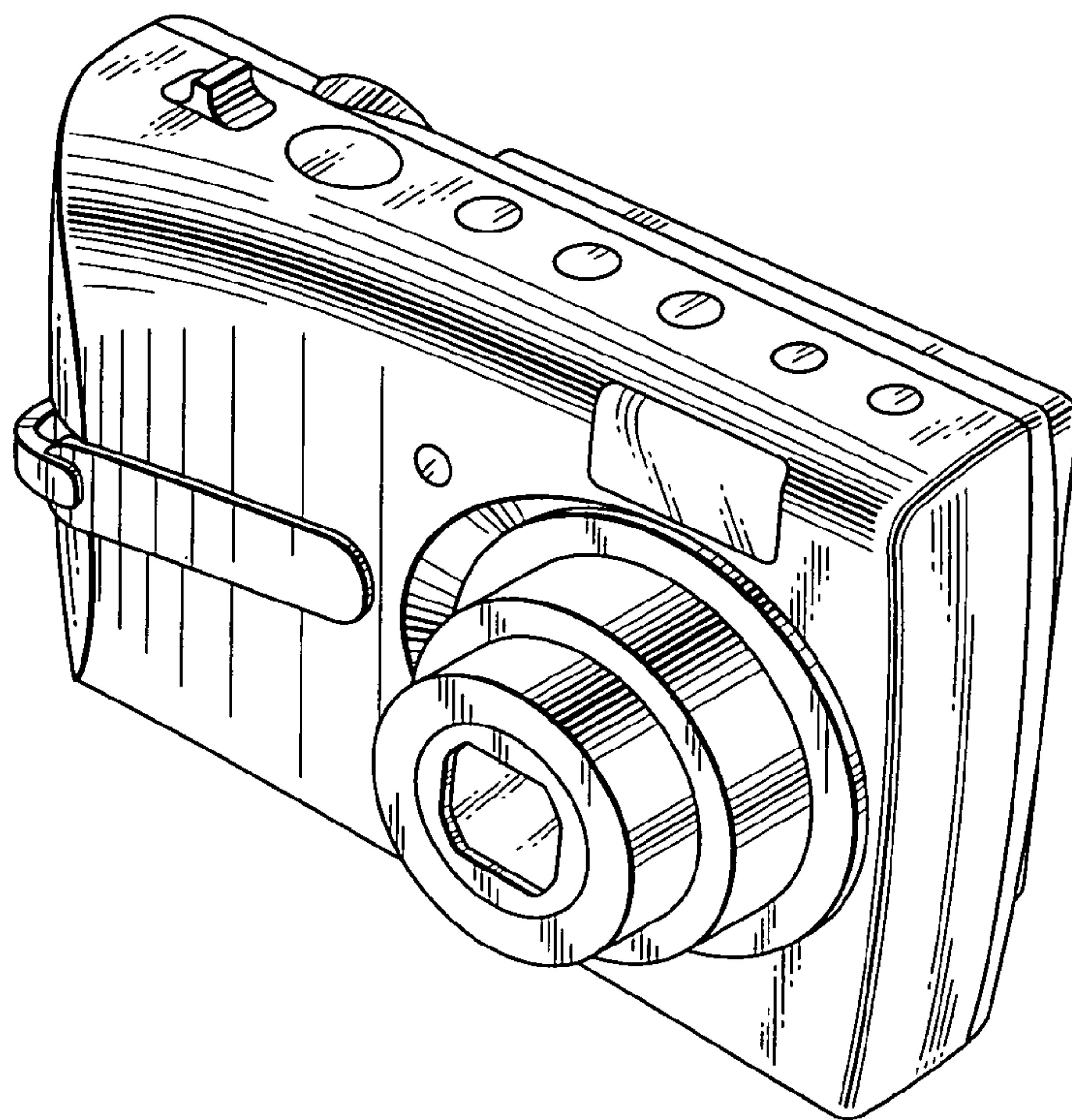


FIG. 2

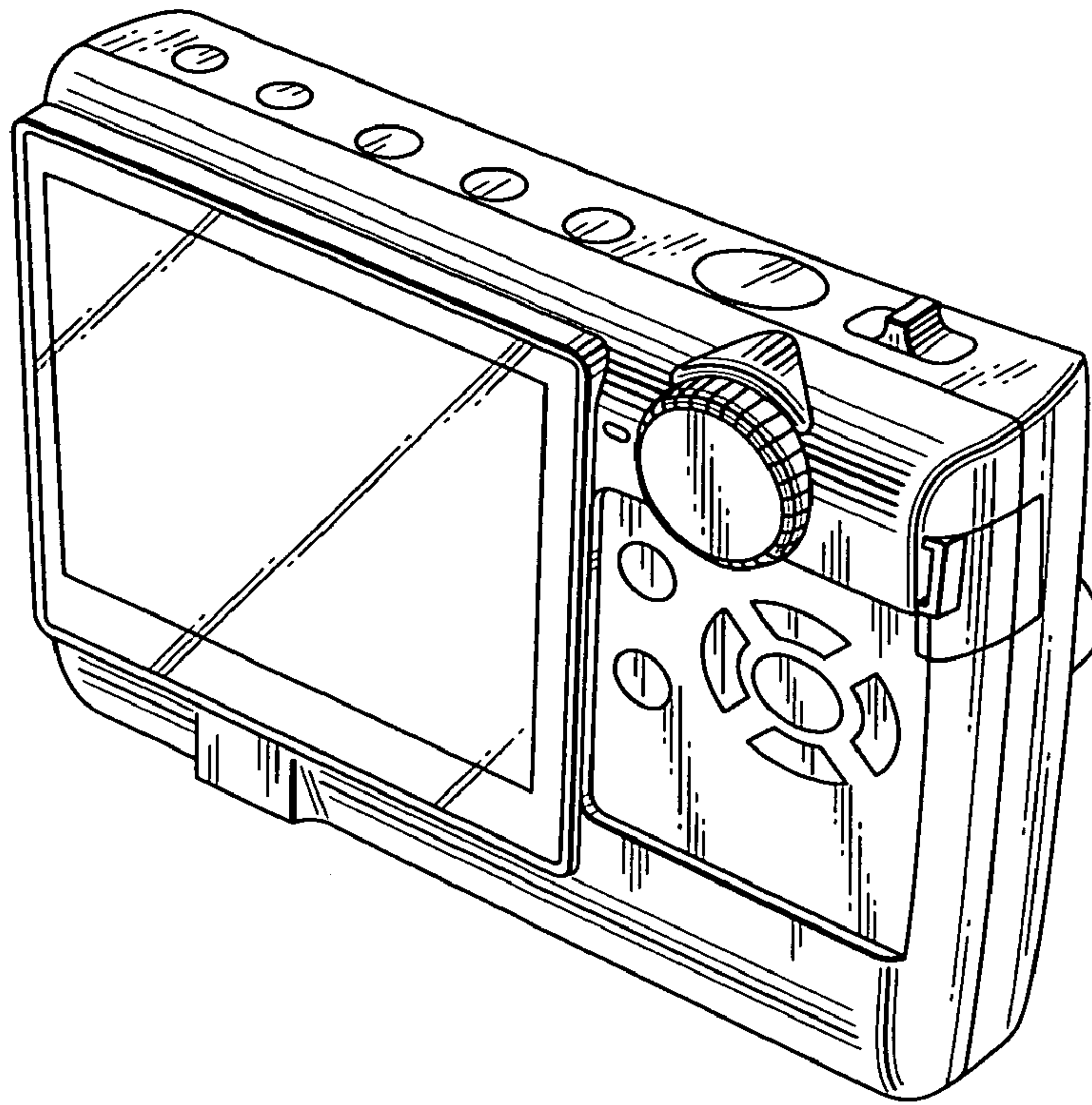


FIG. 3

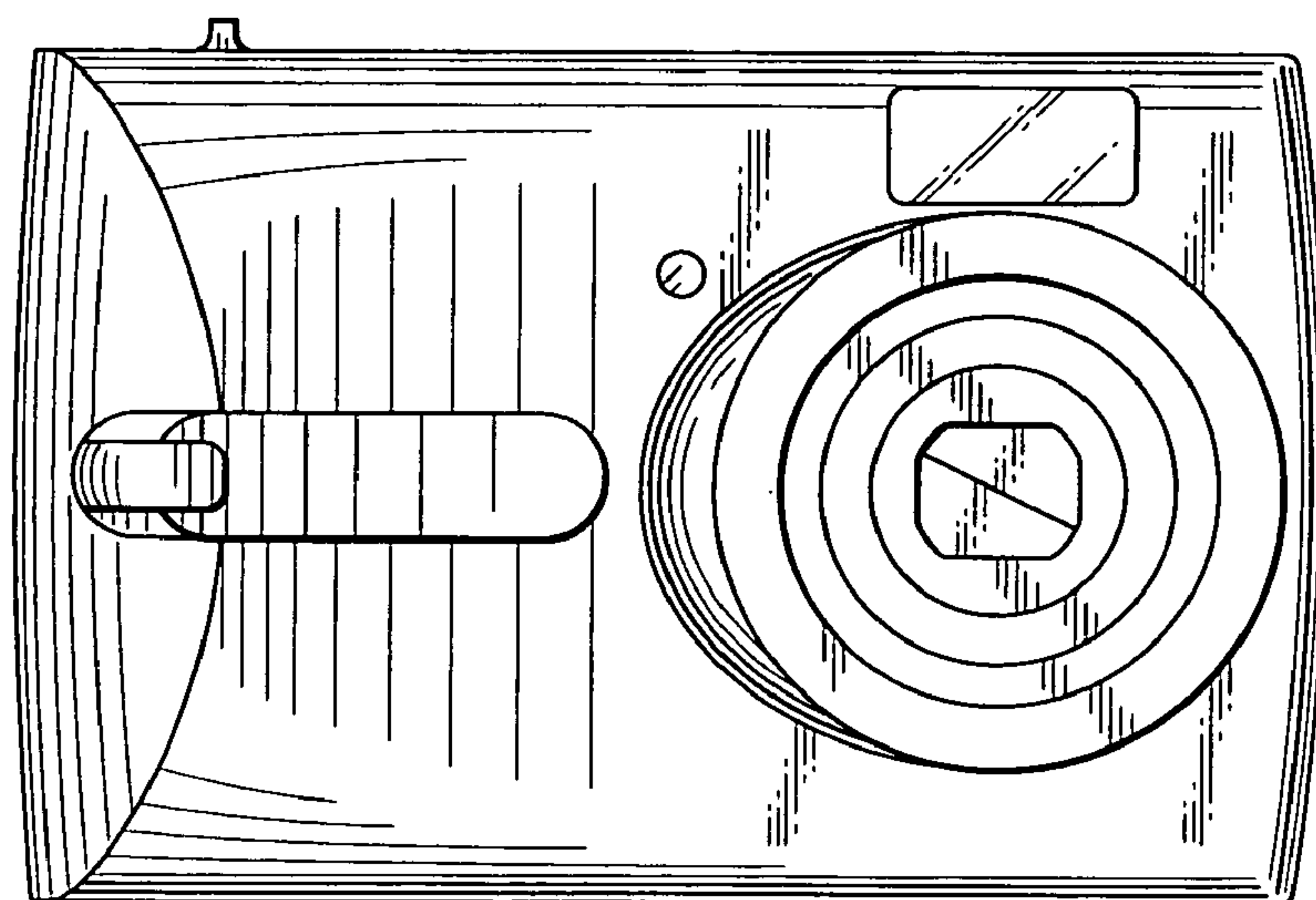


FIG. 4

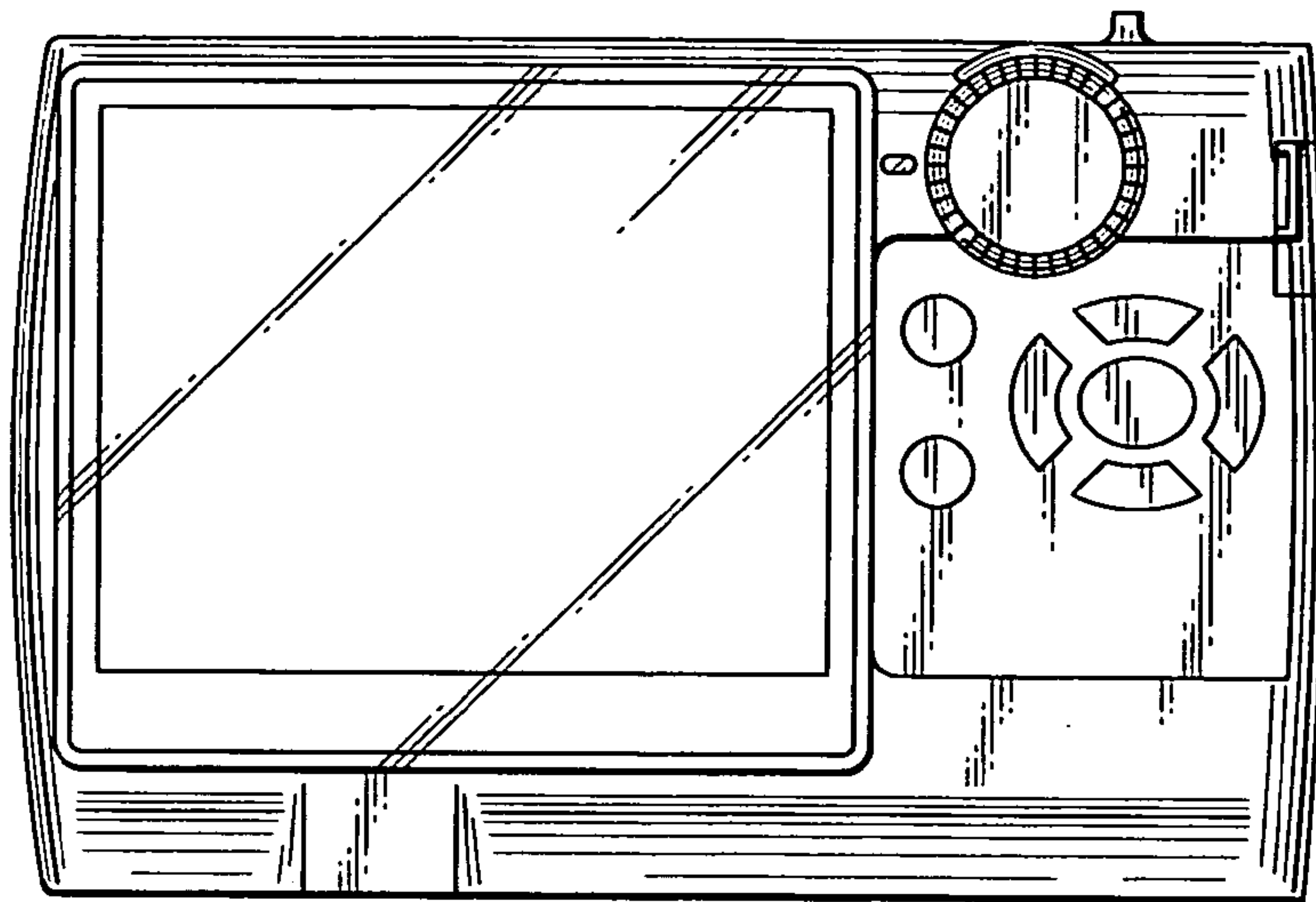


FIG. 5

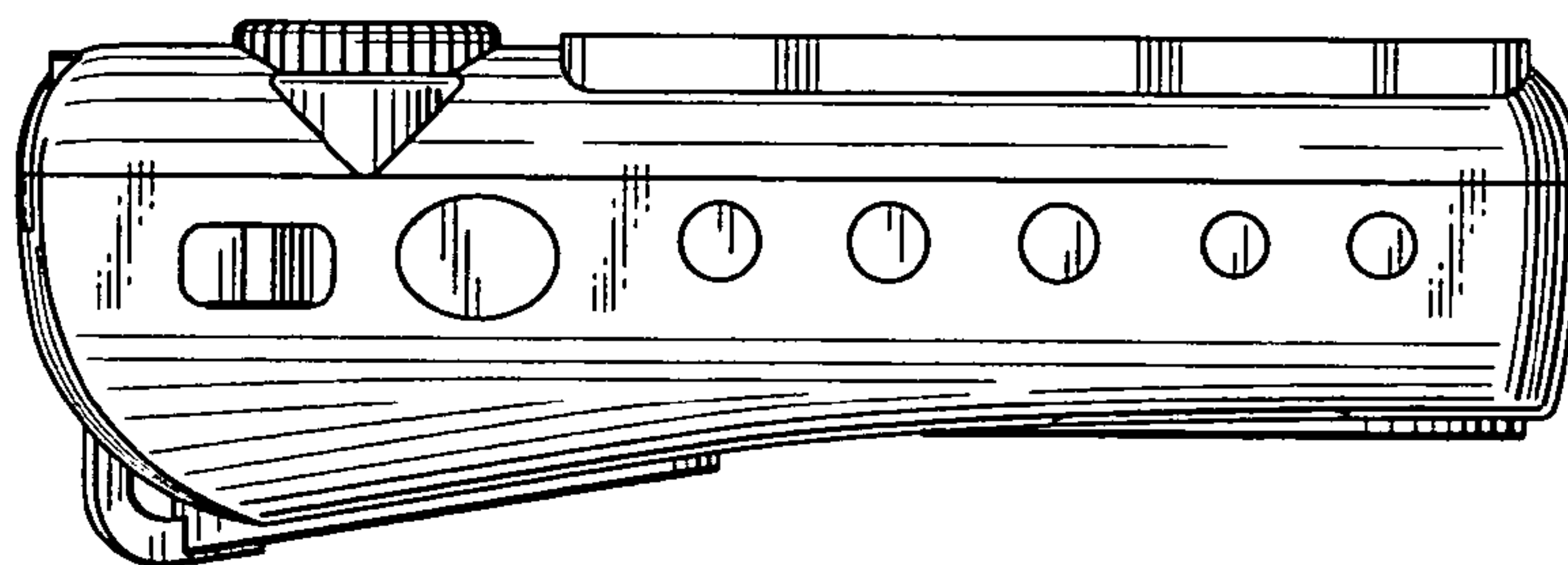


FIG. 6

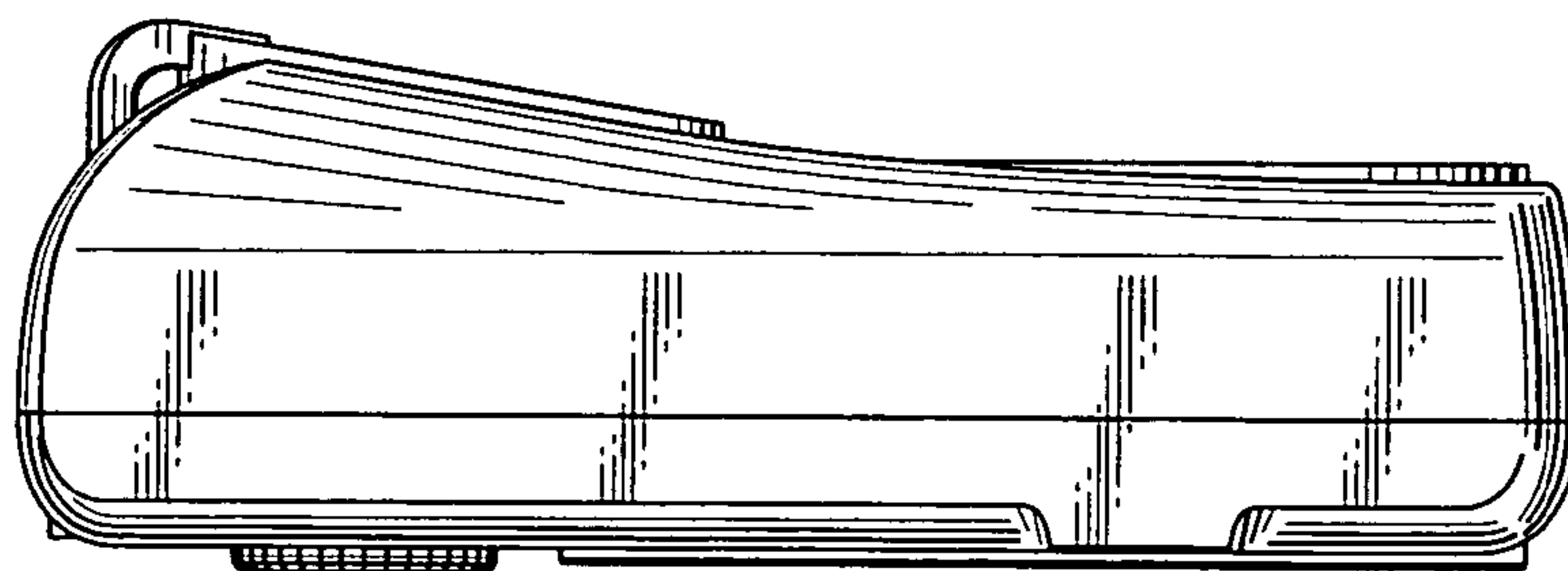


FIG. 7

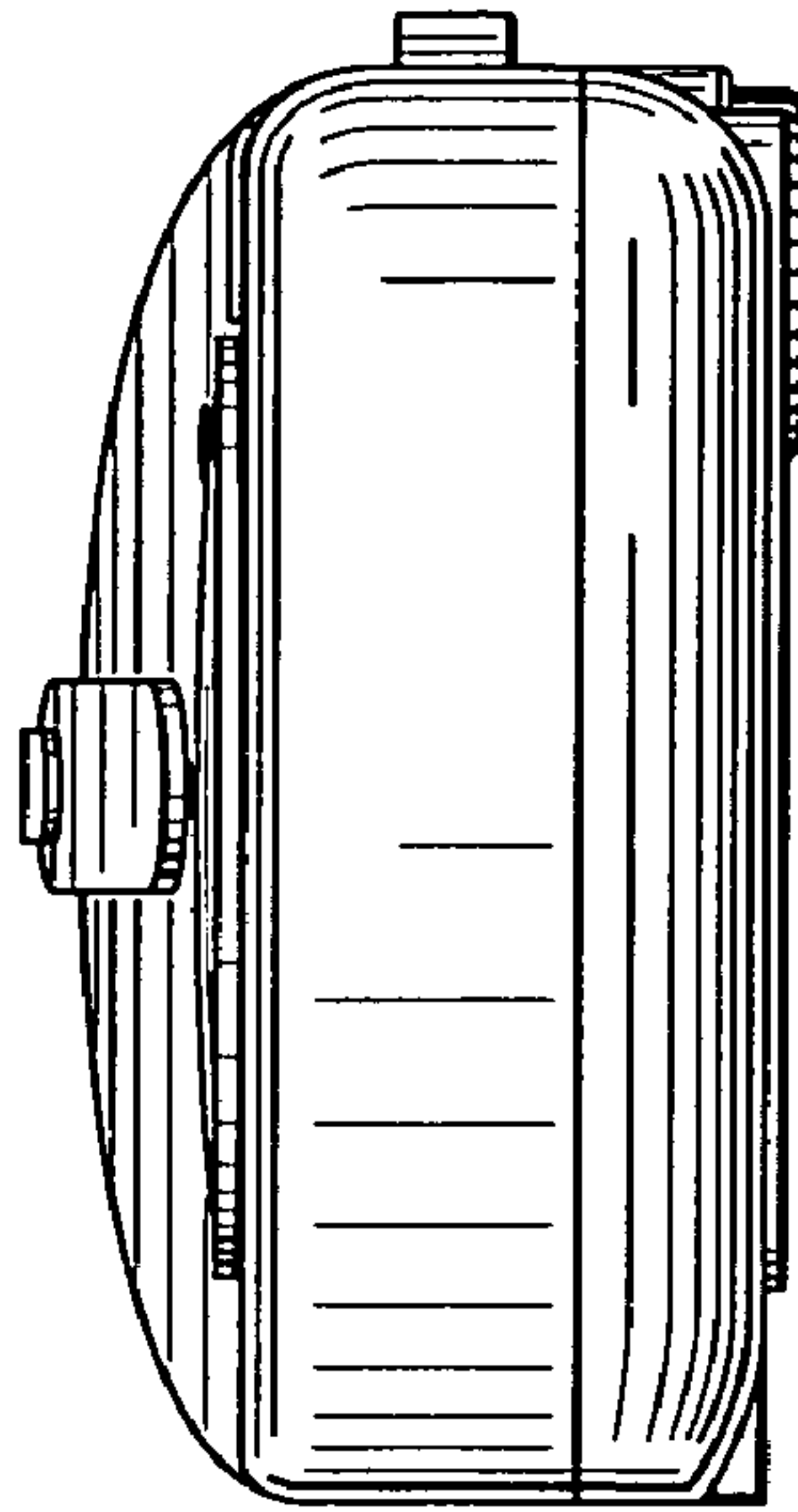


FIG. 8

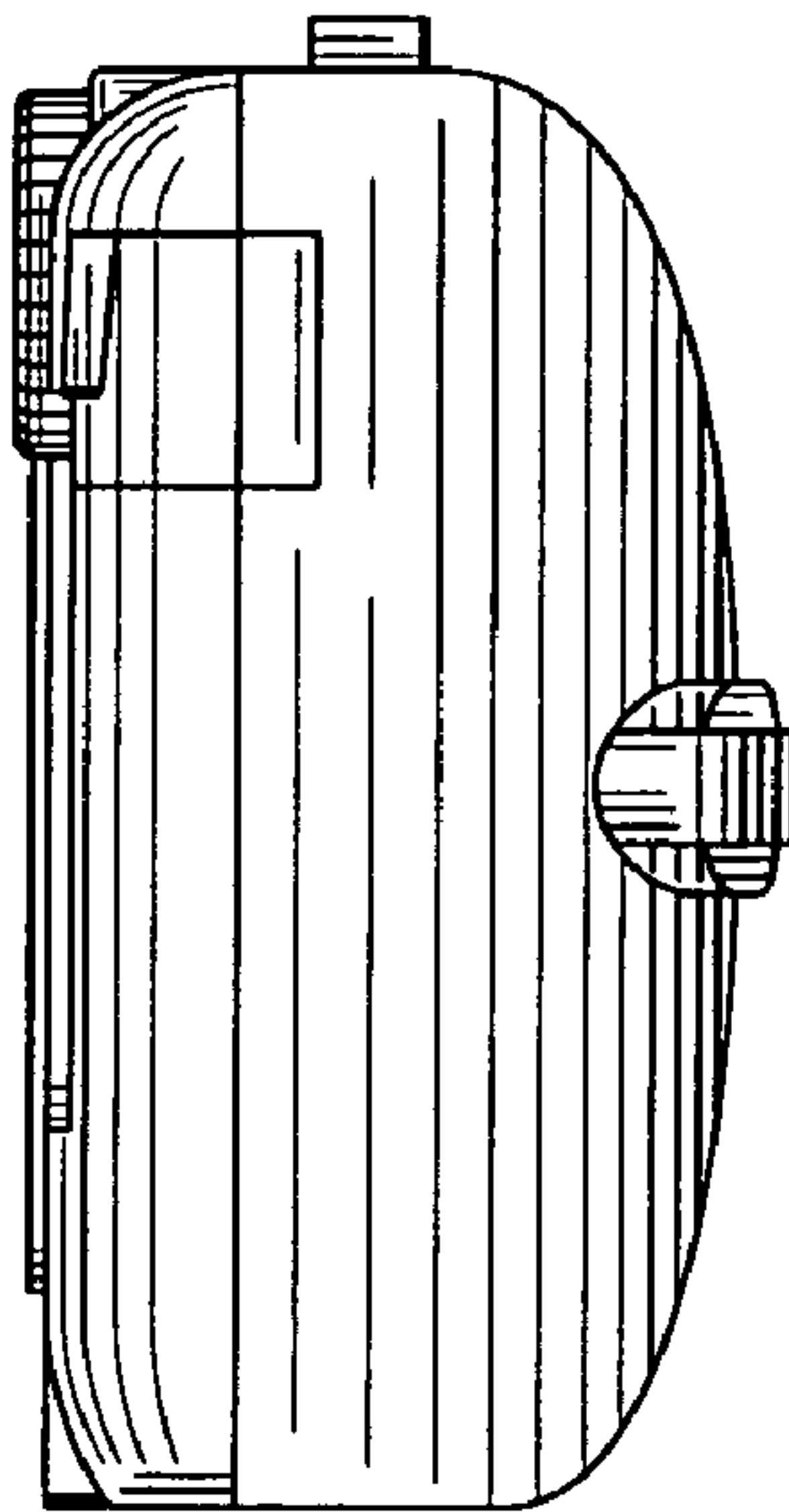


FIG. 9