



US00D553657S

(12) **United States Design Patent**  
**Bai**

(10) **Patent No.:** **US D553,657 S**

(45) **Date of Patent:** **\*\* Oct. 23, 2007**

(54) **DIGITAL CAMERA**

(75) Inventor: **Sung Kyun Bai**, Kyungki-Do (KR)

(73) Assignee: **Samsung Electronics Co., Ltd.** (KR)

(\*\*) Term: **14 Years**

(21) Appl. No.: **29/244,749**

(22) Filed: **Dec. 14, 2005**

(30) **Foreign Application Priority Data**

Sep. 2, 2005 (KR) ..... 30-2005-0029707

(51) **LOC (8) Cl.** ..... **16-01**

(52) **U.S. Cl.** ..... **D16/202; D16/200; D16/218**

(58) **Field of Classification Search** ..... D16/200–206,  
D16/208–209, 216–218; 348/373–376, 231.6,  
348/231.7; 358/909, 909.1; 396/6, 60, 211,  
396/535–541

See application file for complete search history.

(56) **References Cited**

**U.S. PATENT DOCUMENTS**

D407,098	S	*	3/1999	Goto et al.	.....	D16/202
D449,628	S	*	10/2001	Obata et al.	.....	D16/202
D456,436	S	*	4/2002	Omino	.....	D16/202
6,665,494	B1	*	12/2003	Lai et al.	.....	396/535
D487,104	S	*	2/2004	Obata	.....	D16/202
D495,351	S	*	8/2004	Yi	.....	D16/202
2005/0012852	A1	*	1/2005	Gann et al.	.....	348/373
2005/0068460	A1	*	3/2005	Lin	.....	348/374

\* cited by examiner

*Primary Examiner*—Ian Simmons

*Assistant Examiner*—Wan Laymon

(74) *Attorney, Agent, or Firm*—Irving Keschner

(57) **CLAIM**

The ornamental design for a digital camera, as shown and described.

**DESCRIPTION**

FIG. 1 is a perspective view of the ornamental design of the present invention;

FIG. 2 is a front elevational view of the ornamental design of the present invention;

FIG. 3 is a rear elevational view of the ornamental design of the present invention;

FIG. 4 is a left side elevational view of the ornamental design of the present invention;

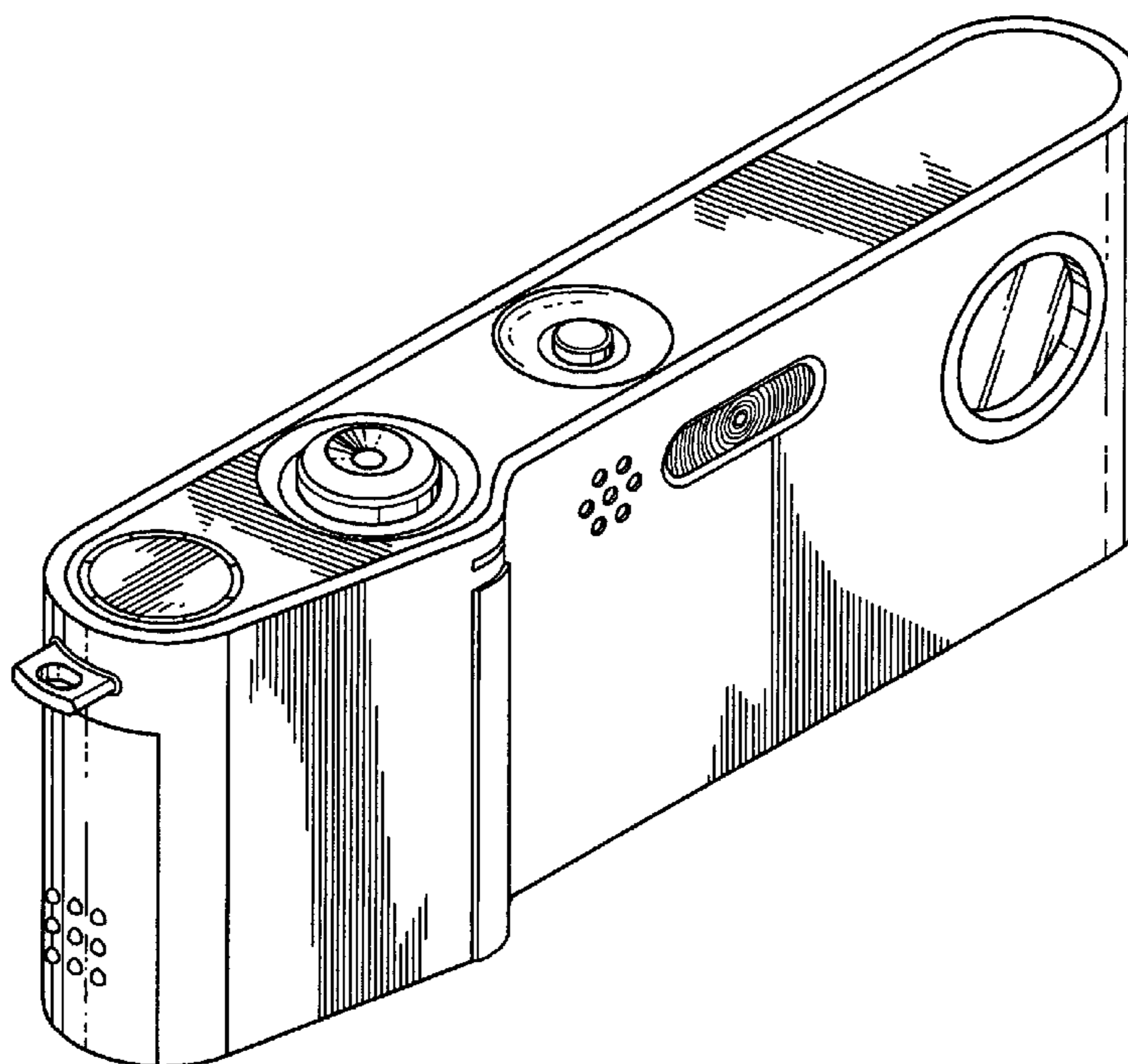
FIG. 5 is a right side elevational view of the ornamental design of the present invention;

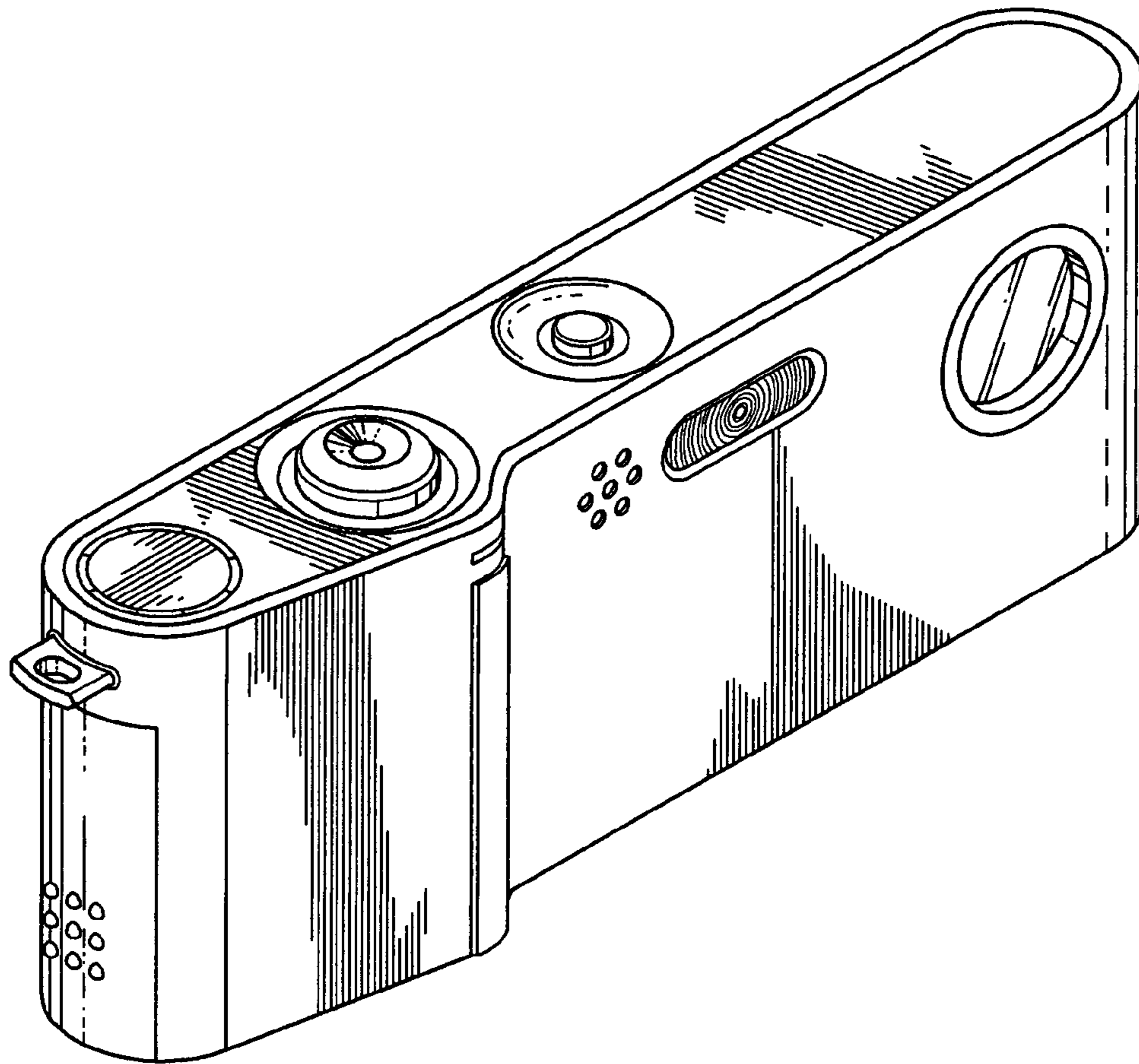
FIG. 6 is a top plan view of the ornamental design of the present invention; and,

FIG. 7 is a bottom view of the ornamental design of the present invention.

The portions of the digital camera in broken lines are shown for illustrative purposes only and form no part of the invention.

**1 Claim, 3 Drawing Sheets**





*FIG. 1*

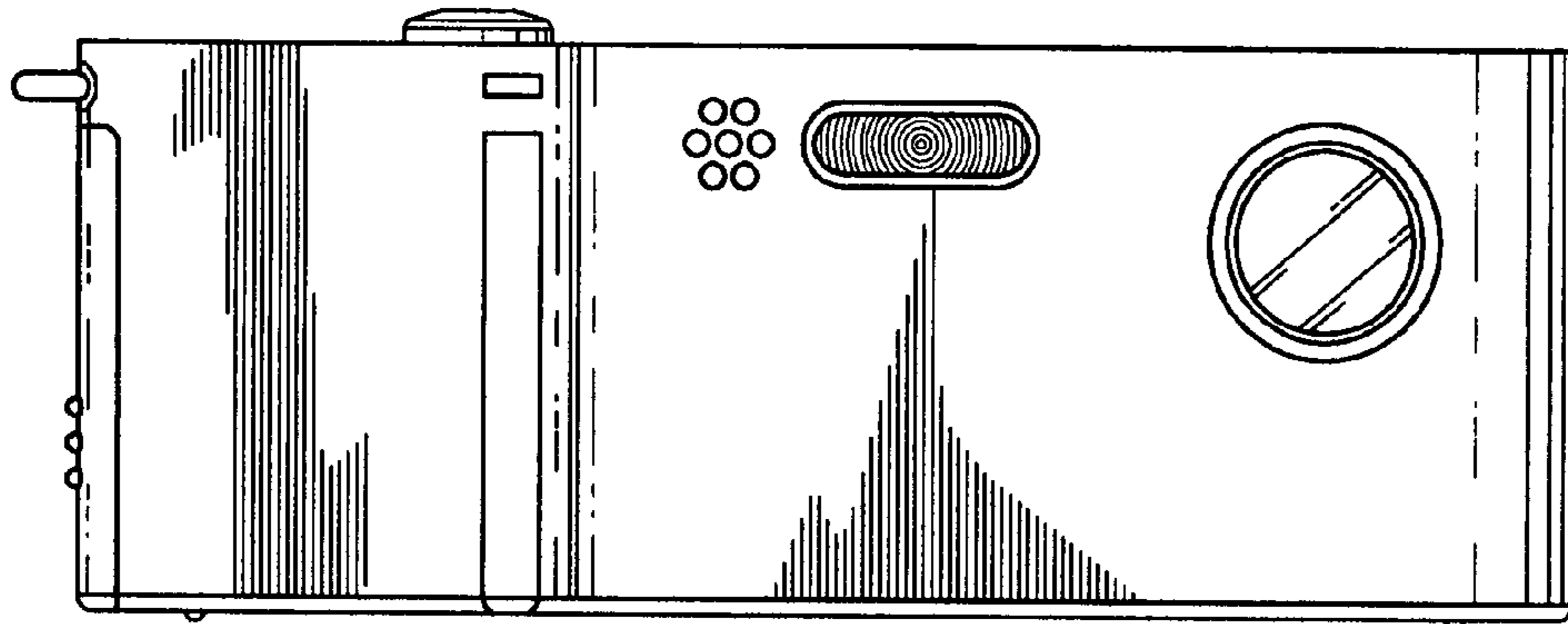


FIG. 2

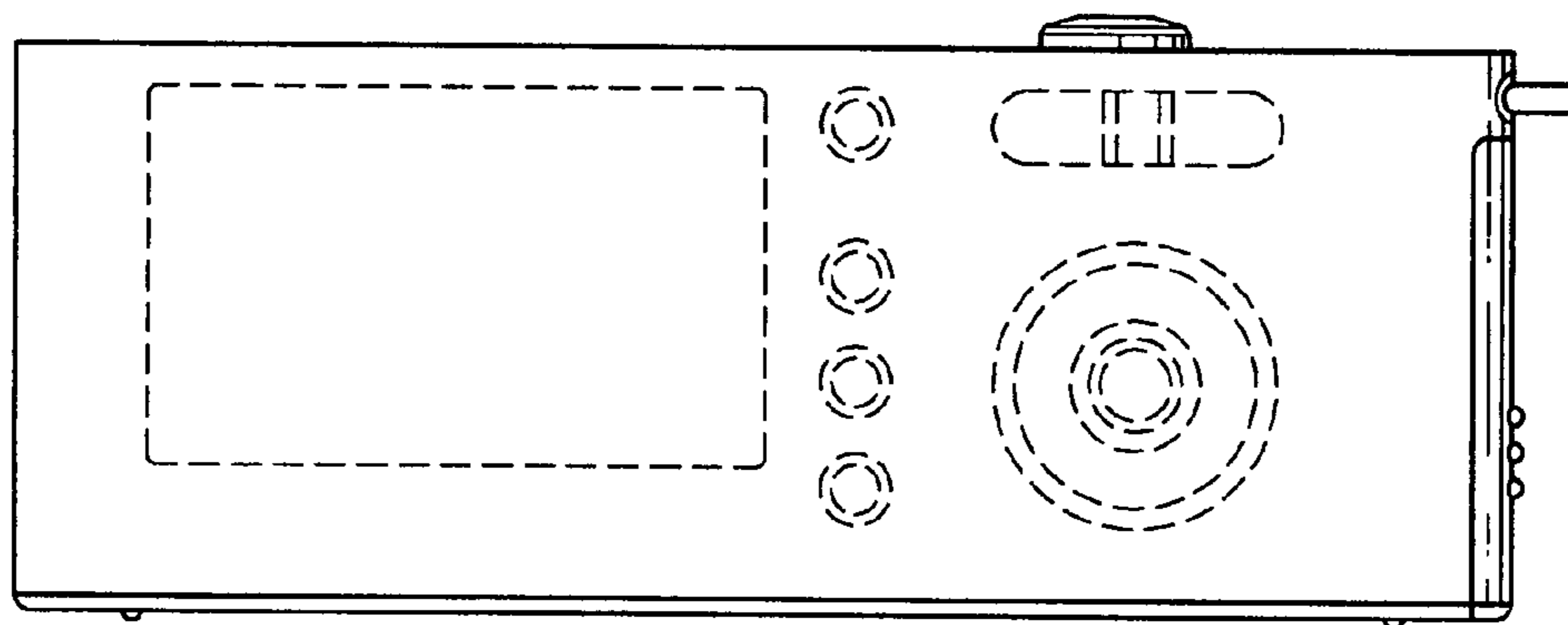


FIG. 3

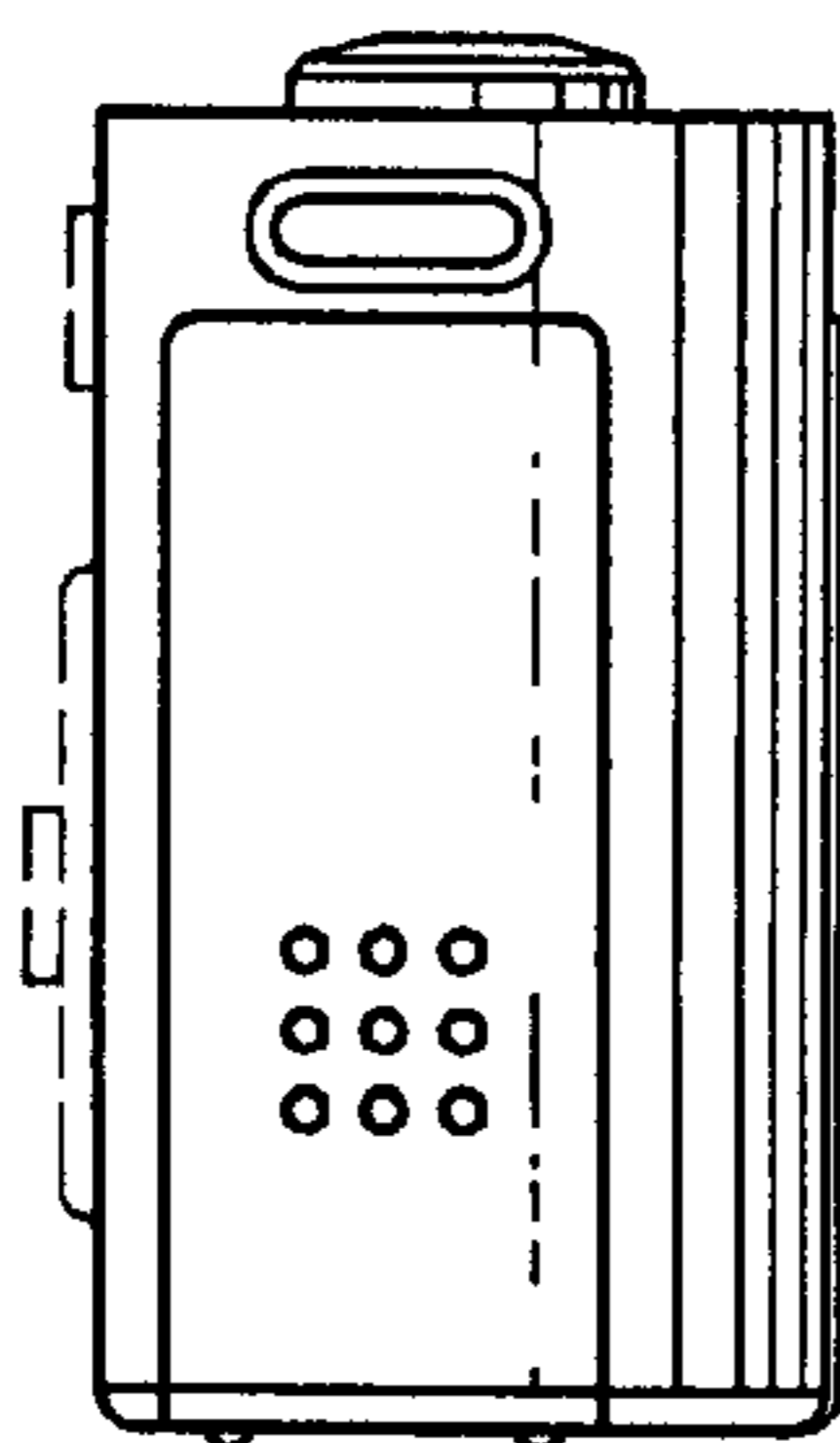
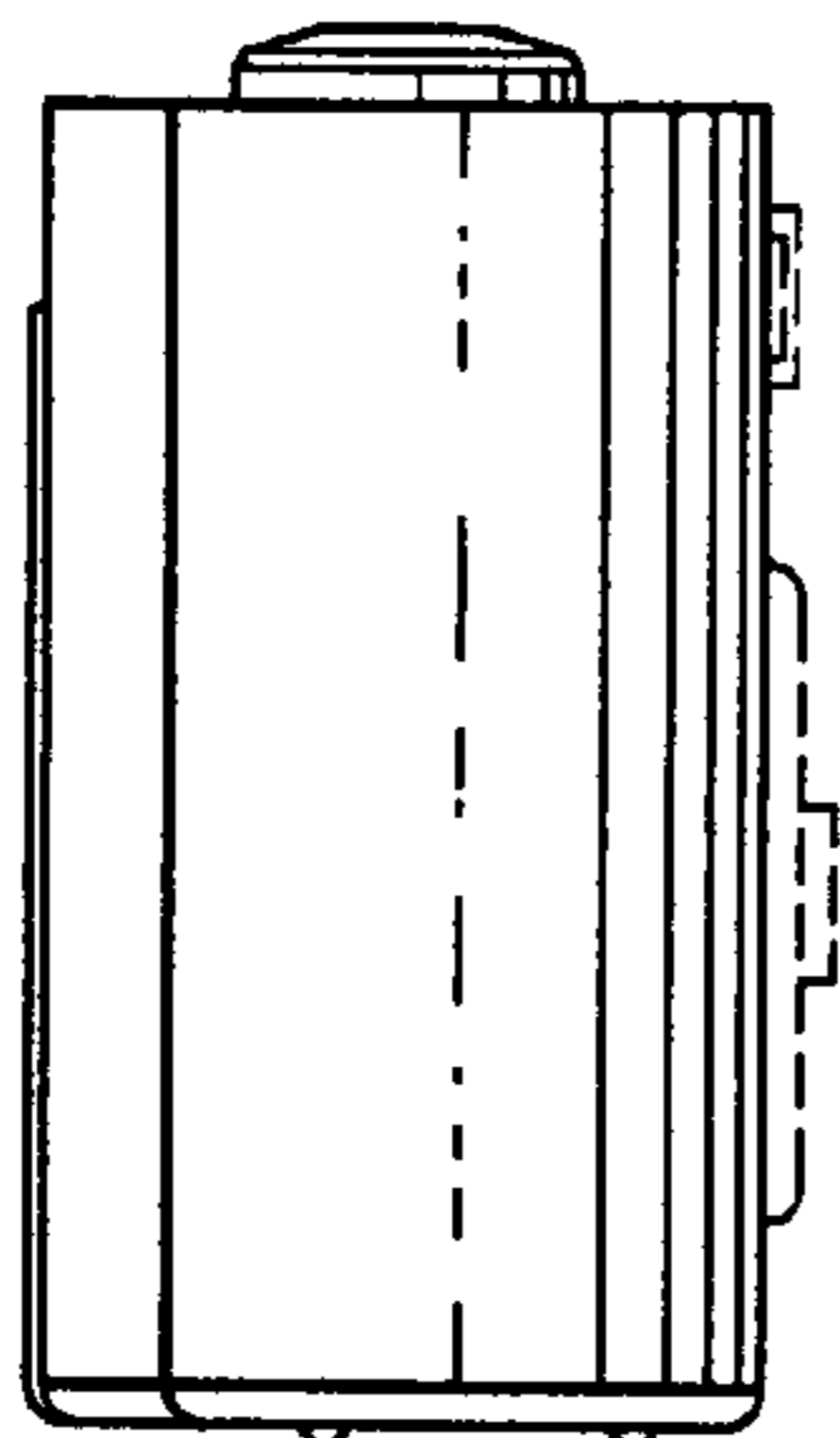
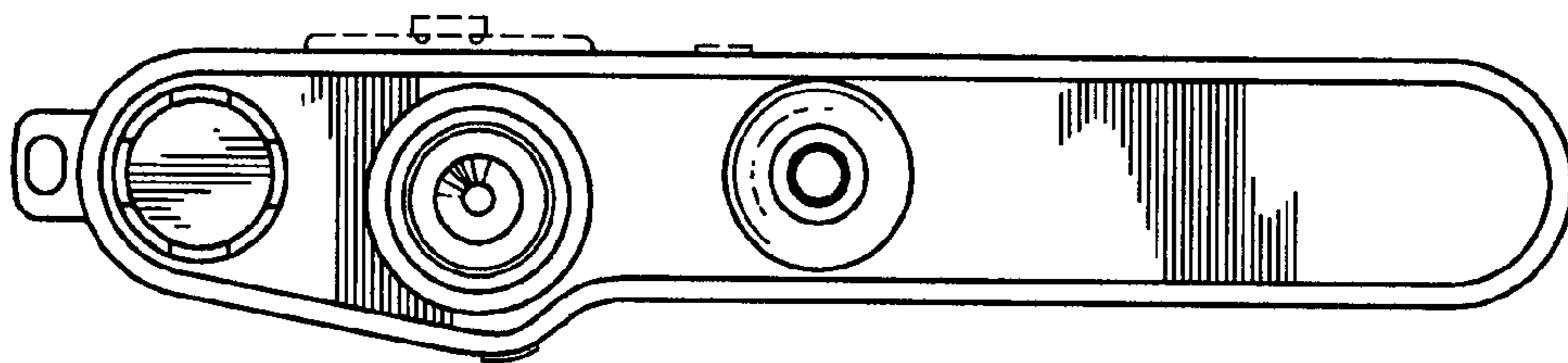


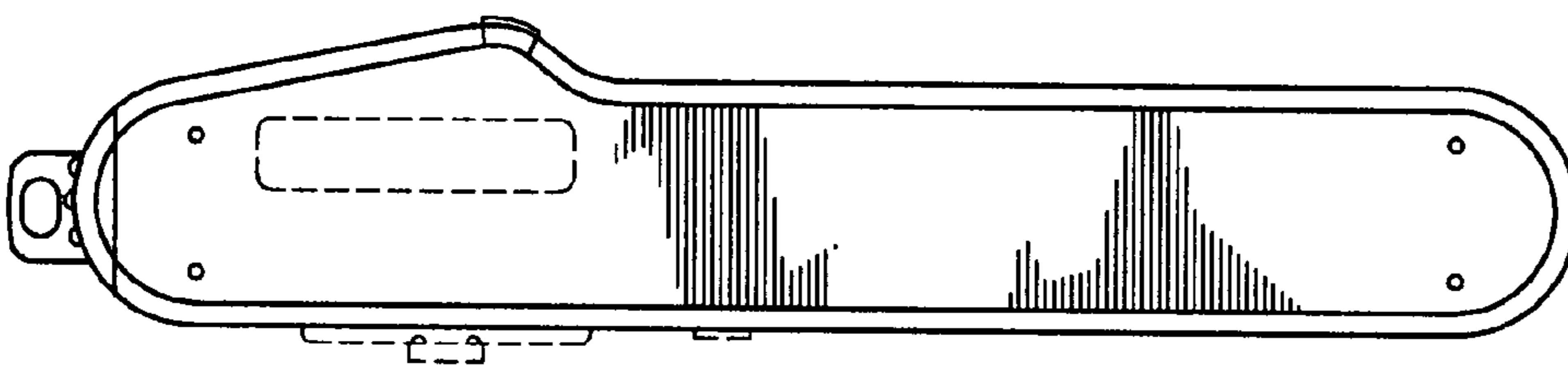
FIG. 4



*FIG. 5*



*FIG. 6*



*FIG. 7*