



US00D553656S

(12) **United States Design Patent**  
**Reeves et al.**

(10) **Patent No.: US D553,656 S**

(45) **Date of Patent: \*\* Oct. 23, 2007**

(54) **COLD PLATE HEAT SINK**

(75) Inventors: **Matthew A. Reeves**, Oceanside, CA  
(US); **Ralph Remsburg**, San Diego,  
CA (US)

(73) Assignee: **Amulaire Thermal Technology, Inc.**,  
San Diego, CA (US)

(\*\*) Term: **14 Years**

(21) Appl. No.: **29/272,530**

(22) Filed: **Feb. 9, 2007**

(51) **LOC (8) Cl. .... 15-99**

(52) **U.S. Cl. .... D15/199**

(58) **Field of Classification Search** ..... D15/199;  
165/80.4, 104.33, 109.1; 361/687, 688, 701-704,  
361/709, 712, 714, 727  
See application file for complete search history.

(56) **References Cited**

**U.S. PATENT DOCUMENTS**

4,998,181 A \* 3/1991 Haws et al. .... 361/702  
5,014,117 A \* 5/1991 Horvath et al. .... 361/704  
5,079,619 A \* 1/1992 Davidson ..... 361/701  
5,930,135 A \* 7/1999 Janko ..... 165/104.33

6,253,835 B1 \* 7/2001 Chu et al. .... 165/104.33  
6,687,126 B2 \* 2/2004 Patel et al. .... 361/702  
6,829,145 B1 \* 12/2004 Corrado et al. .... 361/704  
7,147,041 B2 \* 12/2006 Mitchell et al. .... 165/80.3  
2003/0230400 A1 \* 12/2003 McCordic et al. .... 165/104.33  
2005/0011635 A1 \* 1/2005 Liu et al. .... 165/109.1  
2005/0082037 A1 \* 4/2005 Thayer et al. .... 165/80.4  
2006/0056156 A1 \* 3/2006 Long et al. .... 361/704  
2006/0185823 A1 \* 8/2006 Thayer et al. .... 165/80.4

\* cited by examiner

*Primary Examiner*—Antoine D. Davis

*Assistant Examiner*—Patricia Palasik

(57) **CLAIM**

The ornamental design for a cold plate heat sink, as shown.

**DESCRIPTION**

FIG. 1 is a front, top, and right side perspective view of a cold plate heat sink showing our new design;

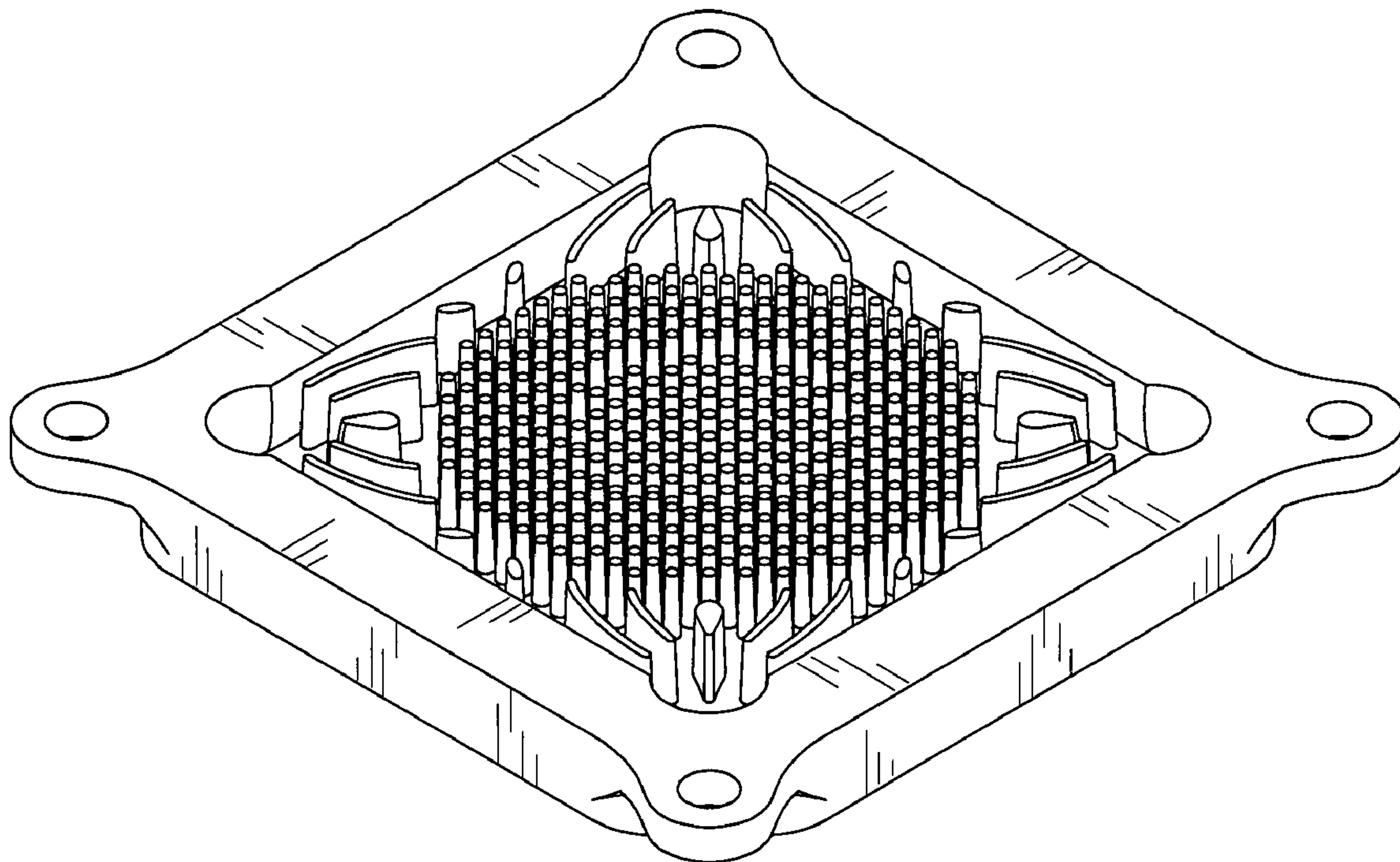
FIG. 2 is a top plan view thereof;

FIG. 3 is right side elevational view thereof;

FIG. 4 is a left side elevational view thereof; and,

FIG. 5 is a bottom plan view thereof.

**1 Claim, 5 Drawing Sheets**



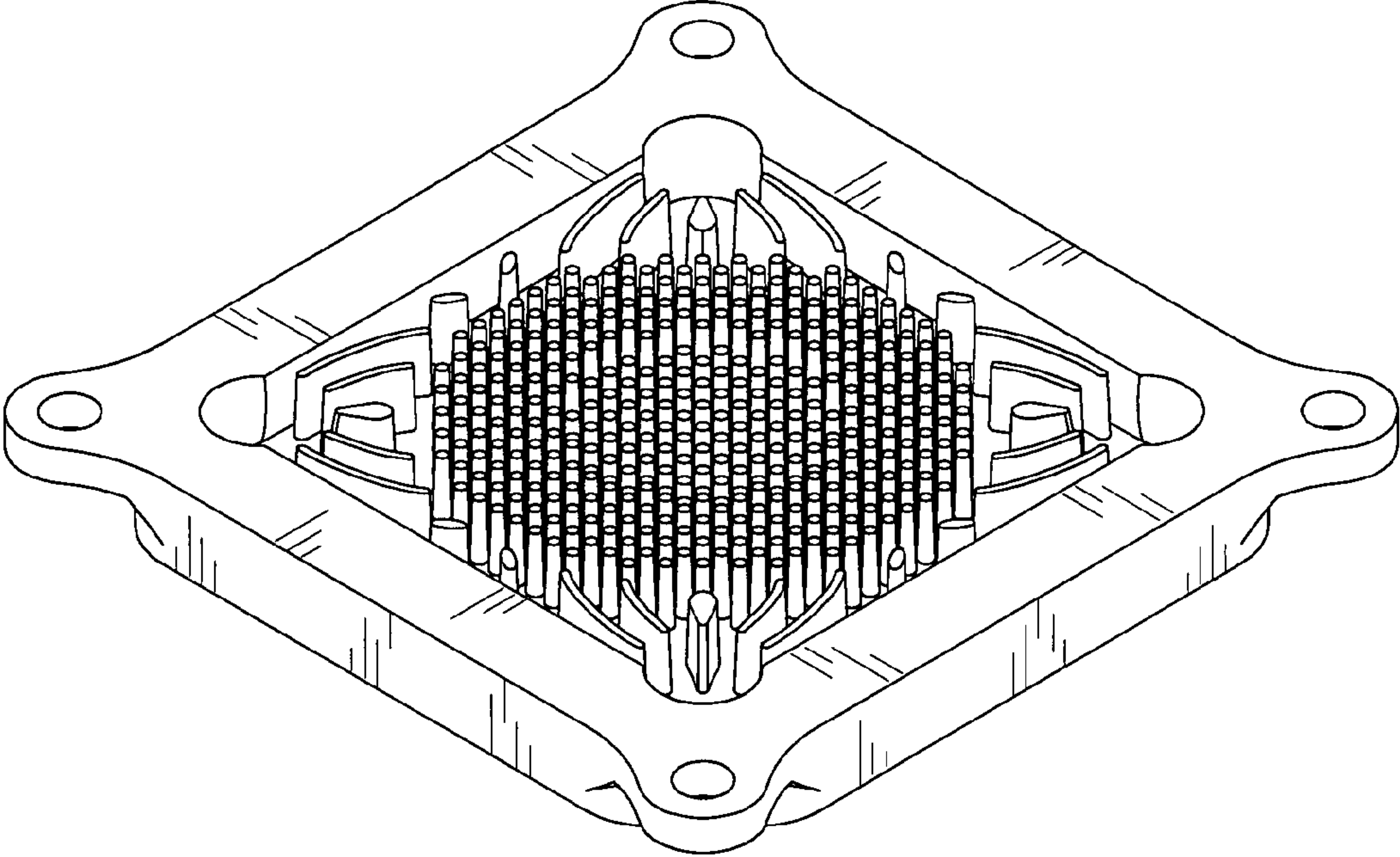


FIG. 1

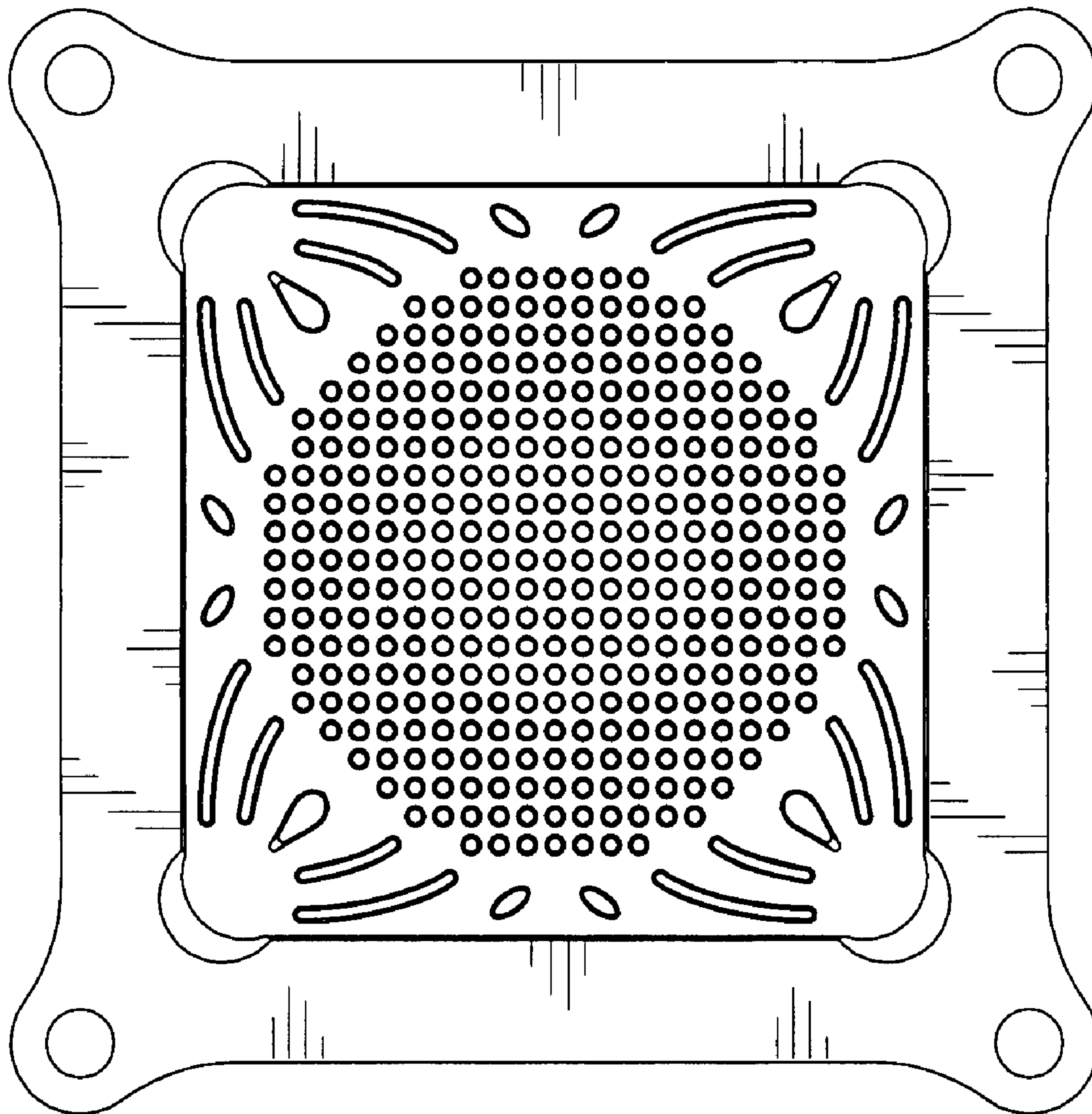


FIG. 2

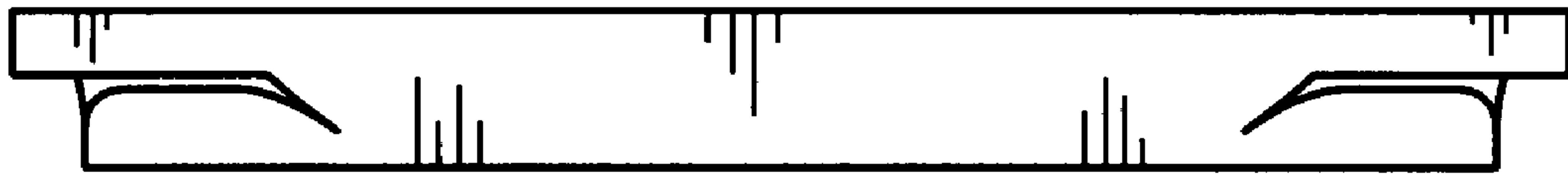


FIG. 3

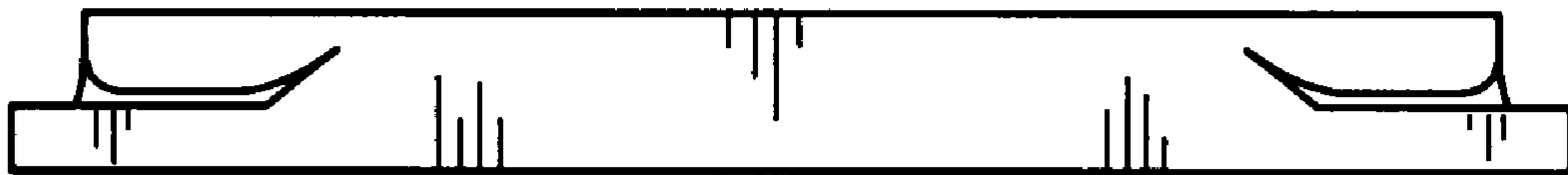


FIG. 4

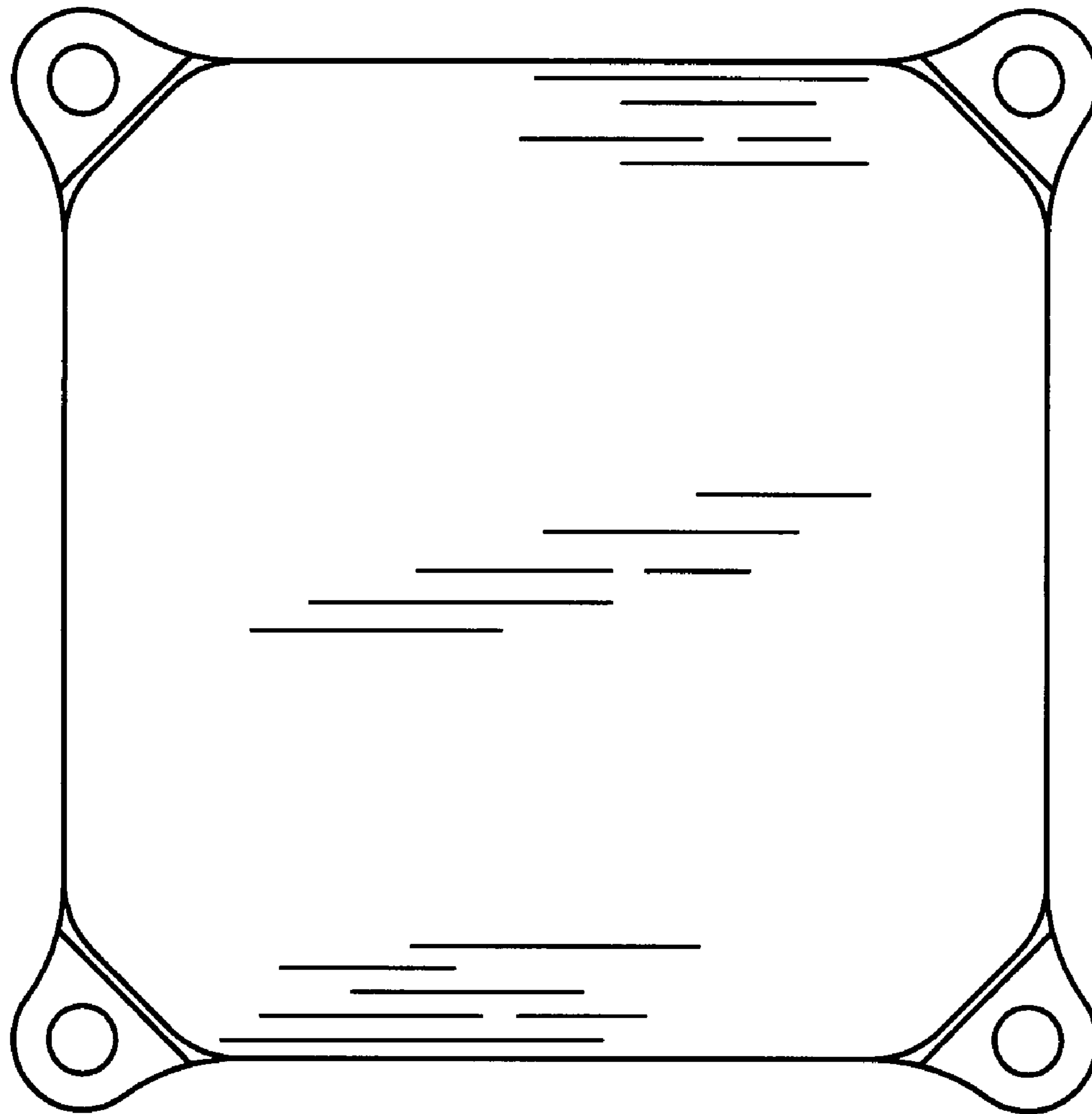


FIG. 5