



US00D553655S

(12) **United States Design Patent**
Jennings et al.

(10) **Patent No.:** **US D553,655 S**

(45) **Date of Patent:** **** Oct. 23, 2007**

(54) **DISPLAY PANEL HEAD AND ARMS FOR A ROBOT**

(75) Inventors: **Craig Jennings**, Dayton, OH (US);
Mike Katchmar, Troy, OH (US);
Wade Hickle, Vandalia, OH (US);
Zane Allan Michael, Troy, OH (US);
Carl Traynor, Dayton, OH (US)

(73) Assignee: **Motoman, Inc.**, West Carrollton, OH (US)

(**) Term: **14 Years**

(21) Appl. No.: **29/236,900**

(22) Filed: **Aug. 23, 2005**

(51) **LOC (8) Cl.** **15-99**

(52) **U.S. Cl.** **D15/199**

(58) **Field of Classification Search** D15/199;
222/129, 129.3; 700/264, 281

See application file for complete search history.

(56) **References Cited**

U.S. PATENT DOCUMENTS

3,067,912	A	12/1962	Neri et al.	
3,409,176	A	11/1968	Krause	
3,830,405	A	8/1974	Jaeger	
3,949,902	A	4/1976	Thompson	
4,628,974	A	12/1986	Meyer	
4,922,435	A	5/1990	Cahlander et al.	
5,074,741	A	12/1991	Johansson	
D456,080	S *	4/2002	Karlsson	D24/185
6,604,021	B2 *	8/2003	Imai et al.	700/245
7,177,724	B2 *	2/2007	Cantello et al.	700/264
2004/0193318	A1 *	9/2004	Ito	700/245
2005/0246065	A1 *	11/2005	Ricard	700/258
2006/0015214	A1 *	1/2006	Sugawara et al.	700/245

2006/0043111	A1 *	3/2006	Jennings et al.	222/129.1
2006/0149419	A1 *	7/2006	Ogawa et al.	700/245
2006/0200274	A1 *	9/2006	Watanabe et al.	700/245
2007/0005189	A1 *	1/2007	Furubo	700/245

OTHER PUBLICATIONS

Copending U.S. Appl. No. 11/210,249, filed Aug. 23, 2005, Jennings et al.

Copending U.S. Appl. No. 29/236,889, filed Aug. 23, 2005, Jennings et al.

Copending U.S. Appl. No. 11/210,244, filed Aug. 23, 2005, Jennings et al.

Science and Technology, www.guinnessworldrecords.com/content-pages/record.asp?recordid=53702, Most Cocktails Mixed by a Robot Bartender.

* cited by examiner

Primary Examiner—Antoine D. Davis

Assistant Examiner—Patricia Palasik

(74) *Attorney, Agent, or Firm*—Dinsmore & Shohl LLP

(57) **CLAIM**

The ornamental design for a display panel head and arms for a robot, as shown.

DESCRIPTION

FIG. 1 is a perspective view of a display panel head and arms for a robot illustrating our new design;

FIG. 2 is a front view of the design of FIG. 1;

FIG. 3 is a right side view of the design of FIG. 1;

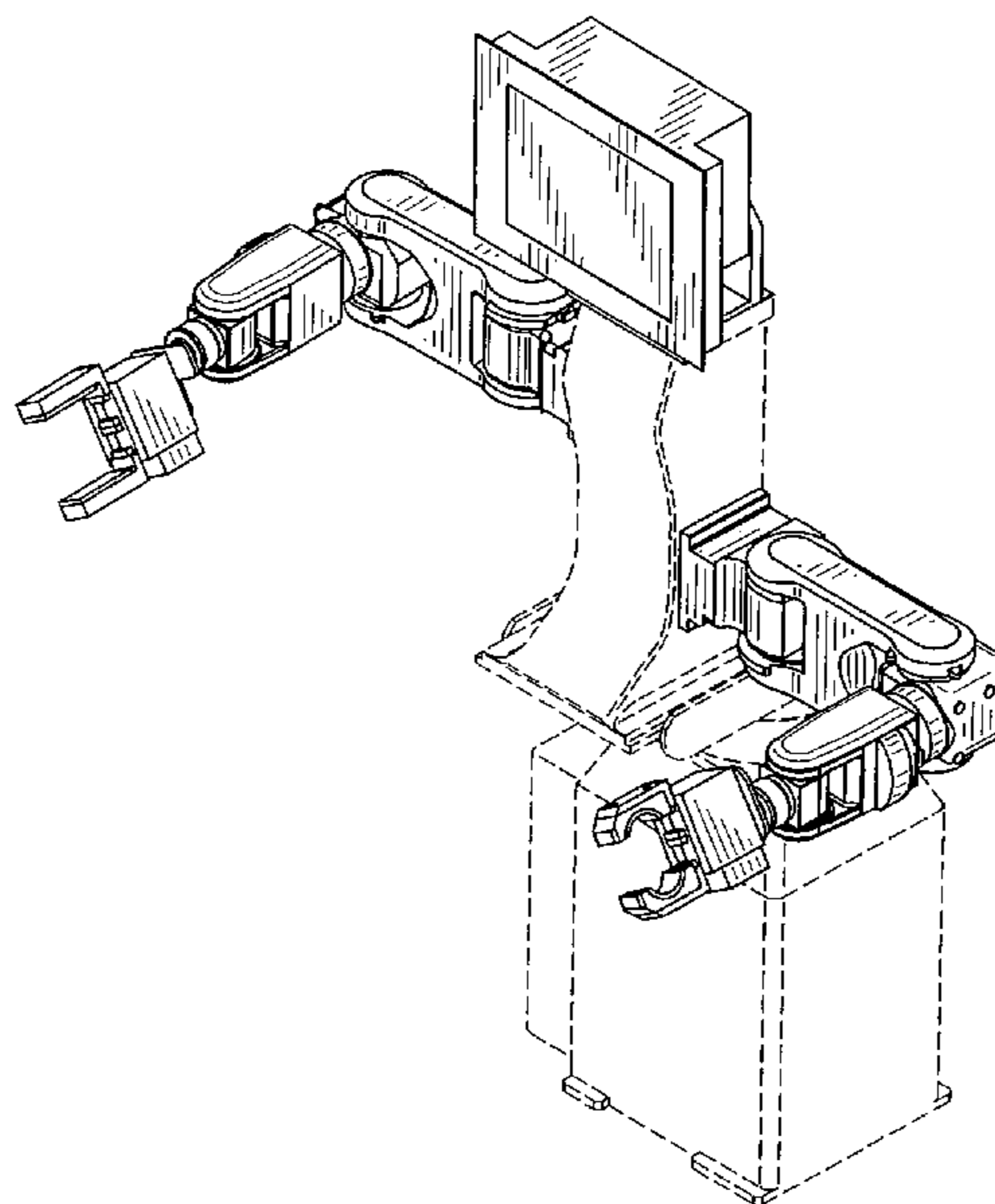
FIG. 4 is a left side view of the design of FIG. 1;

FIG. 5 is a top plan view of the design of FIG. 1;

FIG. 6 is a bottom plan view of the design in FIG. 1; and,

FIG. 7 is a rear view of the design in FIG. 1.

1 Claim, 6 Drawing Sheets



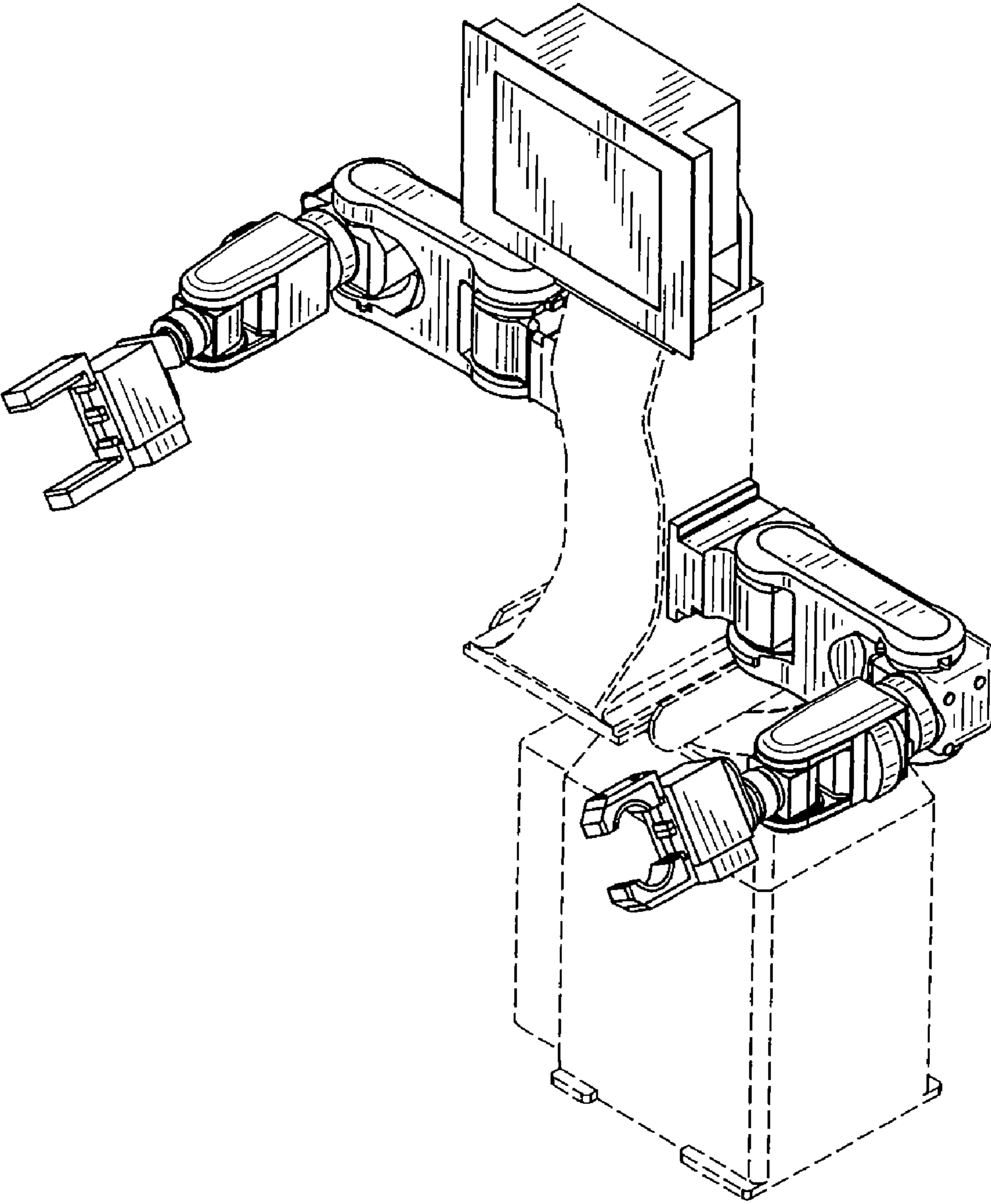


FIG. 1

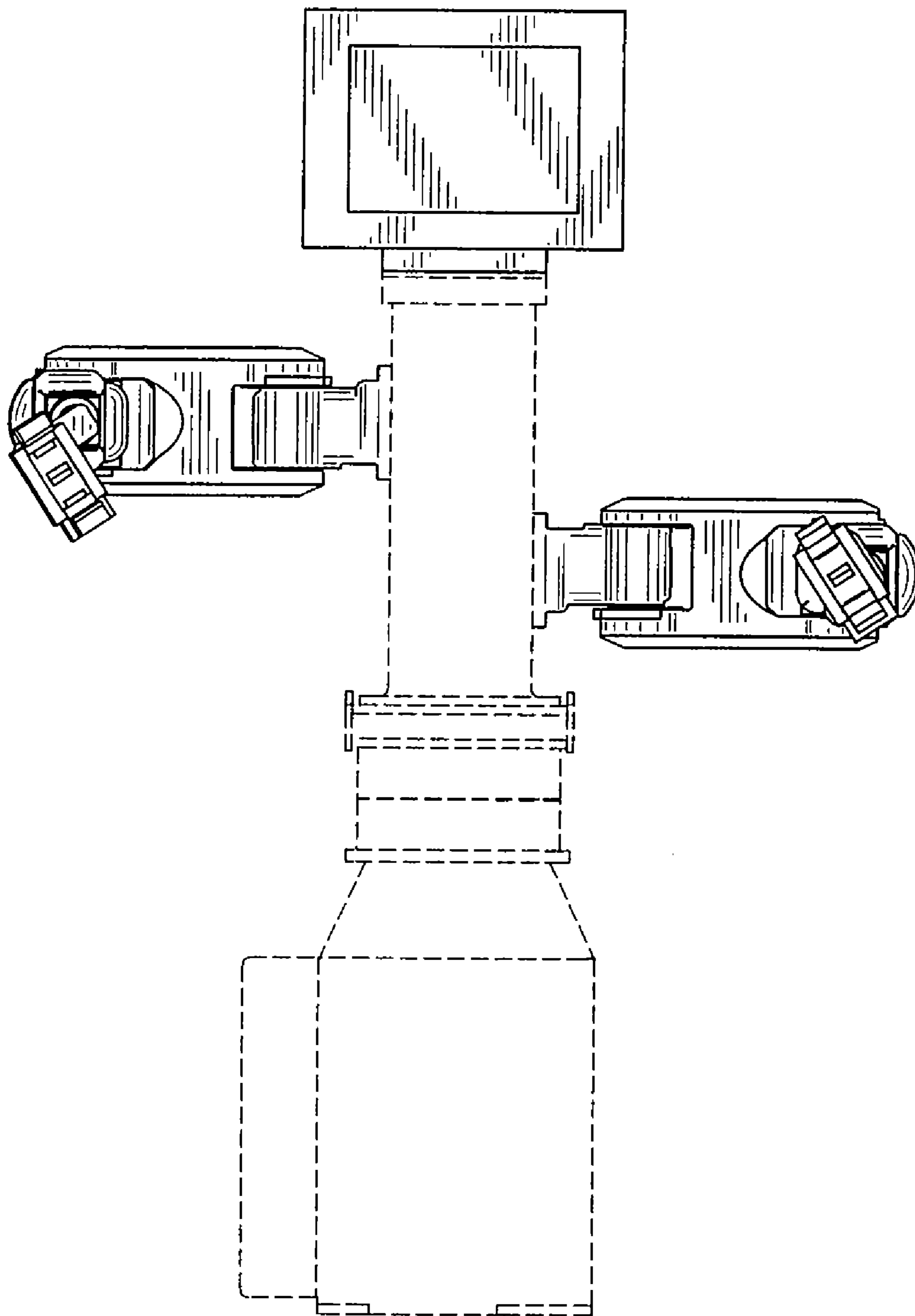


FIG. 2

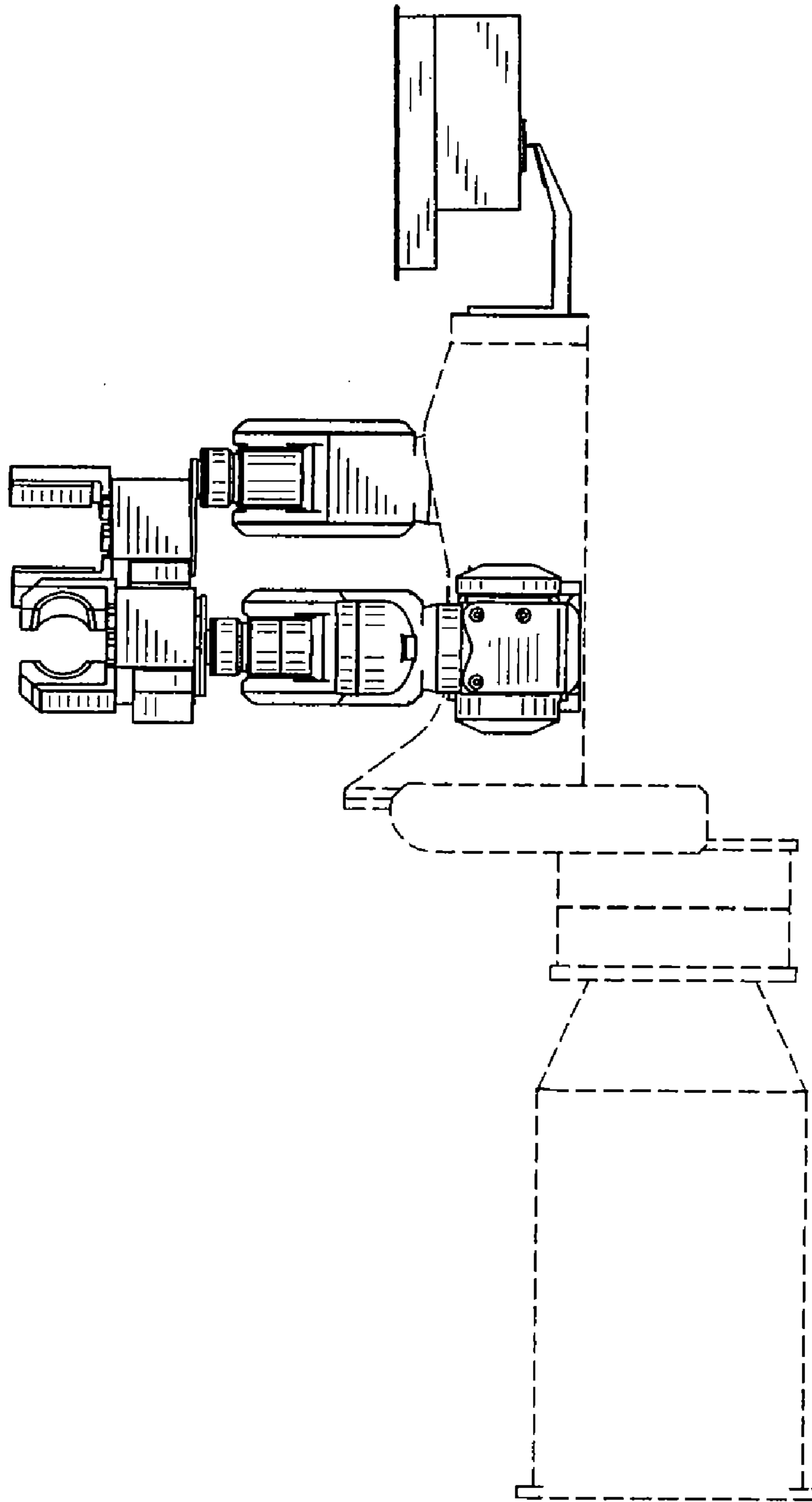


FIG. 3

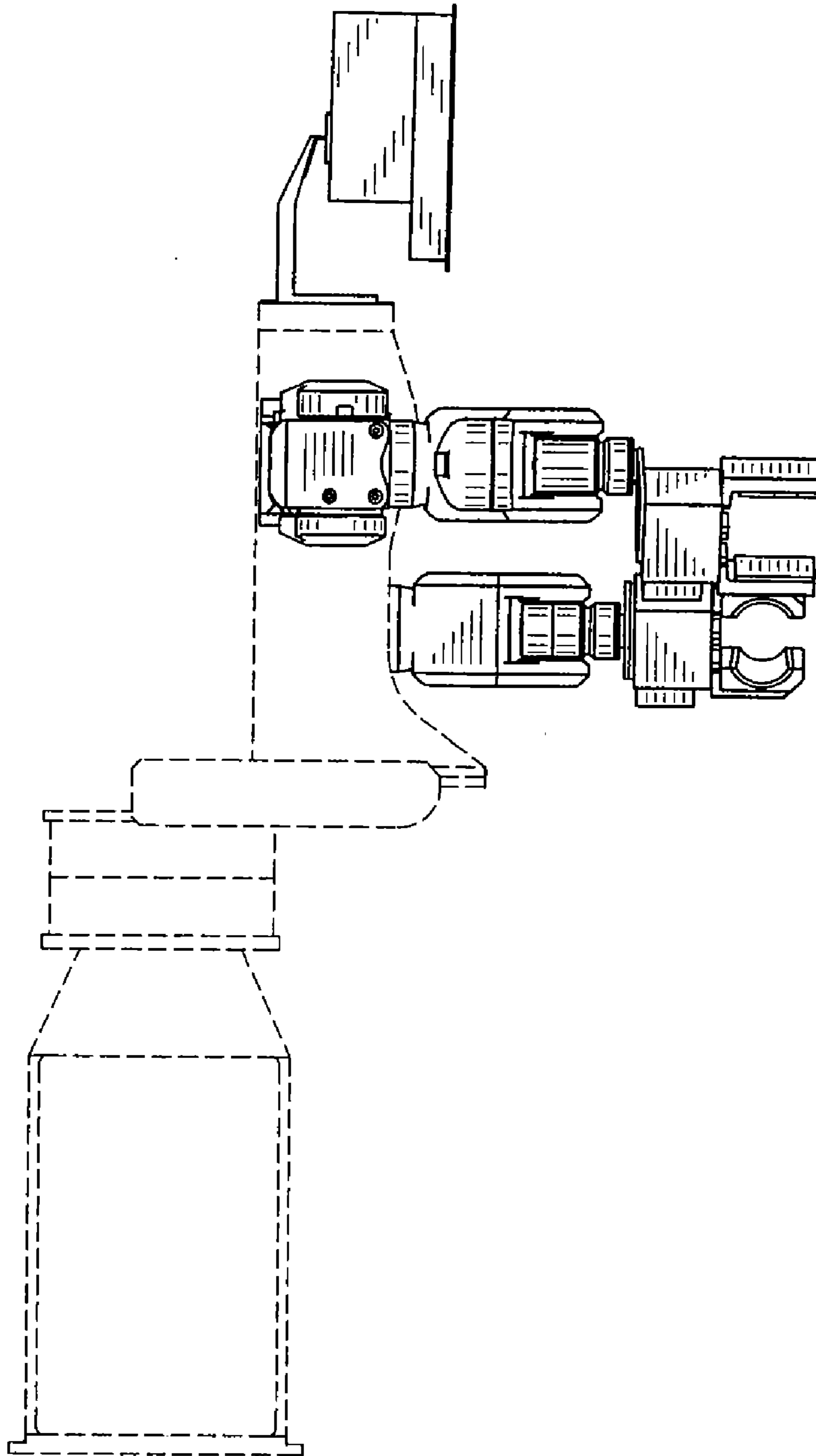


FIG. 4

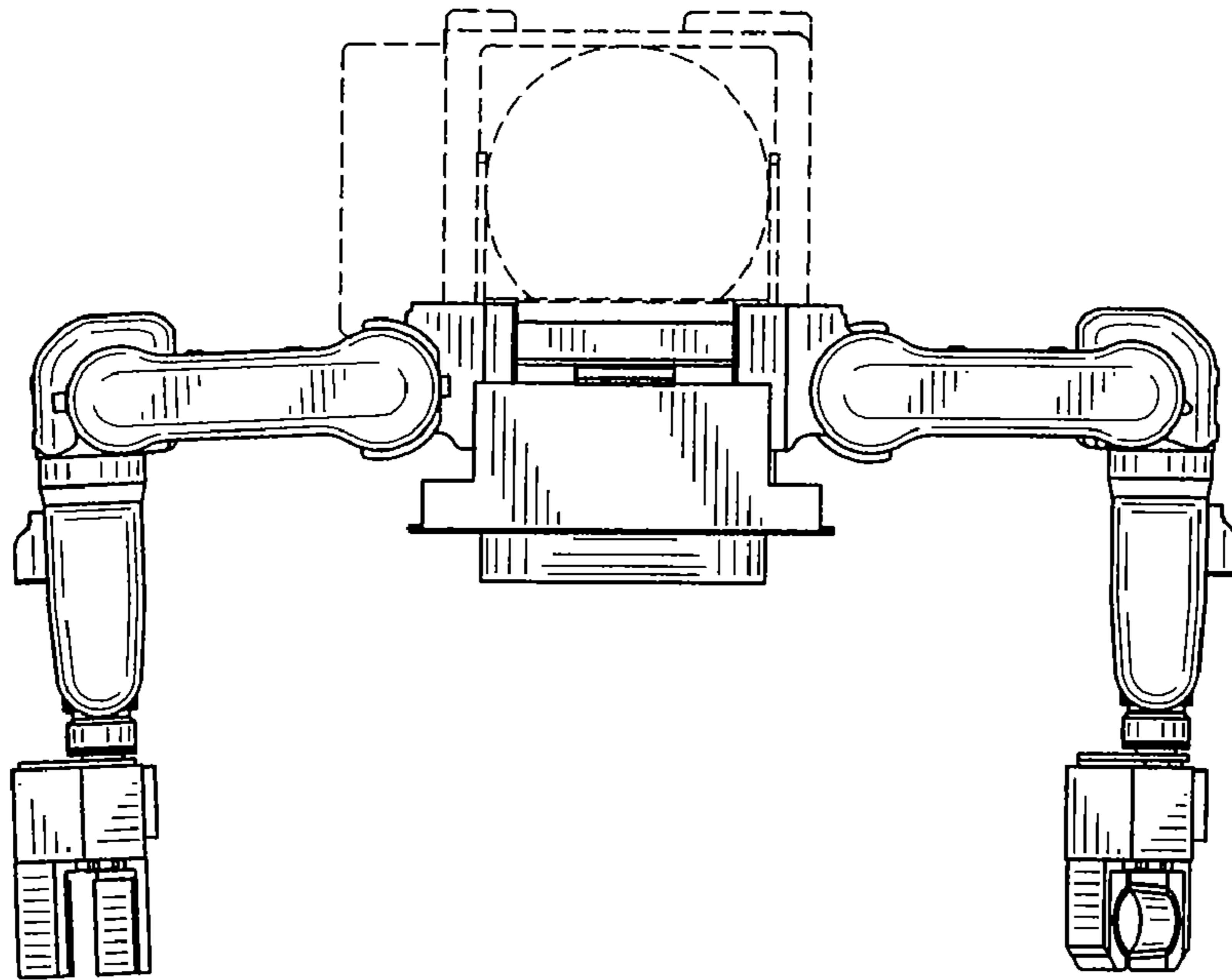


FIG. 5

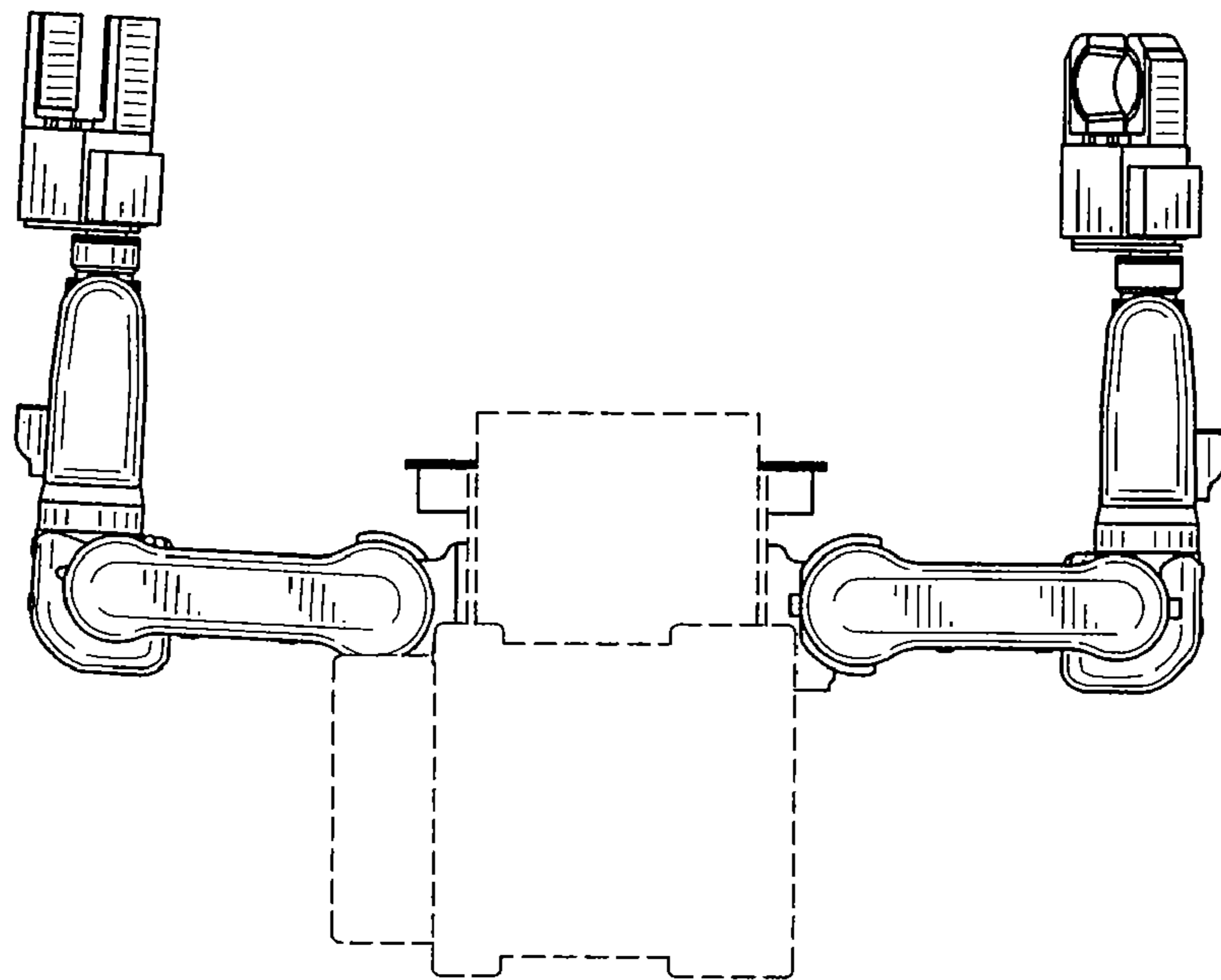


FIG. 6

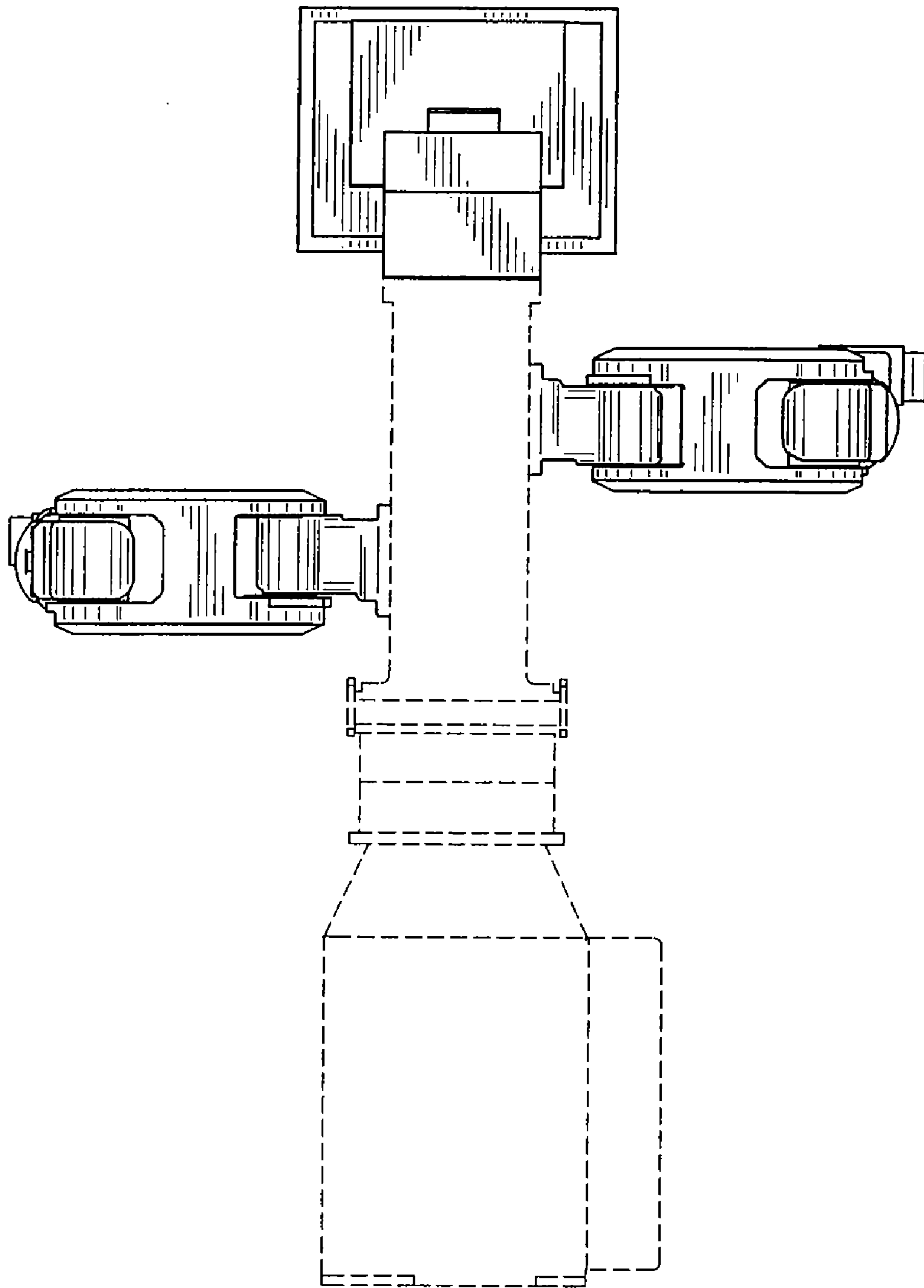


FIG. 7