

US00D553654S

(12) **United States Design Patent**
Betz

(10) **Patent No.:** **US D553,654 S**

(45) **Date of Patent:** **** Oct. 23, 2007**

(54) **AXIAL PISTON MACHINE**

(75) **Inventor:** **Gerhard Betz**, Herzogsweiler (DE)

(73) **Assignee:** **Brueninghaus Hydromatik GmbH**,
Elchingen (DE)

(**) **Term:** **14 Years**

(21) **Appl. No.:** **29/269,509**

(22) **Filed:** **Dec. 1, 2006**

(30) **Foreign Application Priority Data**

Jun. 1, 2006 (EM) 000537600

(51) **LOC (8) Cl.** **15-09**

(52) **U.S. Cl.** **D15/148**

(58) **Field of Classification Search** D15/1,
D15/3, 5, 148, 149; 91/476, 499, 505; 92/12.2,
92/19, 20, 71; 417/212, 218, 269, 319
See application file for complete search history.

(56) **References Cited**

U.S. PATENT DOCUMENTS

- 3,733,970 A * 5/1973 Bosch 91/506
- 4,838,765 A * 6/1989 Wusthof et al. 417/203
- 4,896,585 A * 1/1990 Forster 92/12.2
- 5,393,205 A * 2/1995 Fujii et al. 417/269
- D501,860 S * 2/2005 Wanschura et al. D15/149

- D502,717 S * 3/2005 Wanschura et al. D15/149
- D533,205 S * 12/2006 Sinz D15/149
- 2006/0169072 A1 * 8/2006 Beck 74/61
- 2006/0201323 A1 * 9/2006 Forster 92/71
- 2006/0269421 A1 * 11/2006 Sakikawa et al. 417/269

* cited by examiner

Primary Examiner—Antoine D. Davis

Assistant Examiner—Patricia Palasik

(74) *Attorney, Agent, or Firm*—Scully, Scott, Murphy &
Presser, P.C.

(57) **CLAIM**

The ornamental design for an axial piston machine, as shown and described.

DESCRIPTION

FIG. 1 illustrates a perspective view of the axial piston machine, showing my new and ornamental design;

FIG. 2 illustrates a side view thereof;

FIG. 3 illustrates a side view thereof;

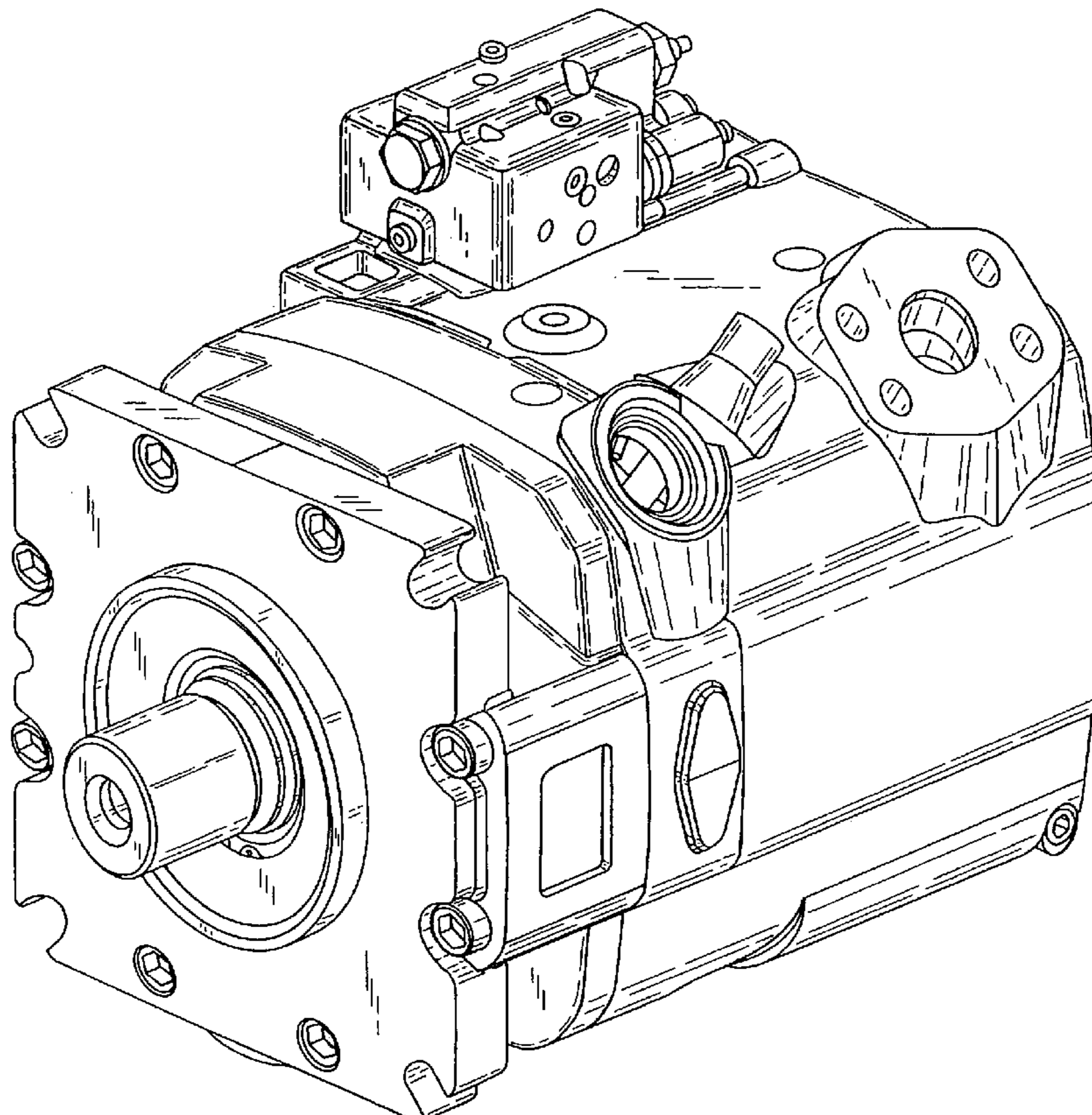
FIG. 4 illustrates a side view thereof, opposite to FIG. 2;

FIG. 5 illustrates a side view thereof, opposite to FIG. 3;

FIG. 6 illustrates a top plan view thereof; and,

FIG. 7 illustrates a bottom plan view thereof.

1 Claim, 7 Drawing Sheets



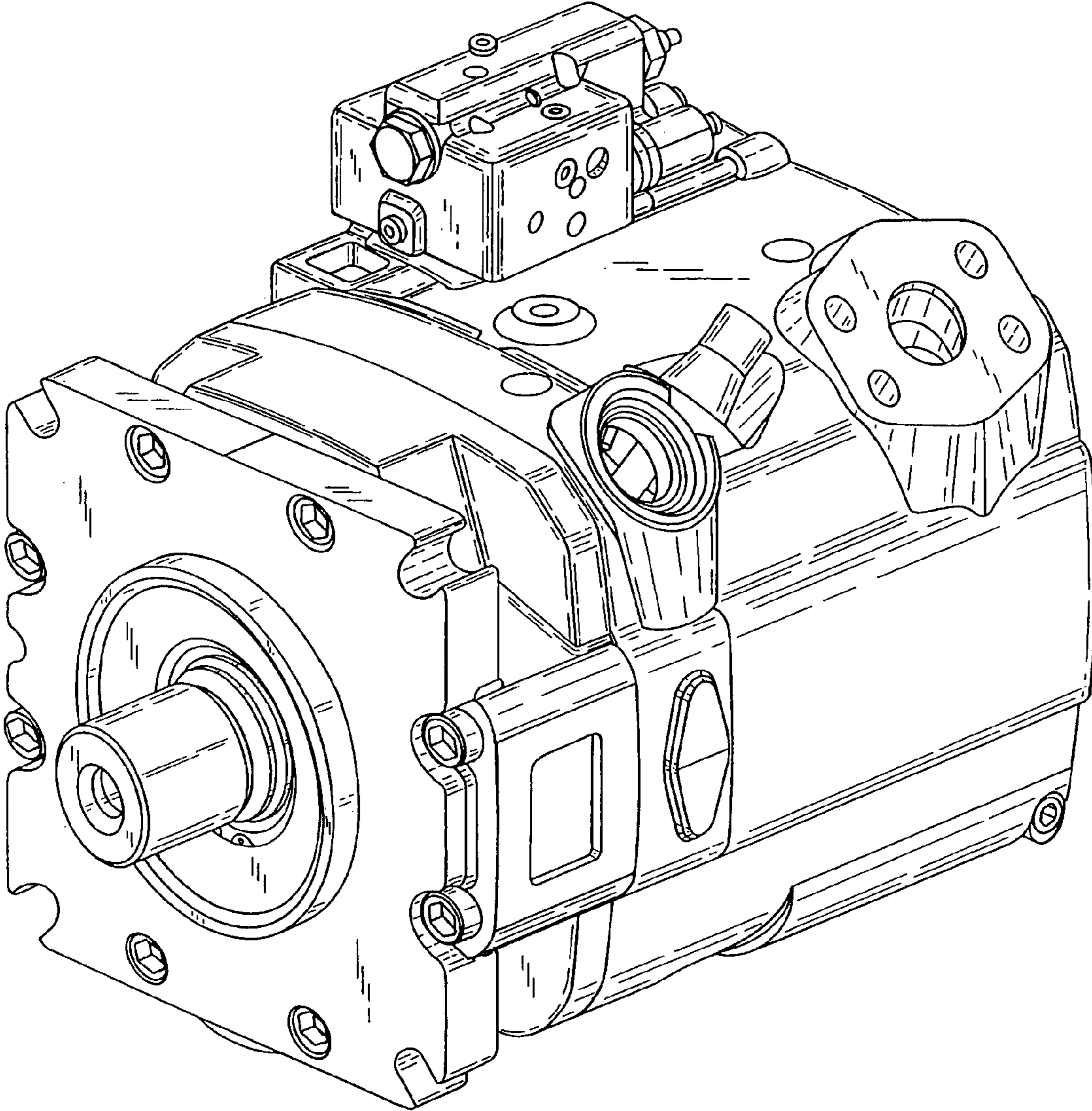


FIG. 1

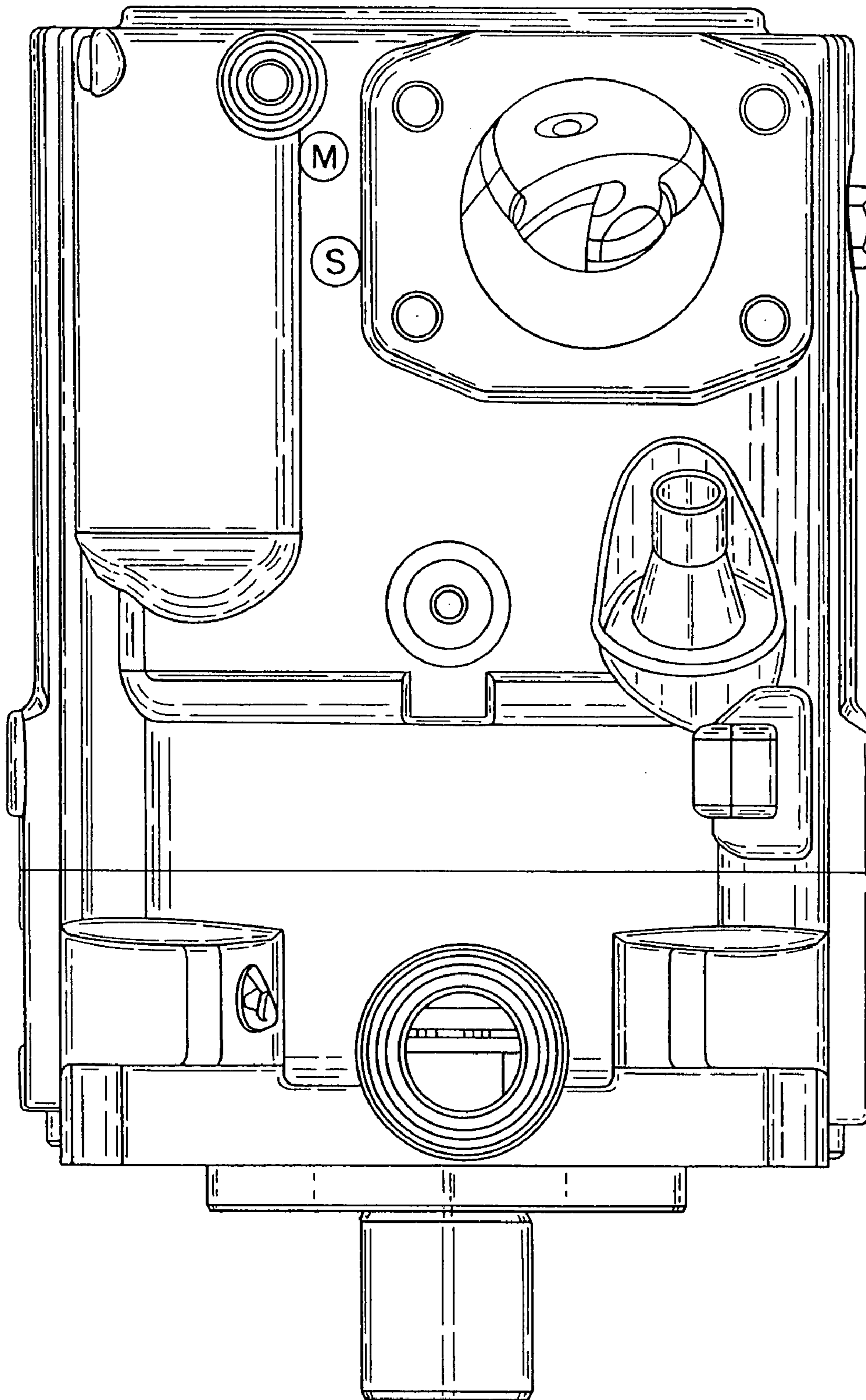


FIG. 2

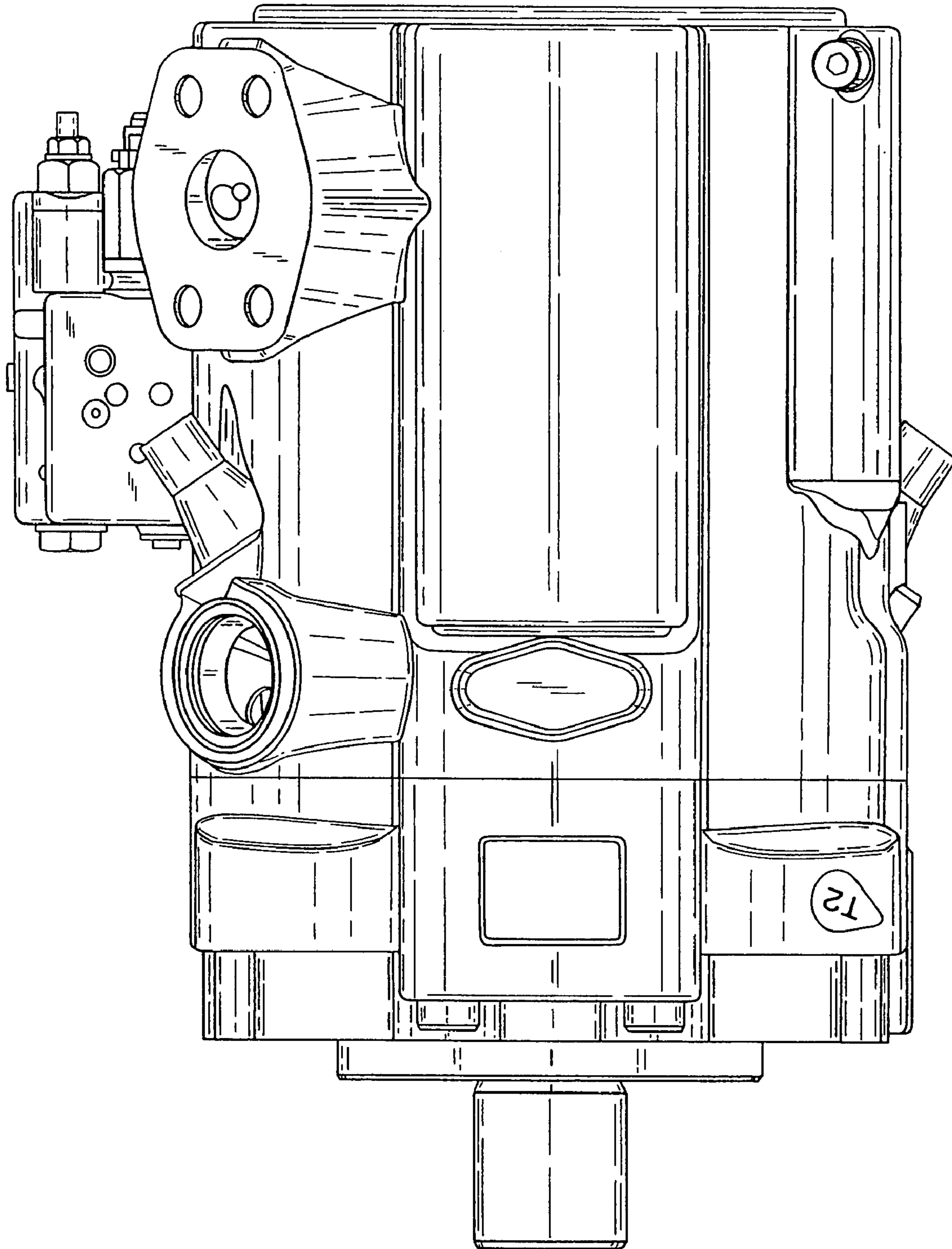


FIG. 3

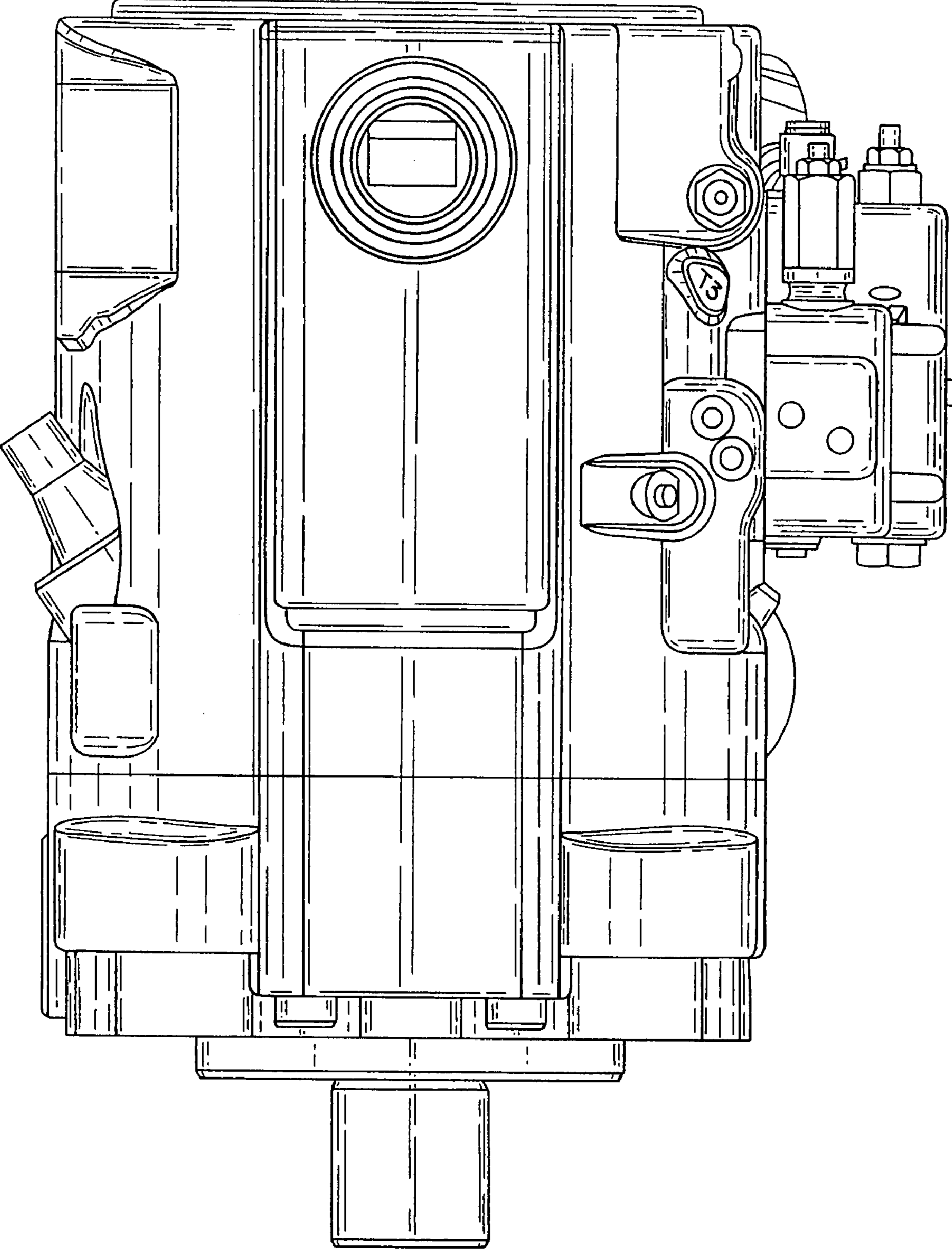


FIG. 4

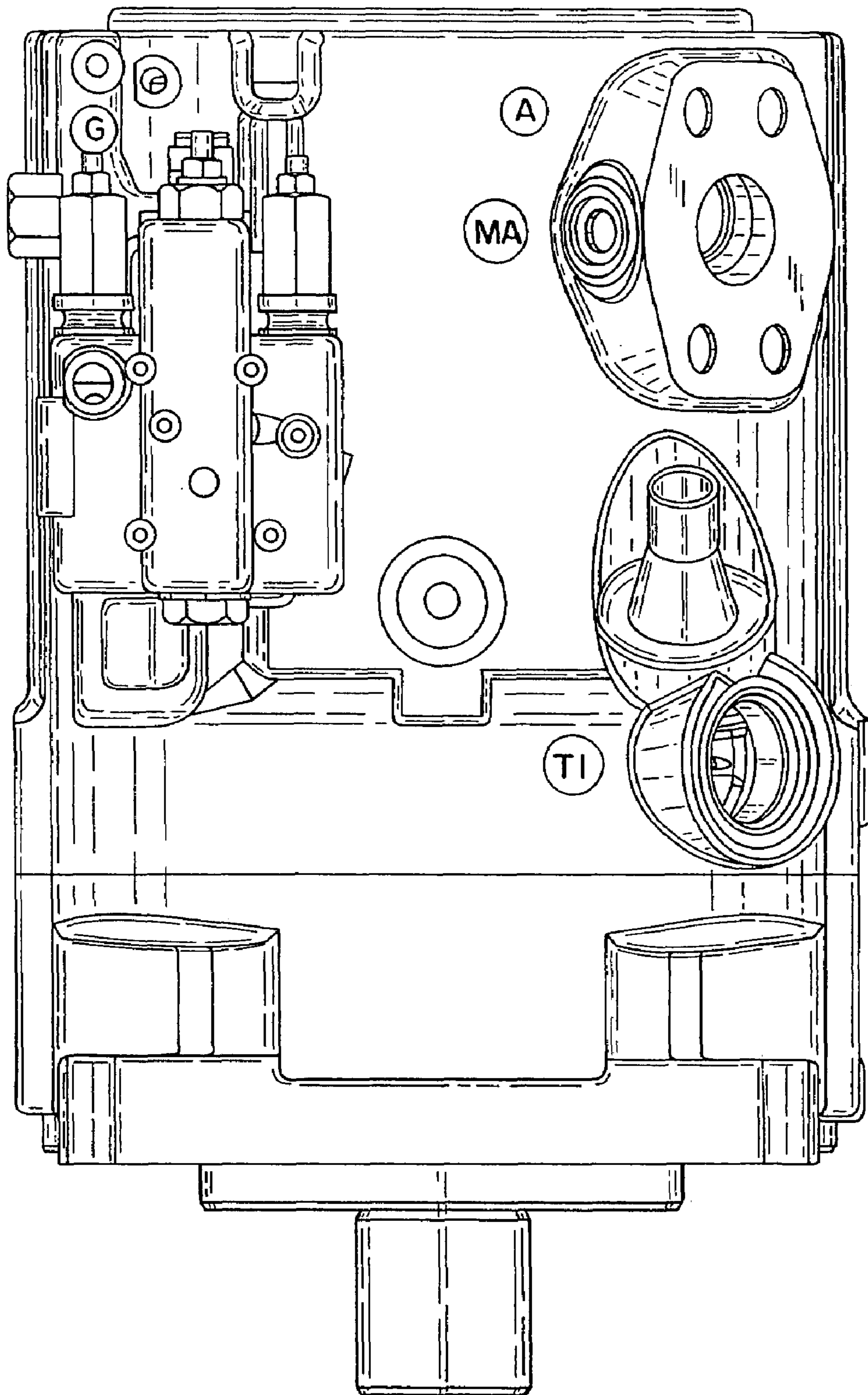


FIG.5

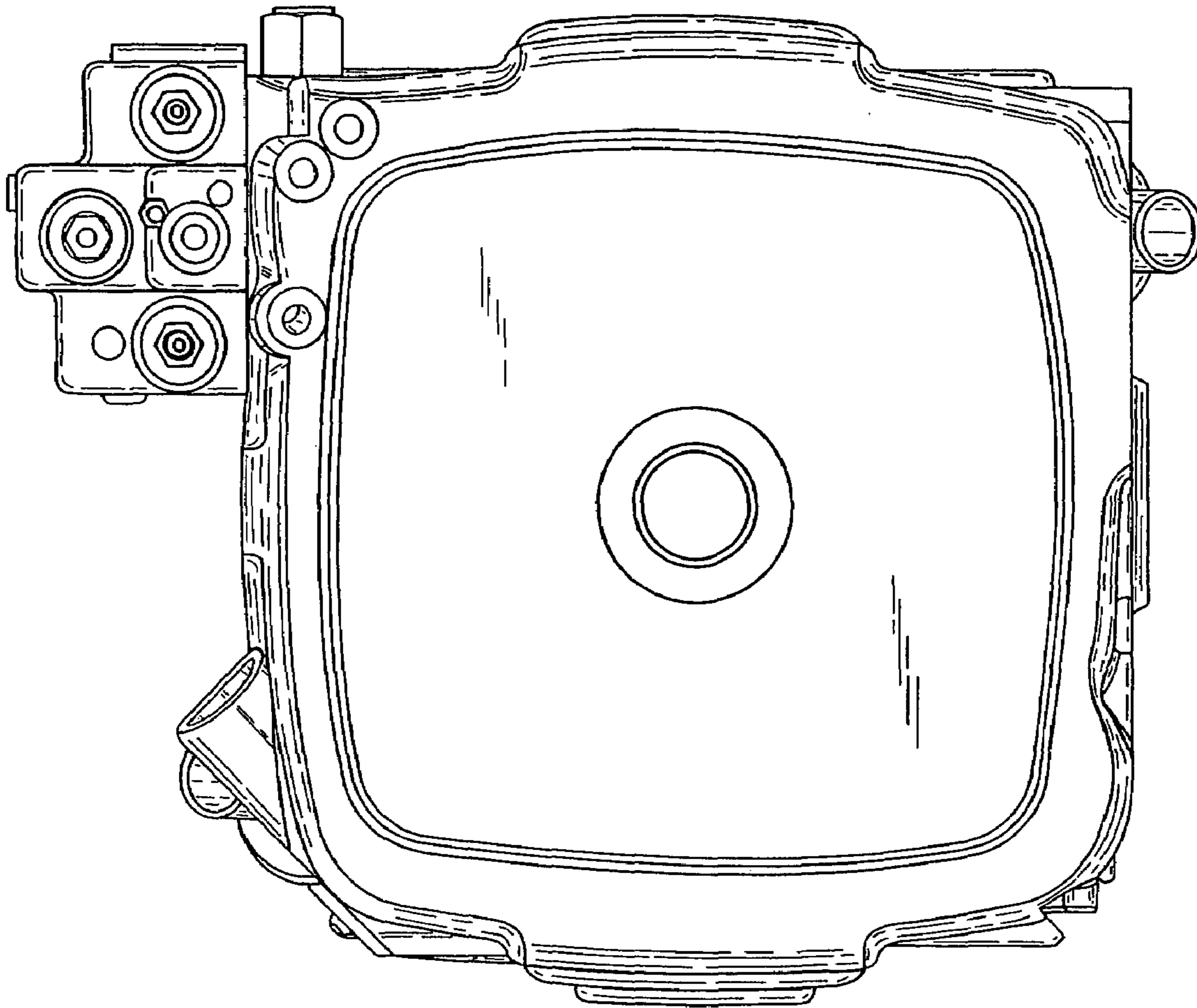


FIG.6

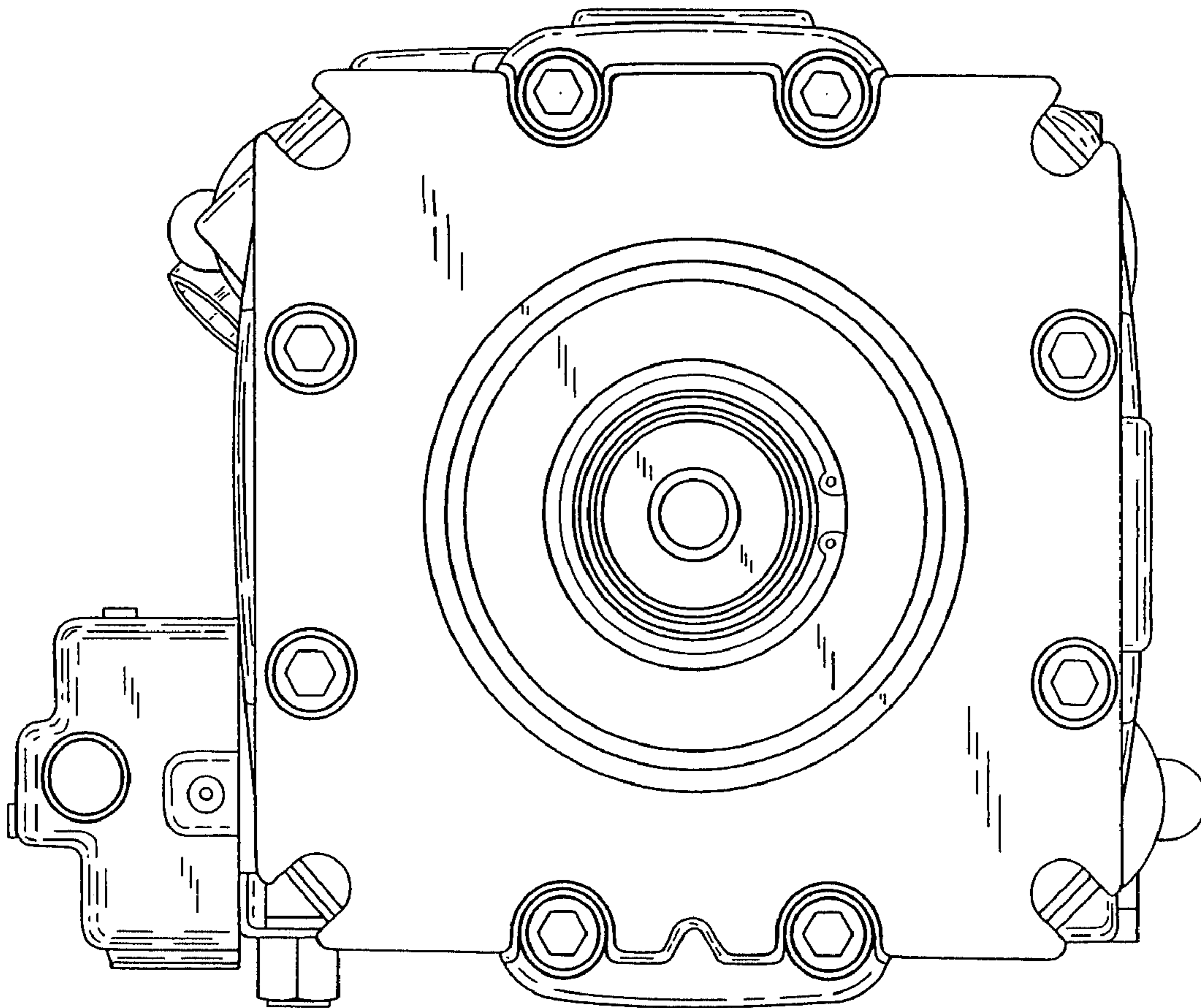


FIG. 7