



US00D553650S

(12) **United States Design Patent**
Muto

(10) **Patent No.:** **US D553,650 S**

(45) **Date of Patent:** **** Oct. 23, 2007**

(54) **SEWING MACHINE**

(75) Inventor: **Hideki Muto**, Tokyo (JP)

(73) Assignee: **Janome Sewing Machine Co., Ltd.**,
Tokyo (JP)

(**) Term: **14 Years**

(21) Appl. No.: **29/271,751**

(22) Filed: **Jan. 26, 2007**

(30) **Foreign Application Priority Data**

Oct. 4, 2006 (JP) 2006-026905

(51) **LOC (8) Cl.** **15-06**

(52) **U.S. Cl.** **D15/69**

(58) **Field of Classification Search** D15/66,
D15/67, 69, 70, 77; 112/2, 78, 154, 475.01
See application file for complete search history.

(56) **References Cited**

U.S. PATENT DOCUMENTS

| | | | |
|--------------|---------|---------------------|--------|
| D307,024 S * | 4/1990 | Itoh et al. | D15/69 |
| D309,739 S * | 8/1990 | Itoh et al. | D15/69 |
| D321,518 S * | 11/1991 | Uchida | D15/69 |
| D338,022 S * | 8/1993 | Takada et al. | D15/69 |
| D392,294 S * | 3/1998 | Kato et al. | D15/69 |
| D450,721 S * | 11/2001 | Kawaguchi | D15/69 |
| D462,368 S * | 9/2002 | Kuroki | D15/69 |
| D465,793 S * | 11/2002 | Takada et al. | D15/69 |

| | | | |
|--------------|---------|--------------------|--------|
| D478,337 S * | 8/2003 | Kuroki | D15/69 |
| D478,916 S * | 8/2003 | Kuroki | D15/69 |
| D482,702 S * | 11/2003 | Kawaguchi | D15/69 |
| D521,534 S * | 5/2006 | Kawaguchi | D15/70 |
| D524,828 S * | 7/2006 | Kuroki | D15/69 |

* cited by examiner

Primary Examiner—Mitchell Siegel

Assistant Examiner—Shanda C. Hill

(74) *Attorney, Agent, or Firm*—McGinn IP Law Group,
PLLC

(57) **CLAIM**

The ornamental design for a sewing machine, as shown and described.

DESCRIPTION

FIG. 1 is a front perspective view from a left angle of a sewing machine showing my design;

FIG. 2 is a front perspective view from a right angle thereof;

FIG. 3 is a front elevational view of the sewing machine;

FIG. 4 is a rear elevational view thereof;

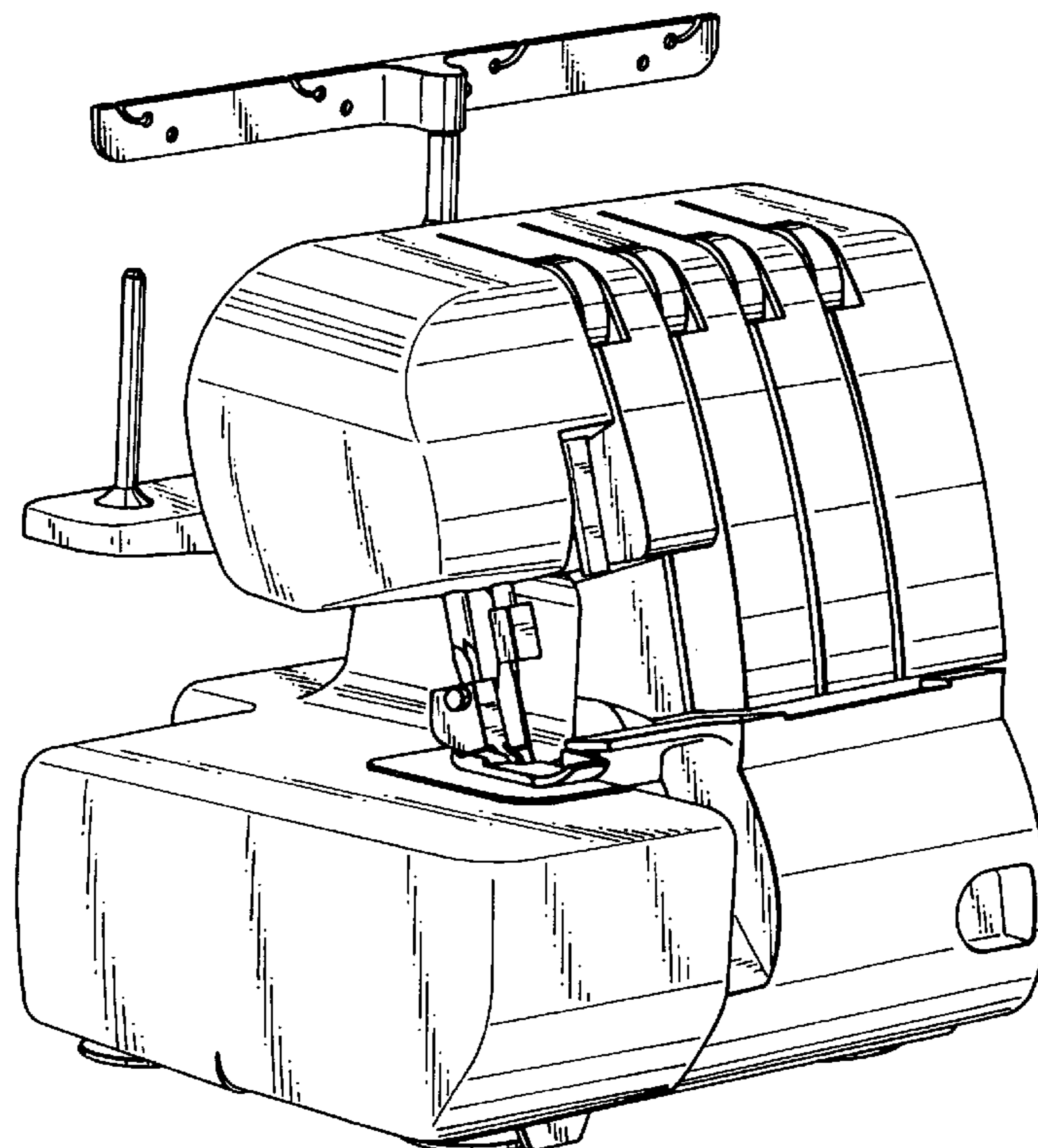
FIG. 5 is a left side elevational view thereof;

FIG. 6 is a right side elevational view thereof;

FIG. 7 is a top plan view thereof; and,

FIG. 8 is a bottom plan view thereof.

1 Claim, 8 Drawing Sheets



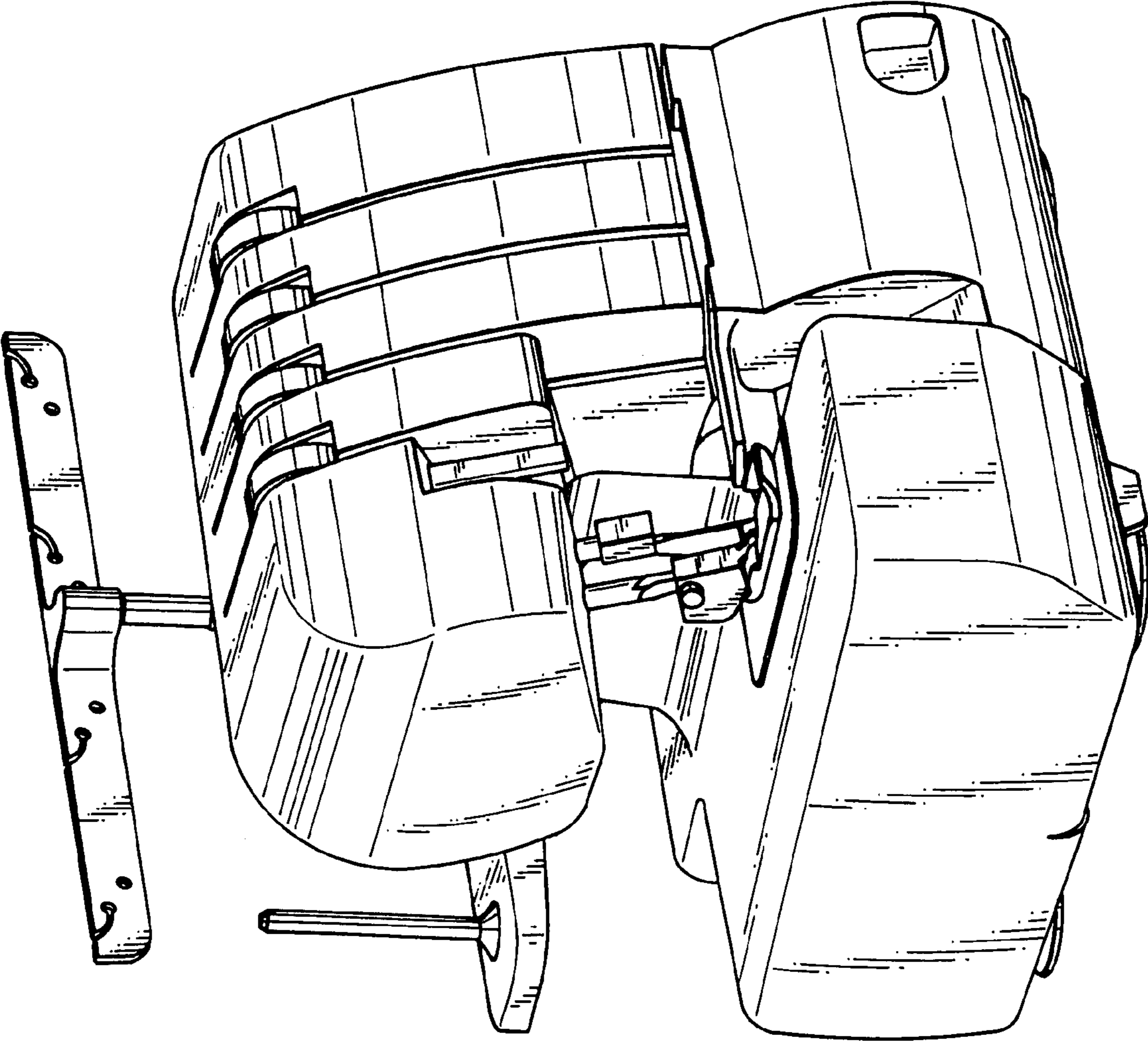


FIG. 1

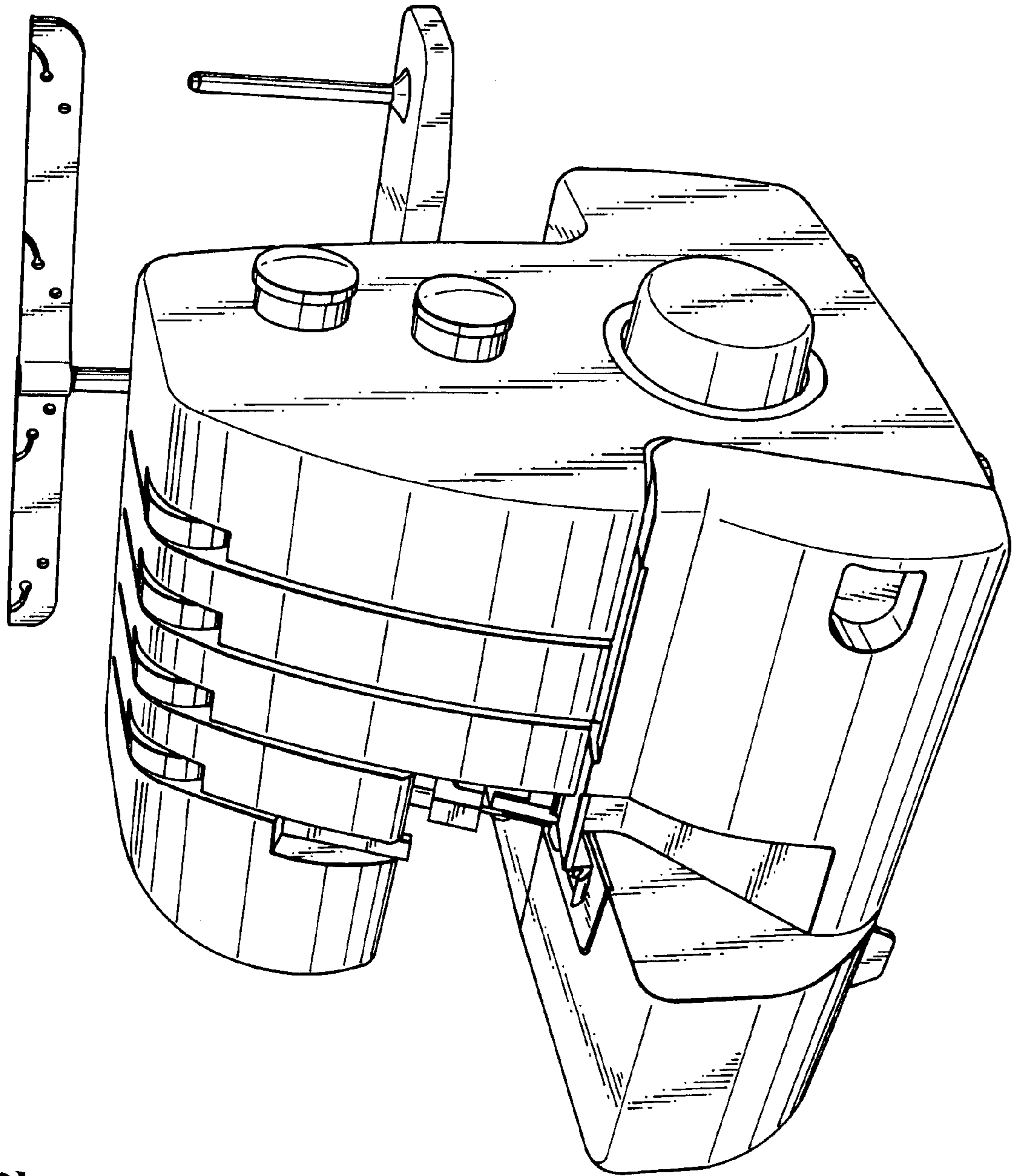


FIG.2

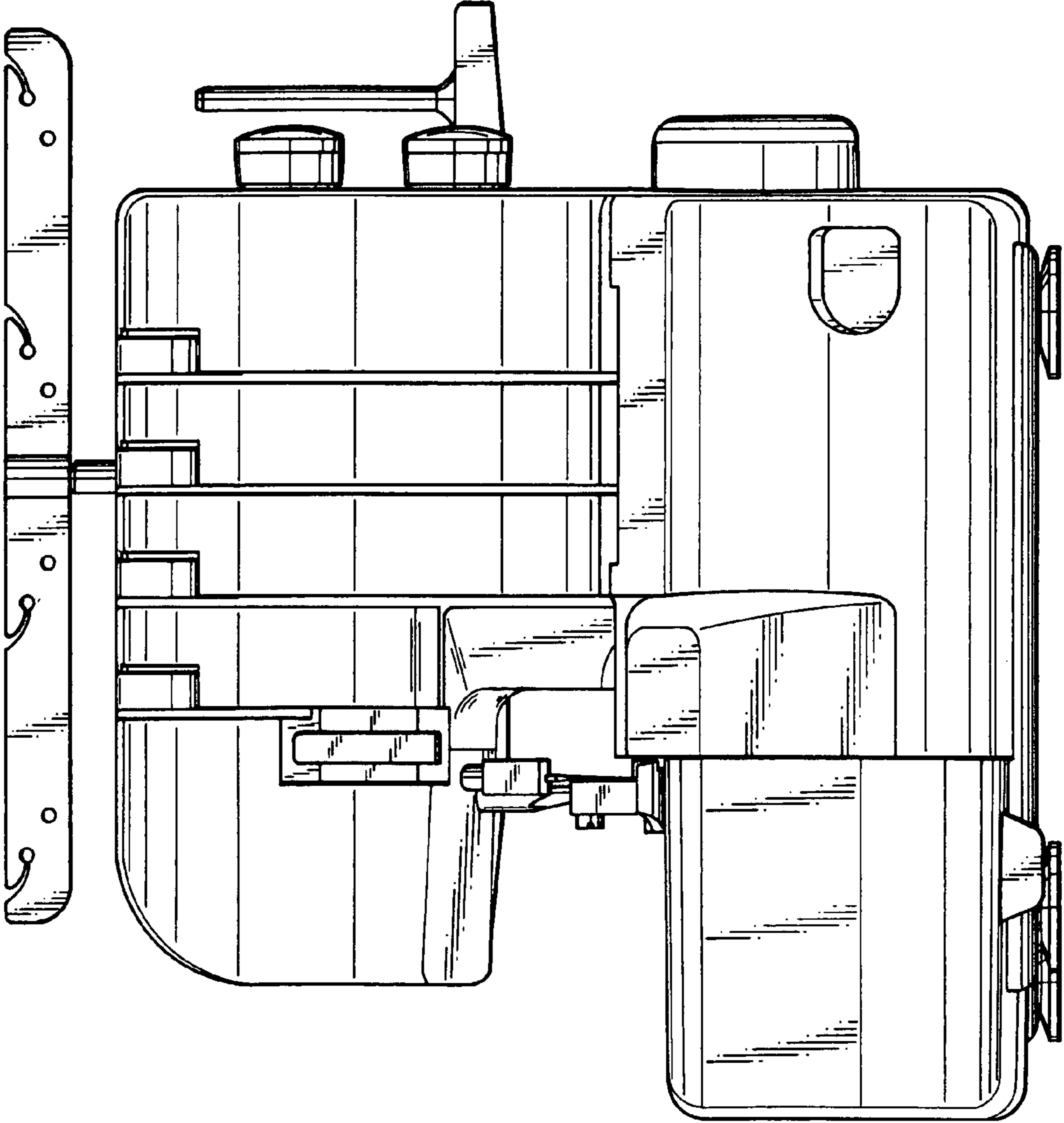


FIG. 3

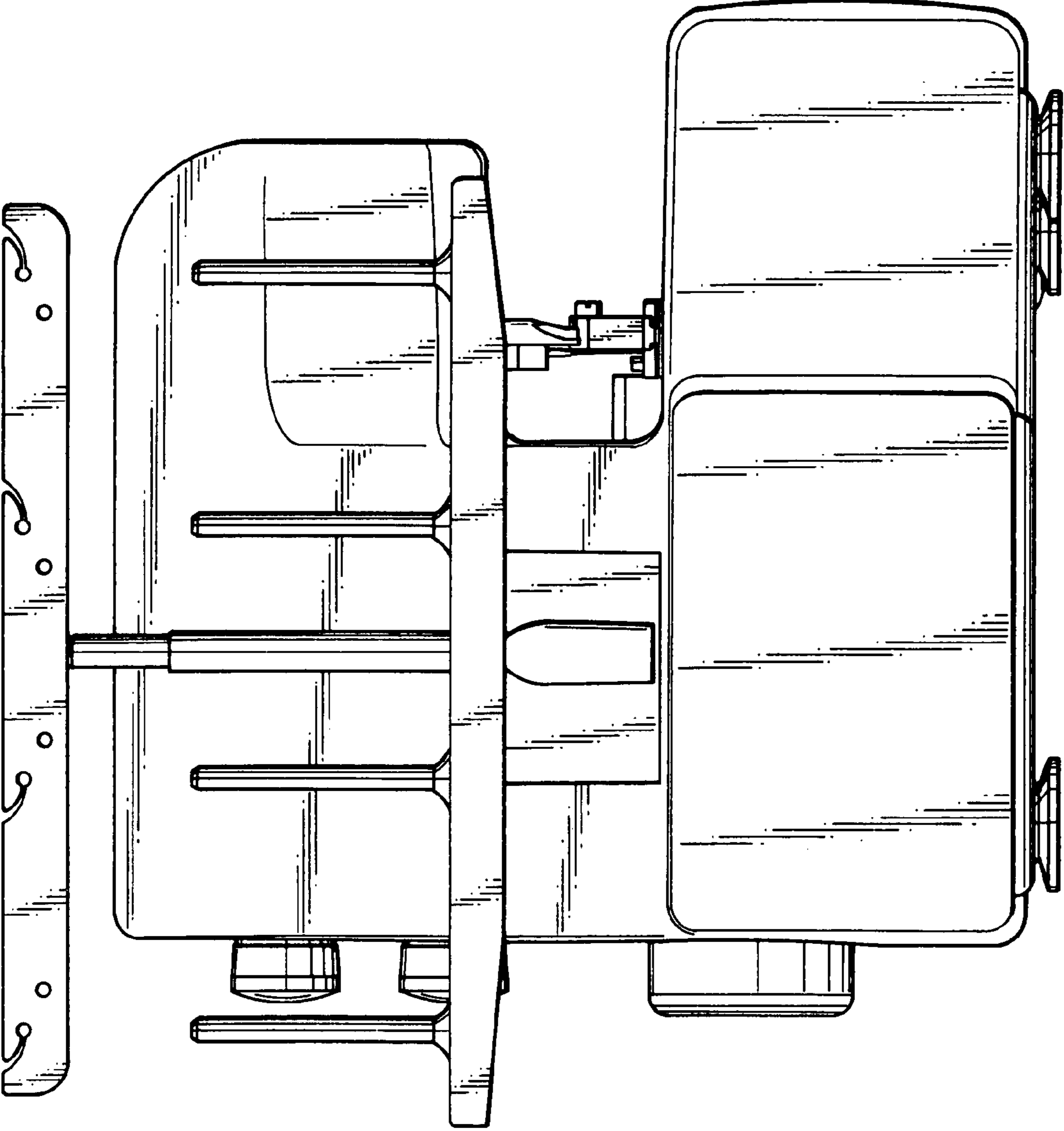


FIG. 4

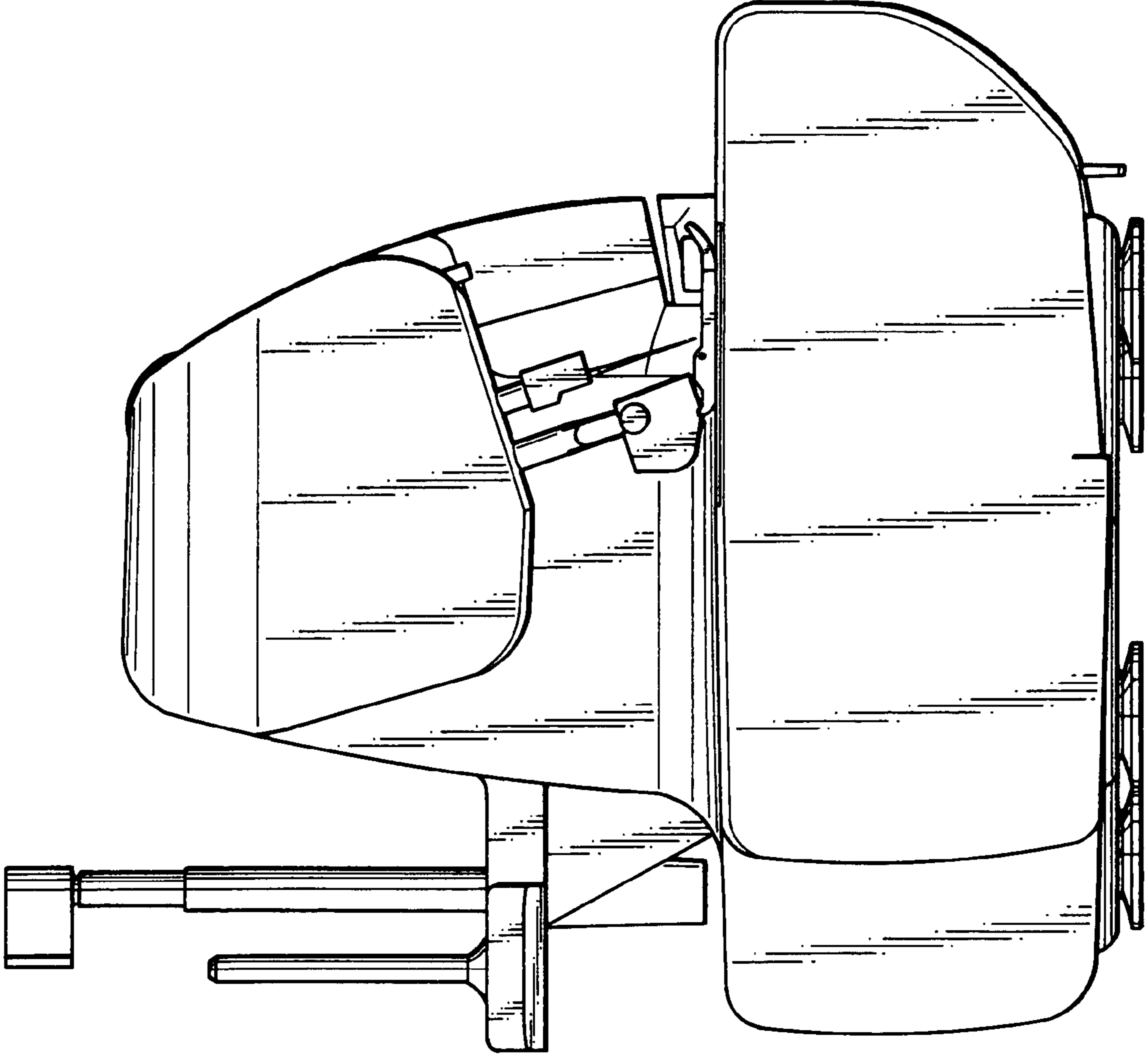


FIG. 5

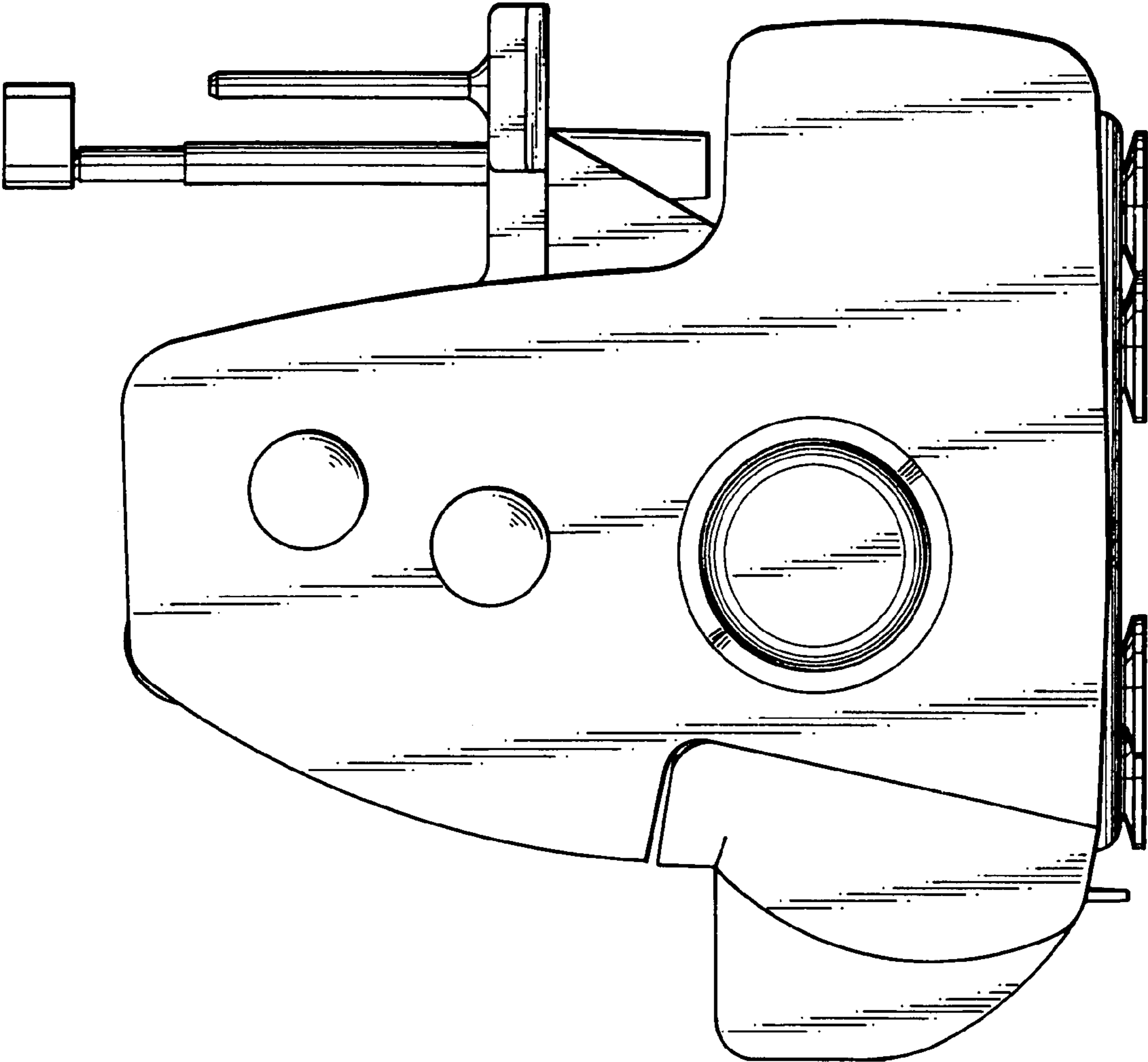


FIG. 6

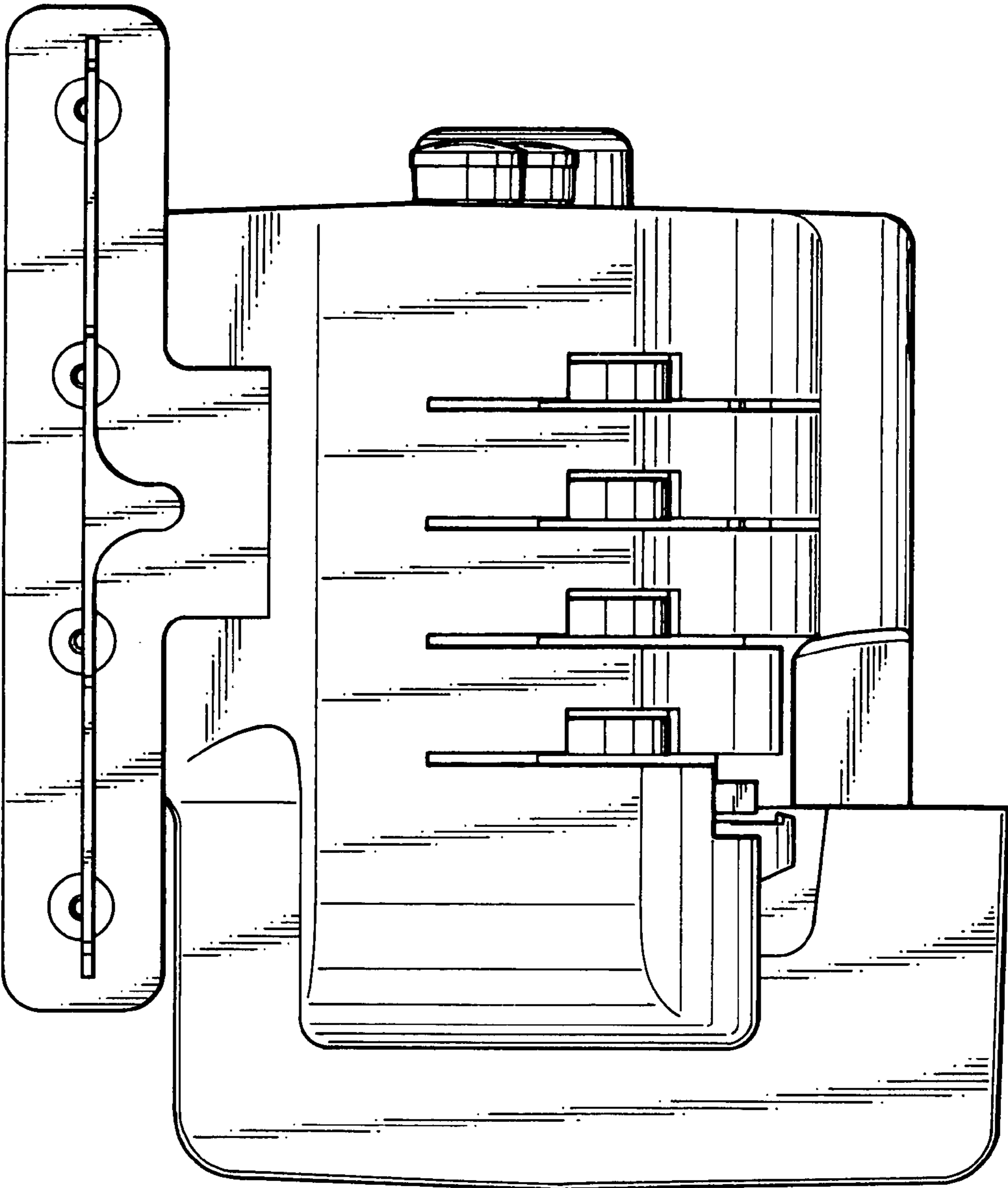


FIG. 7

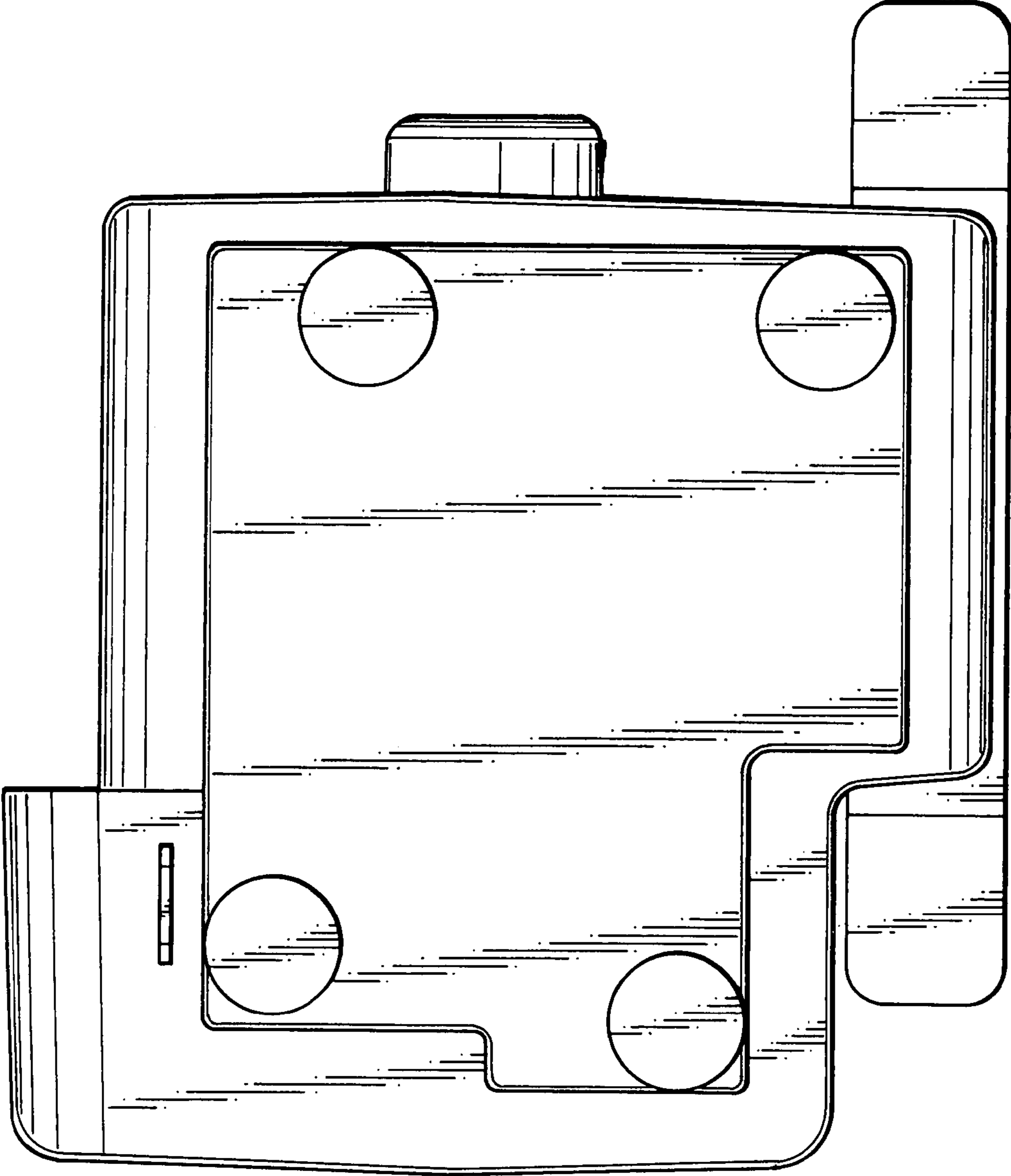


FIG. 8