



US00D553648S

(12) **United States Design Patent** (10) **Patent No.:** **US D553,648 S**
Laya H. et al. (45) **Date of Patent:** **** Oct. 23, 2007**

(54) **GASOLINE DISPENSARY**

(75) Inventors: **Wilburg J. Laya H.**, San Diego (VE);
Luis Fuentes, Valencia (VE); **Wilburg Laya M.**, San Diego (VE)

(73) Assignee: **Deltaven, S.A.**, Caracas (VE)

(**) Term: **14 Years**

(21) Appl. No.: **29/264,334**

(22) Filed: **Aug. 8, 2006**

(51) **LOC (8) Cl.** **15-02**

(52) **U.S. Cl.** **D15/9.1**

(58) **Field of Classification Search** D15/7-9;
D23/232, 231; 417/359, 415-416, 410.1,
417/321, 265, 405; 222/28, 71

See application file for complete search history.

(56) **References Cited**

U.S. PATENT DOCUMENTS

D273,791 S *	5/1984	Monigle et al.	D15/9.1
D301,147 S *	5/1989	Bass	D15/9.1
4,930,665 A *	6/1990	Devine	222/28
D395,052 S *	6/1998	Krone et al.	D15/9.1
D438,216 S *	2/2001	Taylor et al.	D15/9.1
D440,579 S *	4/2001	Wilson et al.	D15/9.2

* cited by examiner

Primary Examiner—Ralf Seifert
(74) *Attorney, Agent, or Firm*—Bachman & LaPointe, P.C.

(57) **CLAIM**

The ornamental design of a gasoline dispensary, as shown.

DESCRIPTION

FIG. 1 shows a perspective view of the ornamental design of a gasoline dispensary in accordance with the present invention.

FIG. 2 shows a front elevational view of the ornamental design of FIG. 1;

FIG. 3 shows a side elevational view of the ornamental design of FIG. 1;

FIG. 4 shows a top view of the ornamental design of FIG. 1;

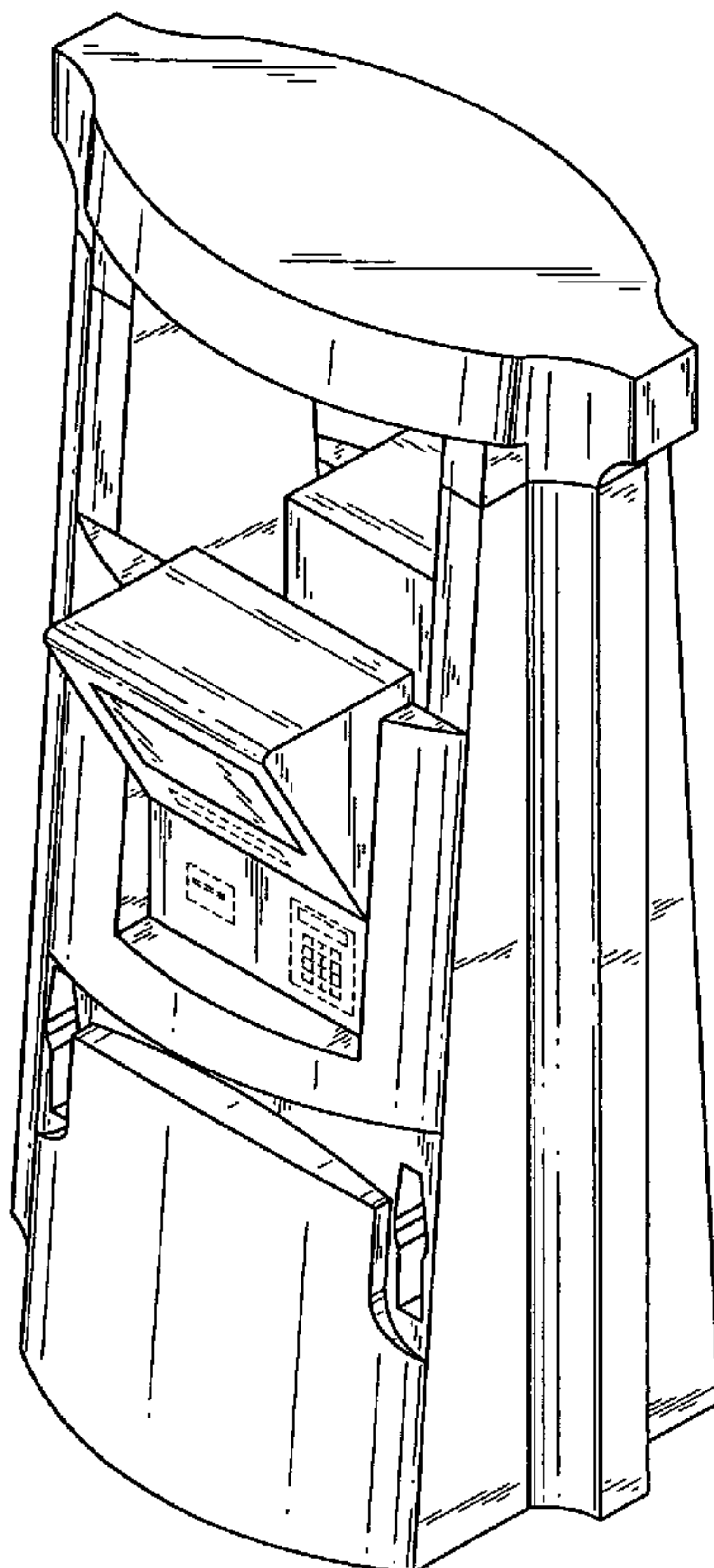
FIG. 5 is a perspective view of a second embodiment of the ornamental design of a gasoline dispensary of the present invention;

FIG. 6 shows a front elevational view of the ornamental design of FIG. 5;

FIG. 7 shows a side elevational view of the ornamental design of FIG. 5; and,

FIG. 8 shows a top view of the ornamental design of FIG. 5.

1 Claim, 4 Drawing Sheets



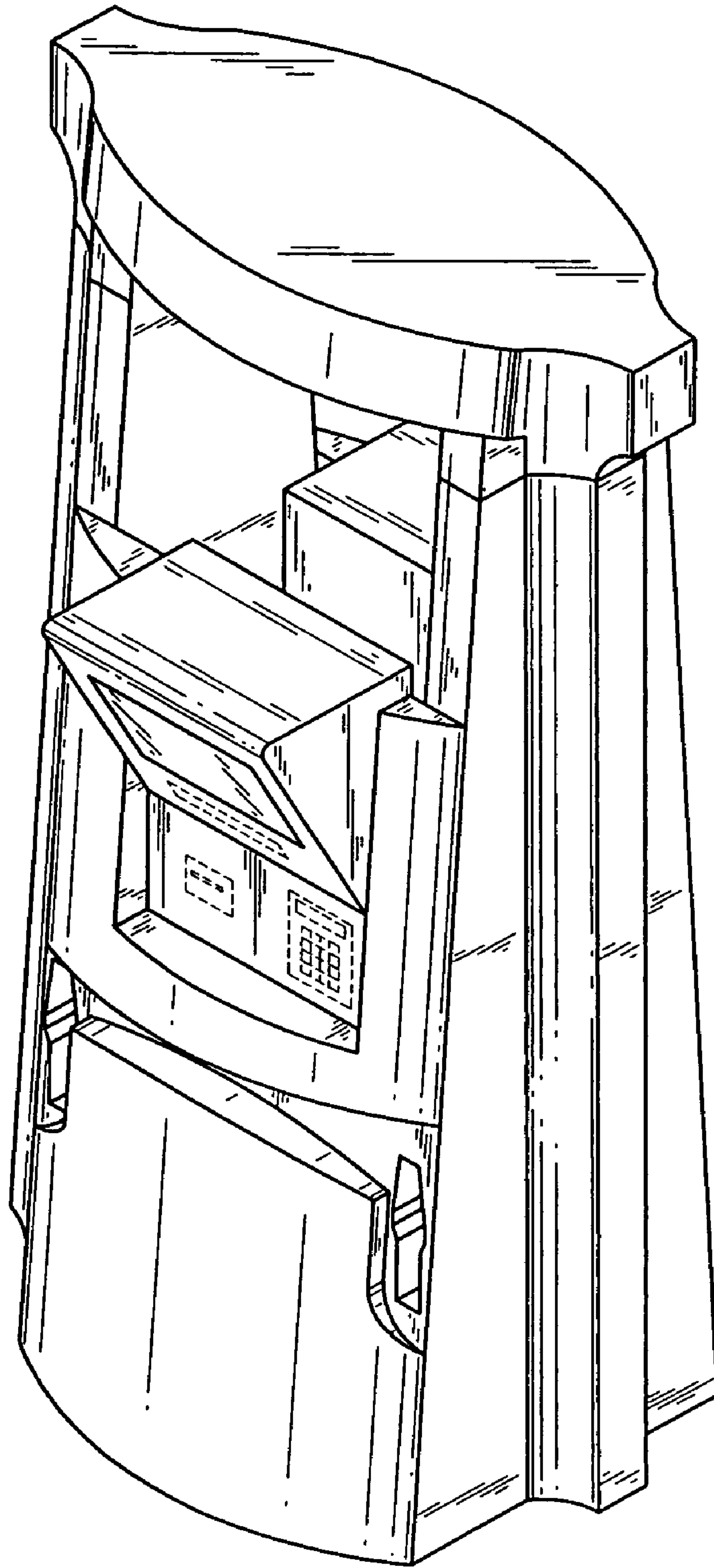


FIG. 1

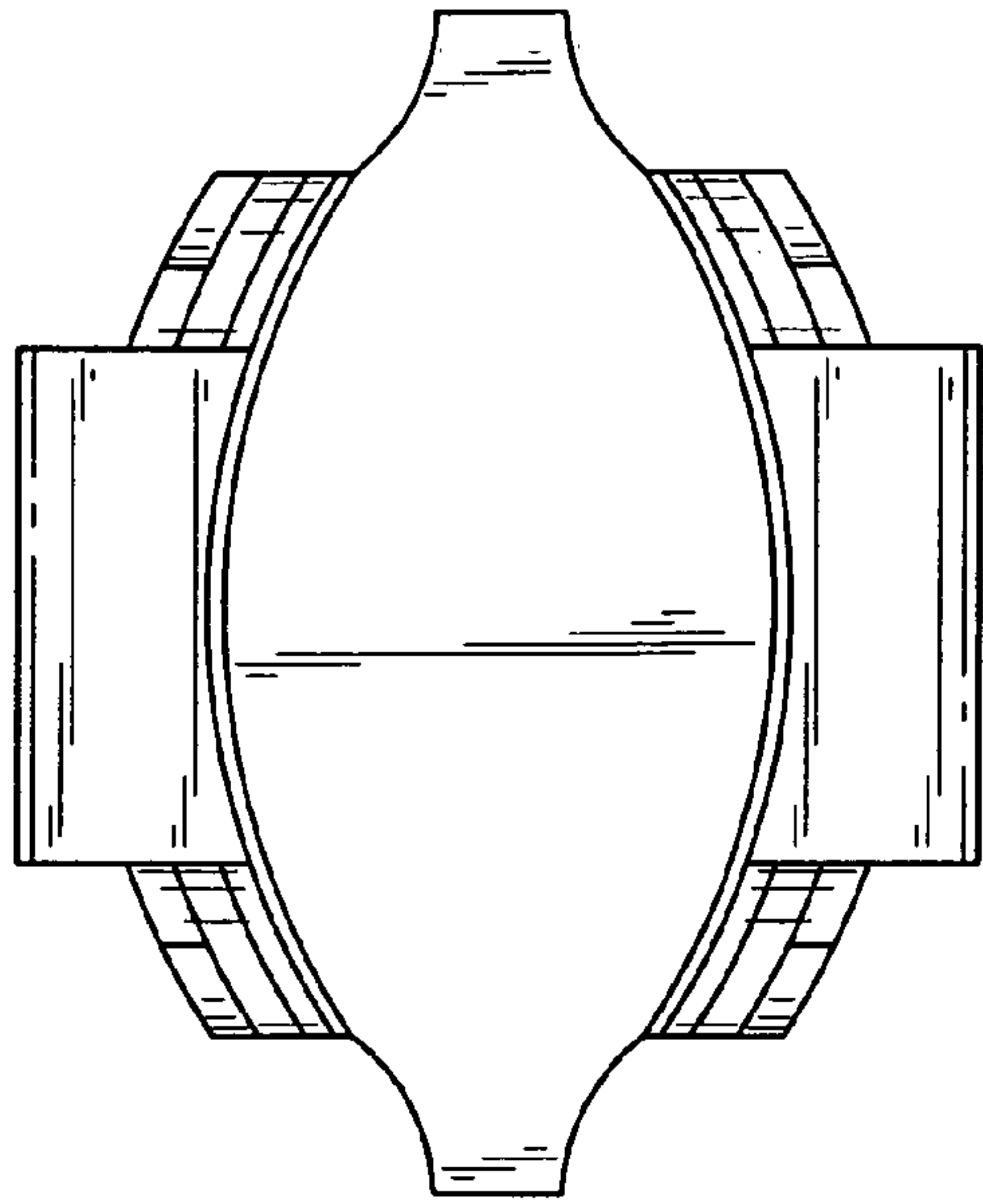


FIG. 4

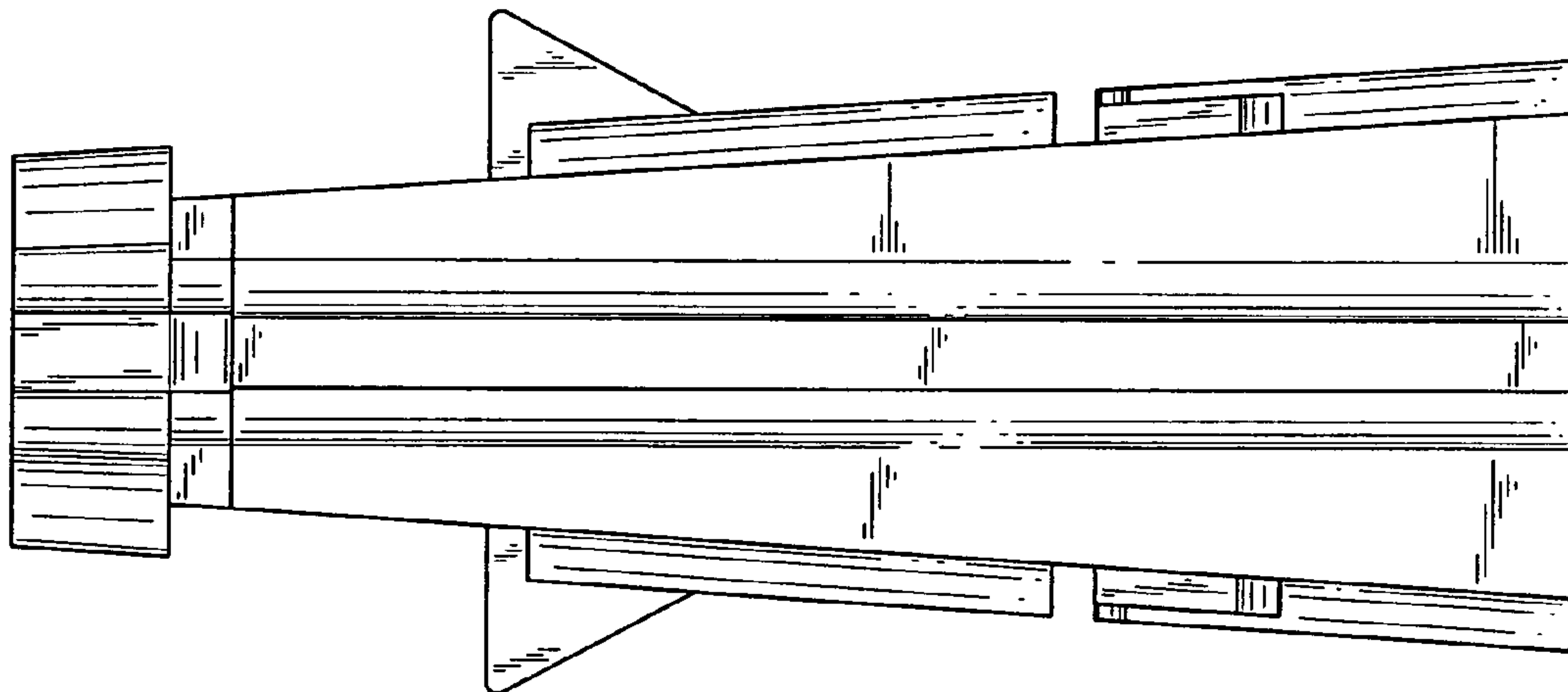


FIG. 3

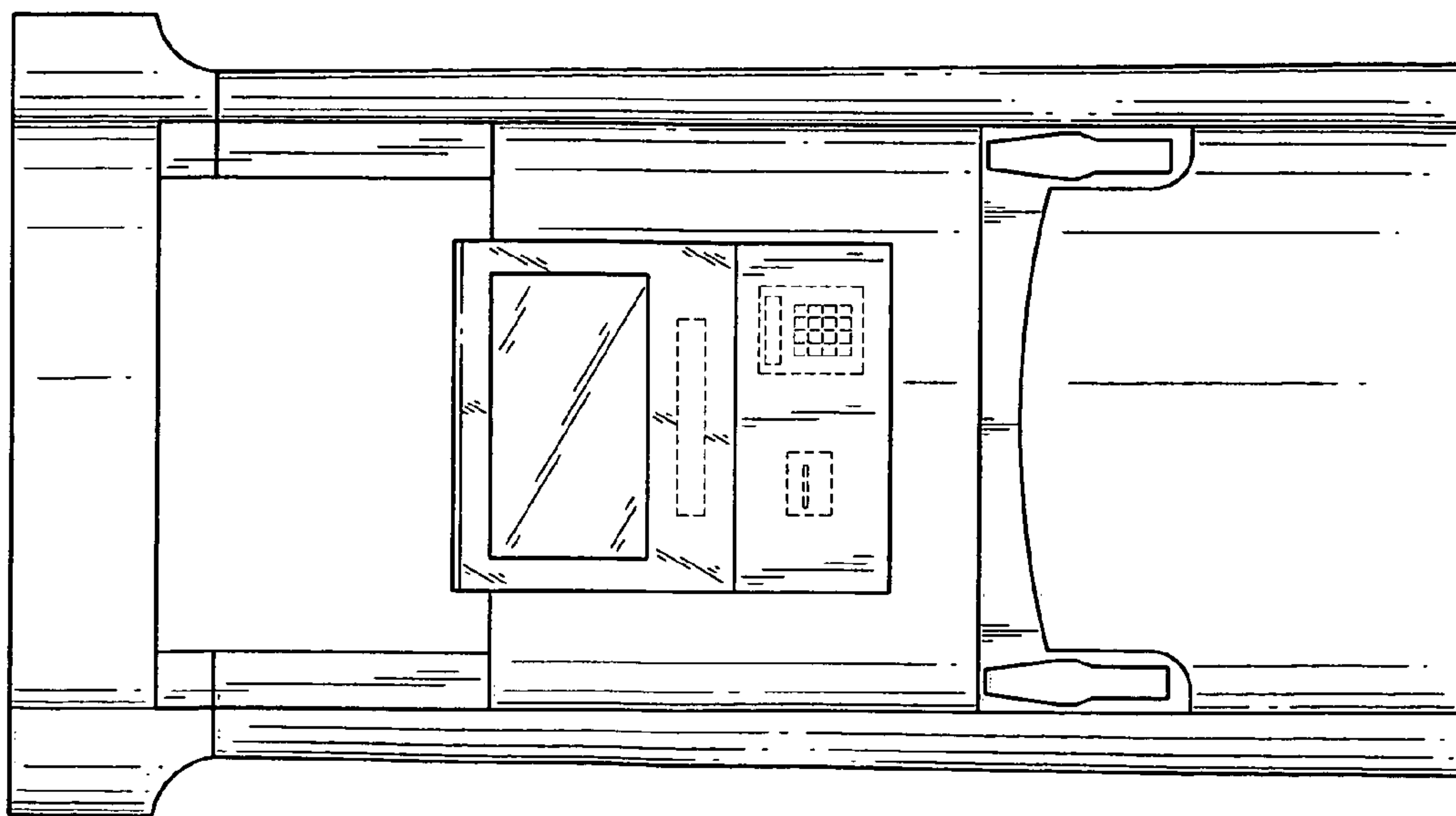


FIG. 2

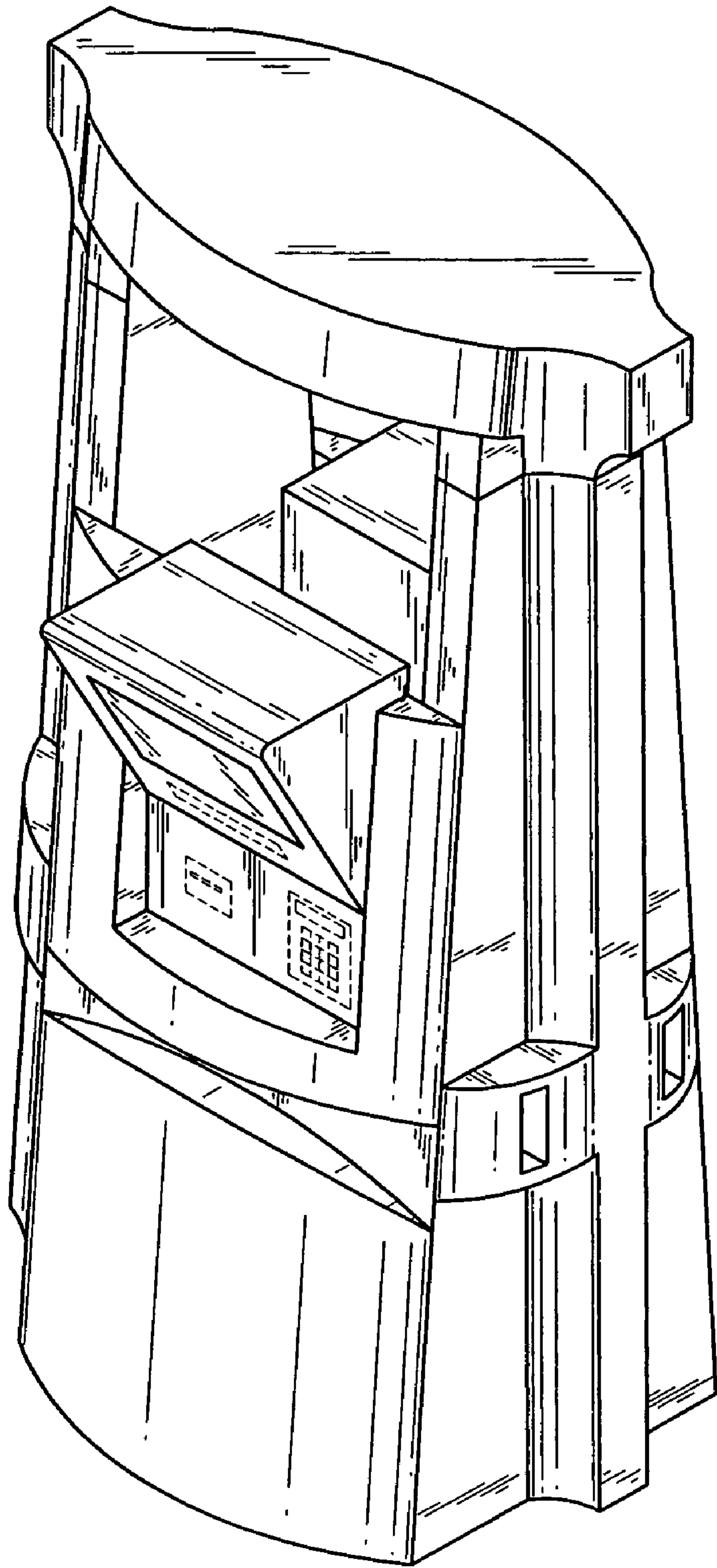


FIG. 5

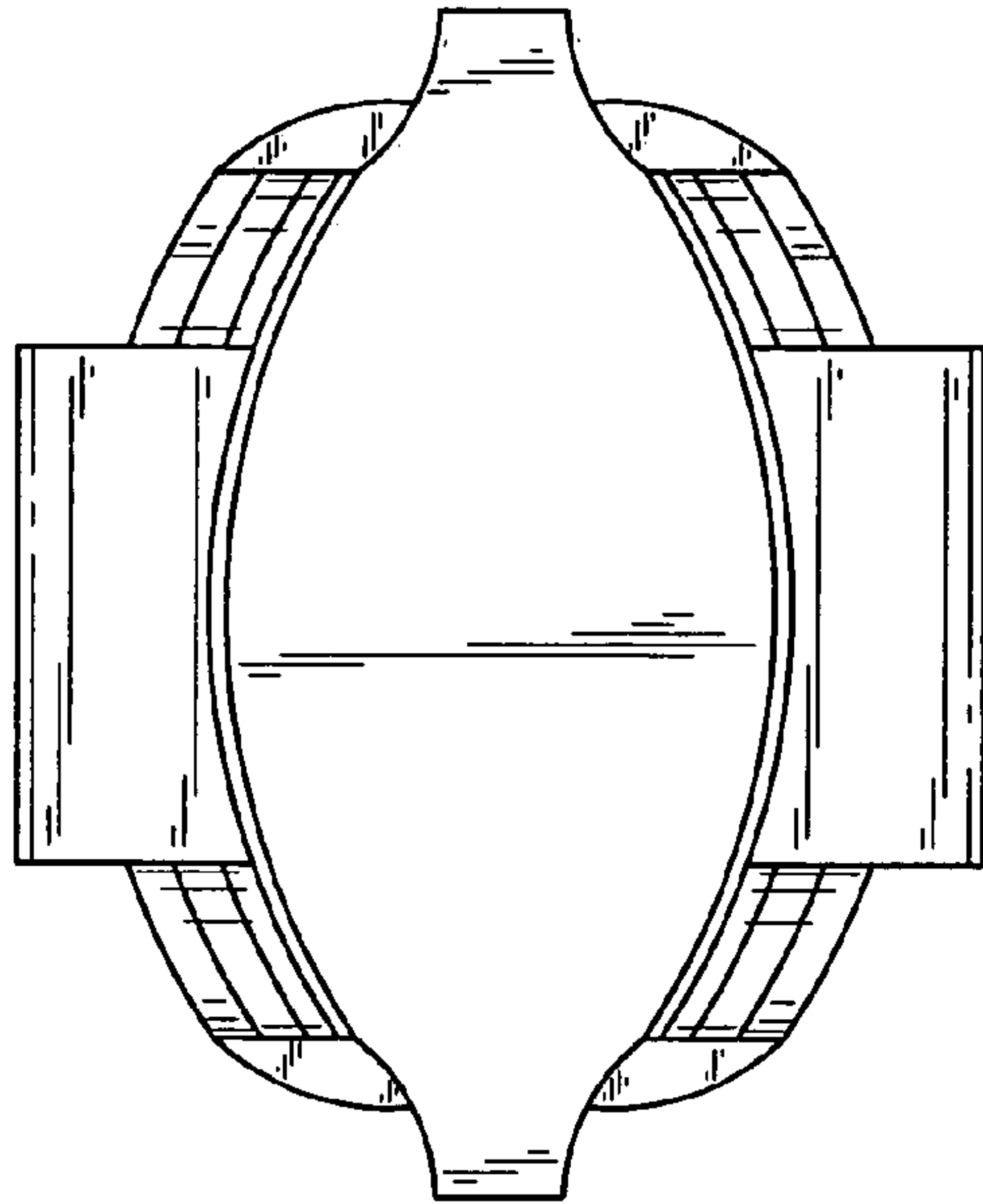


FIG. 8

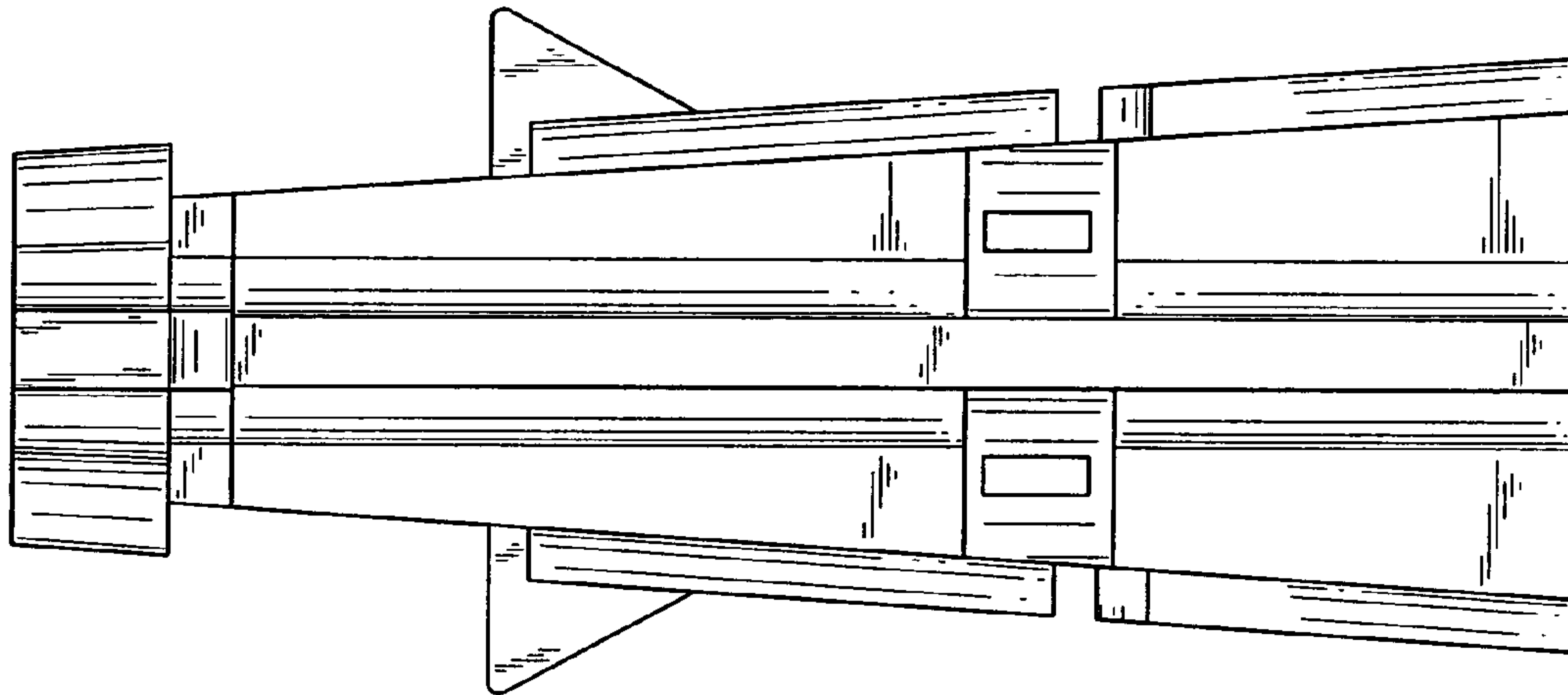


FIG. 7

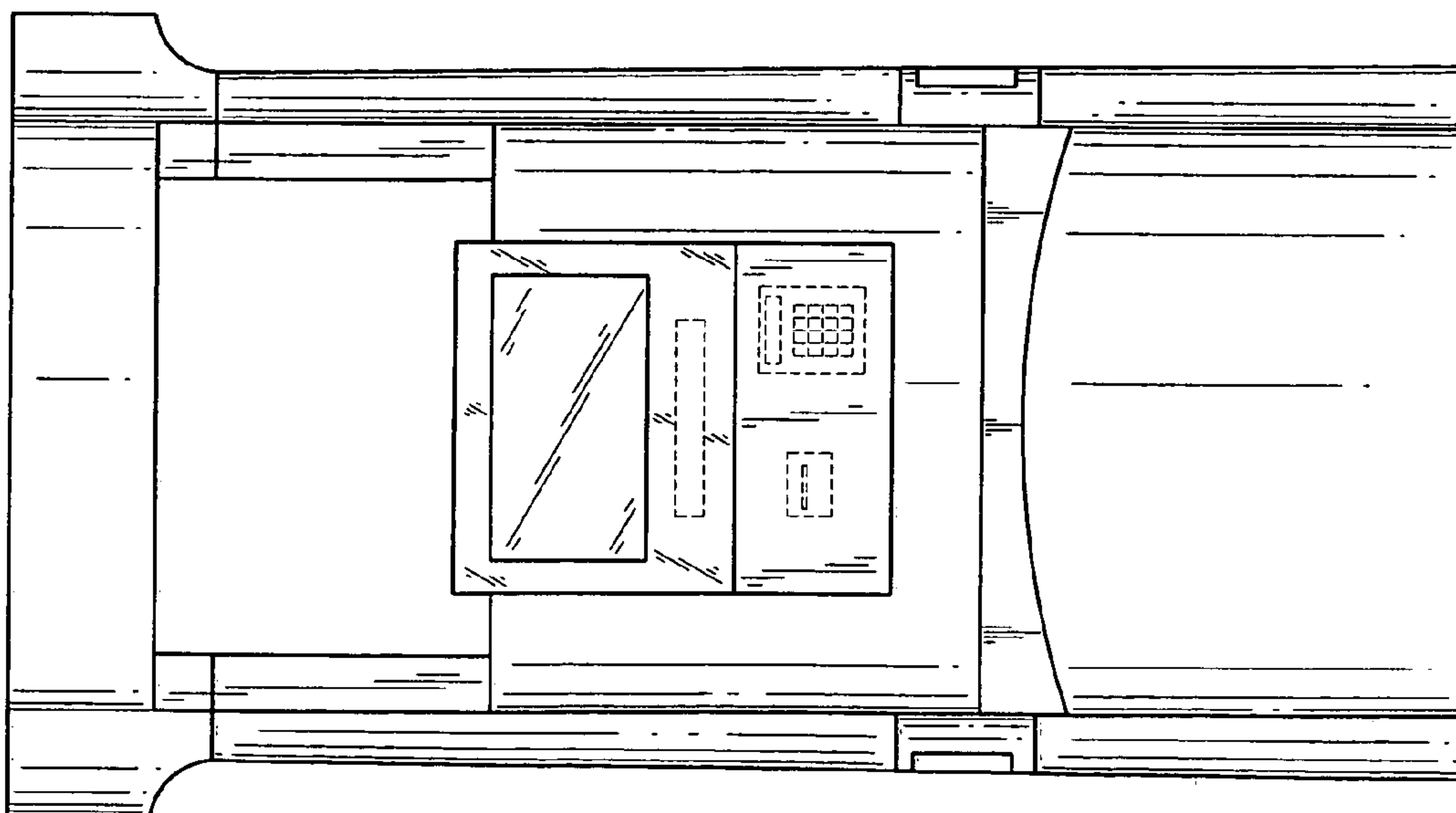


FIG. 6