



US00D553647S

(12) **United States Design Patent**
Steinfels et al.

(10) **Patent No.:** **US D553,647 S**

(45) **Date of Patent:** **** Oct. 23, 2007**

(54) **AIR COMPRESSOR**

D499,430 S * 12/2004 Buck D15/9
D499,747 S * 12/2004 Buck D15/9
D512,075 S * 11/2005 Buck D15/9

(75) Inventors: **Craig R. Steinfels**, Jackson, TN (US);
Stephen J. Vos, Jackson, TN (US)

* cited by examiner

(73) Assignee: **Black & Decker Inc.**, Newark, DE
(US)

Primary Examiner—Ralf Seifert

(**) Term: **14 Years**

(74) *Attorney, Agent, or Firm*—Michael P. Leary; Charles E.
Yocum; Adan Ayala

(21) Appl. No.: **29/250,452**

(57) **CLAIM**

(22) Filed: **Nov. 15, 2006**

The ornamental design for an air compressor, as shown and
described.

(51) **LOC (8) Cl.** **15-02**

(52) **U.S. Cl.** **D15/9**

(58) **Field of Classification Search** D15/7-9;
D23/232, 231; 417/359, 415-416, 410.1,
417/321, 265, 405

See application file for complete search history.

DESCRIPTION

FIG. 1 is a right/front perspective view of an air compressor
showing our new design.

FIG. 2 is a front view thereof.

FIG. 3 is a rear view thereof.

FIG. 4 is a right view thereof.

FIG. 5 is a left side view thereof.

FIG. 6 is a top side view thereof; and,

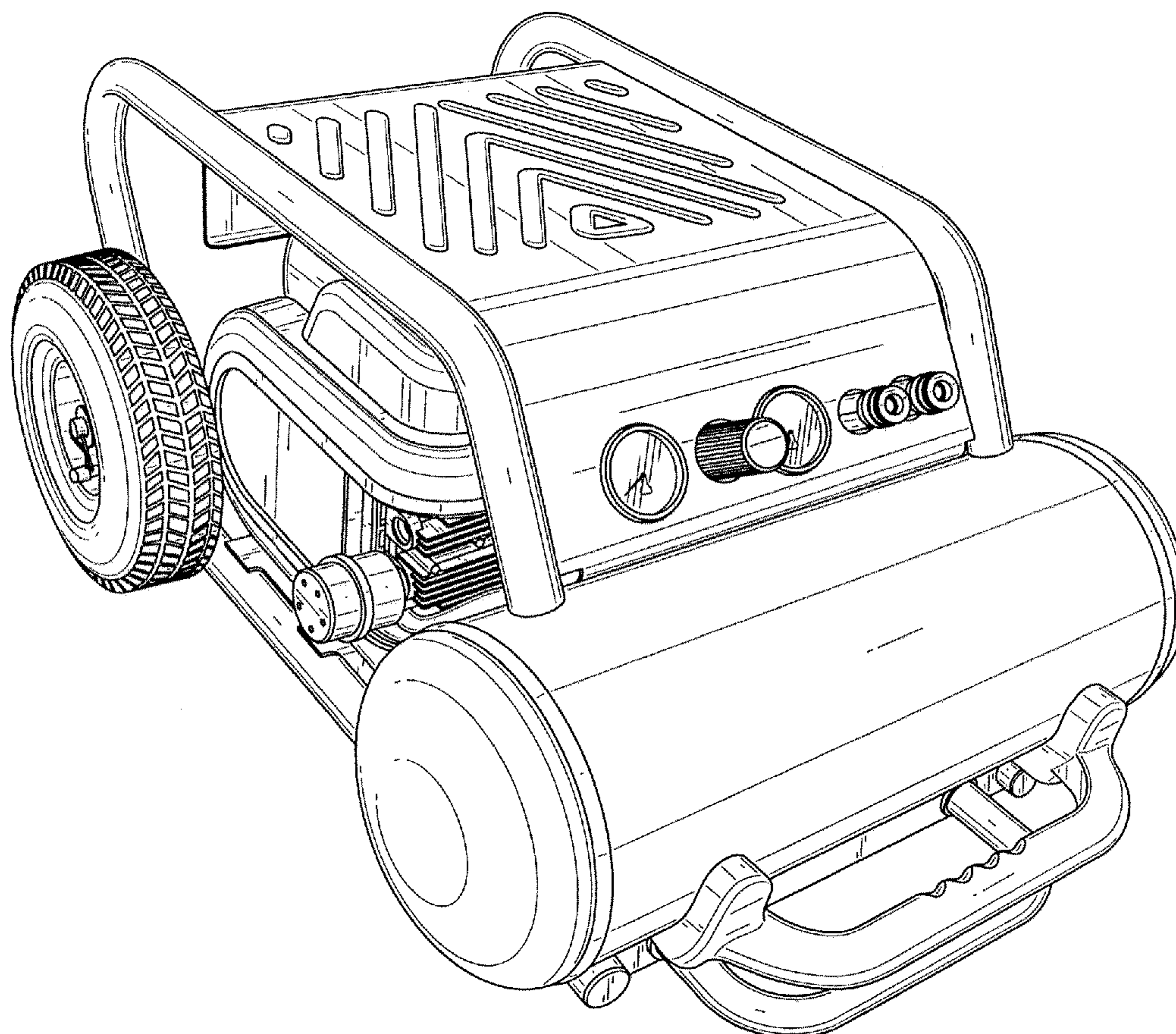
FIG. 7 is a bottom view thereof.

(56) **References Cited**

U.S. PATENT DOCUMENTS

D482,371 S * 11/2003 Buck D15/9
D487,096 S * 2/2004 Buck D15/9
D487,097 S * 2/2004 Buck D15/9
D491,197 S * 6/2004 Stilwell et al. D15/9
D499,120 S * 11/2004 Buck D15/9

1 Claim, 7 Drawing Sheets



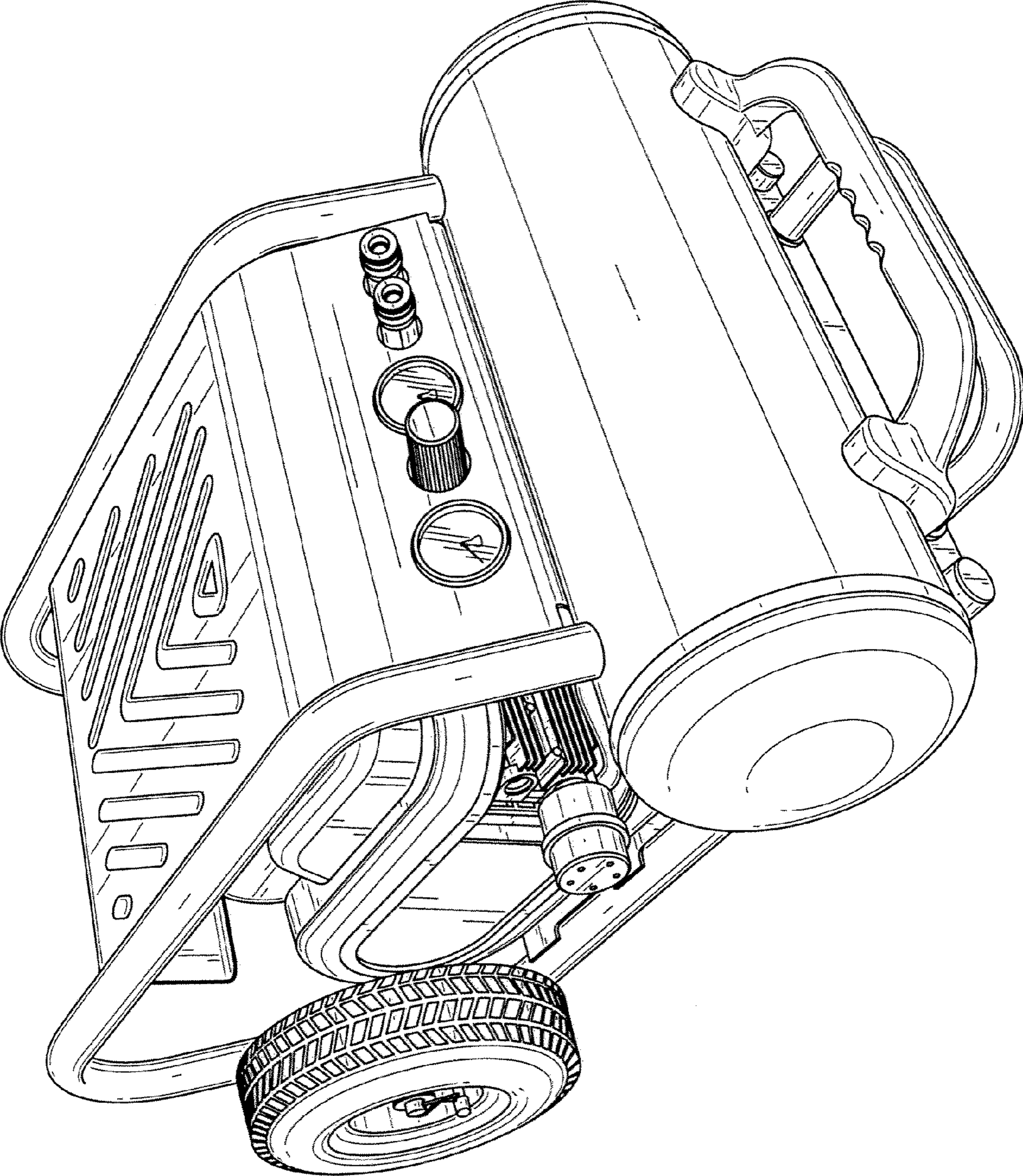


FIG. 1

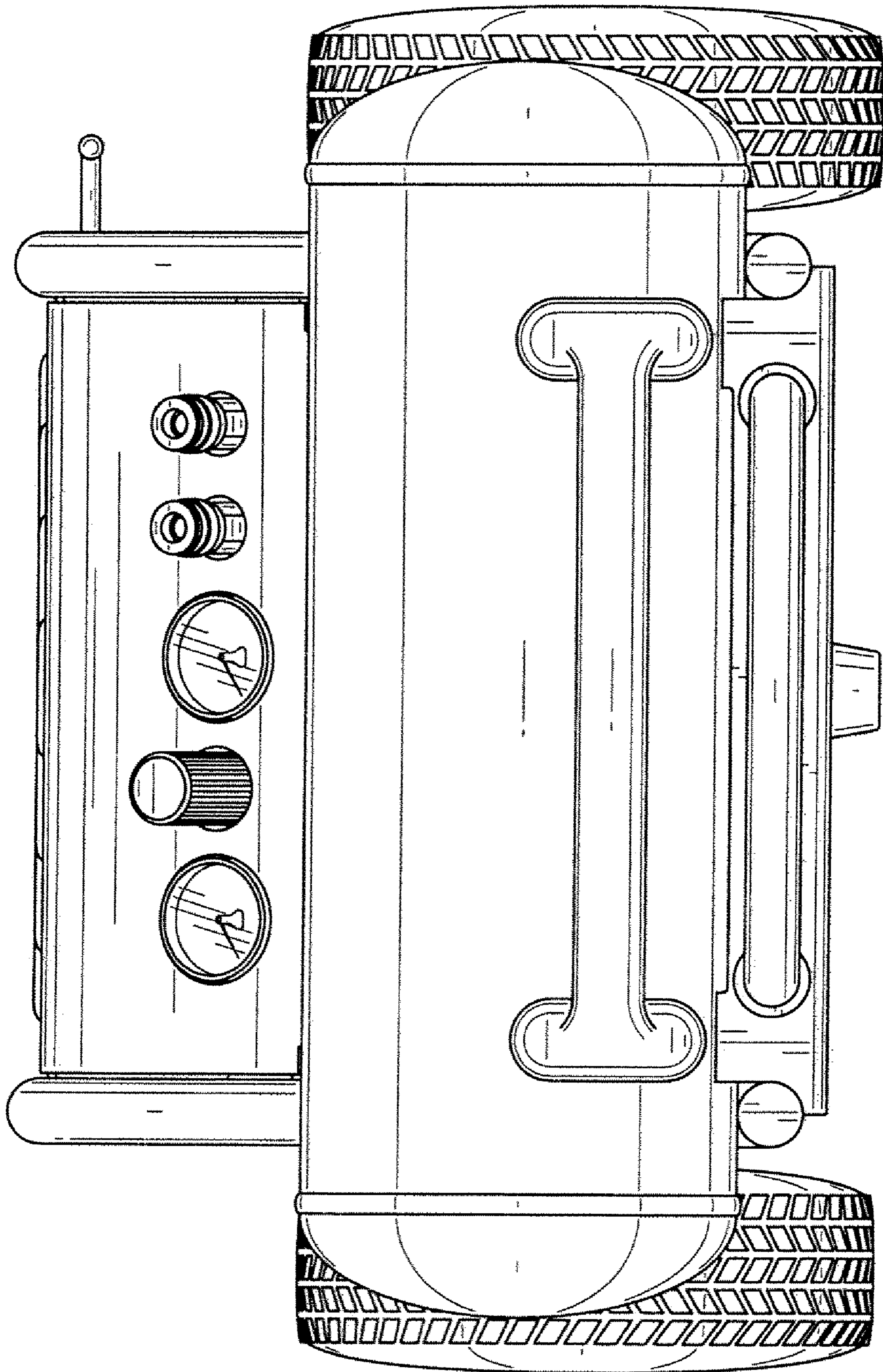


FIG. 2

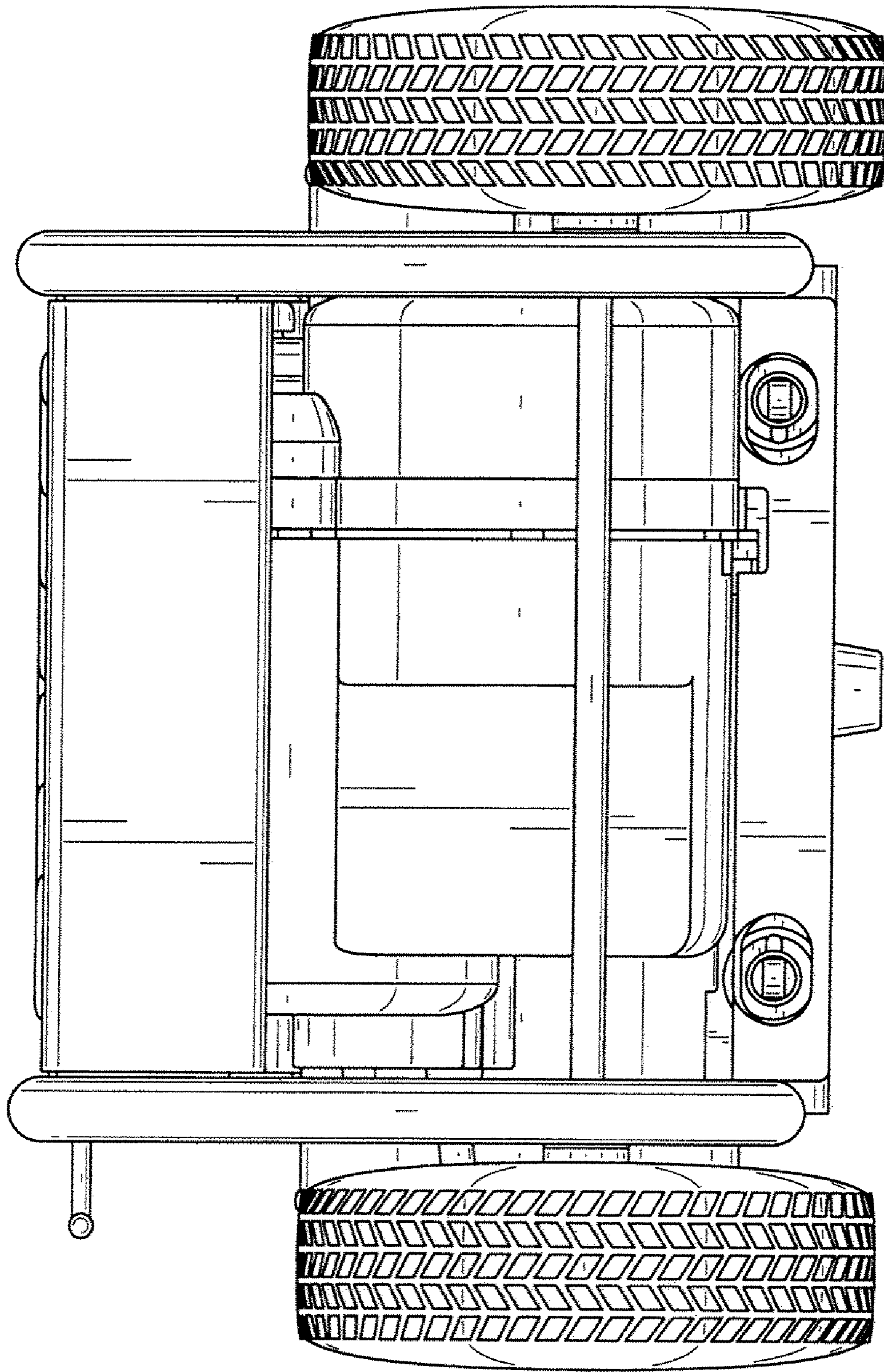


FIG. 3

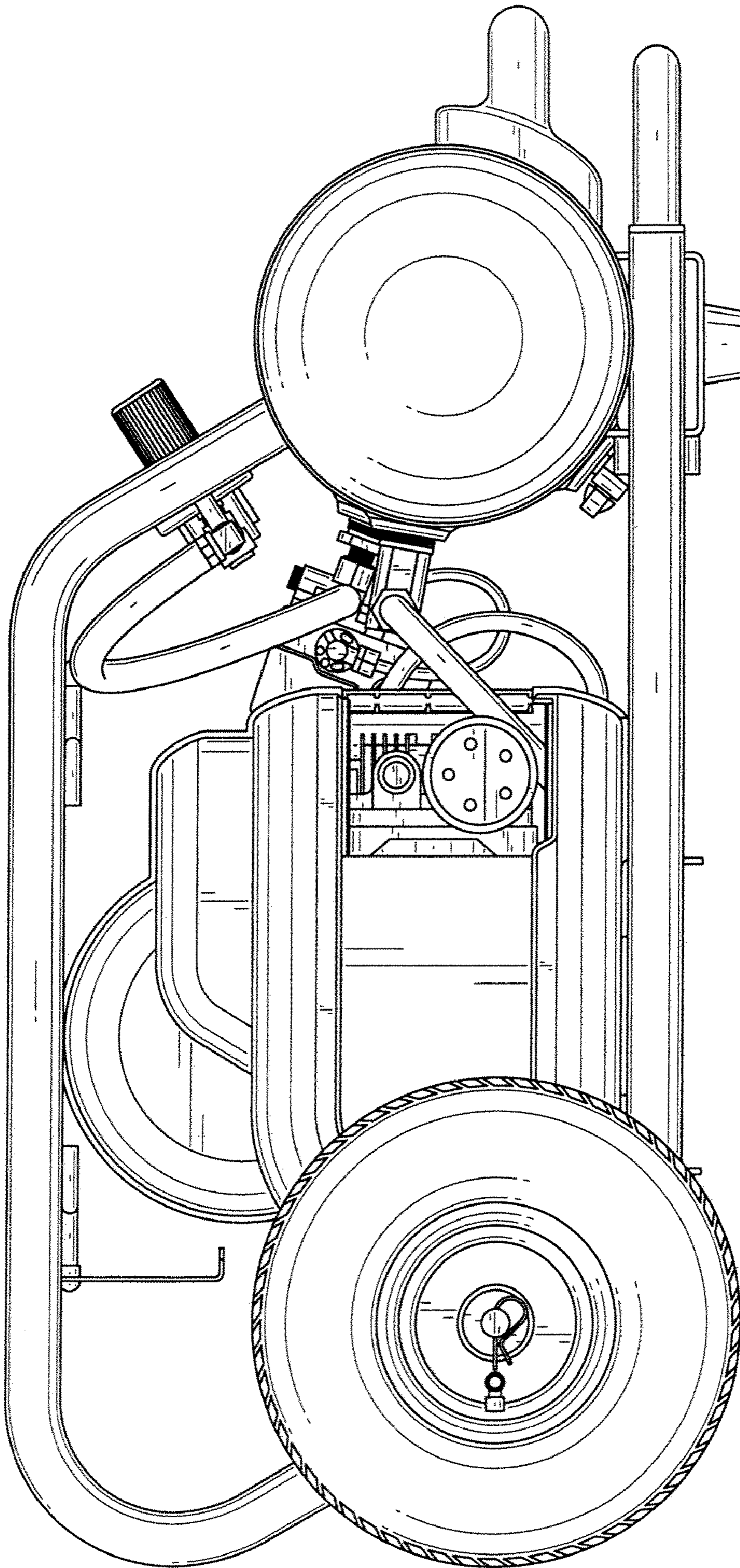


FIG. 4

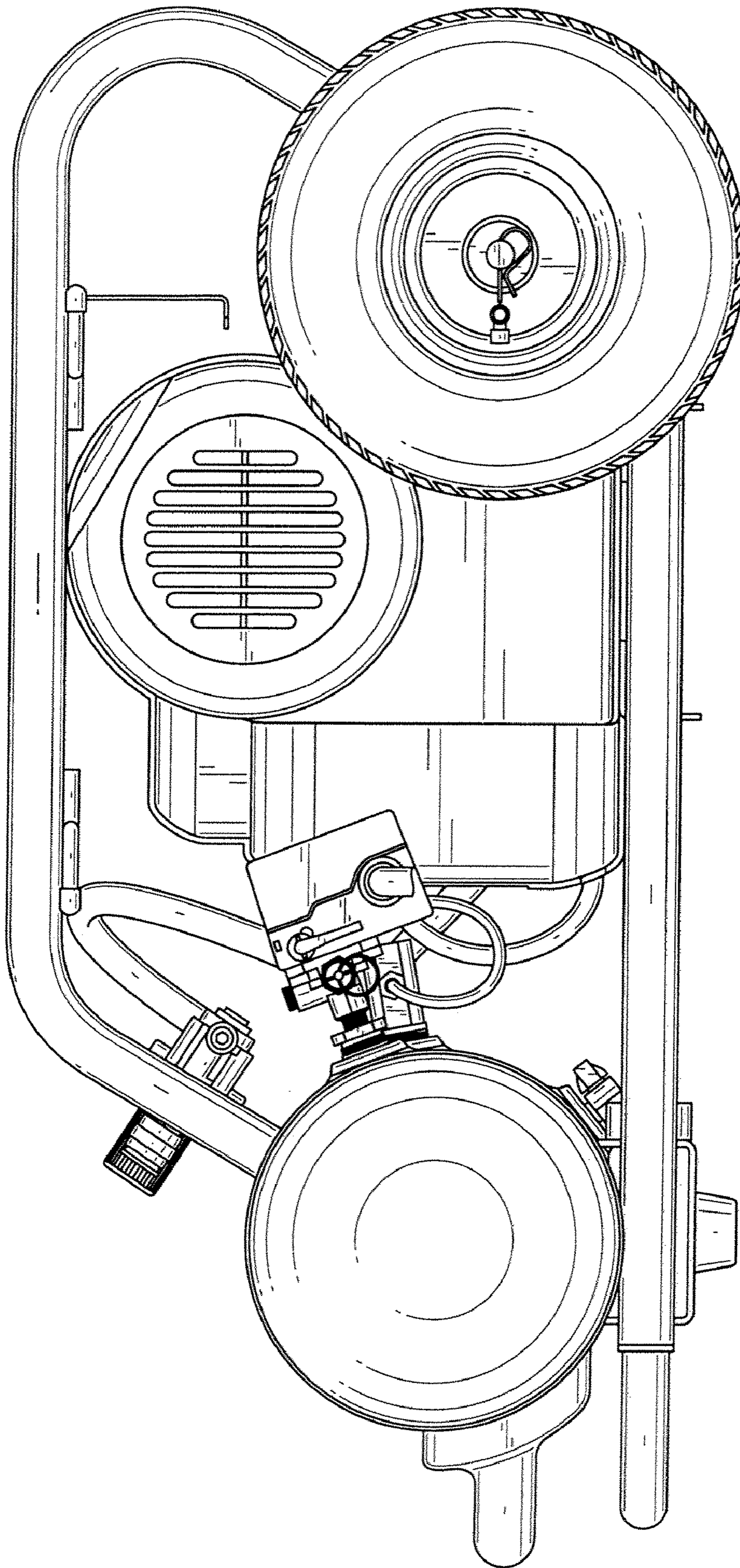


FIG. 5

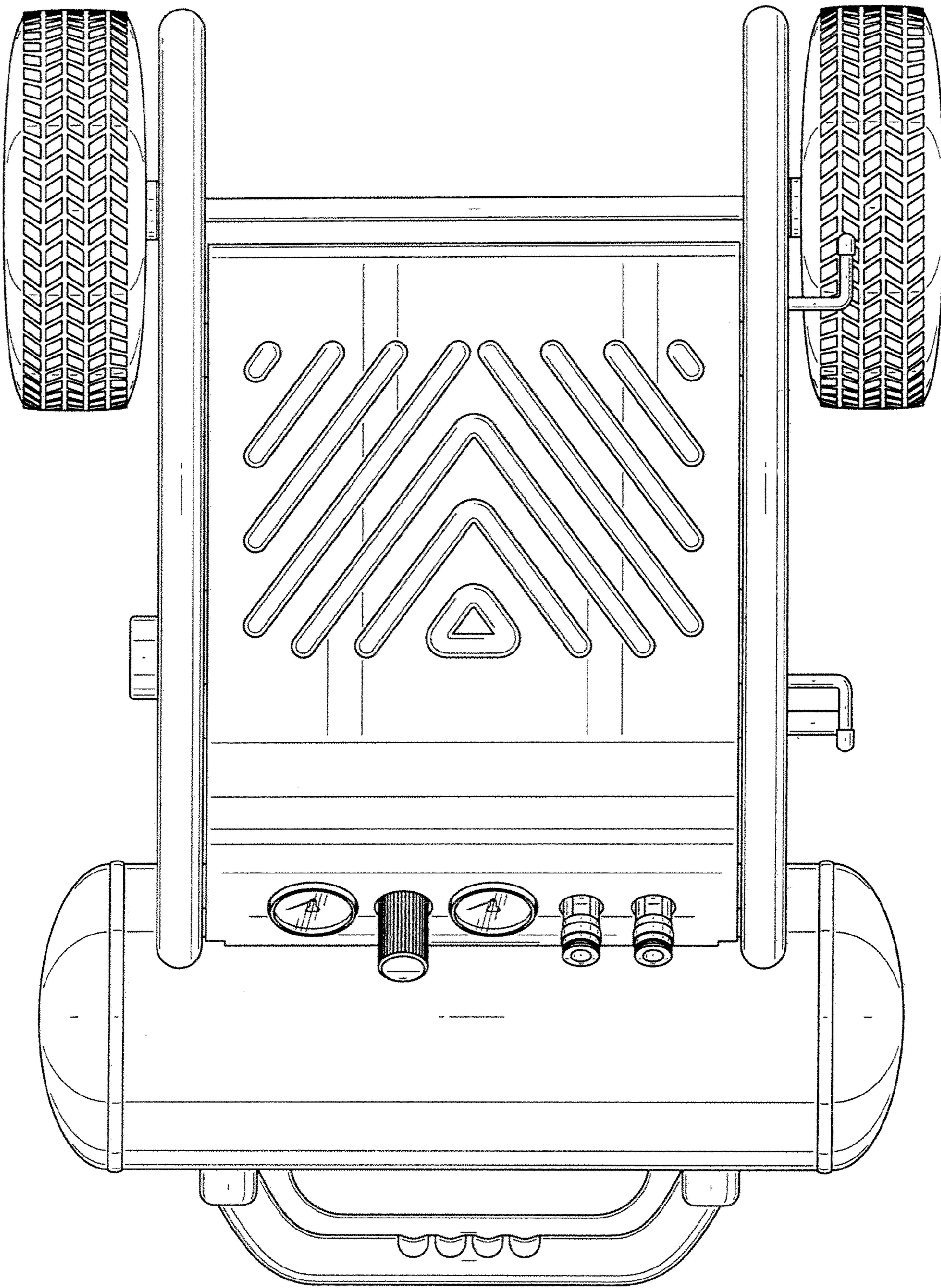


FIG. 6

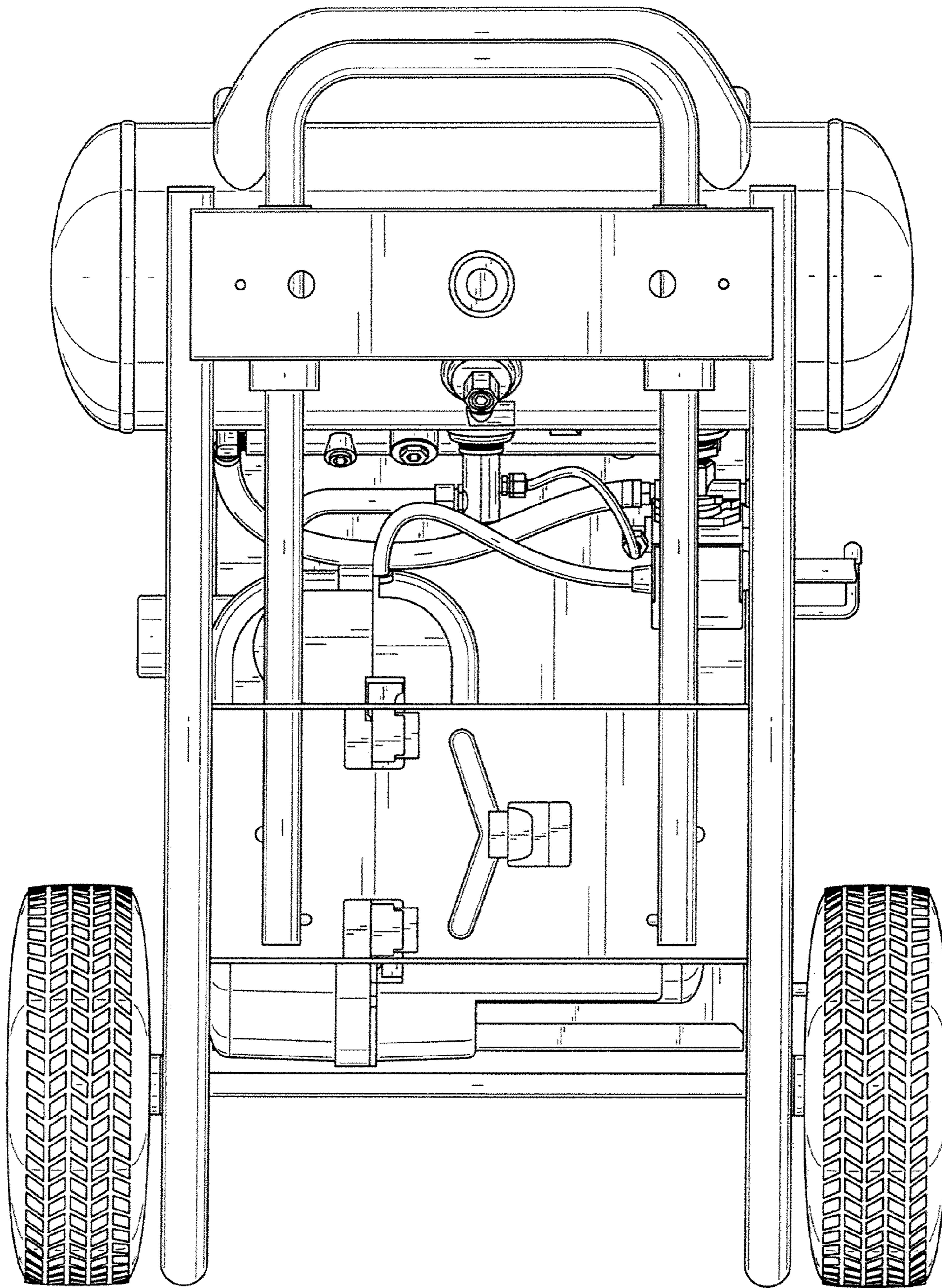


FIG. 7