



US00D553646S

(12) **United States Design Patent**
Wu

(10) **Patent No.:** **US D553,646 S**

(45) **Date of Patent:** **** Oct. 23, 2007**

(54) **AIR PUMP**

D486,159 S * 2/2004 Poon D15/7
D487,752 S * 3/2004 Tsai D15/7
D491,196 S * 6/2004 Poon D15/7

(76) Inventor: **Hsin-Tsai Wu**, 1F, No. 19, Alley 3,
Lane 106, Sec. 3, Min-Chuan E. Road,
Taipei City (TW)

* cited by examiner

(**) Term: **14 Years**

Primary Examiner—Ralf Seifert
(74) *Attorney, Agent, or Firm*—Baker Botts L.L.P.

(21) Appl. No.: **29/232,648**

(57) **CLAIM**

(22) Filed: **Jun. 23, 2005**

The ornamental design for air pump, as shown and described.

(51) **LOC (8) Cl.** **15-02**

(52) **U.S. Cl.** **D15/7**

(58) **Field of Classification Search** D15/7-9;
D23/232, 231; 417/359, 415-416, 410.1,
417/321, 265, 405

See application file for complete search history.

DESCRIPTION

FIG. 1 is a perspective view of air pump showing my new design;

FIG. 2 is a front elevational view thereof;

FIG. 3 is a rear elevational view thereof;

FIG. 4 is a left side elevational view thereof;

FIG. 5 is a right side elevational view thereof;

FIG. 6 is a top plan view thereof; and,

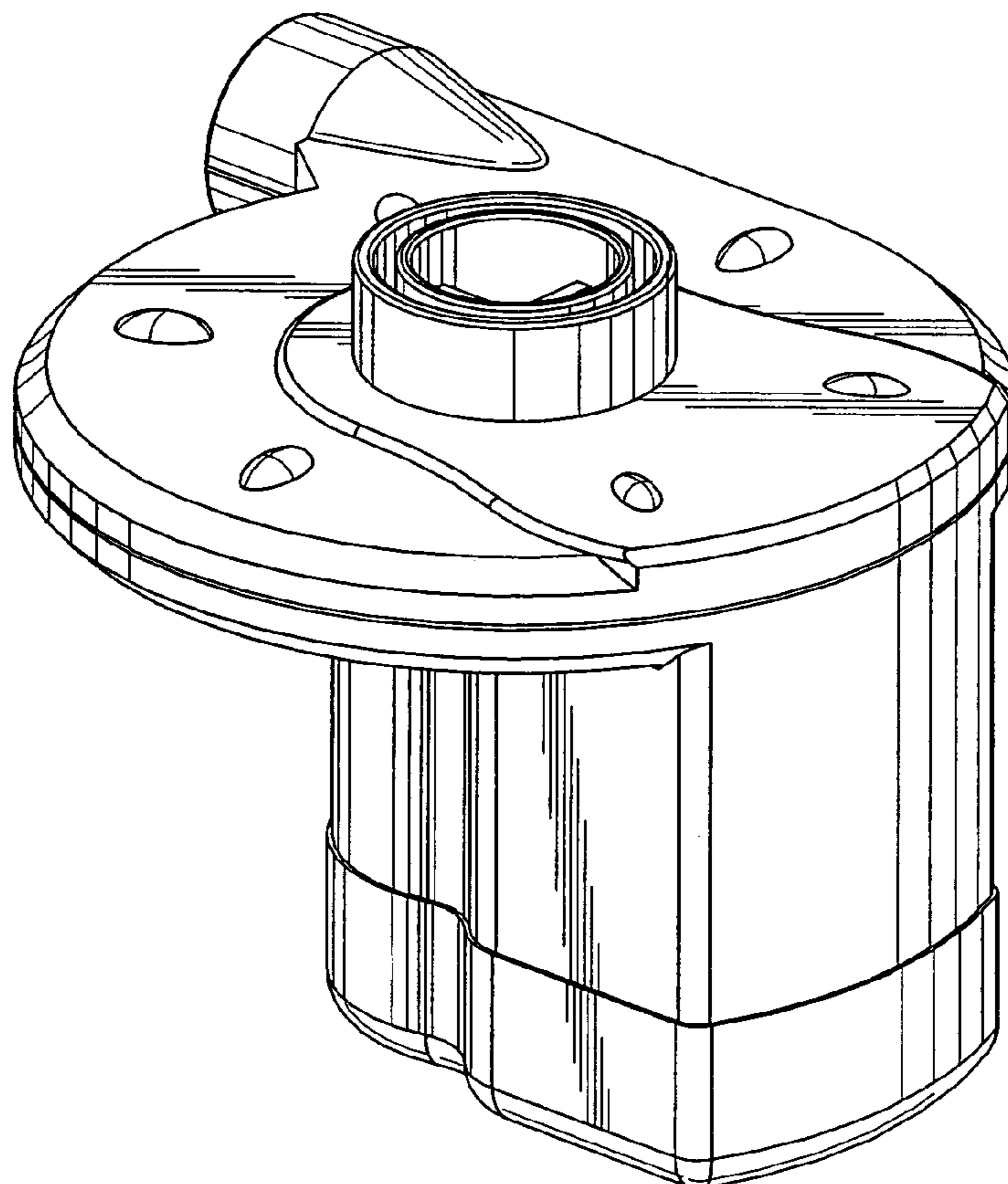
FIG. 7 is a bottom plan view thereof.

(56) **References Cited**

U.S. PATENT DOCUMENTS

D425,914 S * 5/2000 Tsai D15/7
D435,049 S * 12/2000 Tsai D15/7
D453,342 S * 2/2002 Wu D15/7
D453,524 S * 2/2002 Wu D15/7
D479,722 S * 9/2003 Poon D15/7

1 Claim, 4 Drawing Sheets



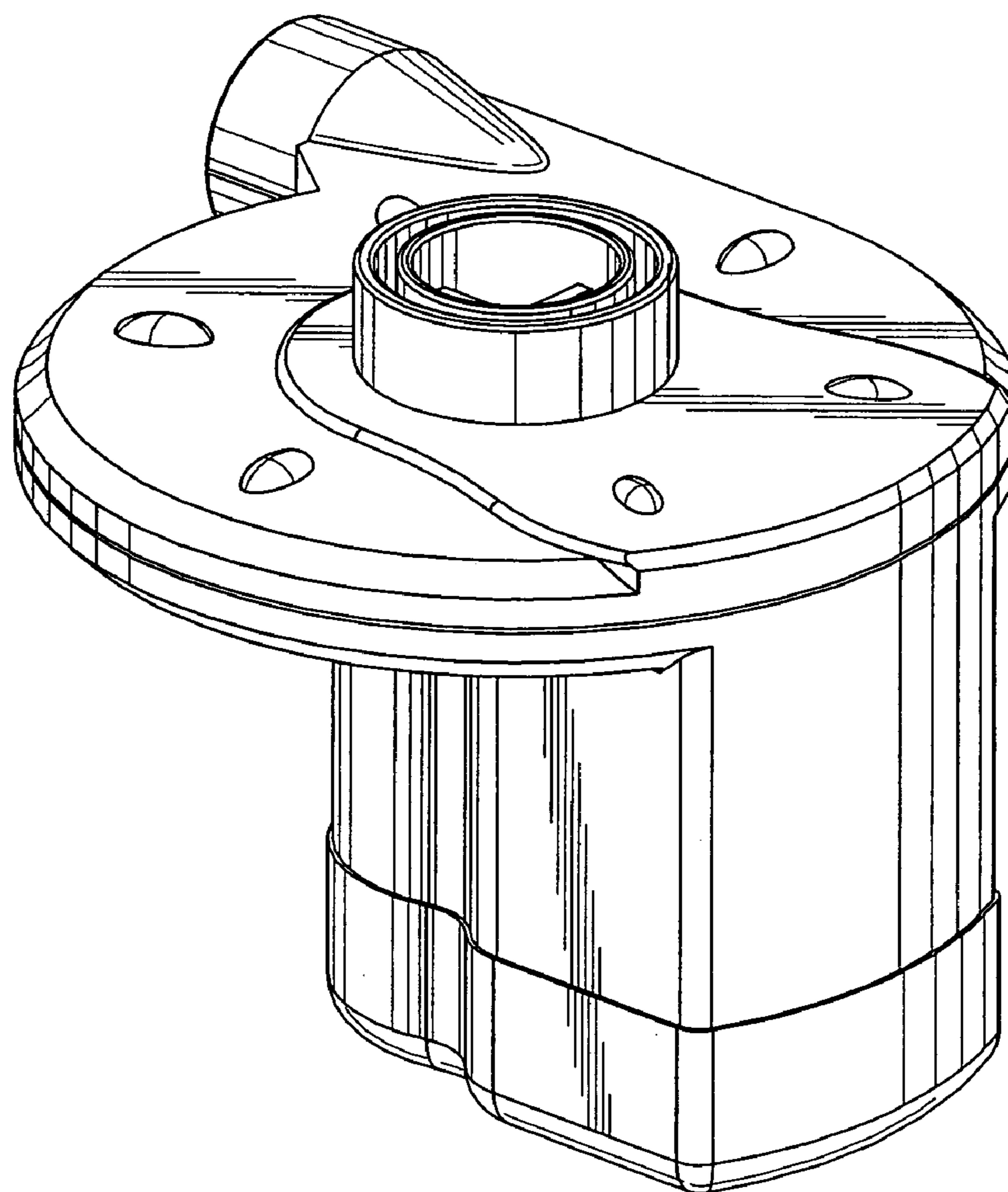


FIG. 1

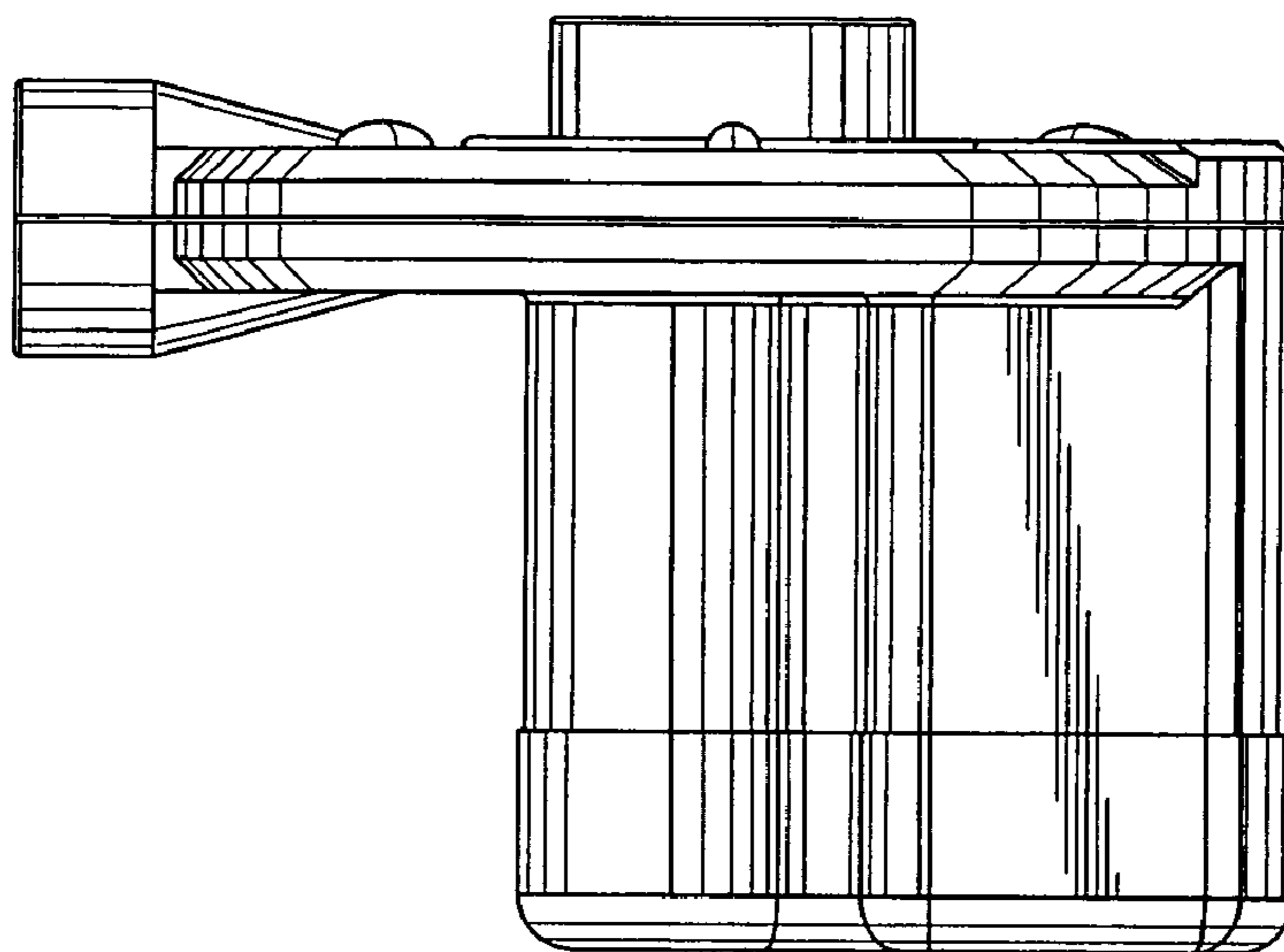


FIG. 2

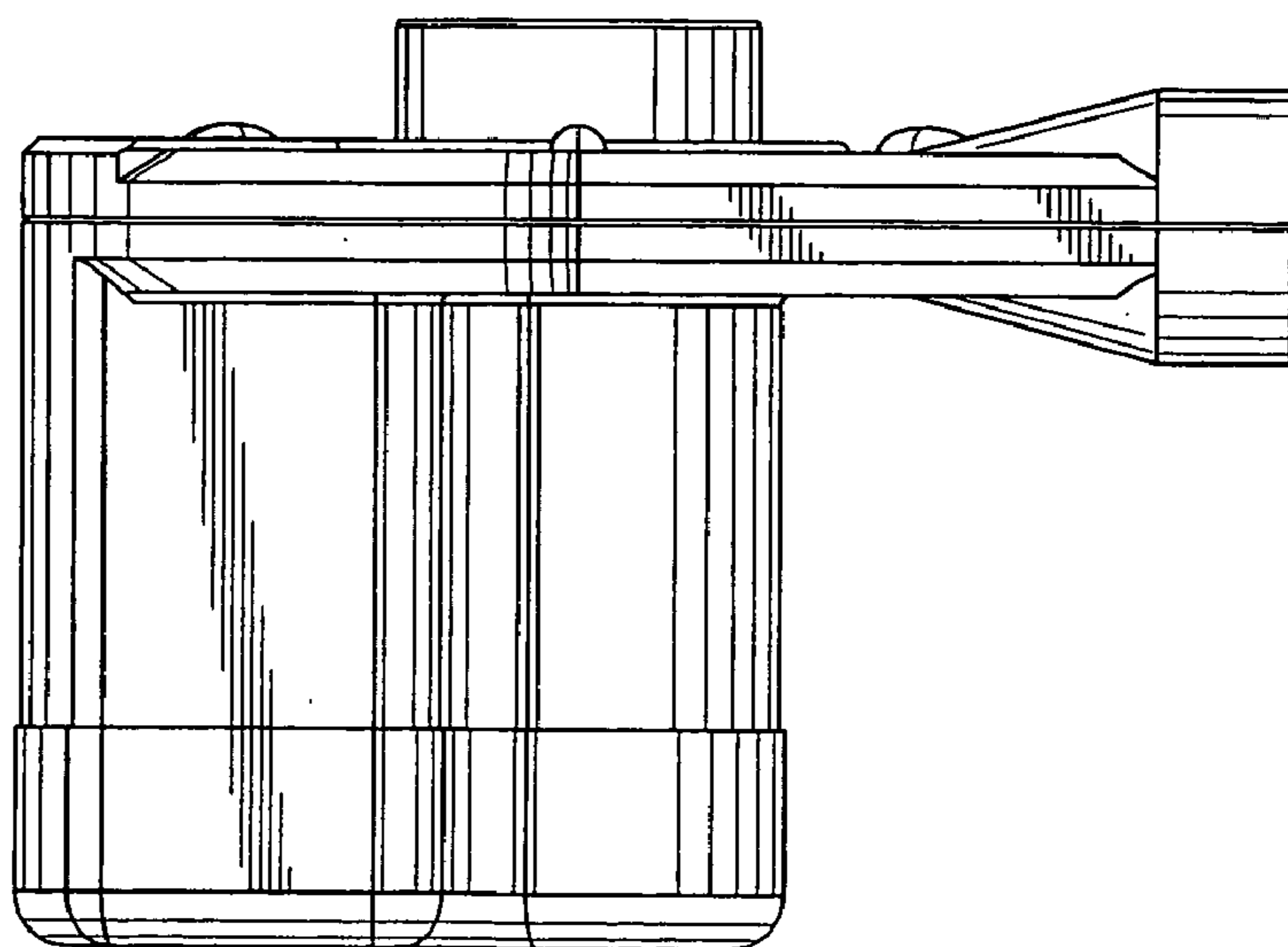


FIG. 3

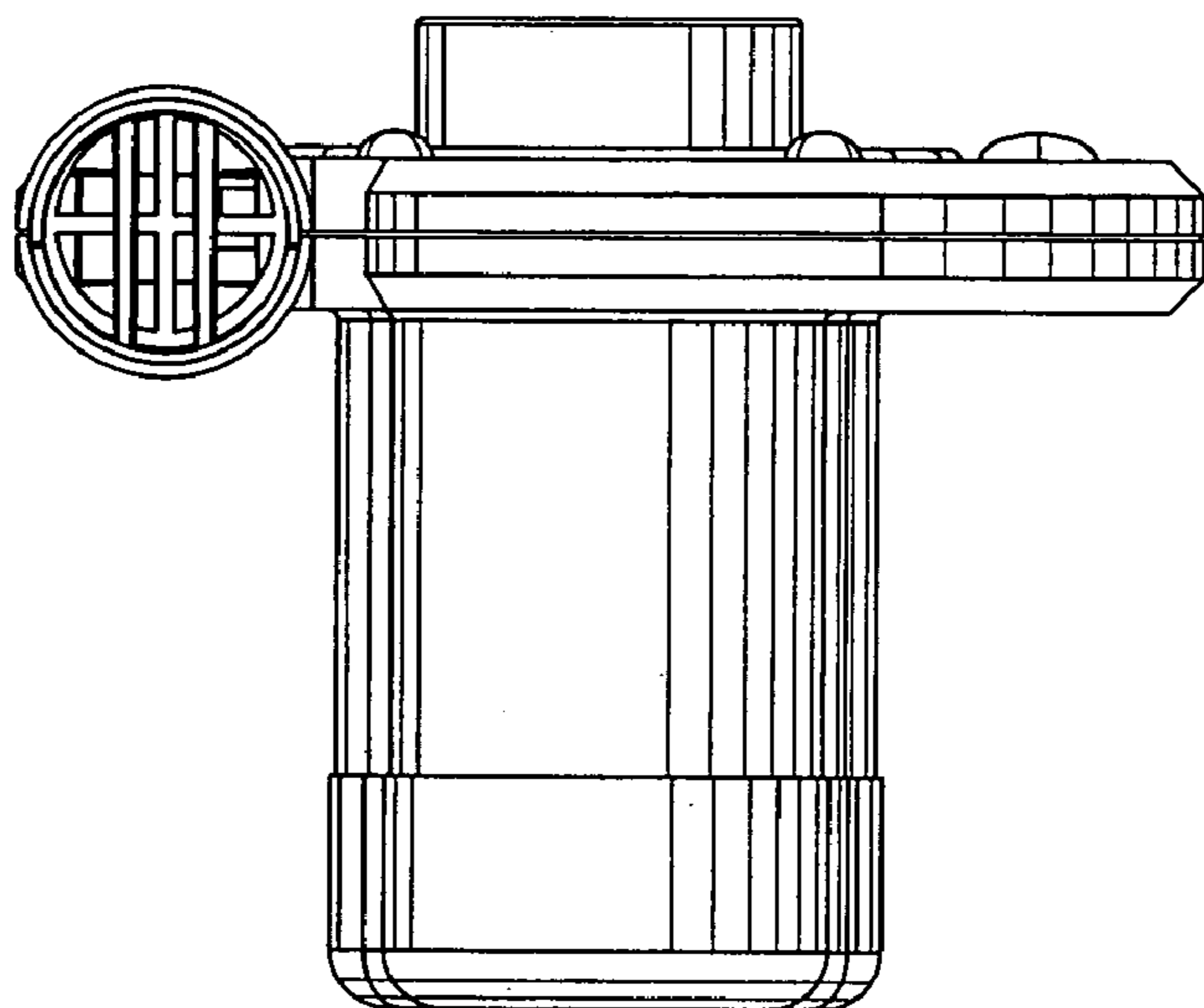


FIG. 4

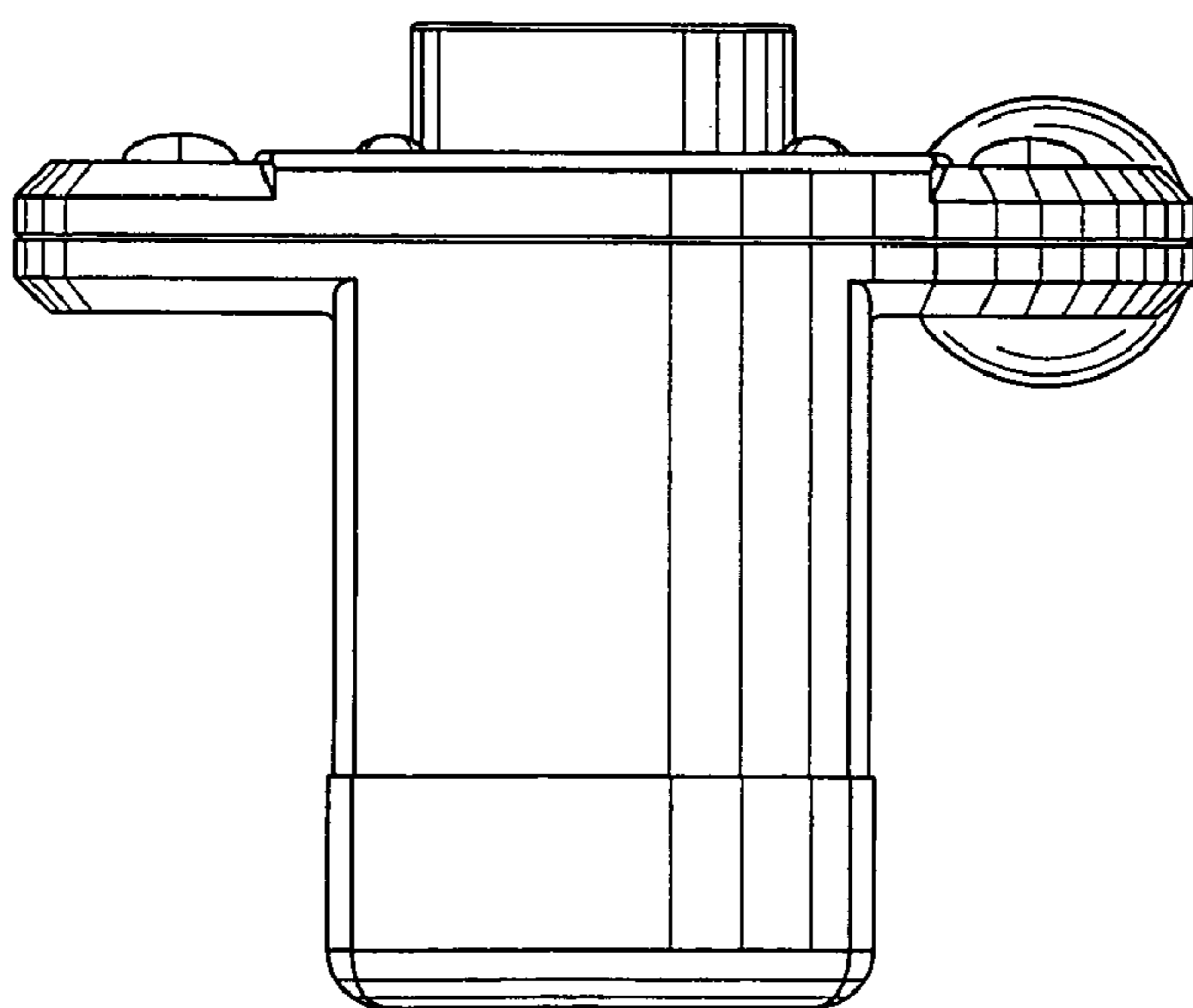


FIG. 5

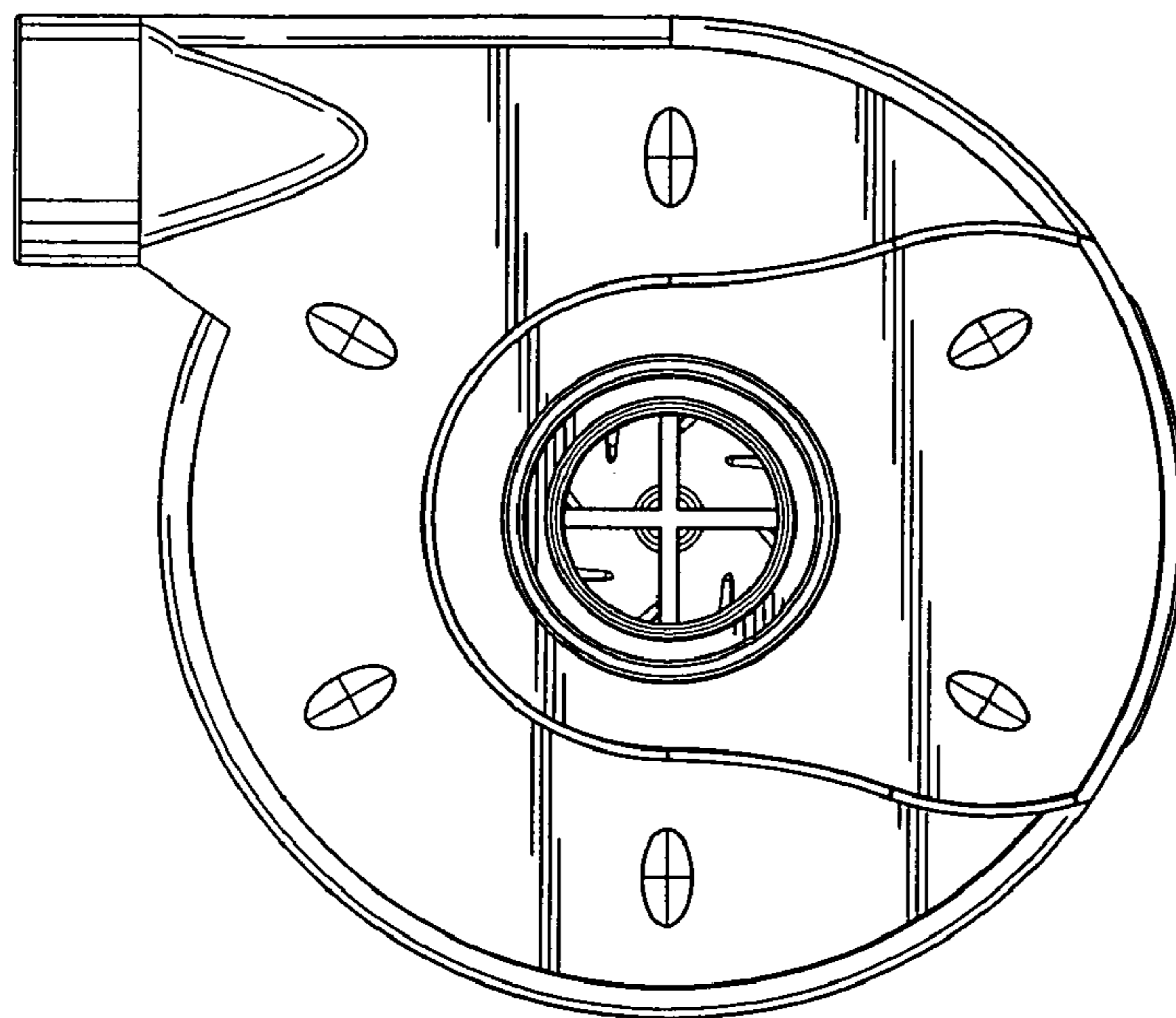


FIG. 6

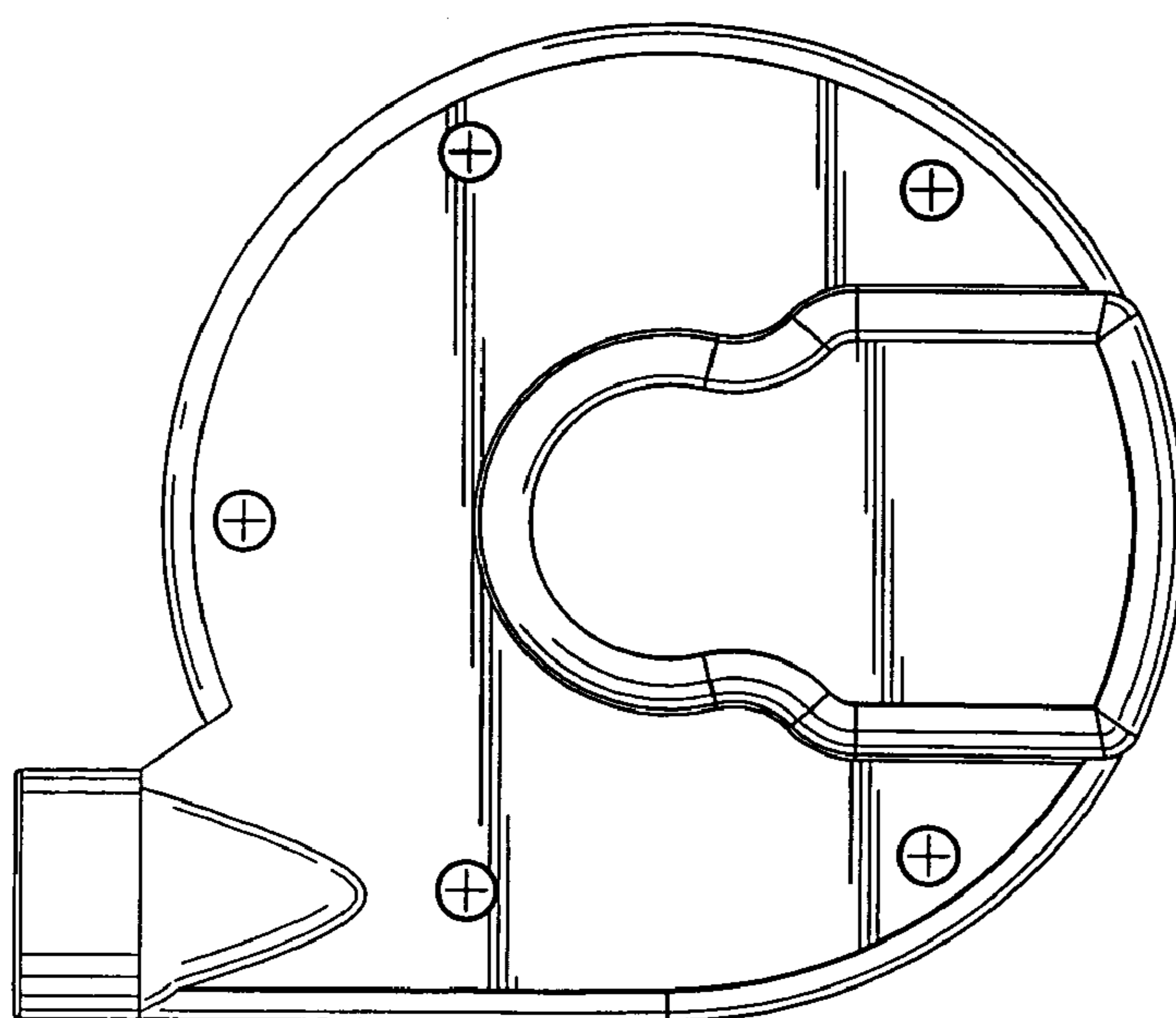


FIG. 7