

US00D553645S

(12) **United States Design Patent** (10) **Patent No.:** **US D553,645 S**
Drew et al. (45) **Date of Patent:** **** Oct. 23, 2007**

(54) **ENGINE COVER**

(75) Inventors: **Christopher J. Drew**, New Berlin, WI (US); **Charles Lasky**, Grafton, WI (US); **Paul A. Leech**, Fox Point, WI (US); **John P. McDonald**, New Berlin, WI (US); **Brian P. Saiia**, Milwaukee, WI (US); **John R. Schneiker**, Muskego, WI (US); **Kipp K. Stevens**, Fox Point, WI (US); **Christina E. Wisler**, Waukesha, WI (US)

(73) Assignee: **Briggs & Stratton Corporation**, Wauwatosa, WI (US)

(**) Term: **14 Years**

(21) Appl. No.: **29/264,068**

(22) Filed: **Aug. 3, 2006**

Related U.S. Application Data

(62) Division of application No. 29/232,000, filed on Jun. 13, 2005.

(51) **LOC (8) Cl.** **15-01**

(52) **U.S. Cl.** **D15/5**

(58) **Field of Classification Search** D15/1, D15/3, 5, 17, 149; D12/110, 114, 126; 123/41.33, 123/41.7, 41.09, 198 E, 195 A, 195 C, 65 R, 123/70 R, 306, 308, 661, 667, 432; 746/606 R
See application file for complete search history.

(56) **References Cited**

U.S. PATENT DOCUMENTS

D394,236 S	5/1998	Verlengiere	
D396,478 S	* 7/1998	Hubbach	D15/5
D446,489 S	8/2001	Park	
D447,456 S	9/2001	Larson et al.	
D452,672 S	1/2002	Kim	
D467,846 S	12/2002	McGee	
D470,507 S	* 2/2003	Maeda et al.	D15/1

D471,207 S	*	3/2003	Kern et al.	D15/5
D479,721 S	*	9/2003	Kern et al.	D15/5
D517,568 S	*	3/2006	Pfeiffer	D15/5

OTHER PUBLICATIONS

KAWASAKI, Four-Cycle Engines, Kawasaki FJ180V, website, http://www.kawpowr.com/4cycle/fj180v_specs.html, 1 page, Feb. 2, 2005.

KAWASAKI, Four-Cycle Engines, Kawasaki FC290v, website, http://www.kawpowr.com/4cycle/fc290v_specs.html, 1 page, Feb. 2, 2005.

KAWASAKI, Four-Cycle Engines, Kawasaki FH721D, website, http://www.kawpowr.com/4cycle/fh721d_specs.html, 1 page, Feb. 2, 2005.

KAWASAKI, Four-Cycle Engines, Kawasaki FH601D, website, http://www.kawpowr.com/4cycle/fh601d_specs.html, 1 page, Feb. 2, 2005.

KAWASAKI, Four-Cycle Engines Kawasaki FH601V, website, http://www.kawpowr.com/4cycle/fh601v_specs.html, 1 page, Feb. 2, 2005.

(Continued)

Primary Examiner—Alan P. Douglas

Assistant Examiner—Maurice Stevens

(74) *Attorney, Agent, or Firm*—Michael Best & Friedrich LLP

(57) **CLAIM**

We claim the ornamental design for an engine cover, as shown and described.

DESCRIPTION

FIG. 1 is a perspective view of an engine cover according to the invention;

FIG. 2 is a top view of the engine cover of FIG. 1;

FIG. 3 is a bottom view of the engine cover of FIG. 1;

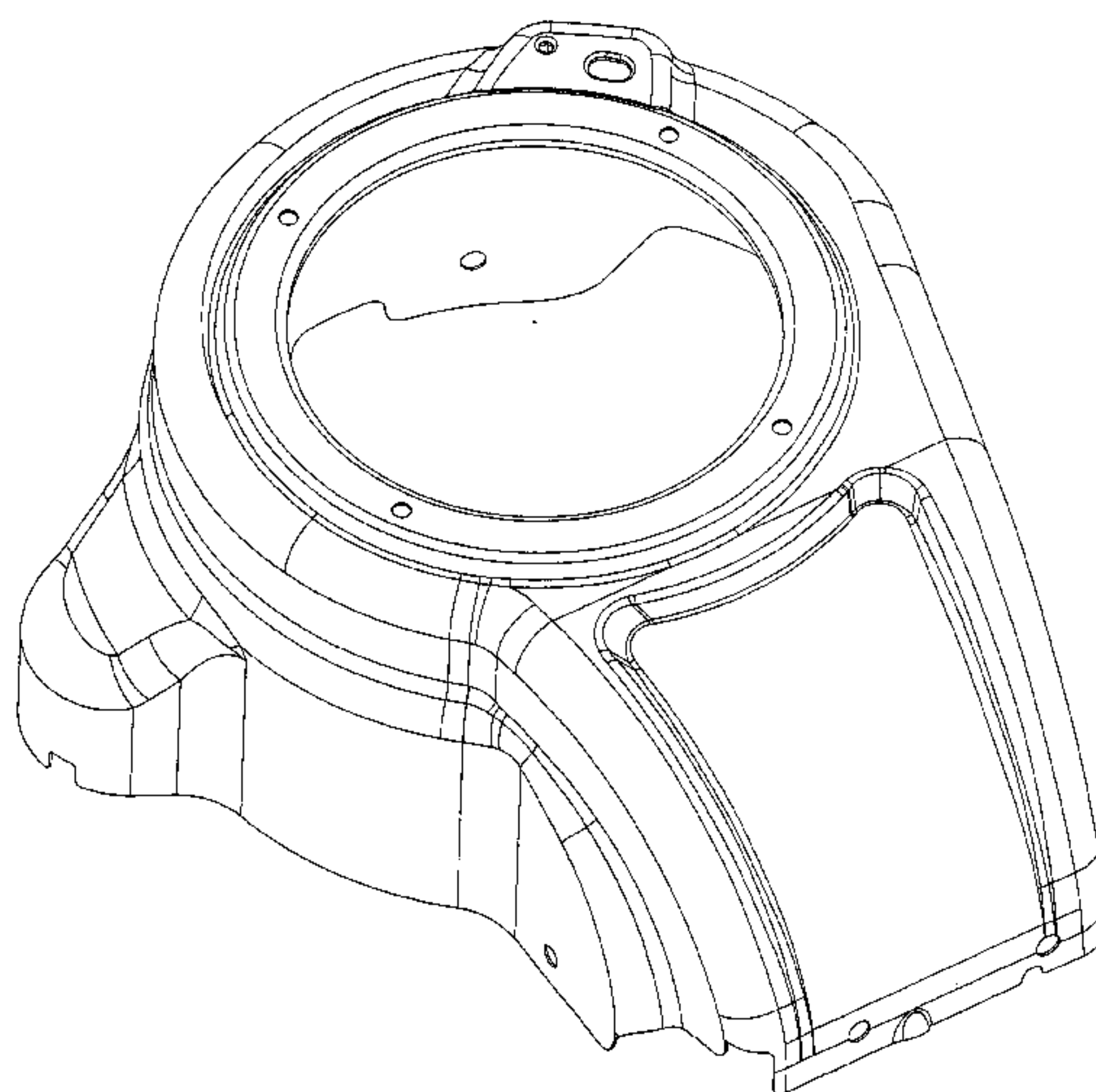
FIG. 4 is a front view of the engine cover of FIG. 1;

FIG. 5 is a rear view of the engine cover of FIG. 1;

FIG. 6 is a left side view of the engine cover of FIG. 1; and,

FIG. 7 is a right side view of the engine cover of FIG. 1.

1 Claim, 7 Drawing Sheets



OTHER PUBLICATIONS

KAWASAKI, Four-Cycle Engines, Kawasaki FH500V, website, http://www.kawpowr.com/4cycle/fh500v_specs.html, 1 page, Feb. 2, 2005.

KAWASAKI, Four-Cycle Engines, Kawasaki FC150V, website, http://www.kawpowr.com/4cycle/fc150v_specs.html, 1 page, Feb. 2, 2005.

KAWASAKI, Four-Cycle Engines, Kawasaki FH721V, website, http://www.kawpowr.com/4cycle/fh721v_specs.html, 1 page, Feb. 2, 2005.

Tecumseh Power Company; Walk-Behind Engines & Transmissions Horsepower Range: 3.5 – 7.0, website <http://www.tecumsehpower.com/Products/WalkBehind/index.php>, 1 page, Feb. 2, 2005.

Kohler Co. Engine Division; Kohler Engines Born to Run Owner's Manual, Command 11–16 HP Vertical Crankshaft; Cover Sheet, Revised Sep. 1999, Kohler Co. Engine Division, Kohler, Wisconsin, USA.

Kohler Co. Engine Division; Kohler Engines Born to Run Owner's Manual, Command 18–26 HP Horizontal Crankshaft; Cover Sheet, Revised May 1999, Kohler Co. Engine Division, Kohler, Wisconsin, USA.

Kohler Co. Engine Division; Kohler Engines Born to Run Owner's Manual, Command 11–15 HP Horizontal Crankshaft; Cover Sheet, Revised Apr. 1999, Kohler Co. Engine Division, Kohler, Wisconsin, USA.

Kohler Co. Engine Division; Kohler Engines Born to Run Owner's Manual, Magnum 8,12,16 HP Horizontal Crankshaft; Cover Sheet, Revised Dec. 2001, Kohler Co. Engine Division, Kohler, Wisconsin, USA.

Kohler Co. Engine Division; Kohler Engines Service Manual, Courage Series SV470–600 Vertical Crankshaft; website http://www.kohlerengines.com/onlinecatalog/detail.jsp?prod_num=Hydro+13, Cover Sheet, Feb. 2, 2005, Kohler Co. Engine Division, Kohler, Wisconsin, USA.

Kohler Co. Engine Division; Kohler Engines Kohler Triad OHC; website http://www.kohlerengines.com/onlinecatalog/enginefamily.jsp?engine_family_name=Triad+OHC, Cover Sheet Feb. 2, 2005, Kohler Co. Engine Division, Kohler, Wisconsin, USA.

Honda Engines, Honda GC Series Engines, brochure, 2003, 10 pages, American Honda Motor Co, Inc.

* cited by examiner

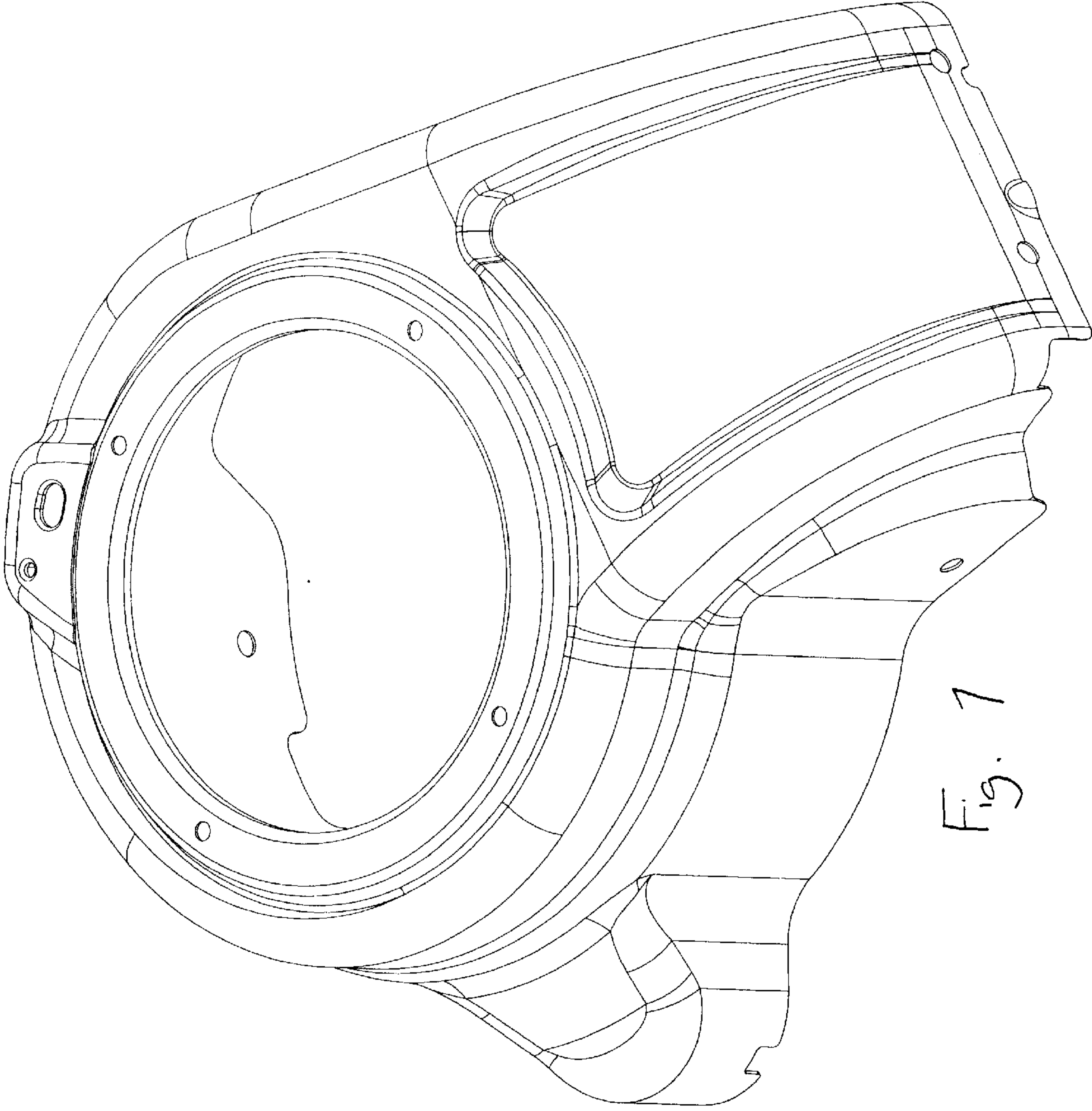


Fig. 1

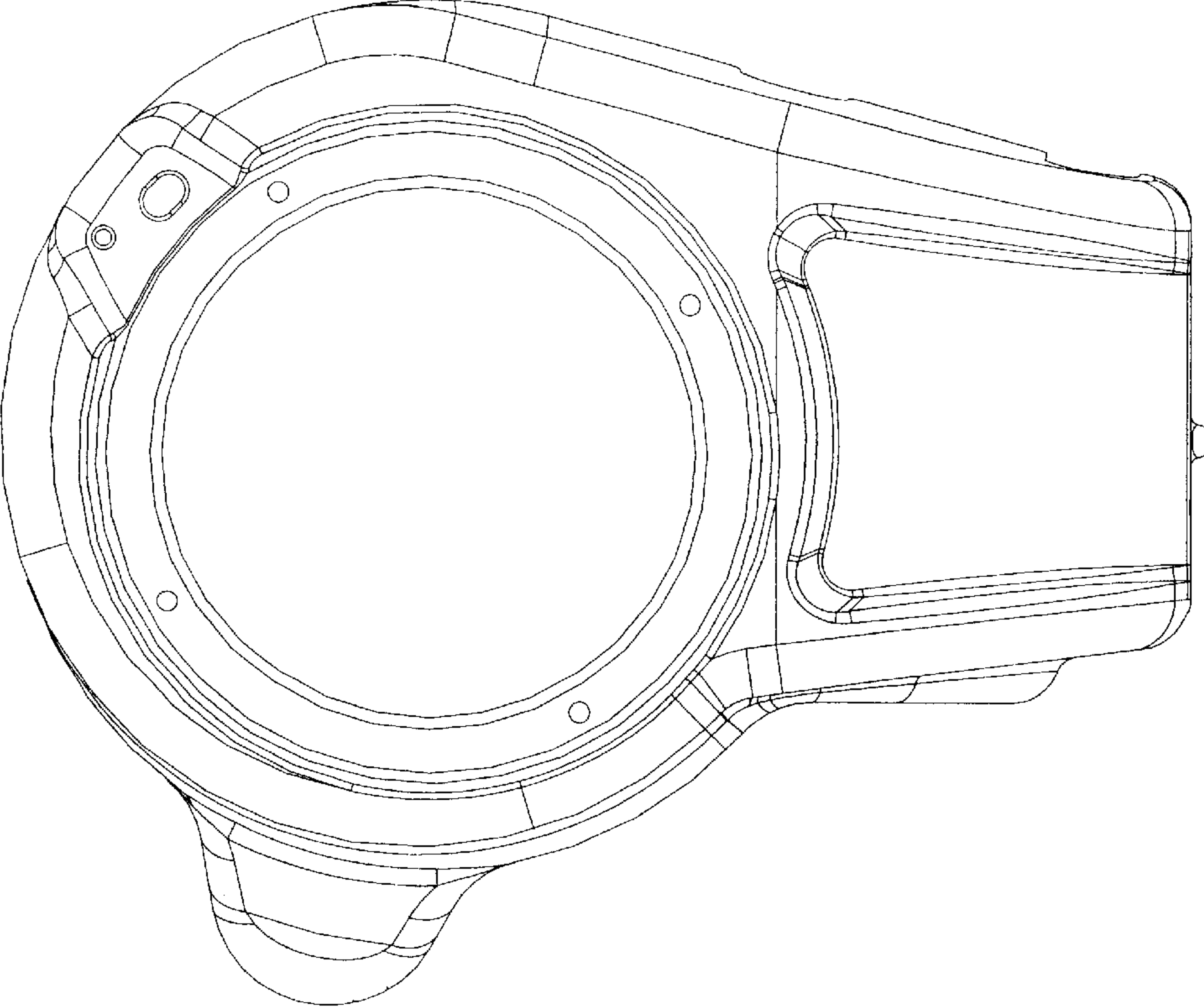


Fig. 2

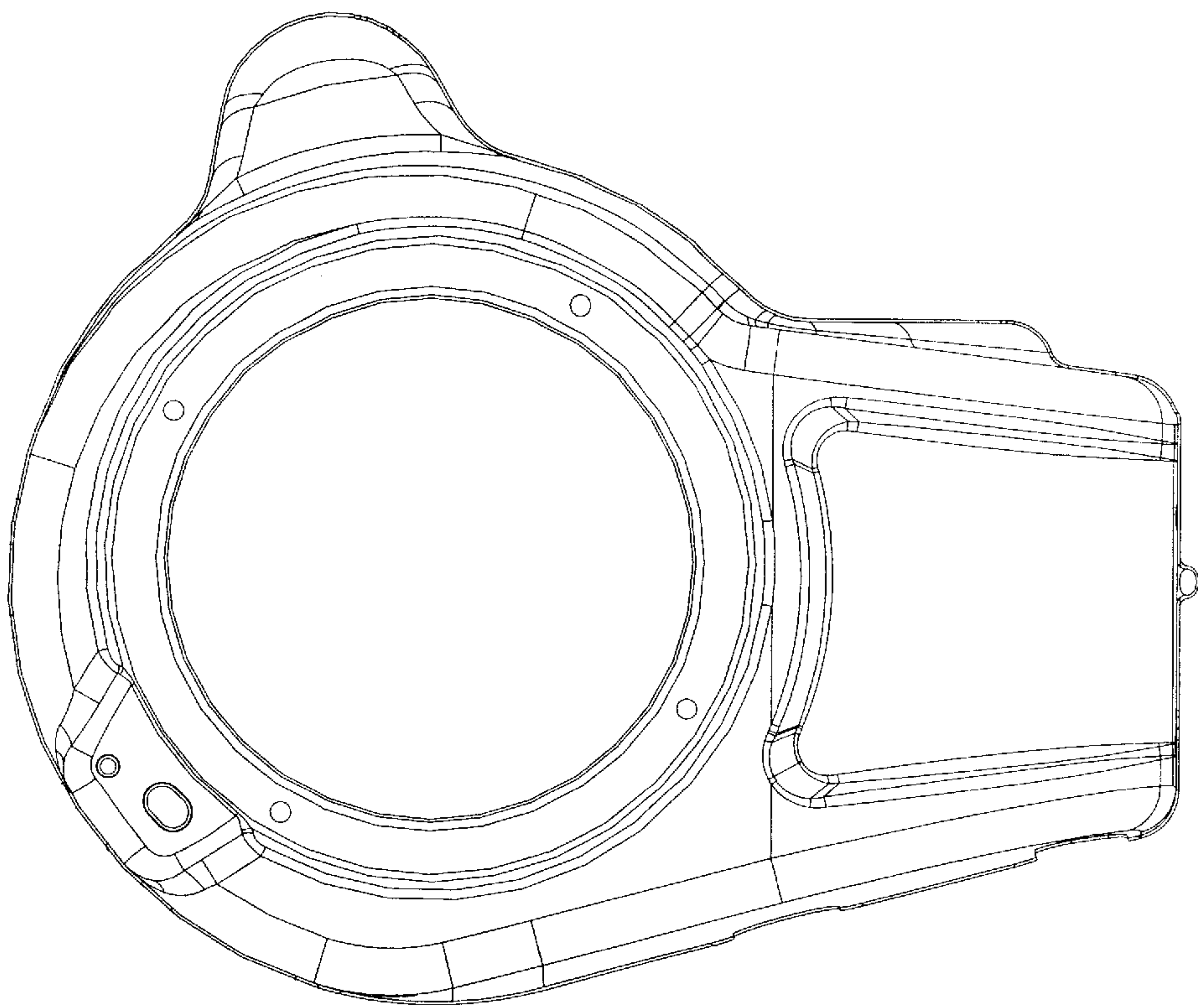


Fig. 3

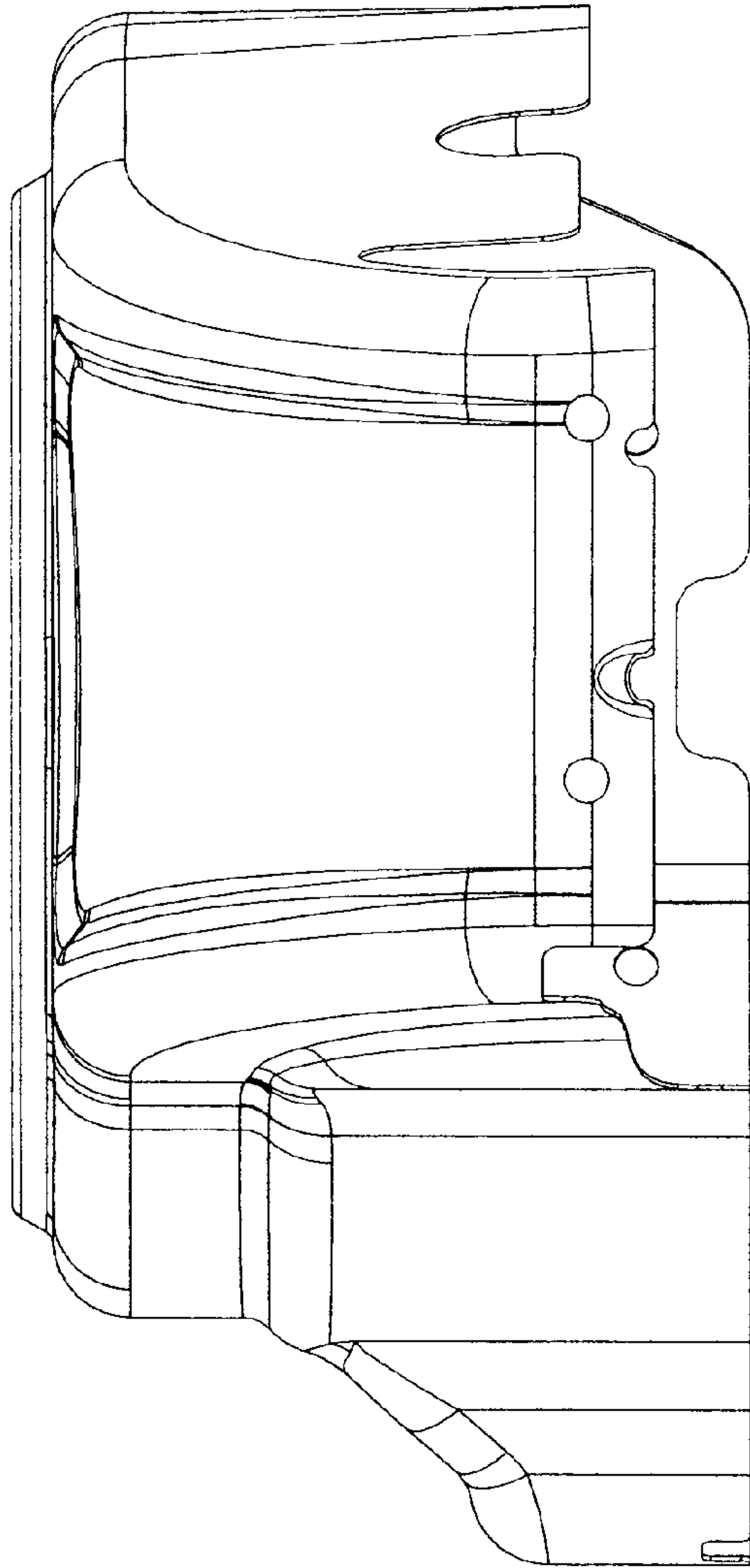


Fig. 4

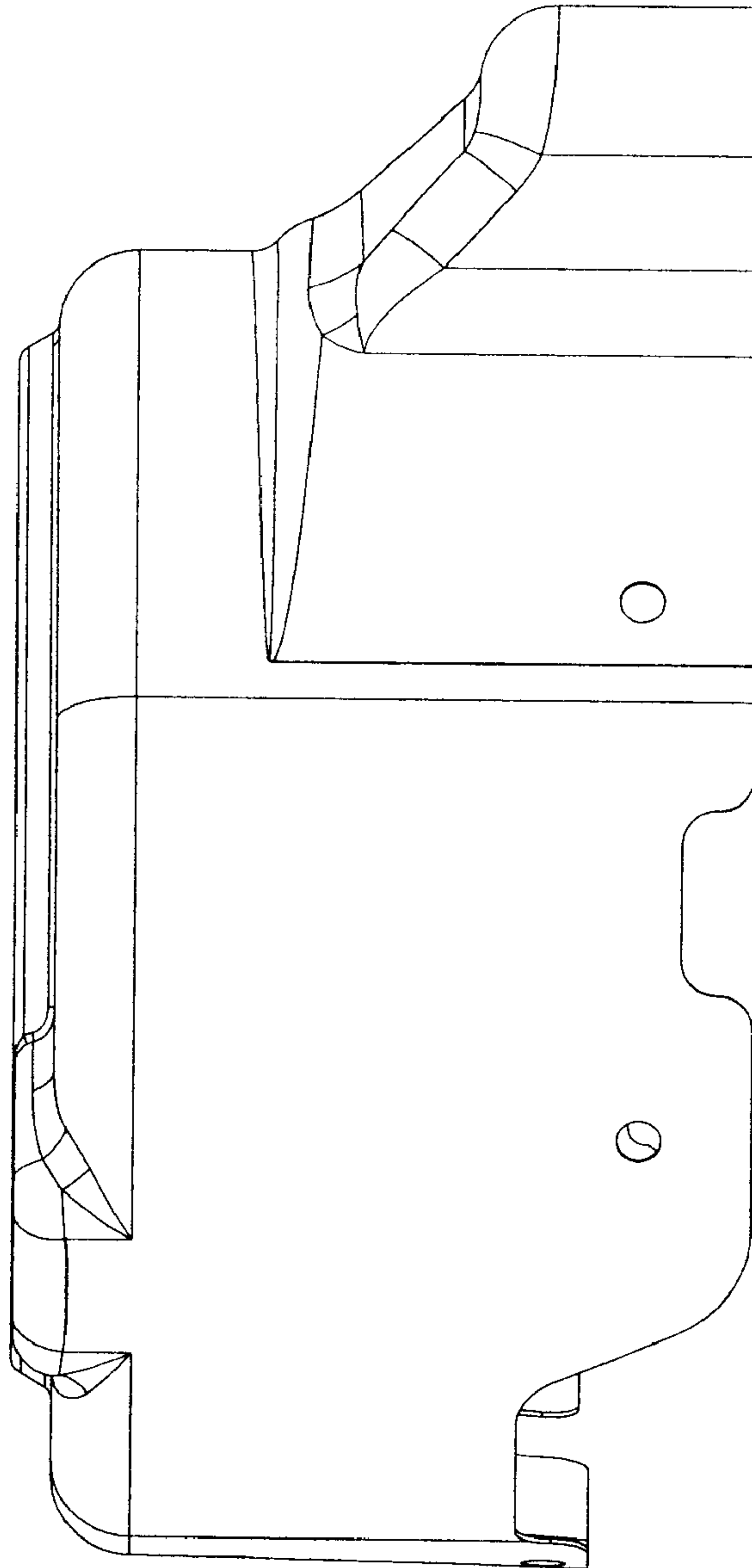


Fig. 5

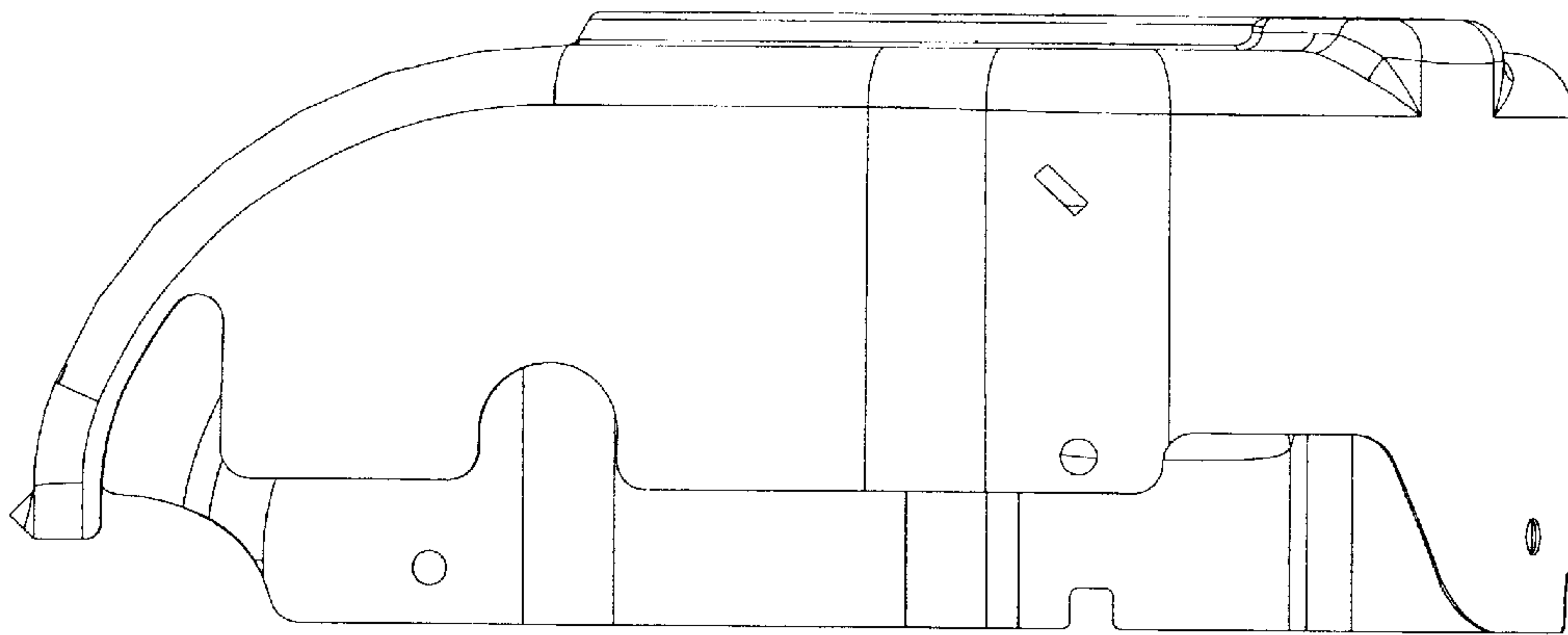


Fig. 6

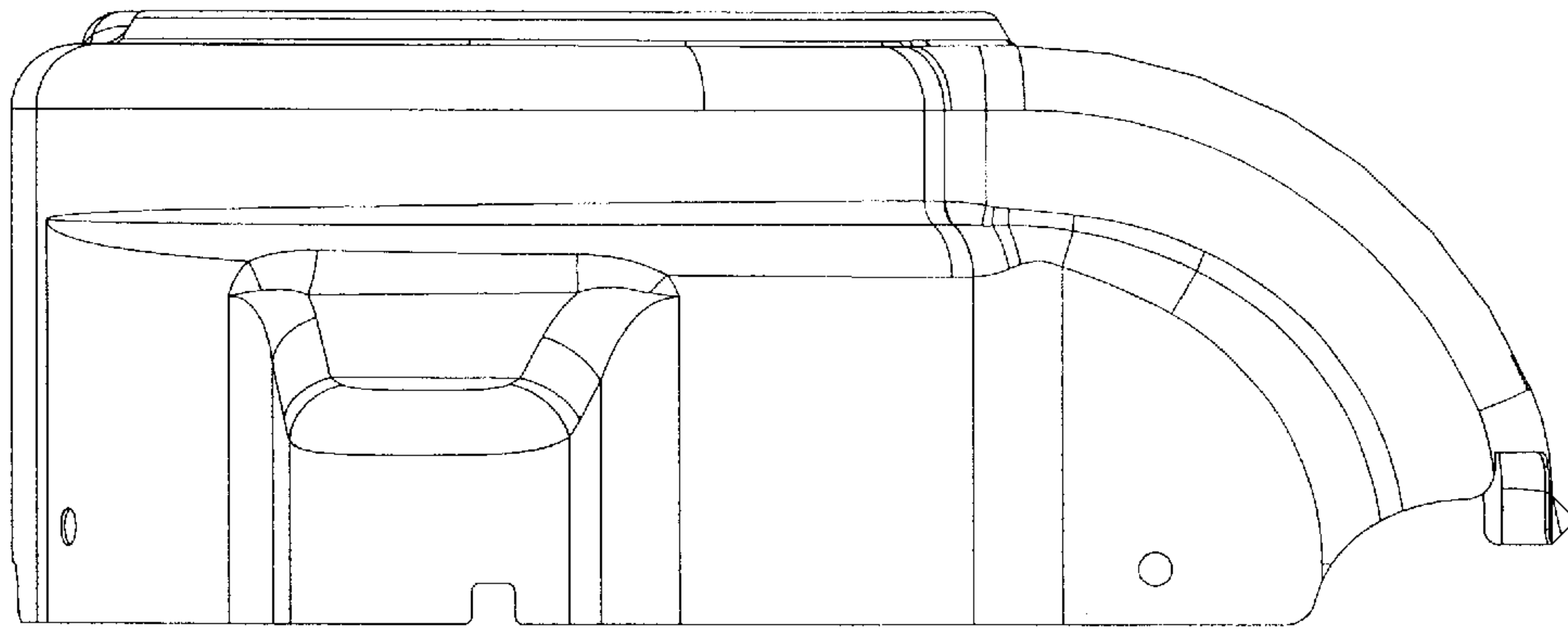


Fig. 7