



US00D553644S

(12) **United States Design Patent**
Varkala Sangiovani

(10) **Patent No.:** **US D553,644 S**

(45) **Date of Patent:** **** Oct. 23, 2007**

(54) **PARTICULATE MATERIAL RETAINER**

(76) Inventor: **Sergio Varkala Sangiovani**, Rua Pedro Dóll 472. Apto. 31, Santana, São Paulo, SP 02404-001 (BR)

(**) Term: **14 Years**

(21) Appl. No.: **29/229,913**

(22) Filed: **May 13, 2005**

(30) **Foreign Application Priority Data**

Apr. 1, 2005 (EP) 319.629

(51) **LOC (8) Cl.** **15-01**

(52) **U.S. Cl.** **D15/5**

(58) **Field of Classification Search** D15/5;
D23/365, 364; 55/385.3, 523

See application file for complete search history.

(56) **References Cited**

U.S. PATENT DOCUMENTS

5,423,904 A * 6/1995 Dasgupta 96/146
D410,010 S * 5/1999 Gieseke et al. D15/5

D523,543 S * 6/2006 Komori et al. D23/365
7,056,365 B2 * 6/2006 Ichikawa et al. 55/523

* cited by examiner

Primary Examiner—Ian Simmons

Assistant Examiner—Maurice Stevens

(57) **CLAIM**

The ornamental design for a particulate material retainer, as shown and described.

DESCRIPTION

FIG. 1 shows a front perspective view of one embodiment of my design for a particulate material retainer; FIG. 2 shows a rear perspective view thereof; FIG. 3 shows a bottom view thereof; FIG. 4 shows a top view thereof; FIG. 5 shows a side view thereof; FIG. 6 shows a front view thereof; and, FIG. 7 shows a rear view thereof.

The broken lines shown in FIGS. 1–6 are included for the purpose of illustrating environment and form no part of the claimed design.

1 Claim, 3 Drawing Sheets

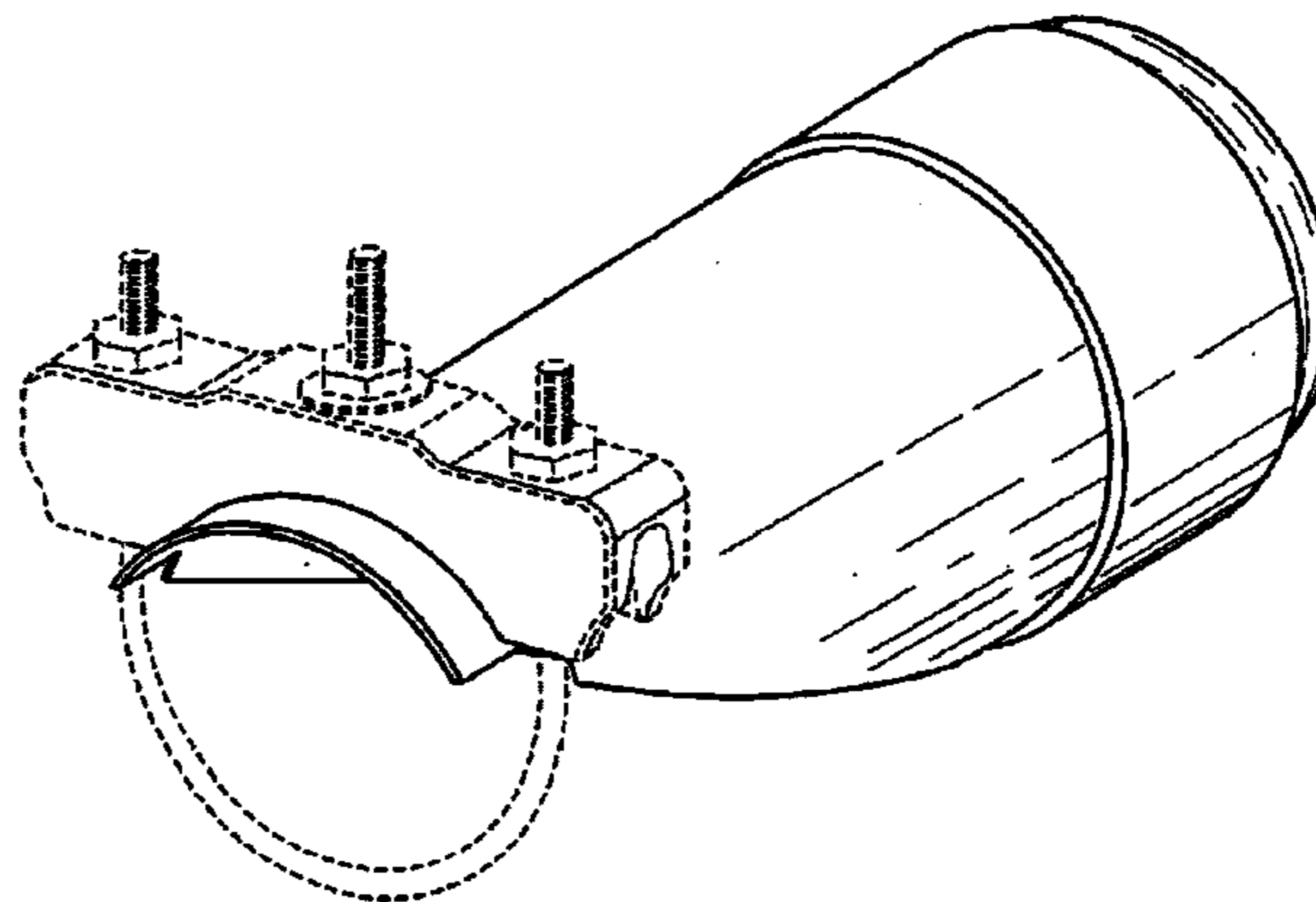
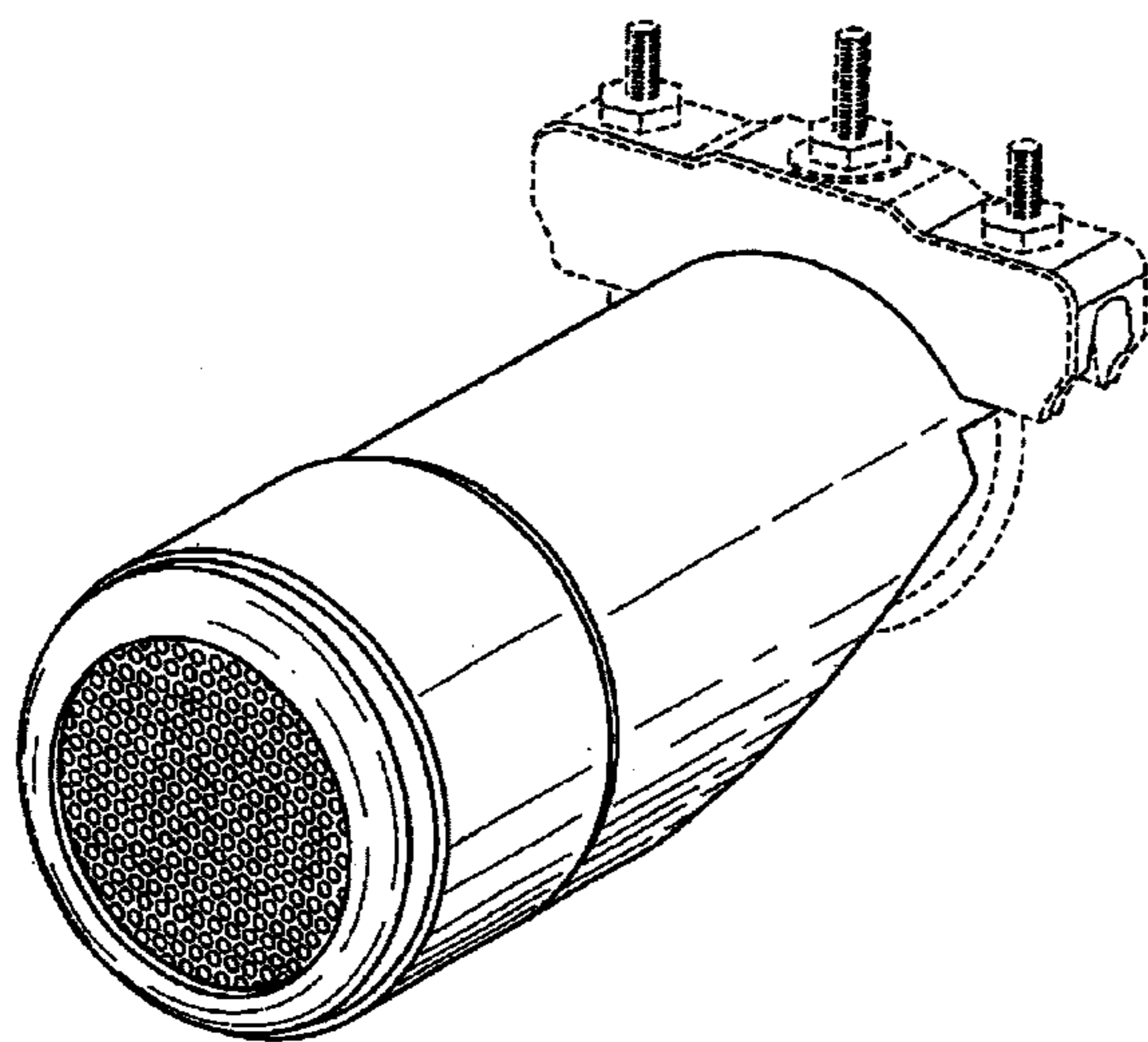


FIG. 1

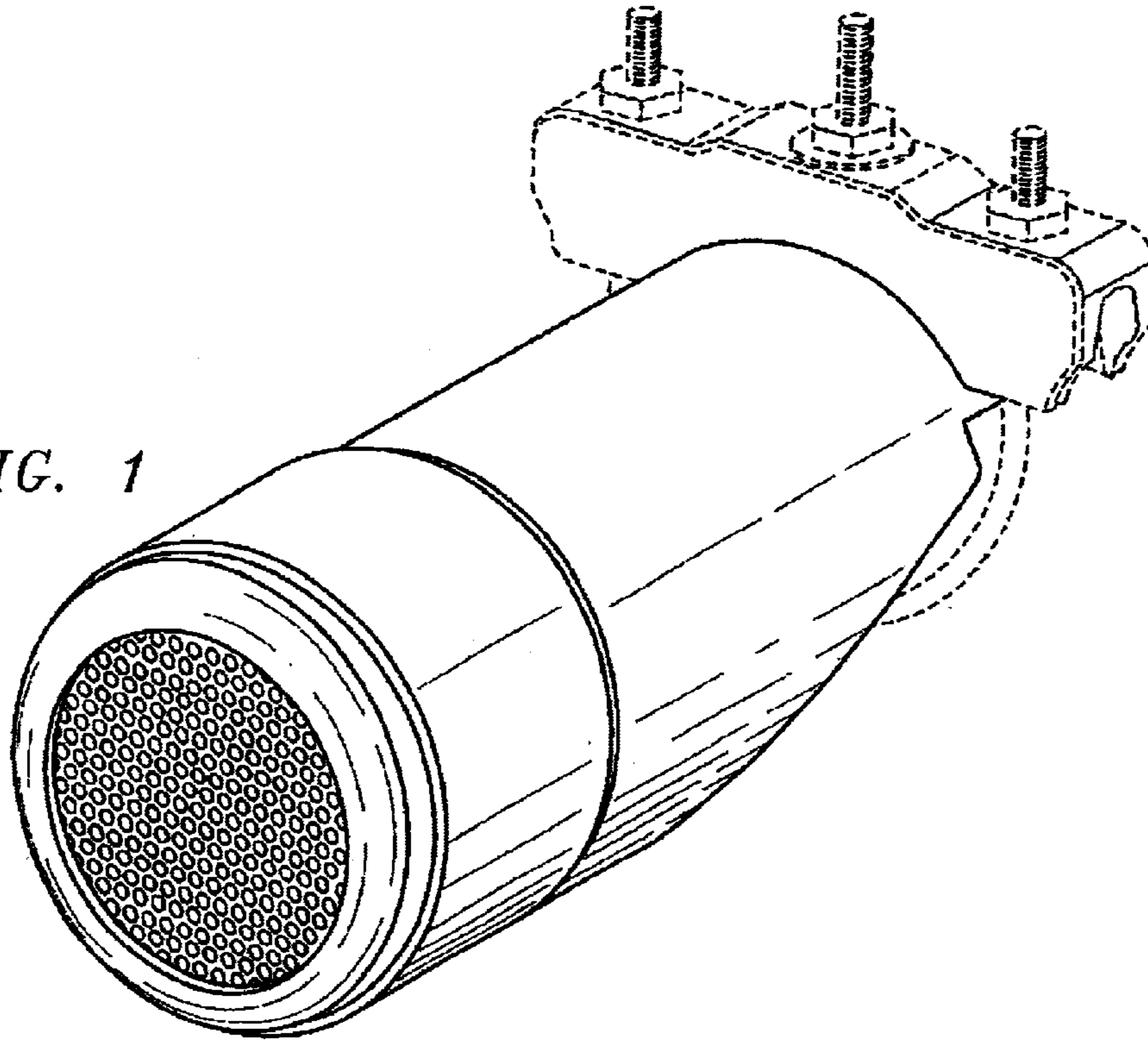
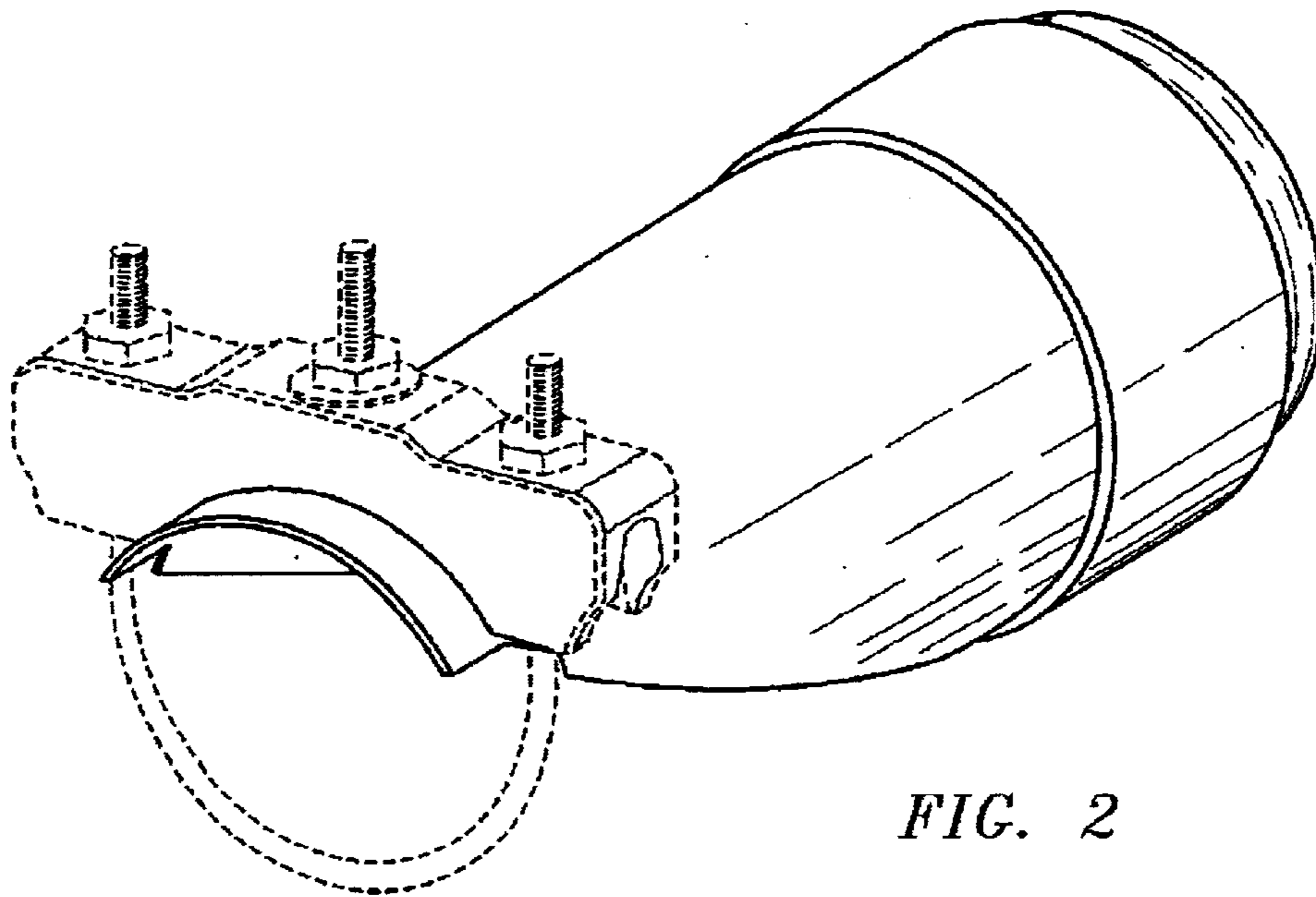


FIG. 2



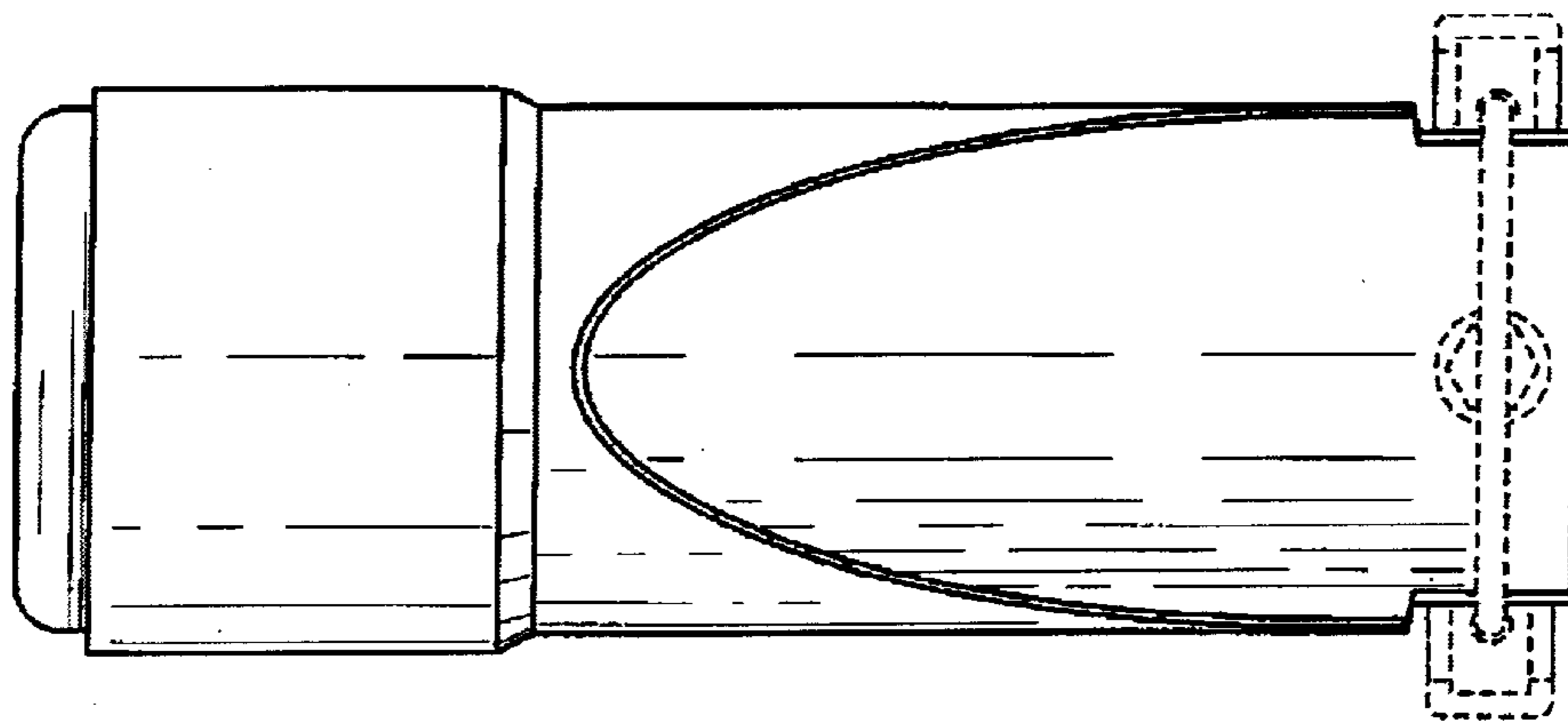


FIG. 3

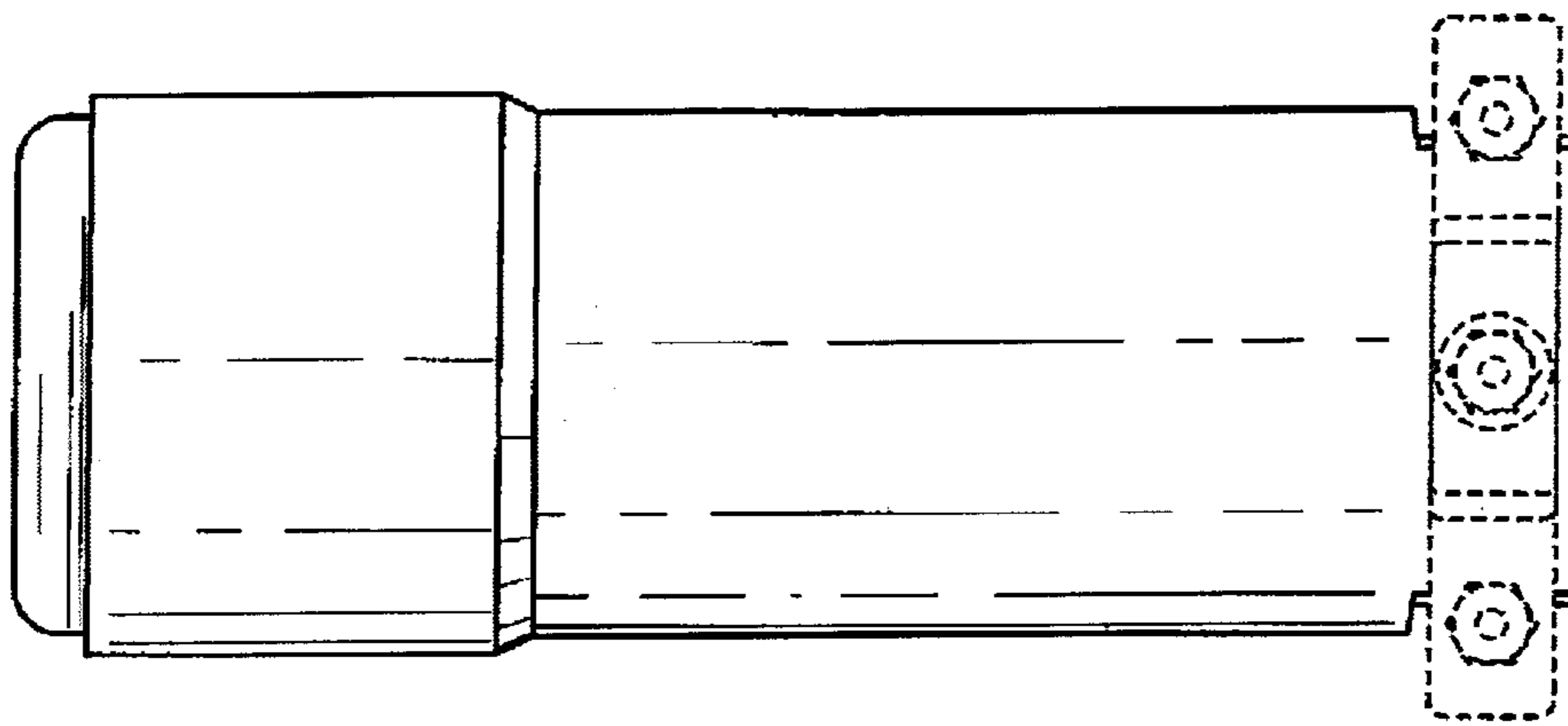


FIG. 4

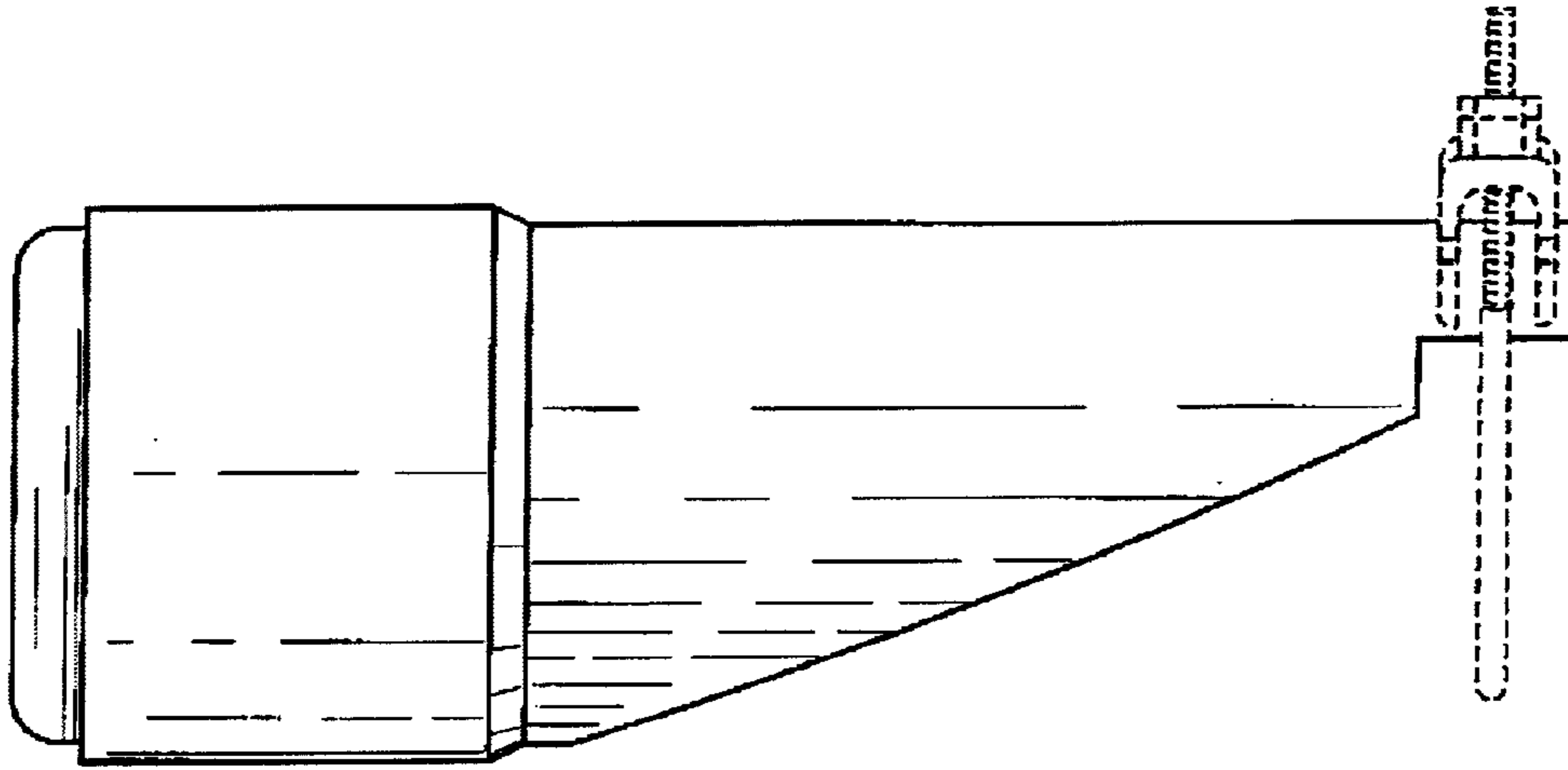


FIG. 5

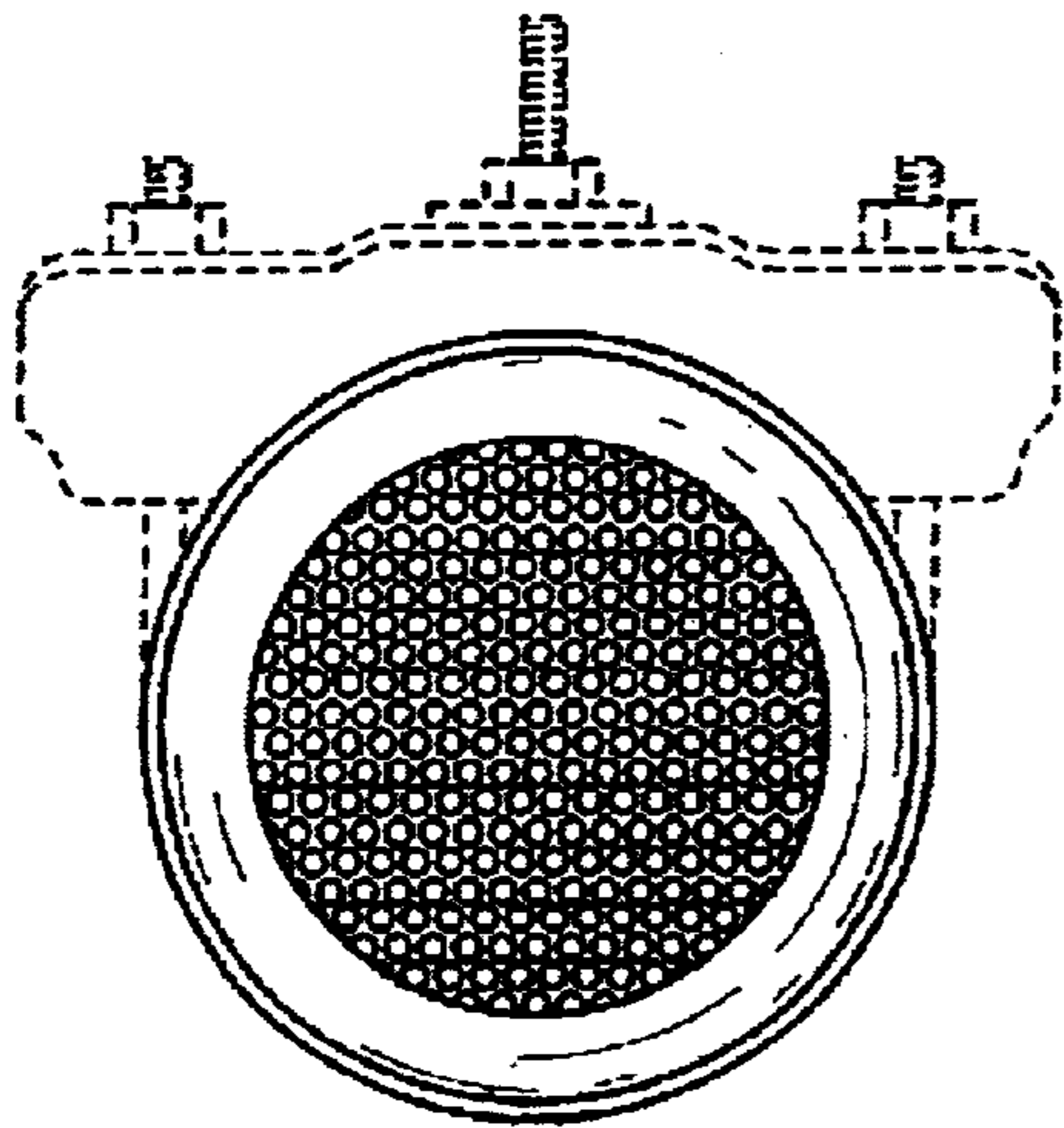


FIG. 6

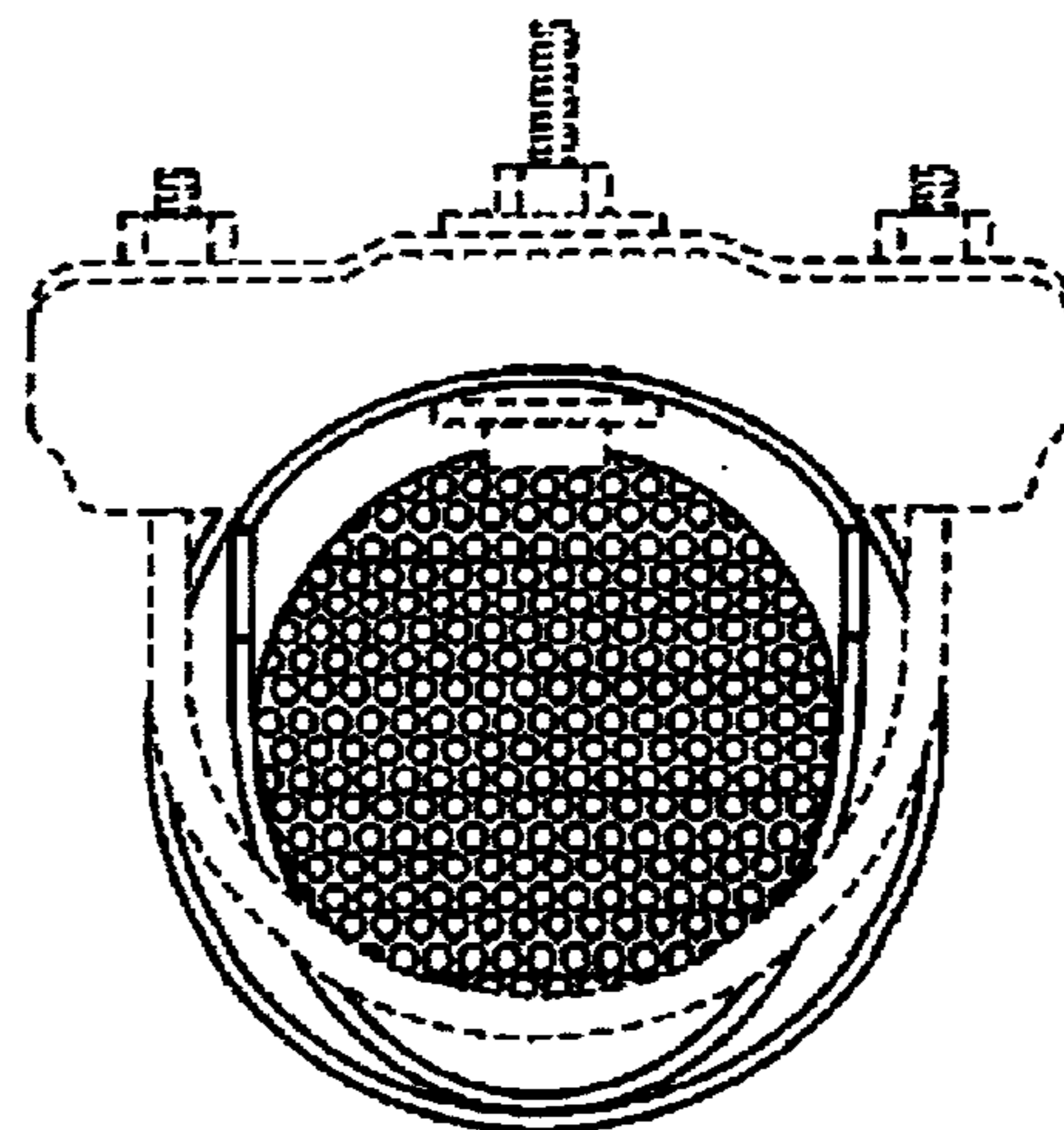


FIG. 7