



US00D553642S

(12) **United States Design Patent**
Bourelly et al.

(10) **Patent No.:** **US D553,642 S**

(45) **Date of Patent:** **** Oct. 23, 2007**

(54) **SPEAKER RECEIVER**

D369,149 S * 4/1996 Chang et al. D14/299
D428,876 S * 8/2000 Renkis D14/230
D521,525 S * 5/2006 Peng D14/496

(75) Inventors: **Guillaume Bourelly**, Lausanne (CH);
Guy Raeber, Chardonne (CH); **Alain Tabasso**, Essertines VD (CH); **Marcel Twohig**, Monkstown County Dublin (IE)

* cited by examiner

Primary Examiner—Nanda Bondade

(74) *Attorney, Agent, or Firm*—Townsend and Townsend and Crew LLP

(73) Assignee: **Logitech Europe S.A.** (CH)

(**) Term: **14 Years**

(57) **CLAIM**

(21) Appl. No.: **29/261,790**

The ornamental design for speaker receiver, as shown and described.

(22) Filed: **Jun. 19, 2006**

DESCRIPTION

(51) **LOC (8) Cl.** **14-01**

(52) **U.S. Cl.** **D14/496**

(58) **Field of Classification Search** D14/204,
D14/209–217, 474, 496, 299, 230; 181/143–144,
181/147–148, 150, 157, 198–199, 151, 153;
381/300–302, 306, 333, 345, 361–364, 386–388,
381/332, 336

See application file for complete search history.

FIG. 1 is a perspective view of a speaker receiver showing our new design;

FIG. 2 is a top plan view thereof;

FIG. 3 is a bottom plan view thereof;

FIG. 4 is a right elevational view thereof;

FIG. 5 is a left elevational view thereof;

FIG. 6 is a front elevational view thereof; and,

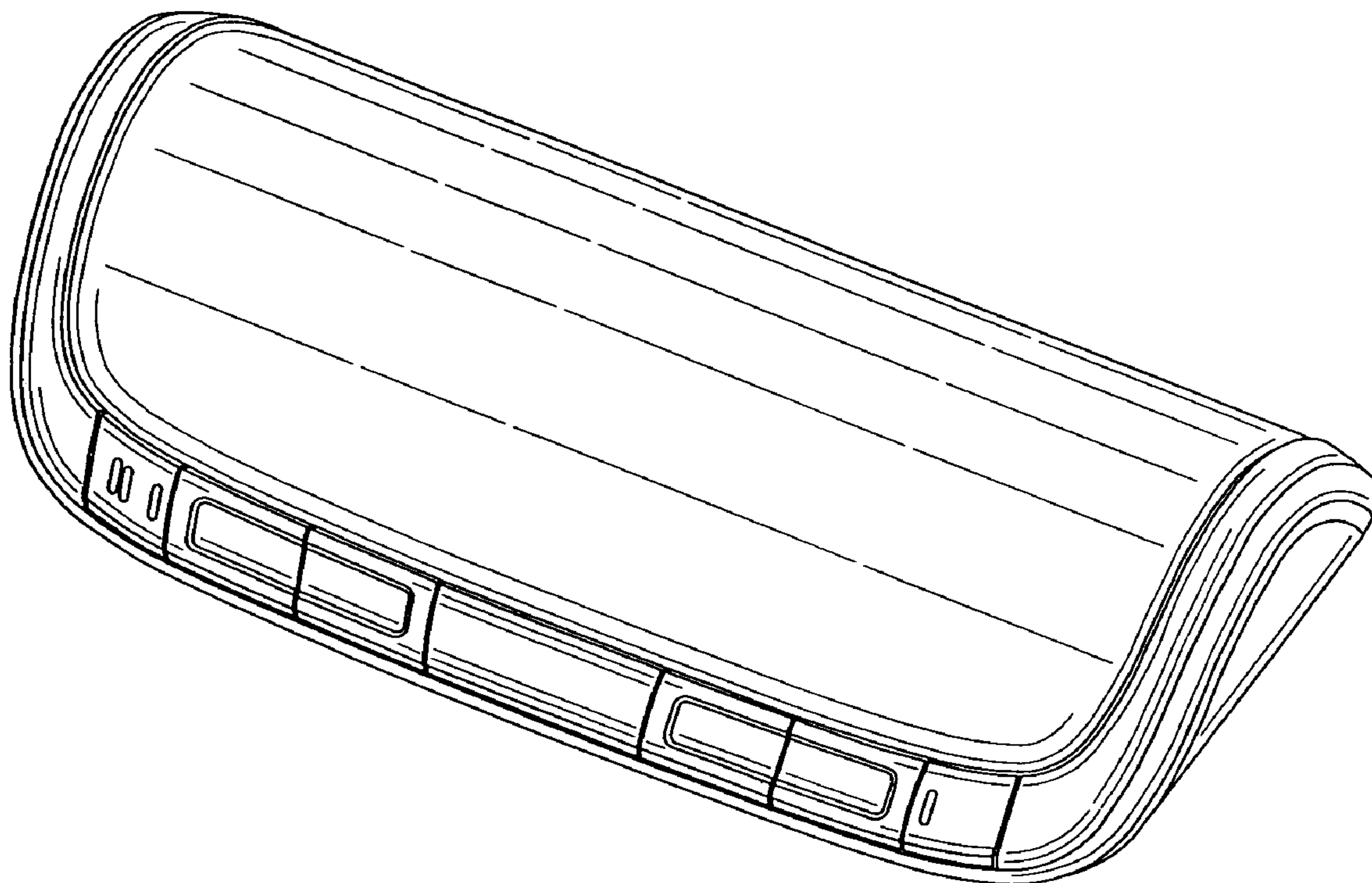
FIG. 7 is a rear elevational view thereof.

(56) **References Cited**

U.S. PATENT DOCUMENTS

D349,289 S * 8/1994 Vananderoye D14/217

1 Claim, 4 Drawing Sheets



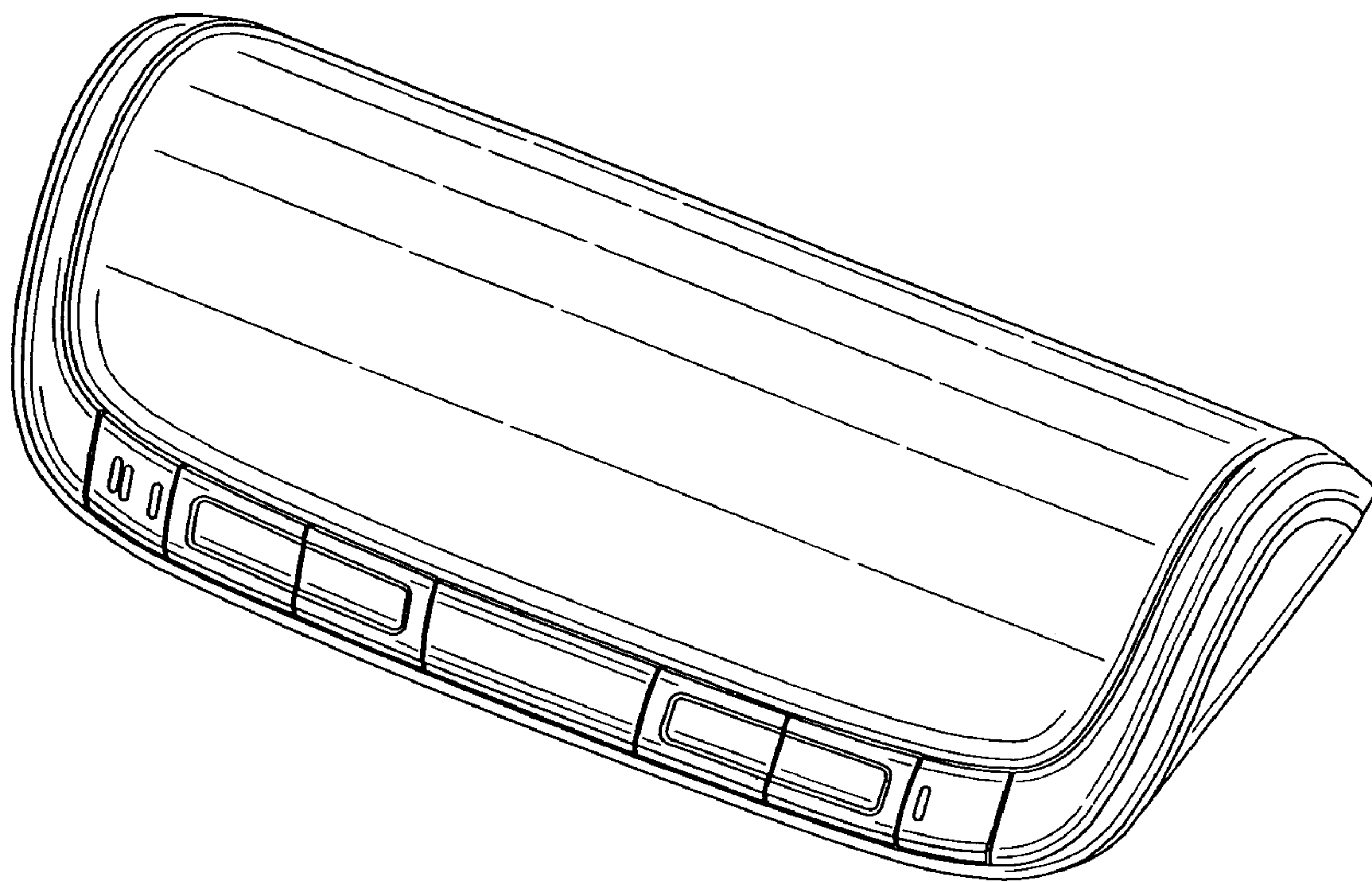


FIG. 1

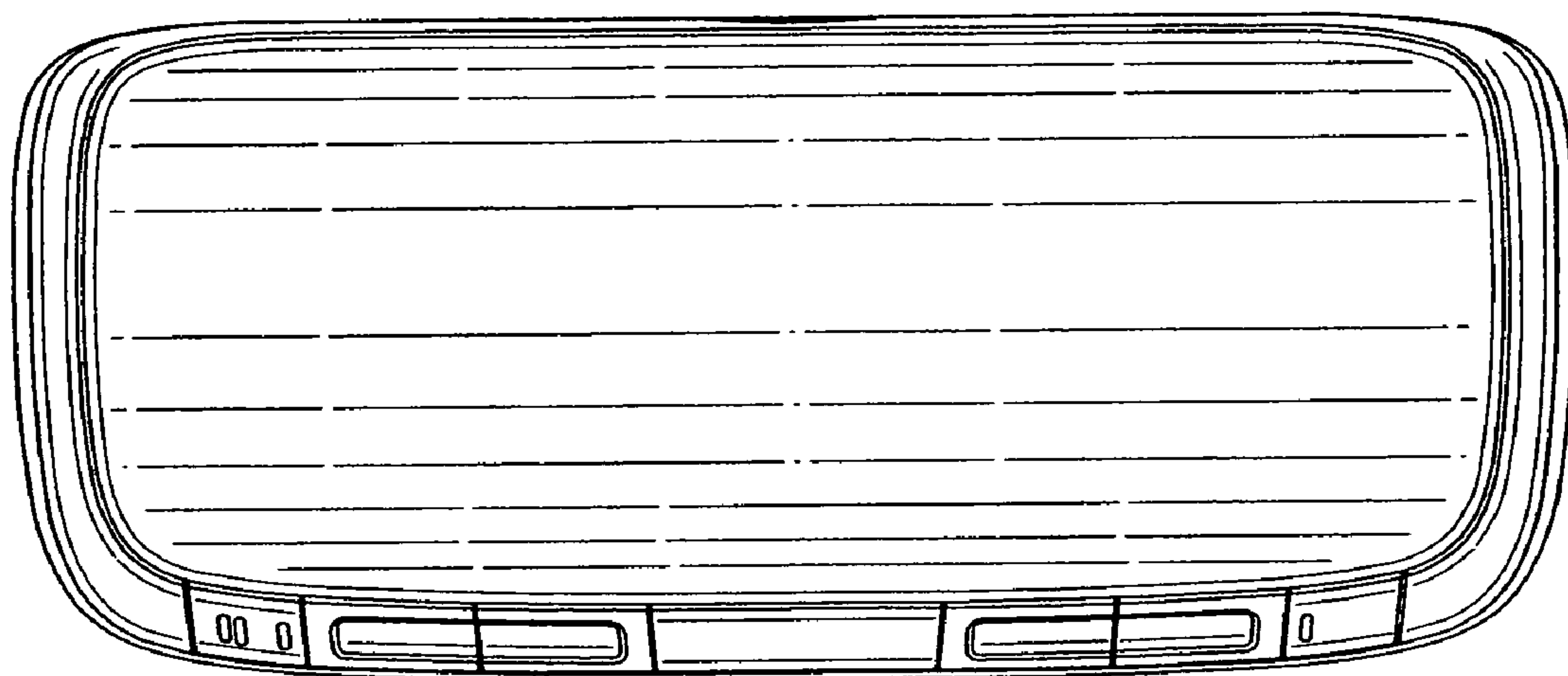


FIG. 2

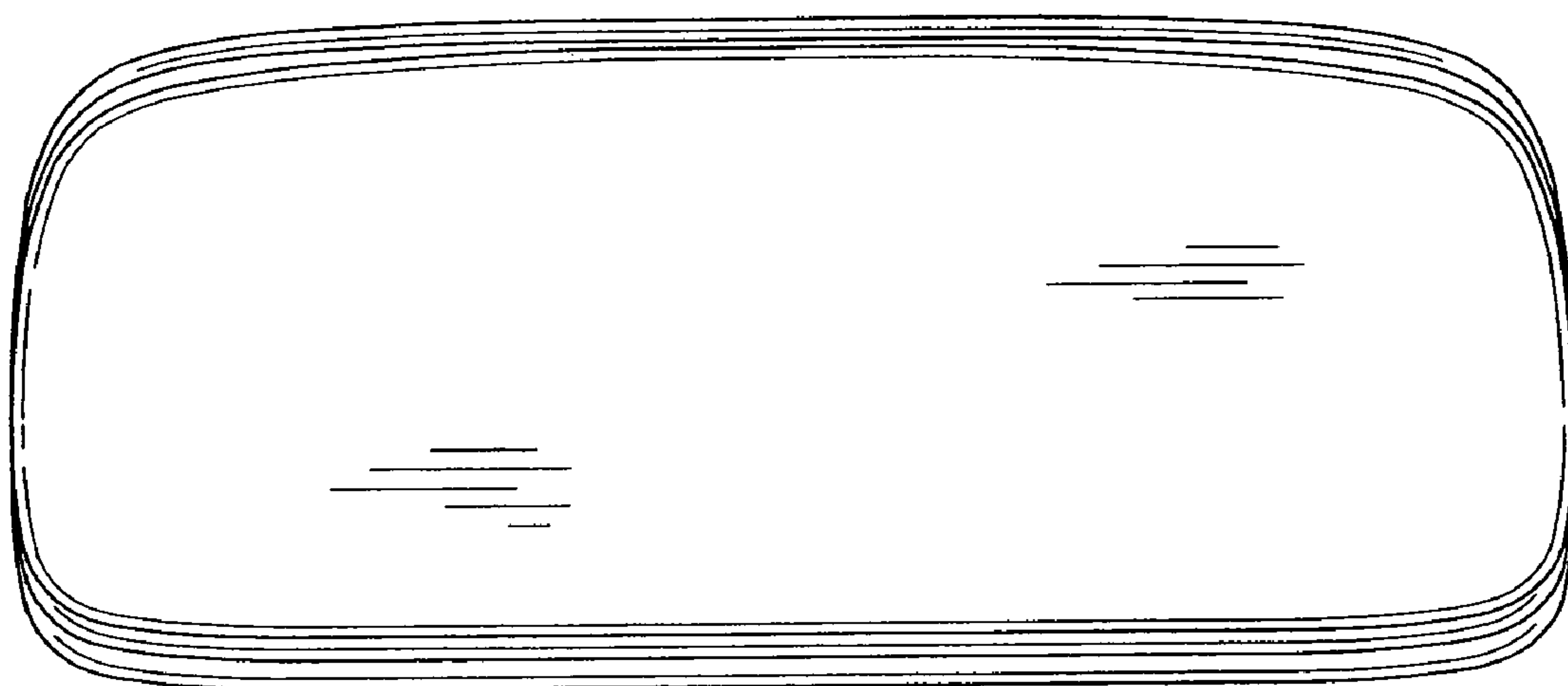


FIG. 3

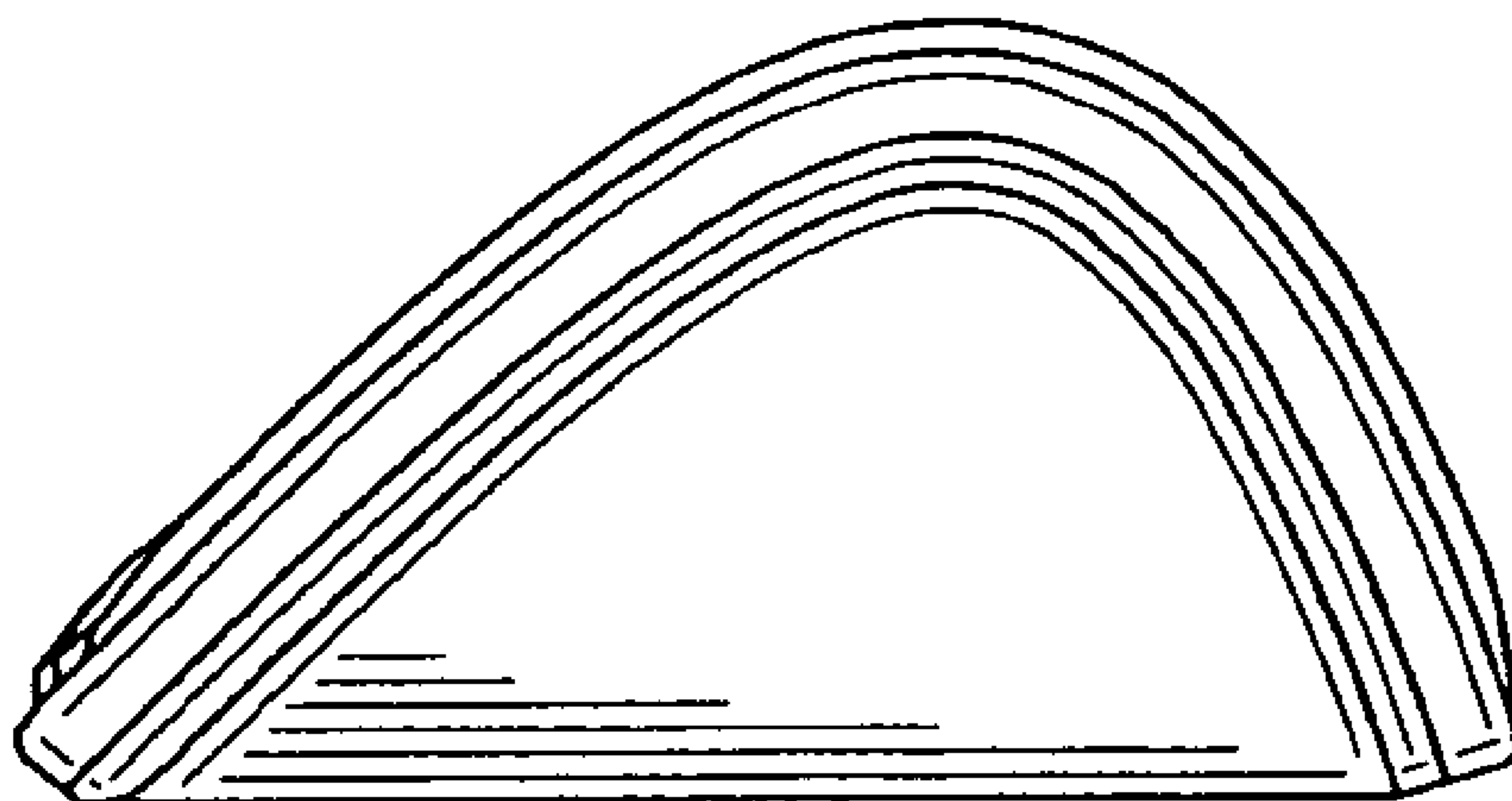


FIG. 4

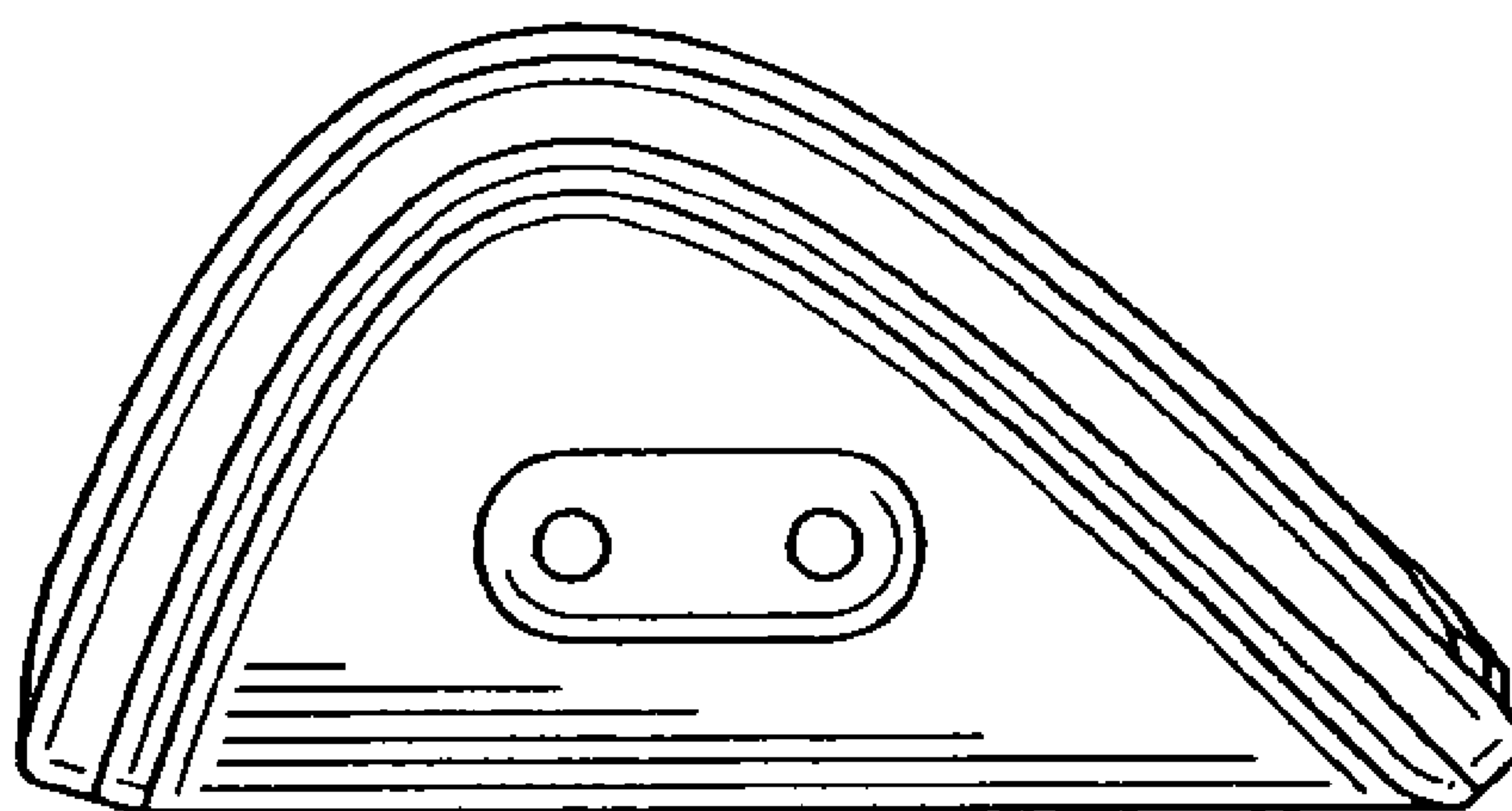


FIG. 5

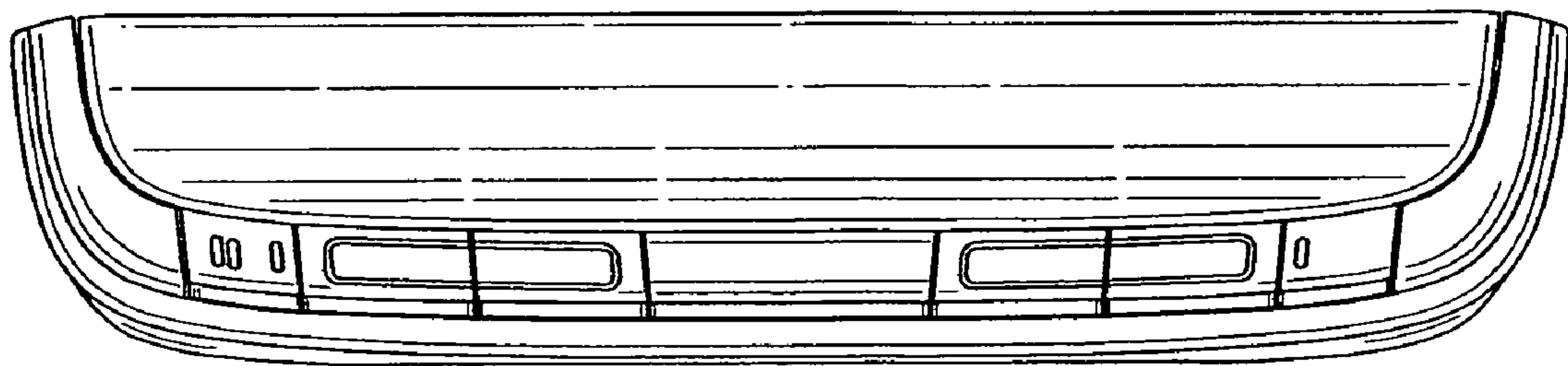


FIG. 6

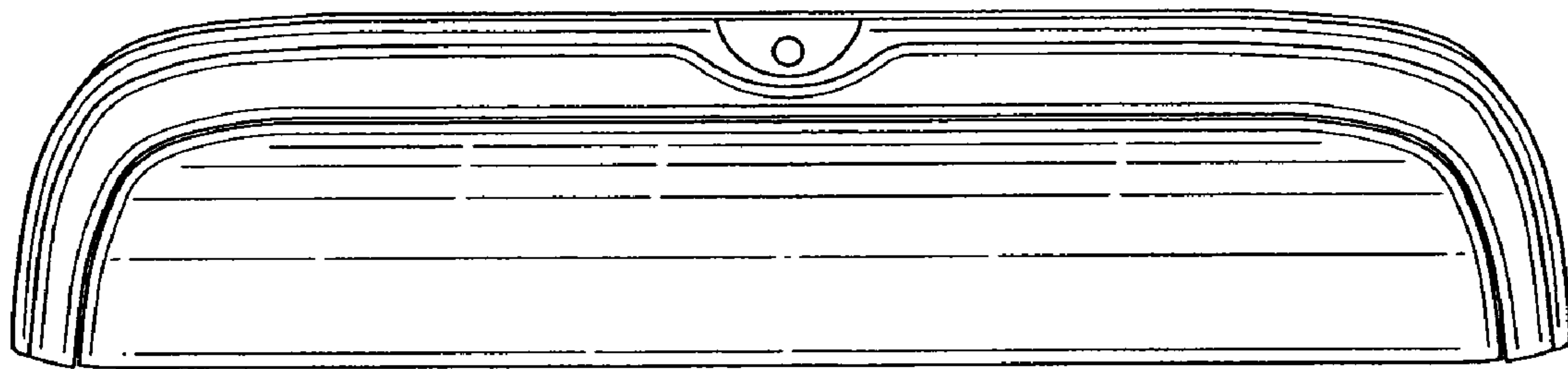


FIG. 7