



US00D553622S

(12) **United States Design Patent**
Petrotta

(10) **Patent No.:** **US D553,622 S**

(45) **Date of Patent:** **** Oct. 23, 2007**

(54) **STEERING WHEEL INCLUDING STEERING WHEEL FOR CAR AND STEERING WHEEL FOR GAME CONTROLLER**

(75) Inventor: **Giuseppe Petrotta**, Maranello (IT)

(73) Assignee: **Ferrari S.p.A.**, Modena (IT)

(**) Term: **14 Years**

(21) Appl. No.: **29/263,375**

(22) Filed: **Jul. 21, 2006**

(30) **Foreign Application Priority Data**

Jan. 24, 2006 (EM) 000468392
Jan. 24, 2006 (EM) 000468400

(51) **LOC (8) Cl.** **14-02**

(52) **U.S. Cl.** **D14/414; D21/333; D21/324**

(58) **Field of Classification Search** D14/440,
D14/401, 414, 416, 412, 432; D21/324-333,
D21/385, 477, 561, 566; 273/148 B, 148 R;
463/1, 3, 30-47; 434/45, 46; 74/552-558
See application file for complete search history.

(56) **References Cited**

U.S. PATENT DOCUMENTS

5,056,787 A * 10/1991 Mitsuyoshi 273/148 B
5,573,440 A * 11/1996 Schneider et al. 446/404
D380,503 S * 7/1997 Tyler D21/385
D393,493 S * 4/1998 Lee D21/477
5,829,745 A * 11/1998 Houle 273/148 B

D410,970 S * 6/1999 Larian D21/329
5,989,123 A * 11/1999 Tosaki et al. 463/37
D420,708 S * 2/2000 Holmes et al. D21/329
6,159,099 A * 12/2000 Chen 463/37
6,279,906 B1 * 8/2001 Sanderson et al. 273/148 B
D451,557 S * 12/2001 Yu D21/328
D497,365 S * 10/2004 Hussaini et al. D14/414
D522,516 S * 6/2006 Hussaini et al. D14/414

* cited by examiner

Primary Examiner—Prabhakar Deshmukh

(74) *Attorney, Agent, or Firm*—Cowan, Liebowitz & Latman, PC

(57) **CLAIM**

The ornamental design for a steering wheel including steering wheel for car and steering wheel for game controller, as shown and described.

DESCRIPTION

FIG. 1 is a front view of the steering wheel including steering wheel for car and steering wheel for game controller showing my design thereof;

FIG. 2 is a left side view thereof;

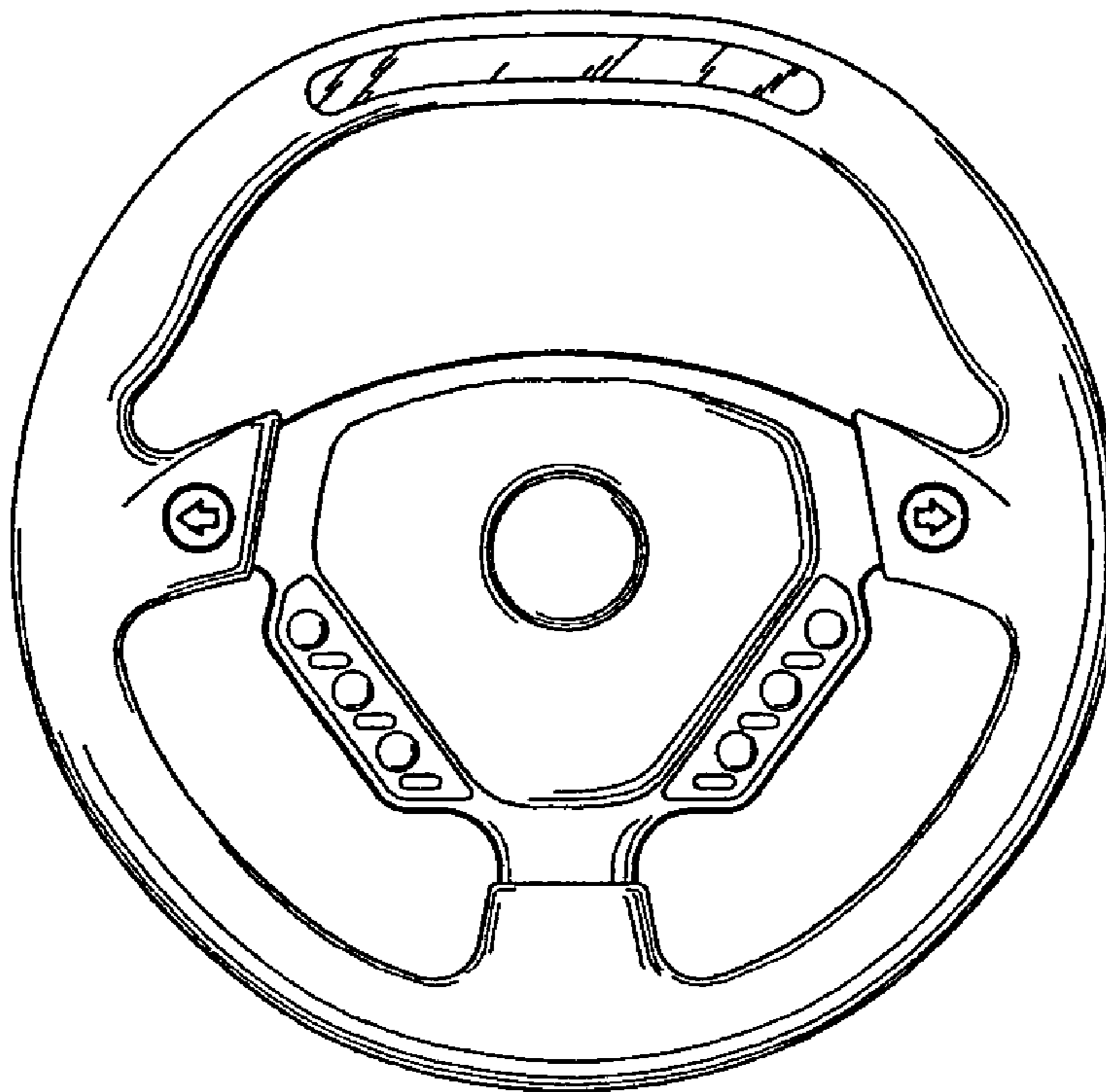
FIG. 3 is a right side view thereof;

FIG. 4 is a bottom view thereof;

FIG. 5 is a top view thereof; and,

FIG. 6 is a back view thereof.

1 Claim, 1 Drawing Sheet



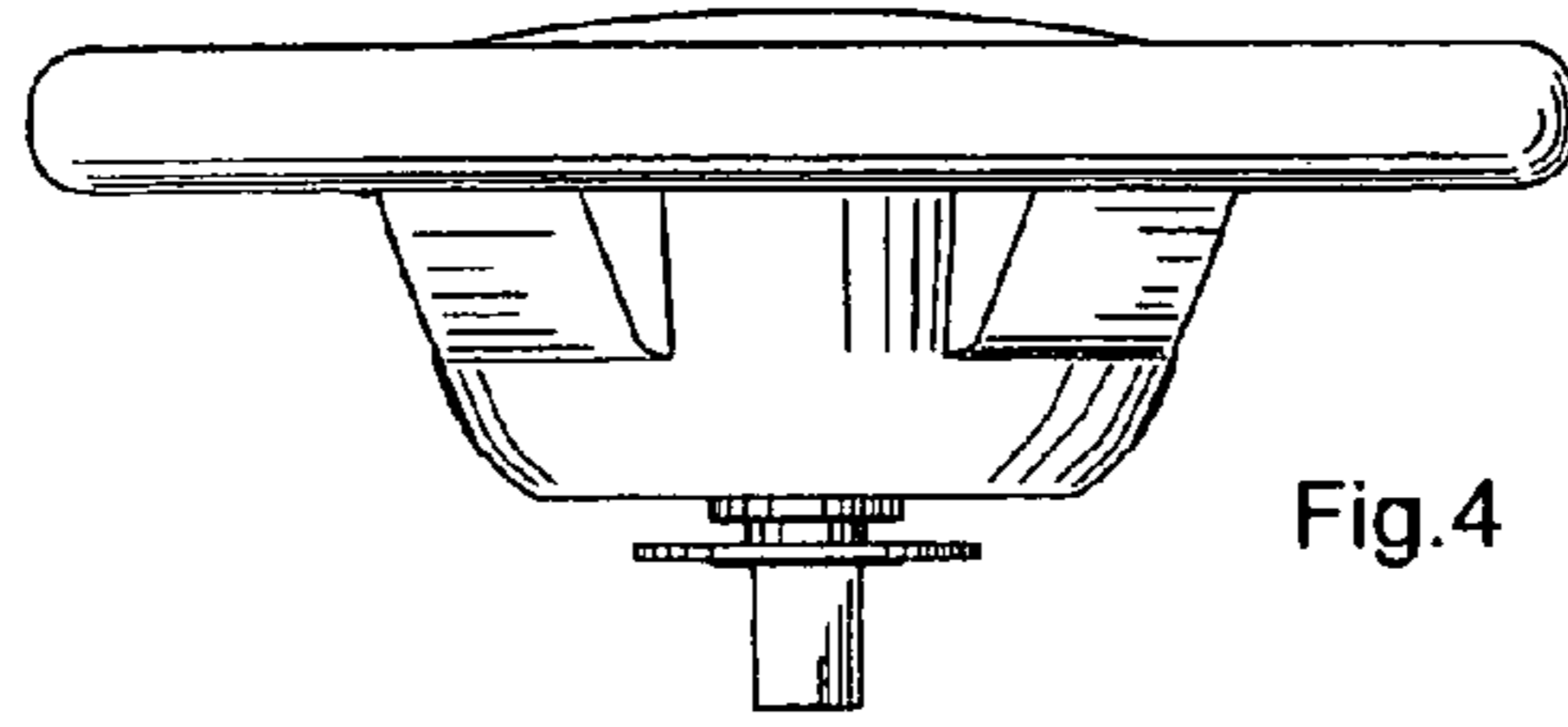


Fig.4

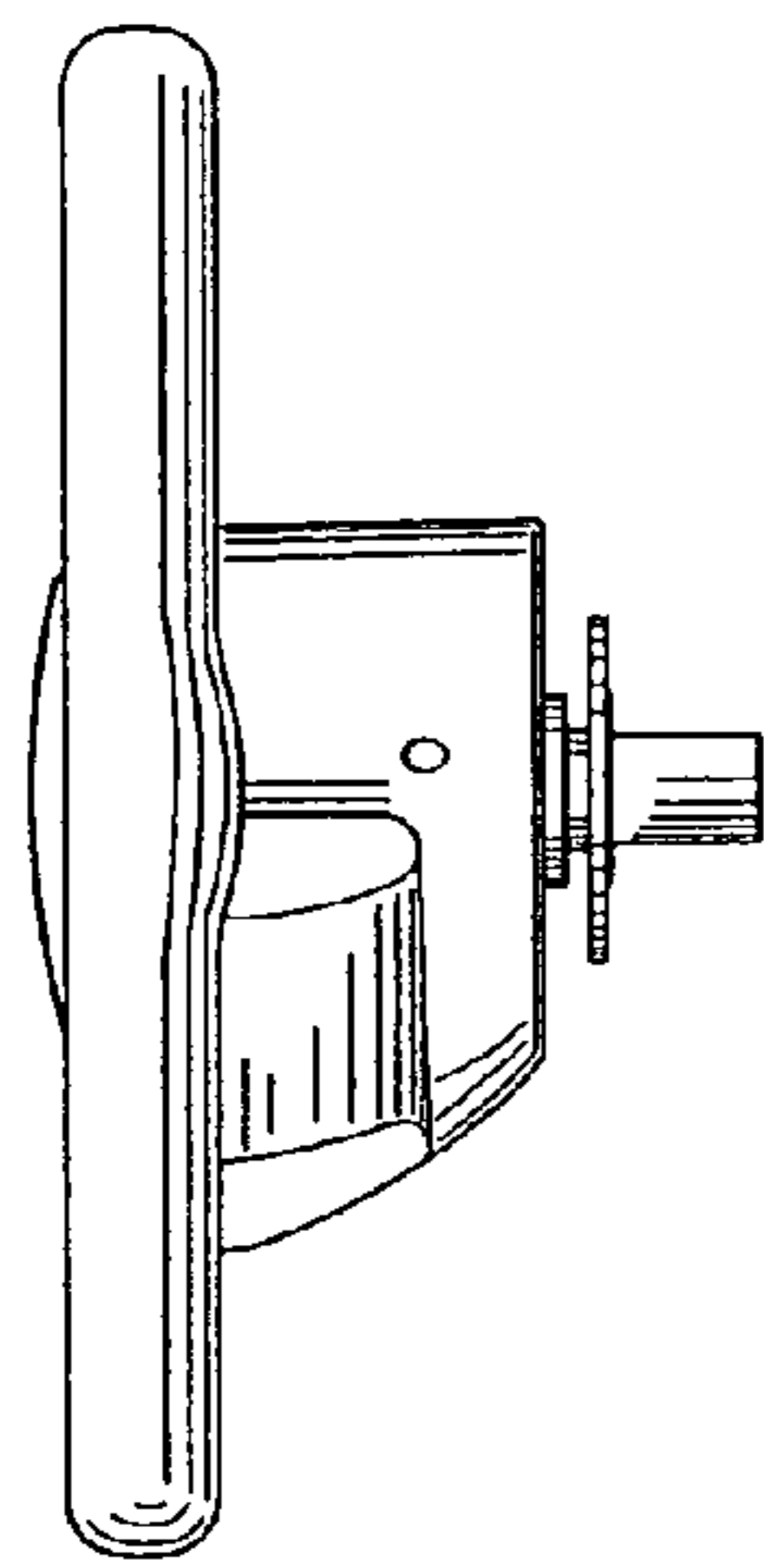


Fig.3

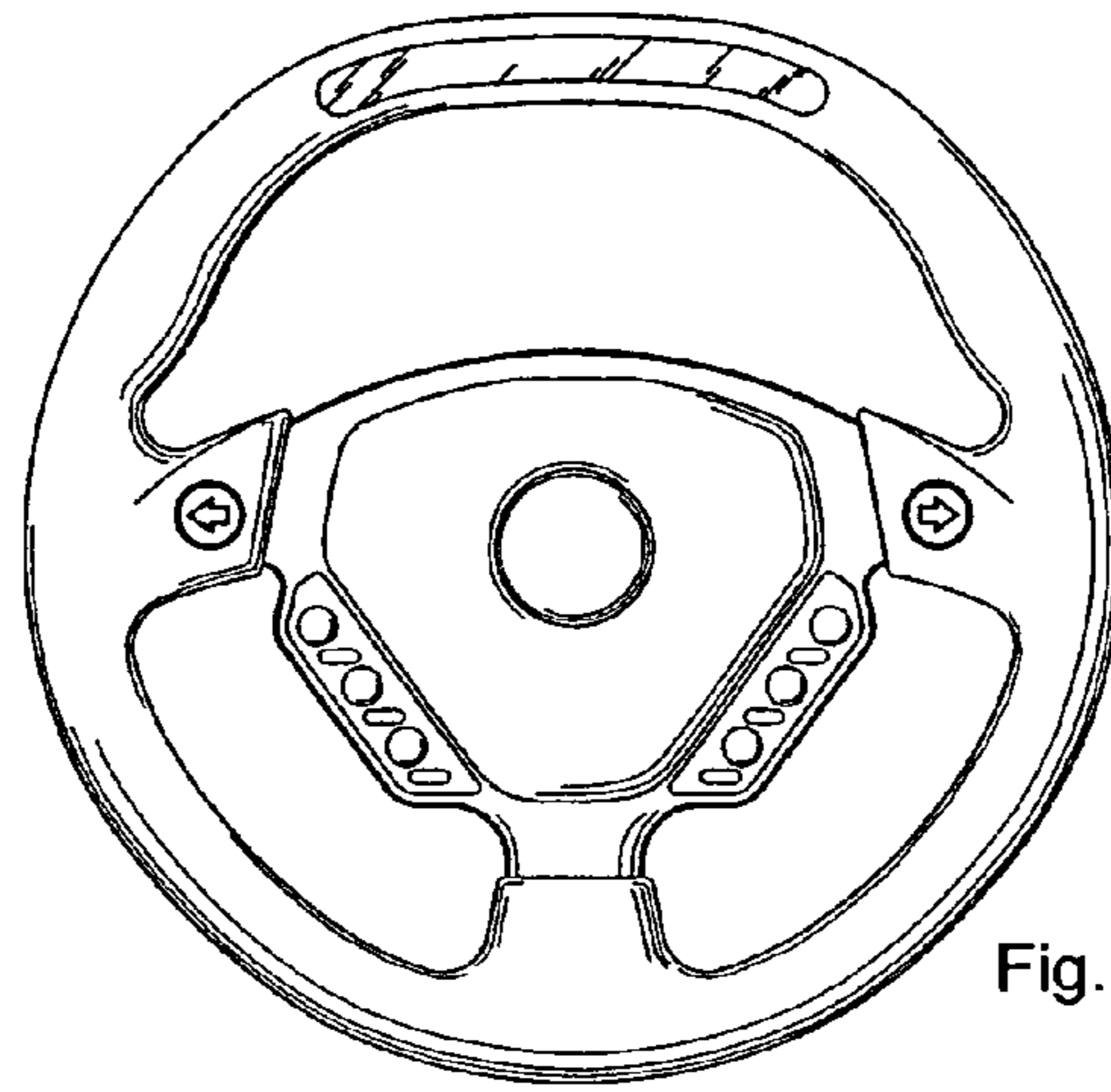


Fig.1

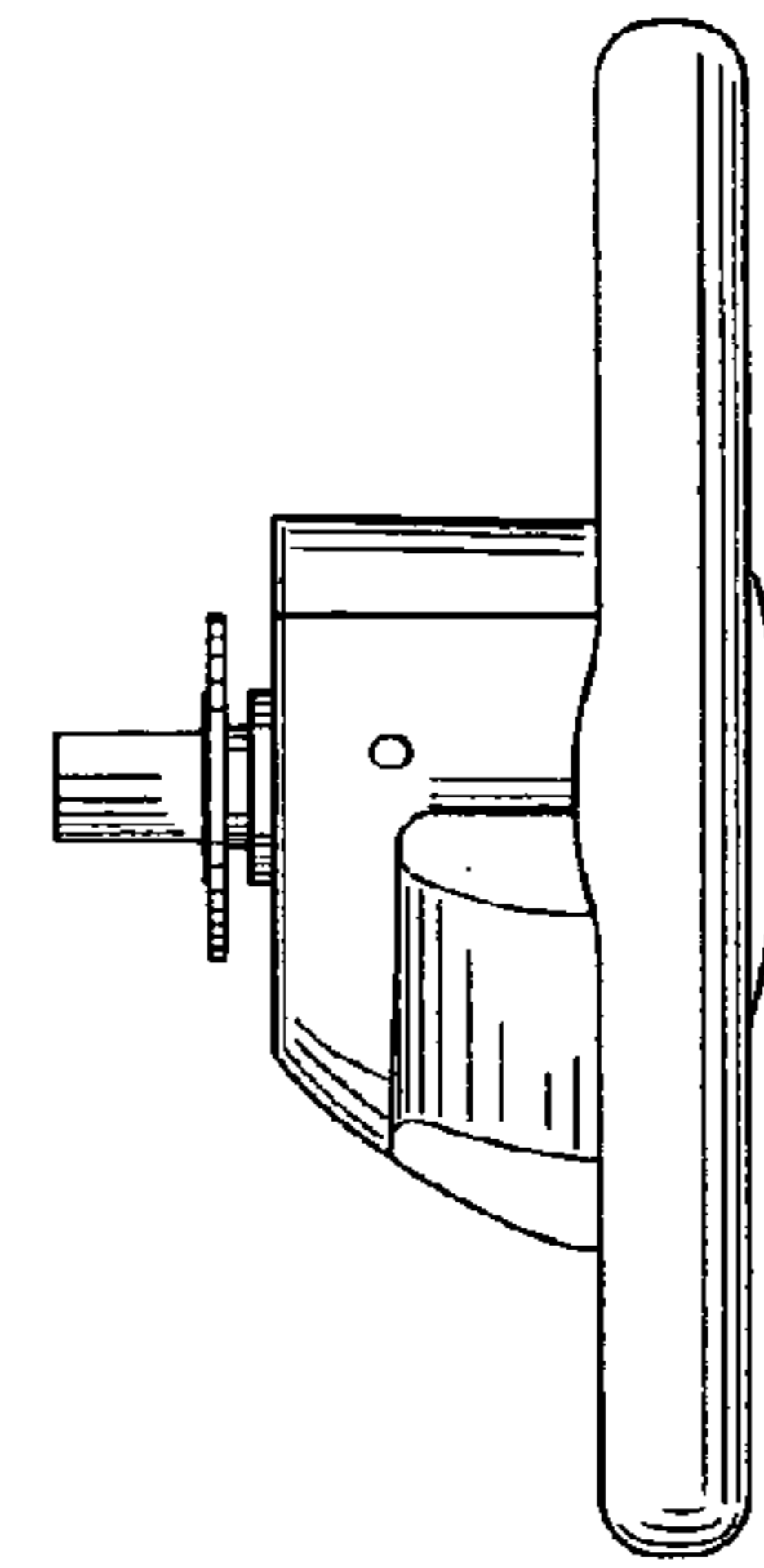


Fig.2

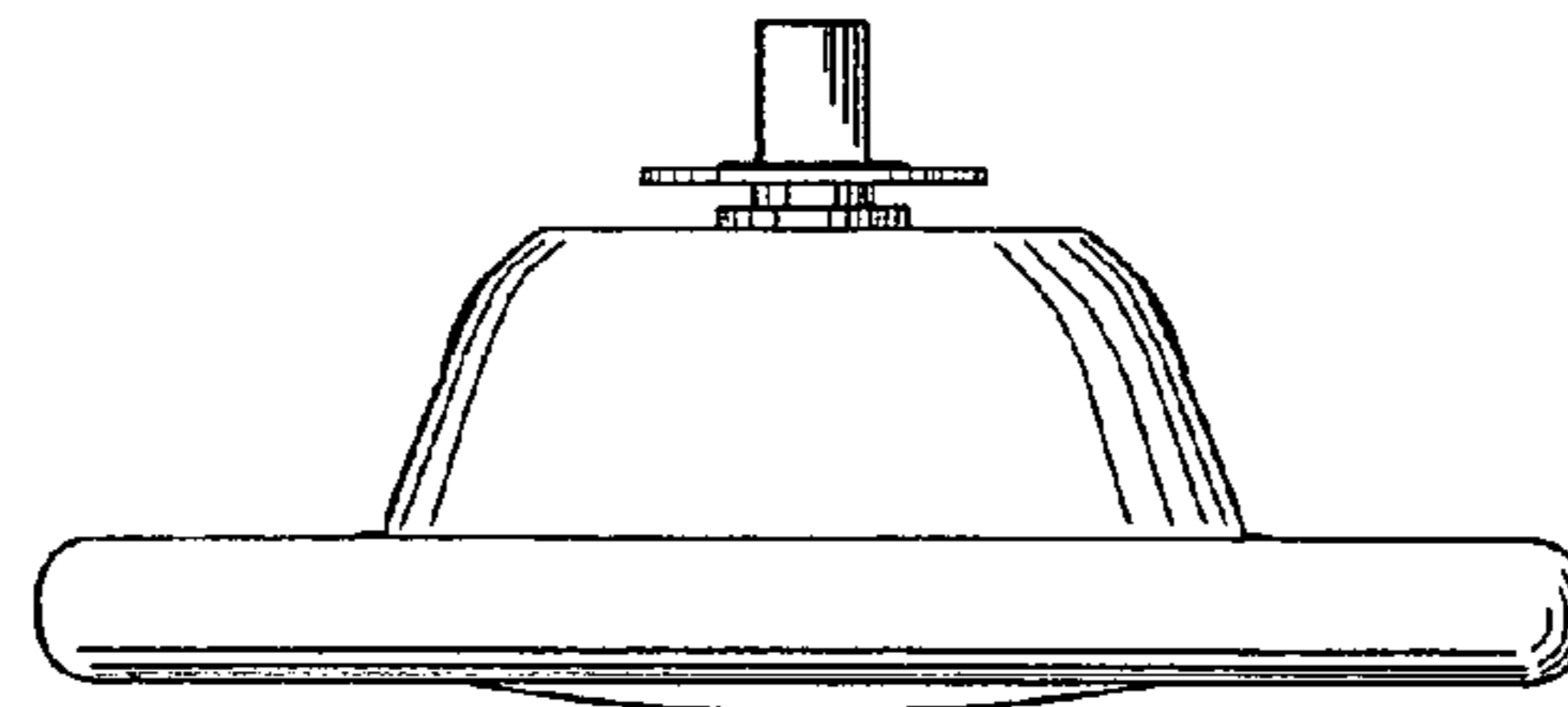


Fig.5

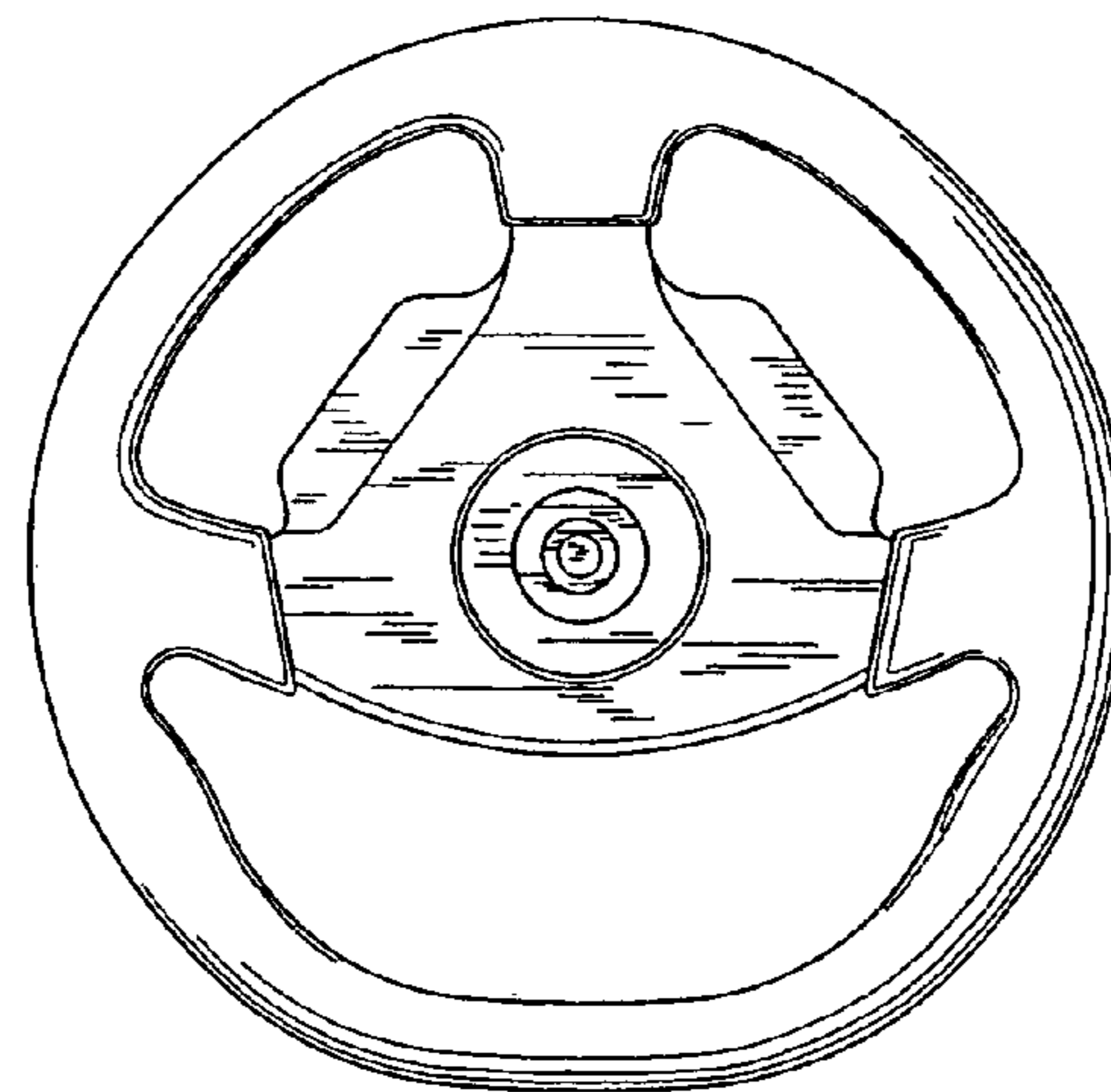


Fig.6