



US00D553621S

(12) **United States Design Patent**
Shimizu

(10) **Patent No.:** **US D553,621 S**

(45) **Date of Patent:** **** Oct. 23, 2007**

(54) **MOUSE**

D491,184 S * 6/2004 Shimizu D14/402

(75) Inventor: **Yosuke Shimizu**, Tokyo (JP)

(73) Assignee: **Sony Corporation**, Tokyo (JP)

(**) Term: **14 Years**

(21) Appl. No.: **29/243,290**

(22) Filed: **Nov. 23, 2005**

(30) **Foreign Application Priority Data**

Aug. 22, 2005 (JP) D2005-024054

(51) **LOC (8) Cl.** **14-02**

(52) **U.S. Cl.** **D14/408**

(58) **Field of Classification Search** D14/402-410,
D14/417; 235/472.01; 345/156-167; 365/49;
463/36-38; 200/5 A, 5 R, 6 A, 6 R; 273/148 B
See application file for complete search history.

(56) **References Cited**

U.S. PATENT DOCUMENTS

5,280,276 A *	1/1994	Kwok	345/167
D385,263 S *	10/1997	Taylor	D14/407
6,104,383 A *	8/2000	Shipman	345/163
D454,568 S *	3/2002	Andre et al.	D14/402
D470,495 S *	2/2003	Sheehan et al.	D14/409
D472,899 S *	4/2003	Hu et al.	D14/402

OTHER PUBLICATIONS

Web page "VGP-UMS50" <http://www.ecat.sony.co.jp/vaio/acc/acc.cfm?PD=21232>, 1 sheet, Sony (Sep. 2005).

Web page "VGP-WMS50" <http://www.ecat.sony.co.jp/vaio/acc/acc.cfm?PD=22337>, 1 sheet, Sony (Sep. 2005).

U.S. Appl. No. 29/235.016, filed Jul. 27, 2005.

U.S. Appl. No. 29/238,197, filed Sep. 13, 2005.

* cited by examiner

Primary Examiner—Pamela J. Burgess

(74) *Attorney, Agent, or Firm*—Rader, Fishman & Grauer PLLC

(57) **CLAIM**

The ornamental design for a mouse, as shown.

DESCRIPTION

FIG. 1 is a perspective view of a mouse showing my new design;

FIG. 2 is a front elevational view thereof;

FIG. 3 is a rear elevational view thereof;

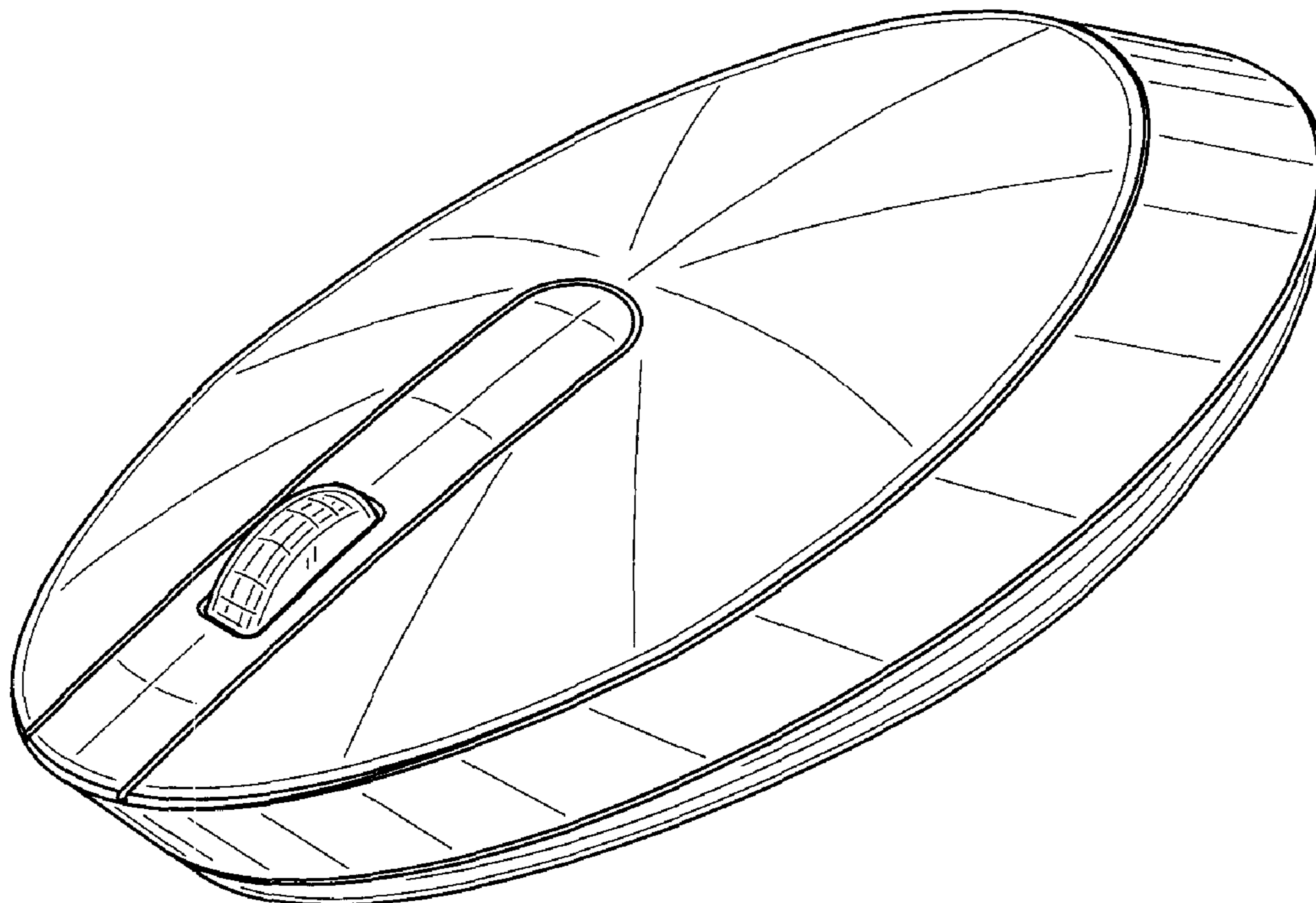
FIG. 4 is a left side elevational view thereof;

FIG. 5 is a right side elevational view thereof;

FIG. 6 is a top plan view thereof; and,

FIG. 7 is a bottom plan view thereof.

1 Claim, 7 Drawing Sheets



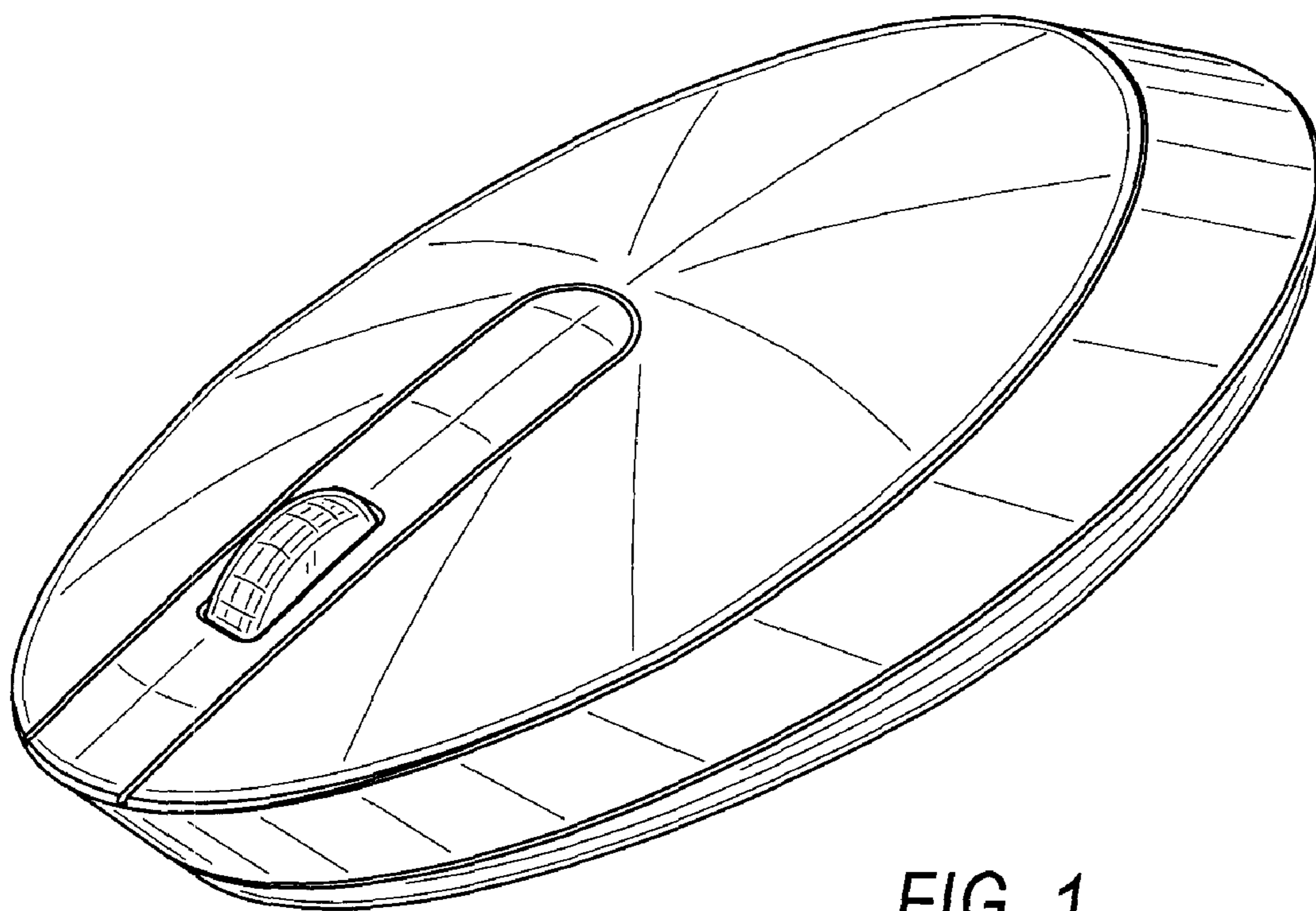


FIG. 1

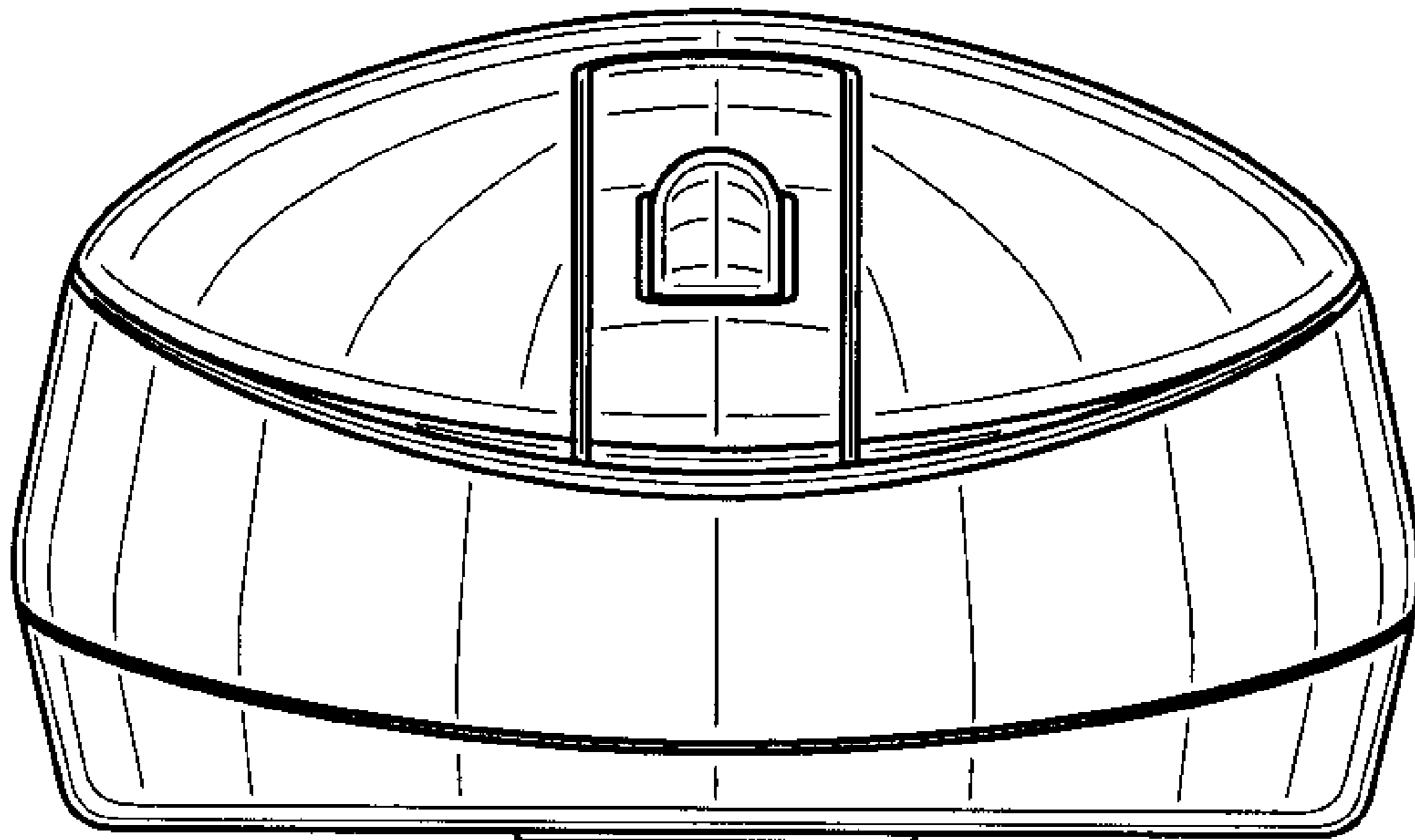


FIG. 2

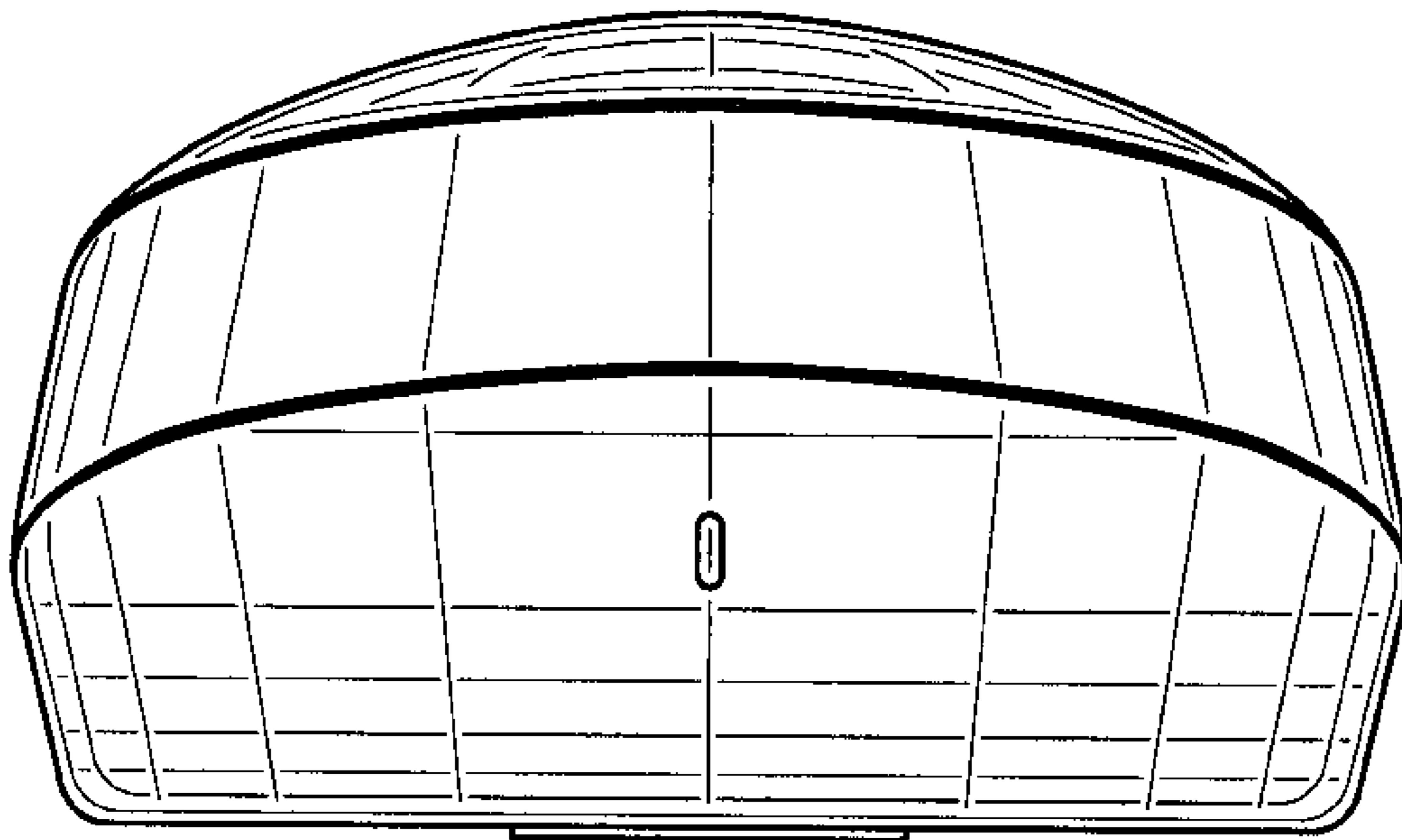


FIG. 3

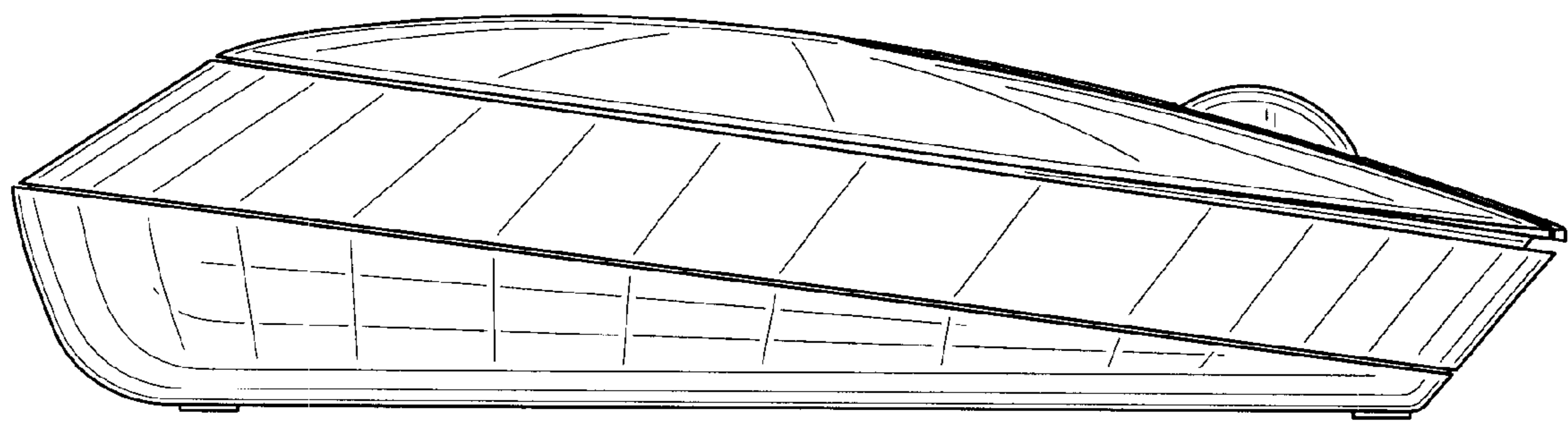


FIG. 4

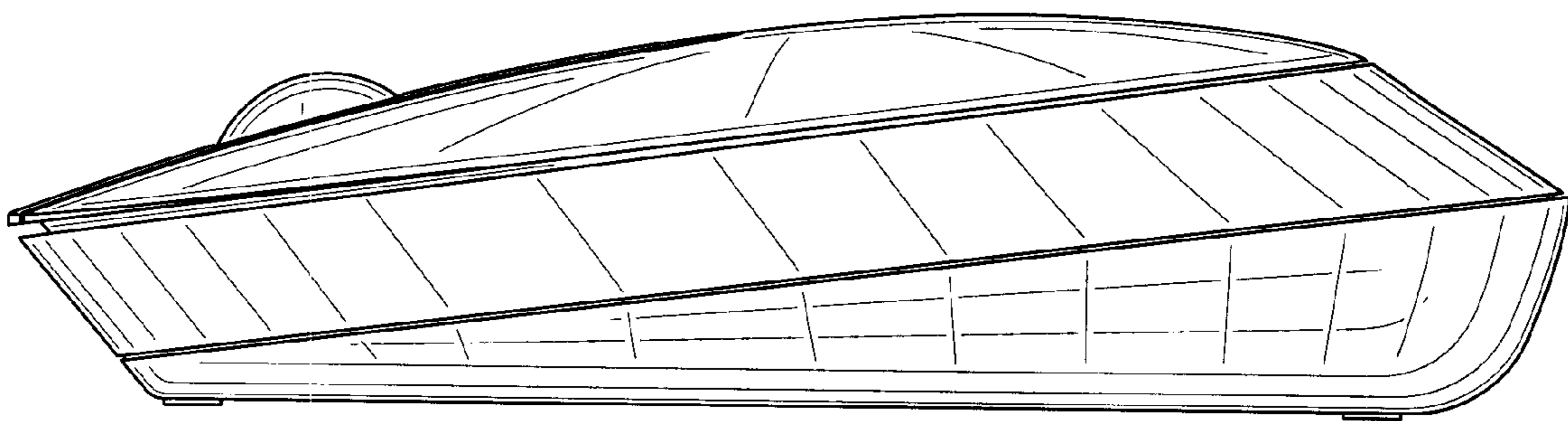


FIG. 5

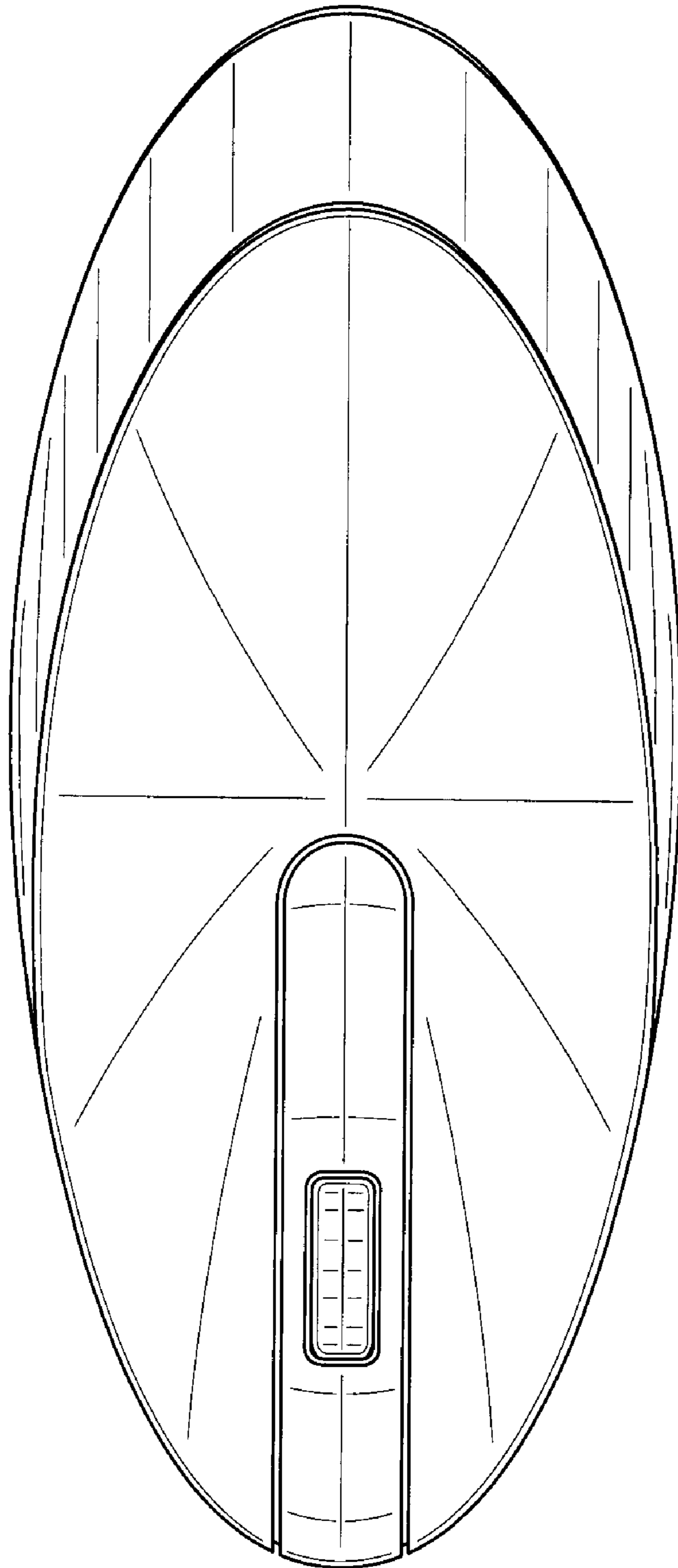


FIG. 6

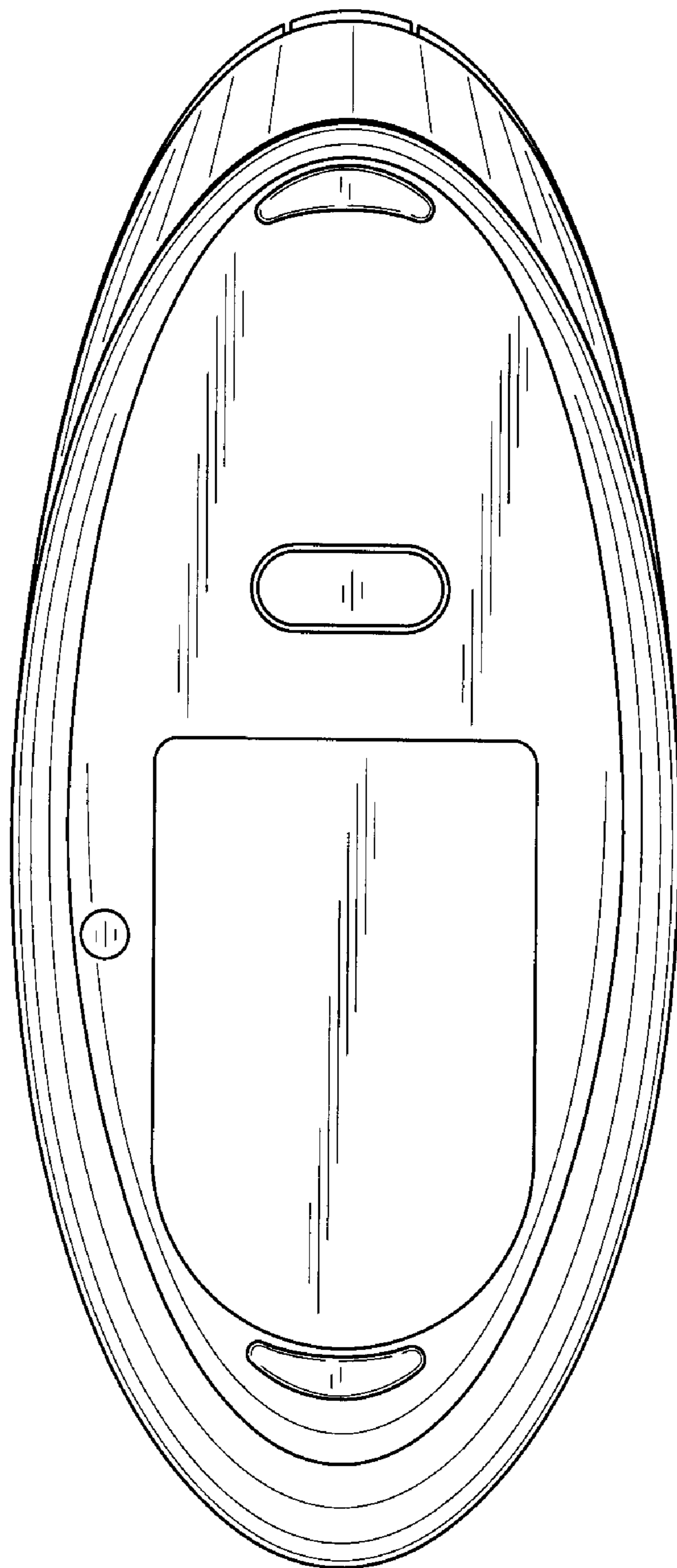


FIG. 7