



US00D553620S

(12) **United States Design Patent**
Schroeder

(10) **Patent No.:** **US D553,620 S**

(45) **Date of Patent:** **** Oct. 23, 2007**

(54) **INPUT DEVICE FOR
COMPUTER-CONTROLLED SYSTEMS**

(75) Inventor: **Michael Schroeder**, Turkheim (DE)

(73) Assignee: **3 Dconnexion GmbH**, Seefeld (DE)

(**) Term: **14 Years**

(21) Appl. No.: **29/229,126**

(22) Filed: **May 3, 2005**

(30) **Foreign Application Priority Data**

Nov. 4, 2004 (EM) 000250071-0001/-0009

(51) **LOC (8) Cl.** **14-02**

(52) **U.S. Cl.** **D14/402**; D14/217; D14/399

(58) **Field of Classification Search** D14/399-417,
D14/217, 496; 273/148 B, 148 A; 345/156-167,
345/905; 74/71 XY; 463/1, 36-38, 46,
463/47; 200/5 R, 5 A, 6 A, 6 R

See application file for complete search history.

(56) **References Cited**

U.S. PATENT DOCUMENTS

5,643,087 A * 7/1997 Marcus et al. 463/38
D385,854 S * 11/1997 Sumii D14/399
5,717,938 A * 2/1998 Garthwaite et al. 704/1
D398,912 S * 9/1998 Phillips D14/399

5,865,677 A * 2/1999 Goldfarb et al. 463/9
D421,975 S * 3/2000 Steel D14/399
D446,521 S * 8/2001 Han et al. D14/402
D453,932 S * 2/2002 Han et al. D14/401
6,399,904 B1 * 6/2002 Mimata 200/6 A
6,429,767 B1 * 8/2002 Shimomura 338/128
D462,686 S * 9/2002 Nakata D14/417
D491,945 S * 6/2004 Sheehan et al. D14/399

* cited by examiner

Primary Examiner—Prabhakar Deshmukh

(74) *Attorney, Agent, or Firm*—Marshall, Gerstein & Borun
LLP

(57) **CLAIM**

The ornamental design for an input device for computer-
controlled systems, as shown and described.

DESCRIPTION

FIG. 1 is a perspective view of an input device for computer-
controlled systems showing my new design;

FIG. 2 is a top plan view thereof;

FIG. 3 is a right side elevational view thereof;

FIG. 4 is a bottom plan view thereof;

FIG. 5 is a top plan view thereof; and,

FIG. 6 is a left side elevational view thereof.

1 Claim, 5 Drawing Sheets

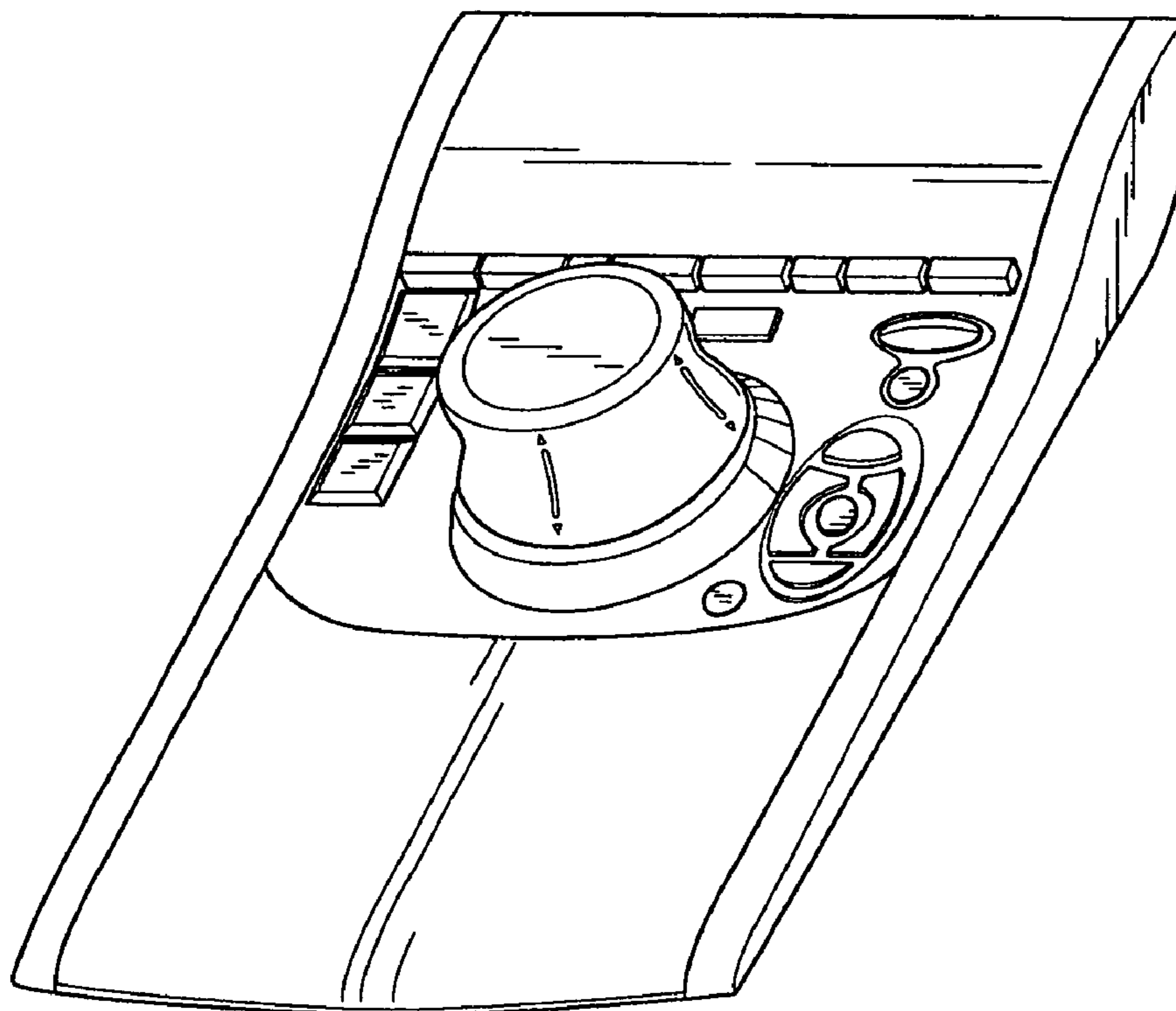


FIG. 1

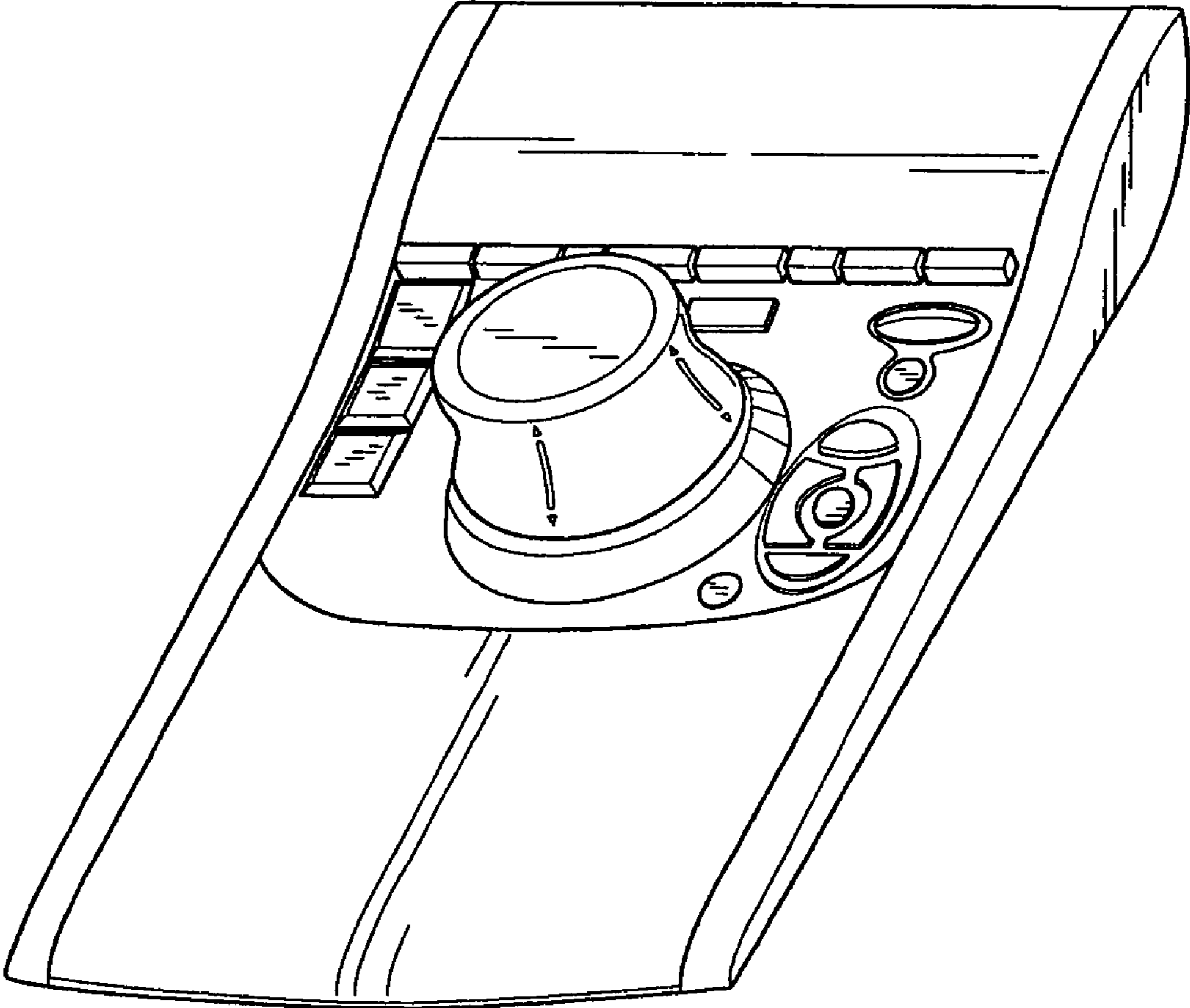


FIG. 2

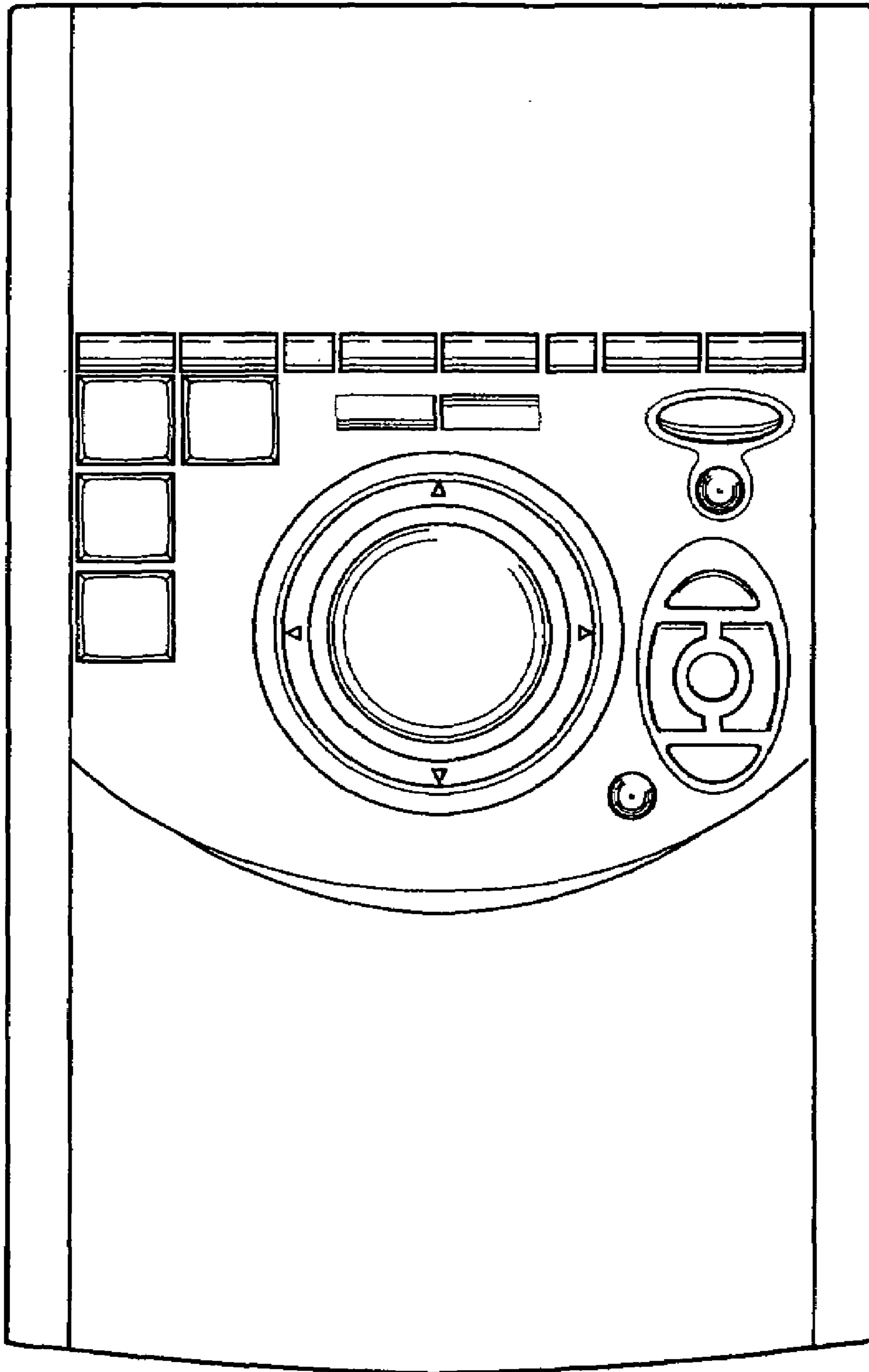


FIG. 3

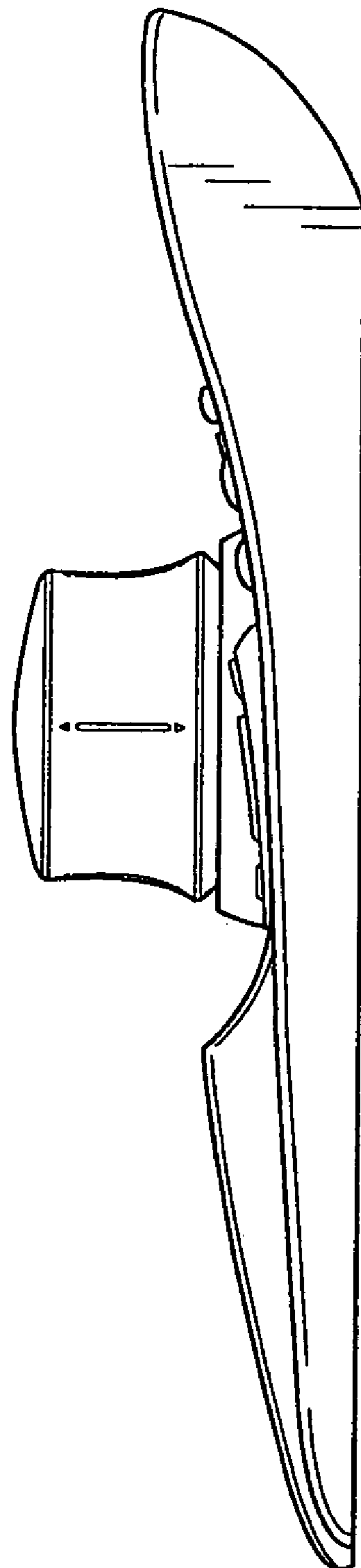


FIG. 4

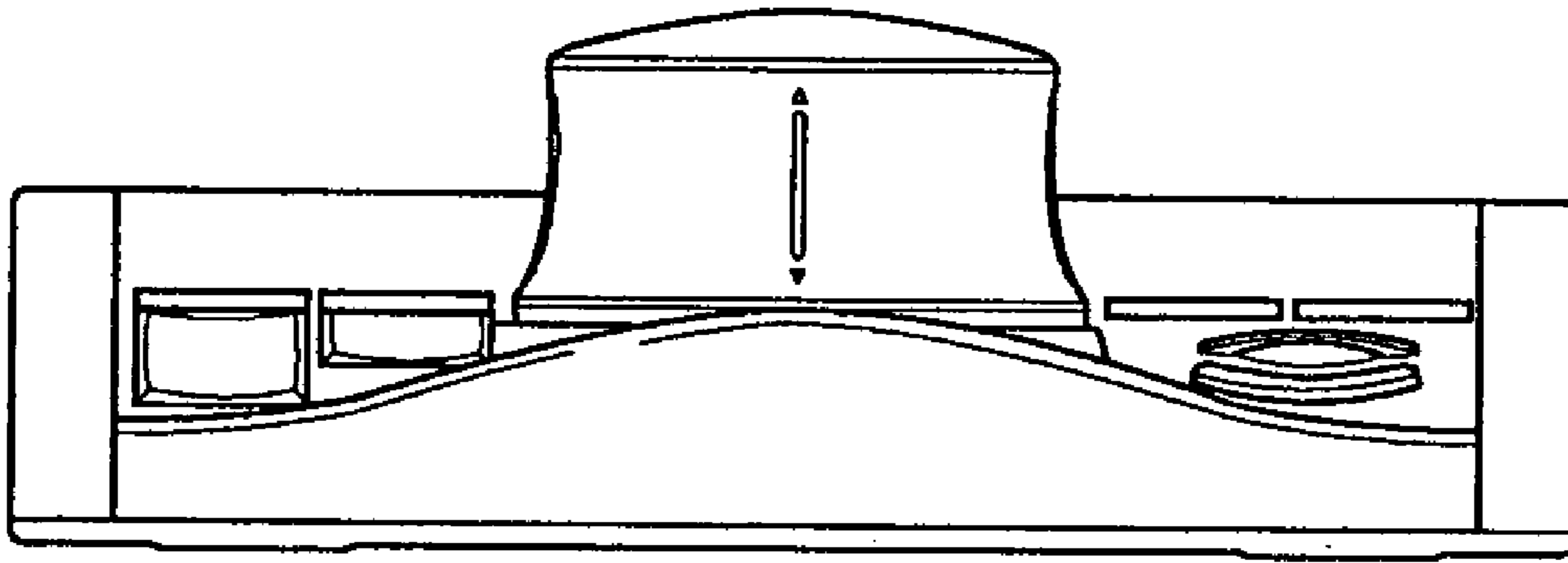


FIG. 5

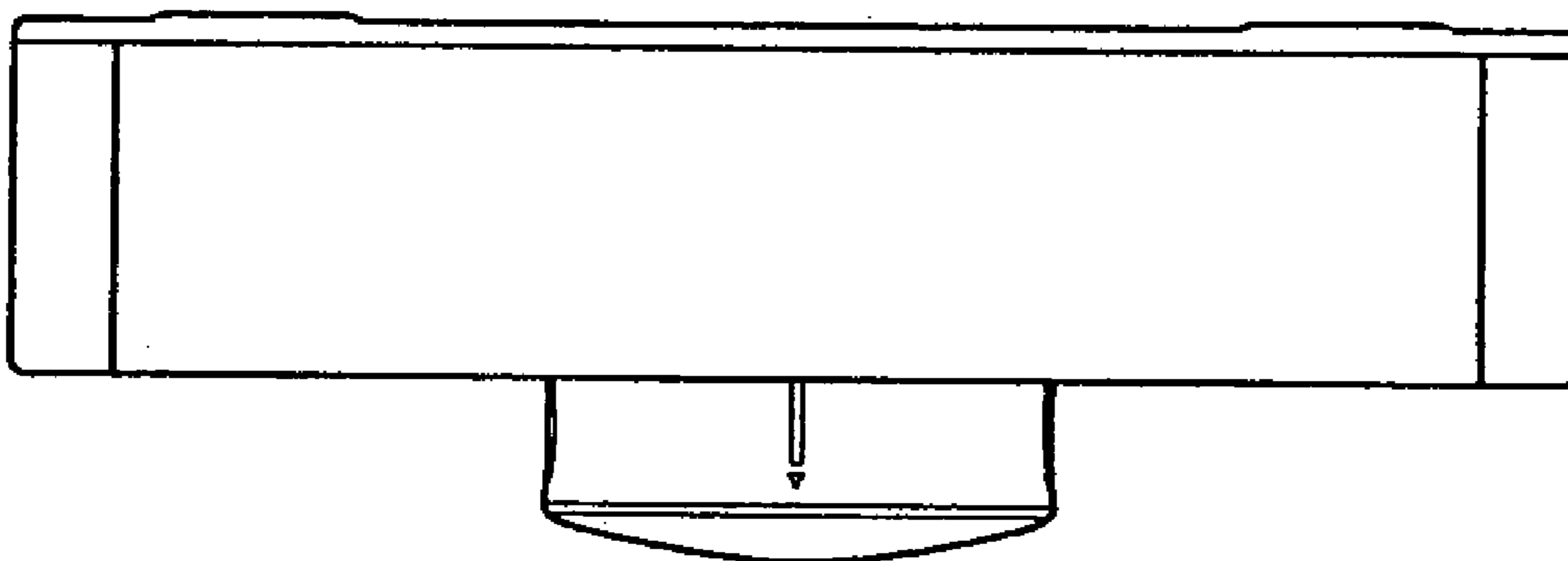


FIG. 6

