



US00D553619S

(12) **United States Design Patent**
Mak et al.

(10) **Patent No.:** **US D553,619 S**
(45) **Date of Patent:** **** Oct. 23, 2007**

(54) **VIDEO GAME CONTROLLER WITH
ROTATIONAL ELEMENT**

(75) Inventors: **Pui See (Stephine) Mak**, Hong Kong (CN); **Donny Chi Kit Leung**, Hong Kong (CN)

(73) Assignee: **VTech Electronics, Ltd**, Tai Po, N.T. (HK)

(**) Term: **14 Years**

(21) Appl. No.: **29/241,010**

(22) Filed: **Oct. 21, 2005**

(51) **LOC (8) Cl.** **14-02**

(52) **U.S. Cl.** **D14/401**

(58) **Field of Classification Search** D14/356,
D14/388, 399, 400, 432, 454-457, 412-416,
D14/401; D21/324, 333; 463/1, 30, 36-38,
463/46-47; 273/148 B, 148 R; 345/156-161,
345/905

See application file for complete search history.

(56) **References Cited**

U.S. PATENT DOCUMENTS

D402,317 S * 12/1998 Goto D21/333

(Continued)

Primary Examiner—Stella Reid

Assistant Examiner—Keli' L. Acker

(74) *Attorney, Agent, or Firm*—Greenberg Traurig, LLP

(57) **CLAIM**

The ornamental design for video game controller with rotational element, as shown and described.

DESCRIPTION

FIG. 1 is rear elevational view of the video game controller with rotational element according to the invention, showing our new ornamental design;

FIG. 2 is a top plan view thereof;

FIG. 3 is a front elevational view thereof;

FIG. 4 is a left side elevational view thereof;

FIG. 5 is a right side elevational view thereof;

FIG. 6 is rear elevational view of the video game controller with the rotational element in another position;

FIG. 7 is a top plan view of the video game controller with the rotational element positioned as shown in FIG. 6;

FIG. 8 is a front elevational view of the video game controller with the rotational element positioned as shown in FIG. 6;

FIG. 9 is a left side elevational view of the video game controller with the rotational element positioned as shown in FIG. 6;

FIG. 10 is a right side elevational view of the video game controller with the rotational element positioned as shown in FIG. 6;

FIG. 11 is a rear elevational view of the video game controller with the rotational element in yet another position;

FIG. 12 is a top plan view of the video game controller with the rotational element in still another position;

FIG. 13 is a front elevational view of the video game controller with the rotational element positioned as shown in FIG. 11;

FIG. 14 is a left side elevational view of the video game controller with the rotational element positioned as shown in FIG. 11;

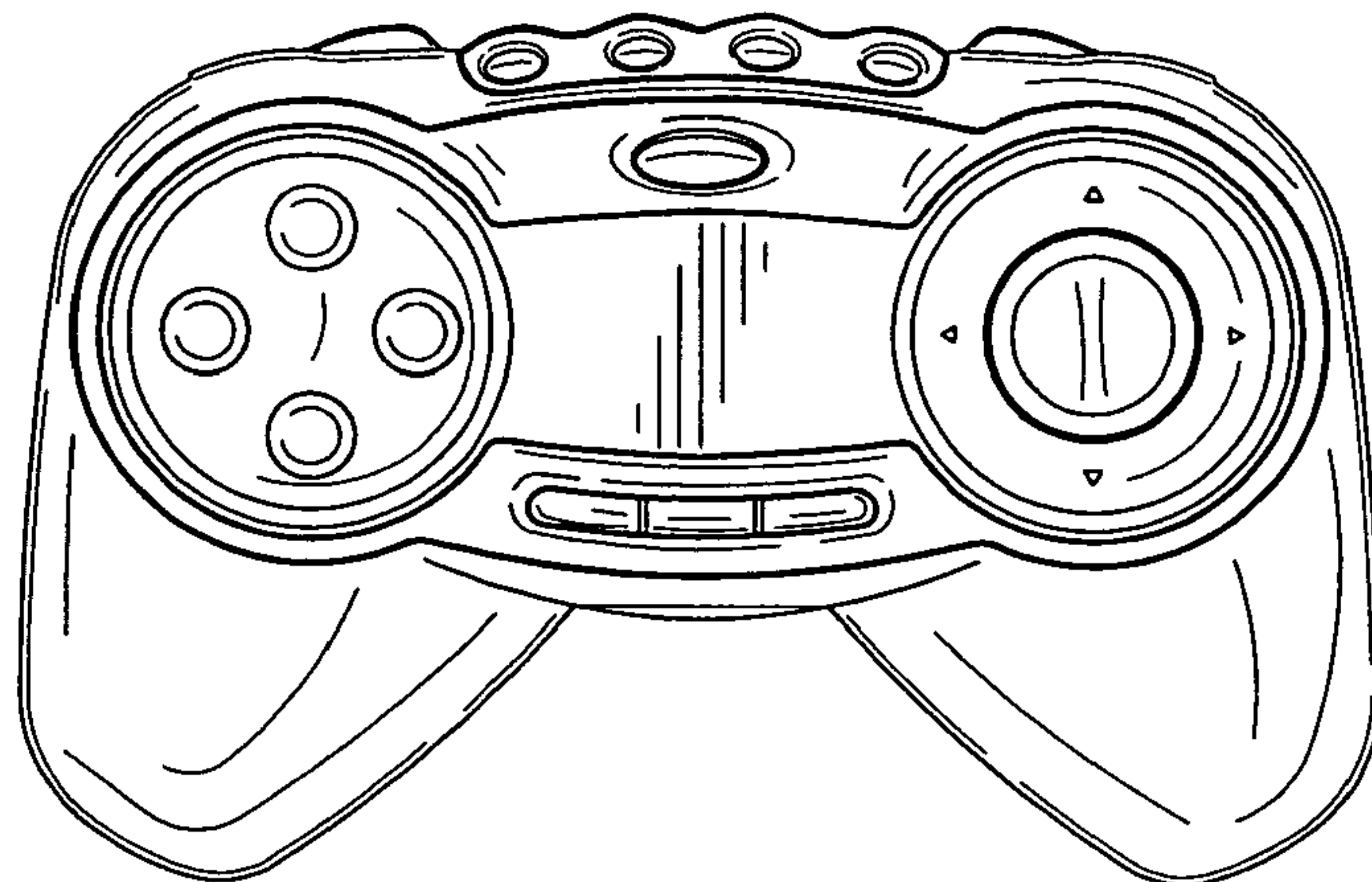
FIG. 15 is a right side elevational view of the video game controller with the rotational element positioned as shown in FIG. 11; and,

FIG. 16 is a side perspective view of the video game controller with the rotational element positioned as shown in FIG. 1.

Shading does not form part of the claimed design, except for purposes of indicating physical contours.

The bottoms of the video game controller with rotational element are plain and include no surface ornamentation.

1 Claim, 5 Drawing Sheets



US D553,619 S

Page 2

U.S. PATENT DOCUMENTS

| | | | | | | | |
|--------------|---------|----------------------|---------|----------------|--------|----------------------|---------|
| D444,469 S * | 7/2001 | Goto | D14/413 | D478,590 S * | 8/2003 | Hussaini et al. | D14/401 |
| D451,513 S * | 12/2001 | Stewart et al. | D14/401 | D508,052 S * | 8/2005 | Kit et al. | D14/413 |
| D476,336 S * | 6/2003 | Stephens et al. | D14/415 | 6,998,548 B2 * | 2/2006 | Huang | 463/38 |

* cited by examiner

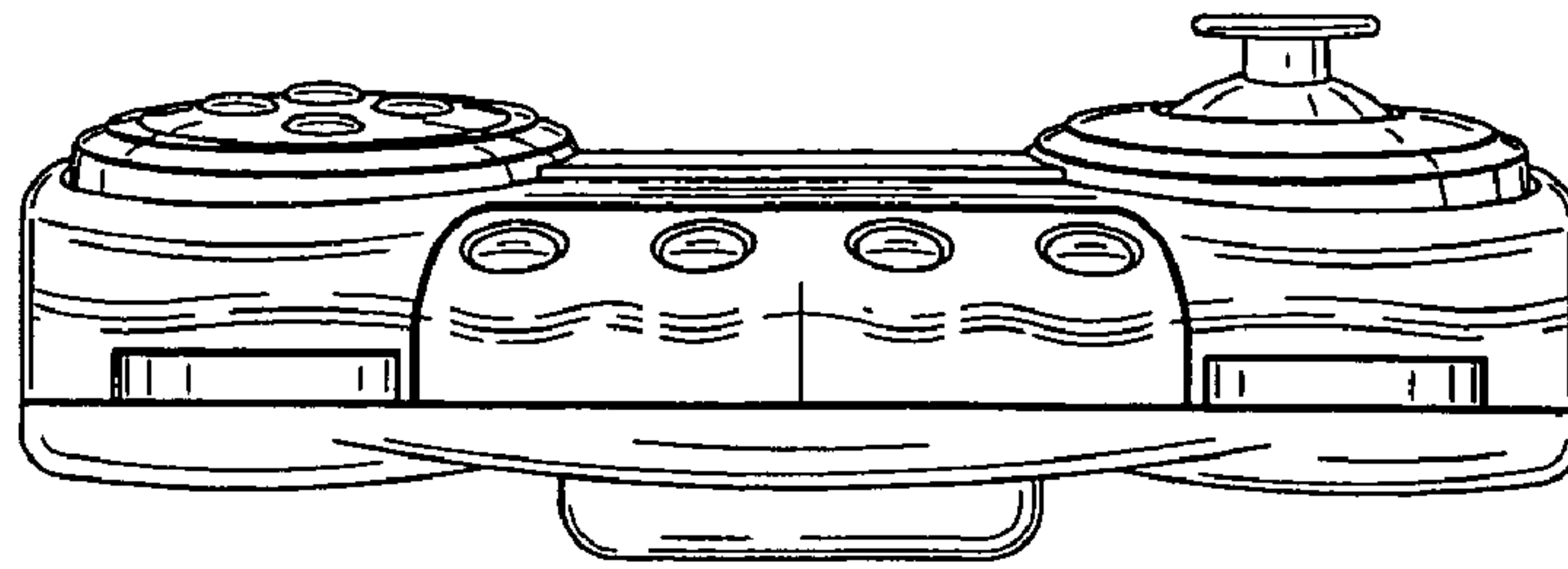


FIG. 1

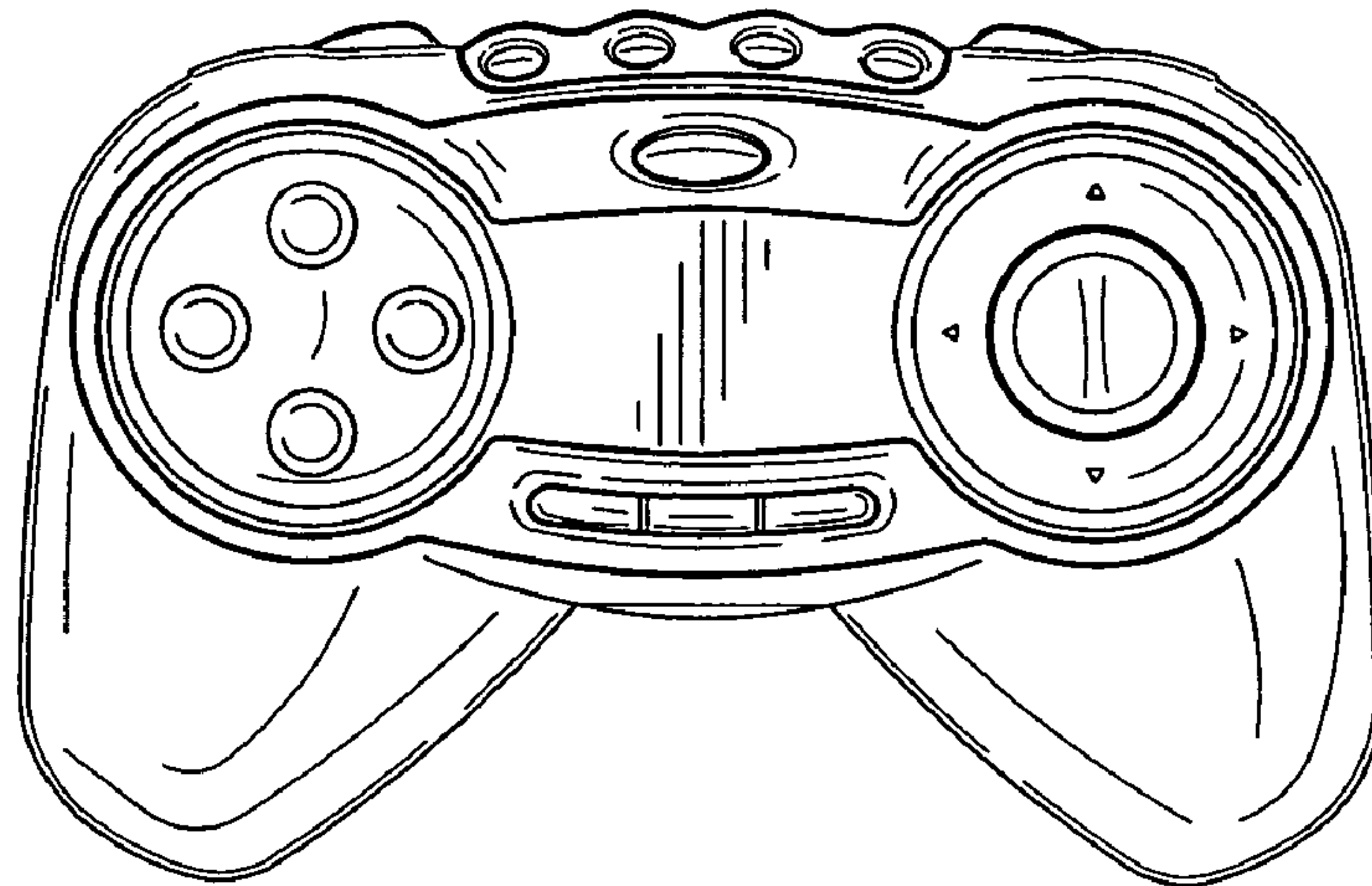


FIG. 2

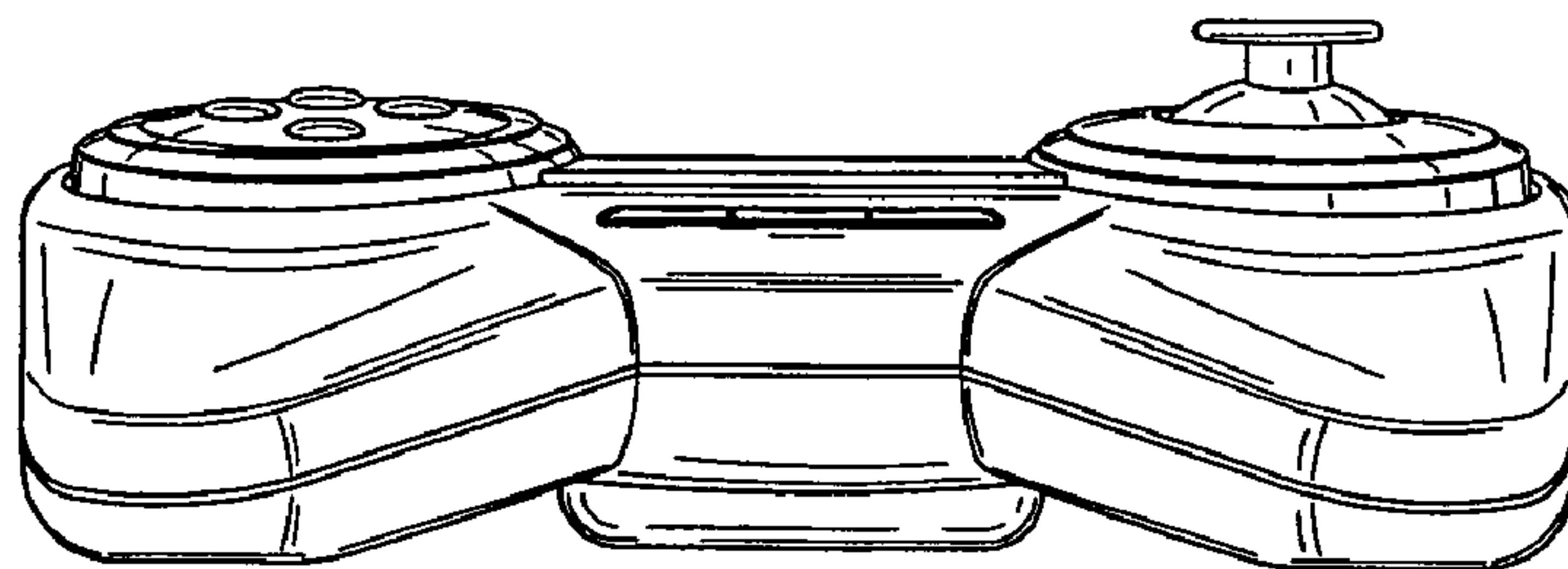


FIG. 3

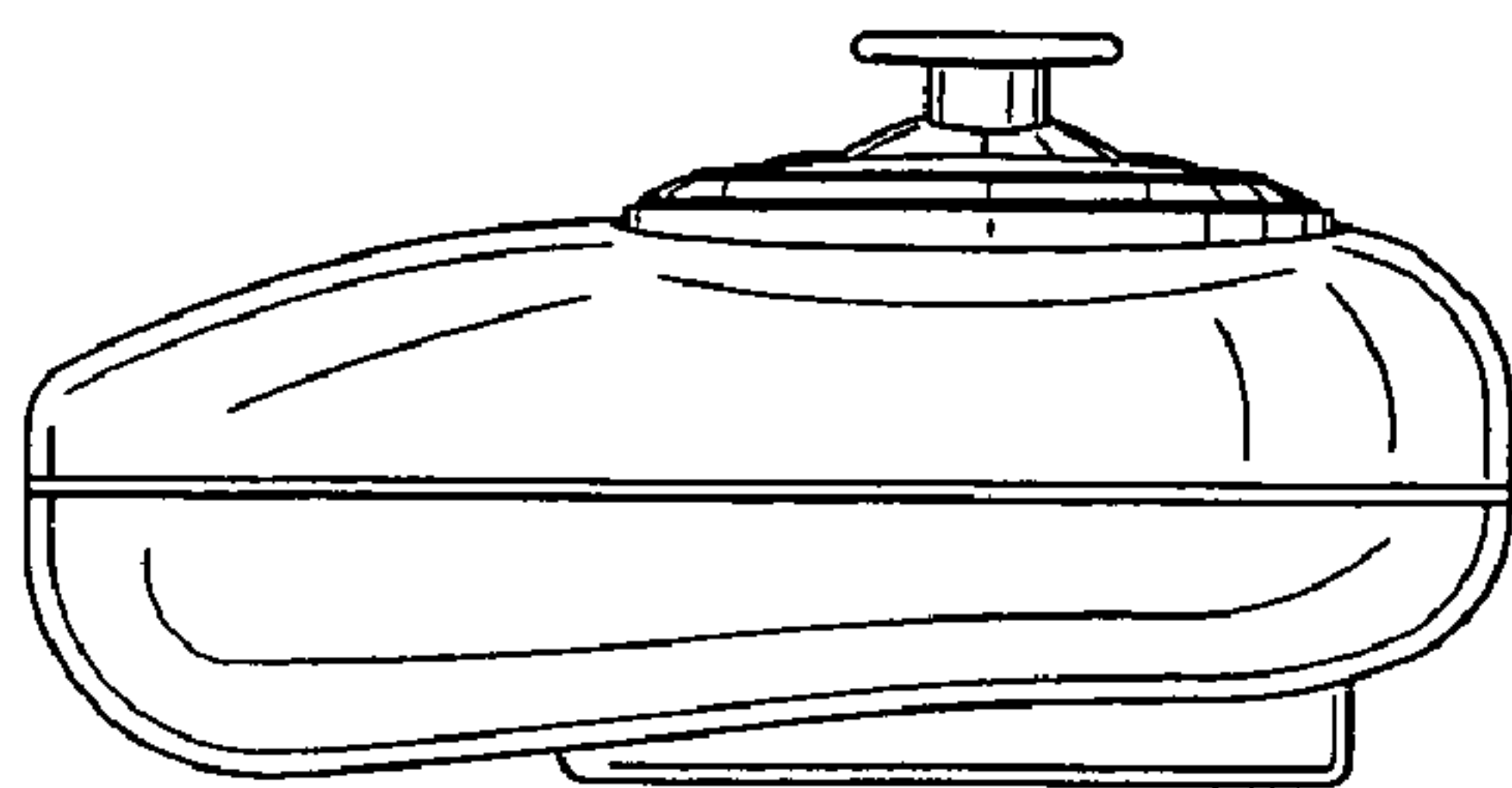


FIG. 4

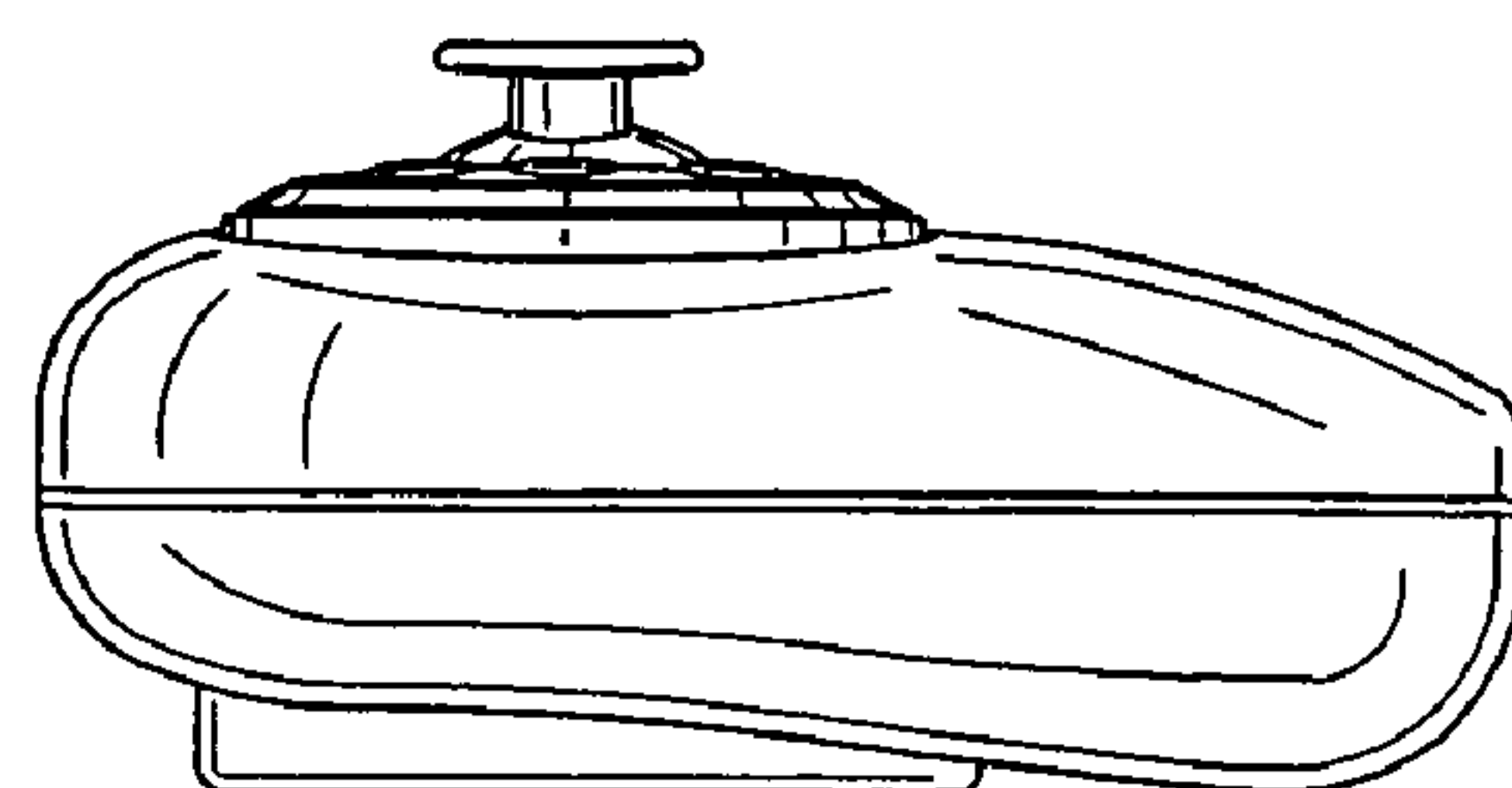


FIG. 5

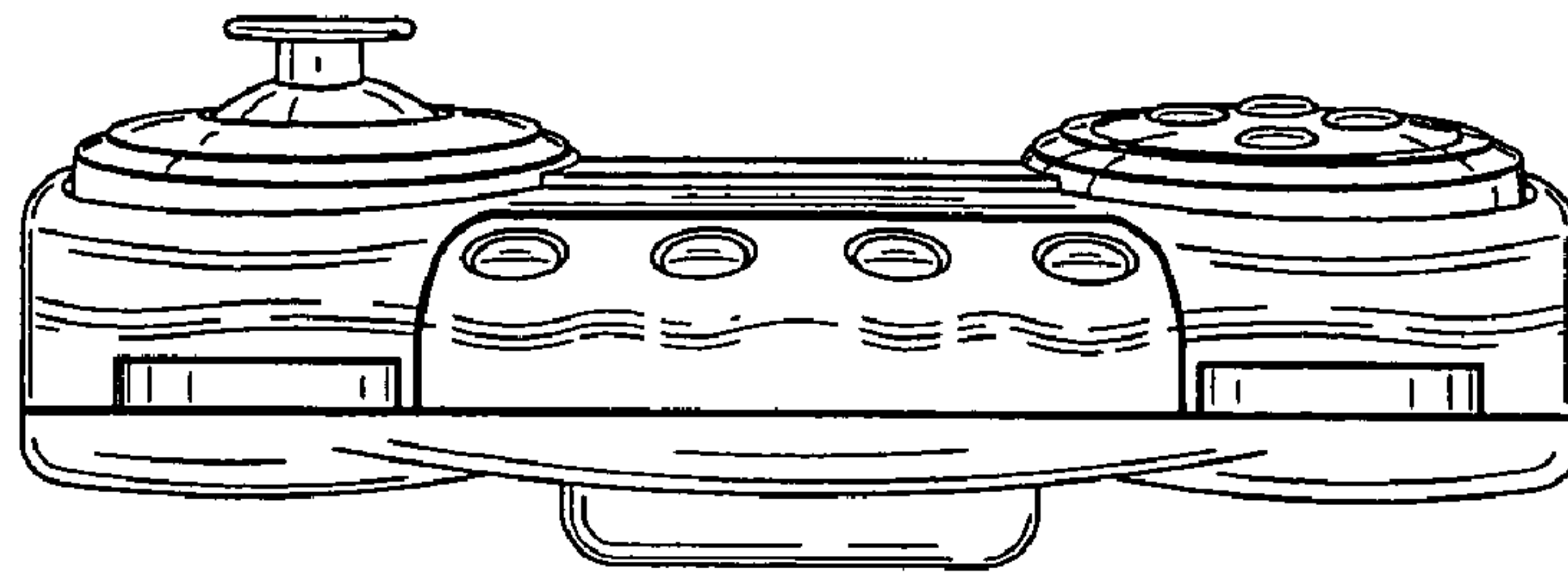


FIG. 6

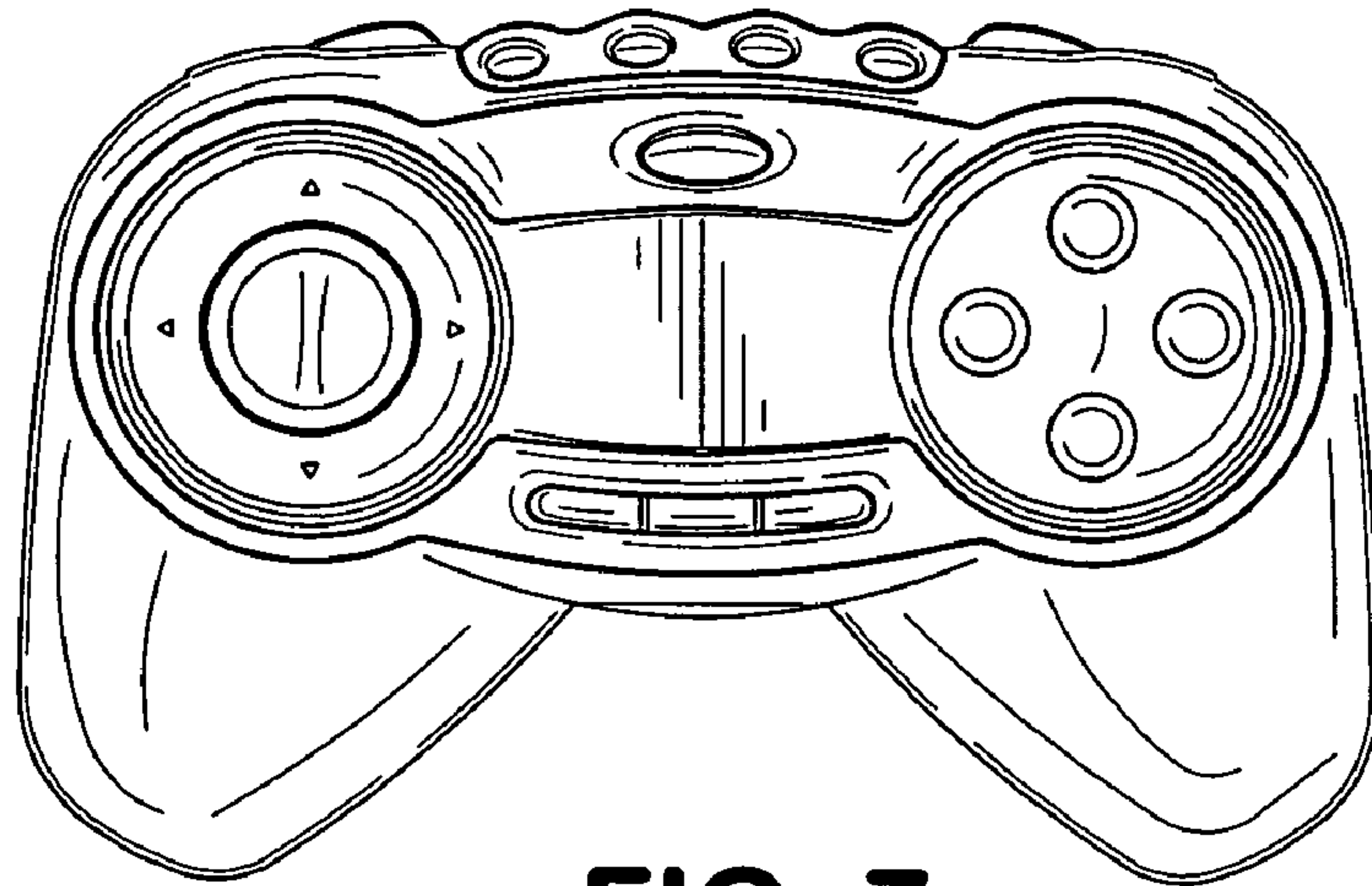


FIG. 7

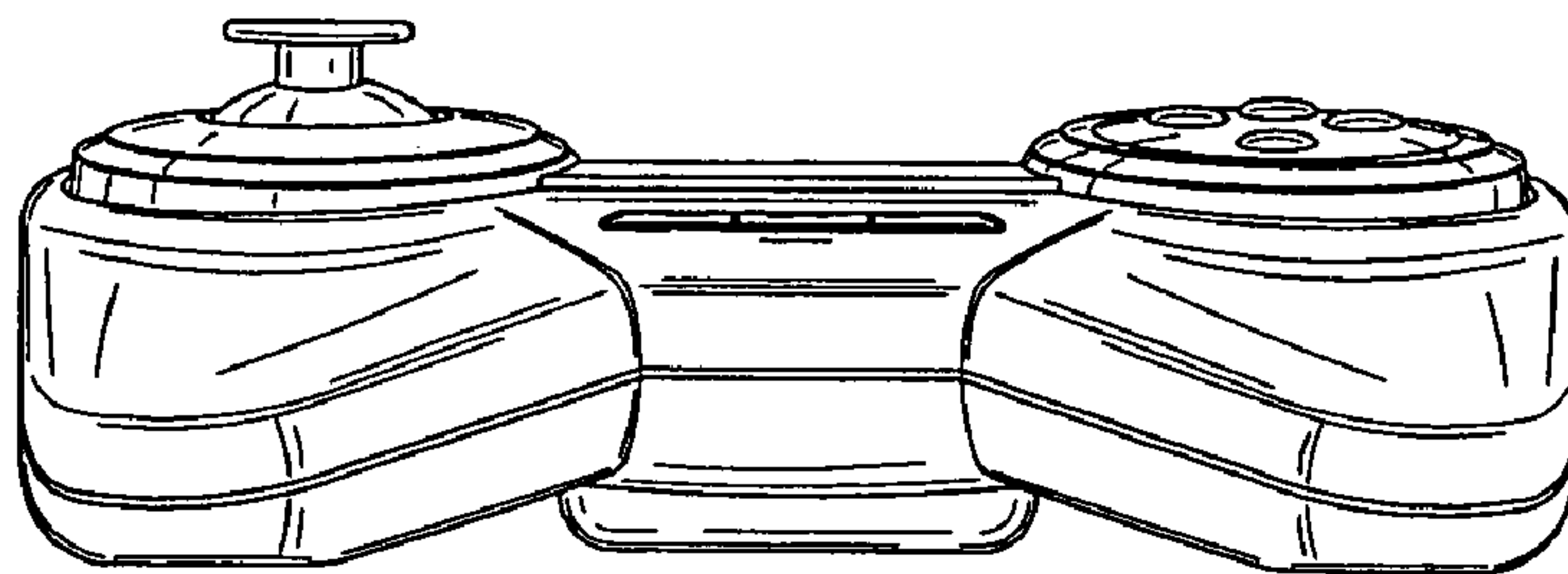


FIG. 8

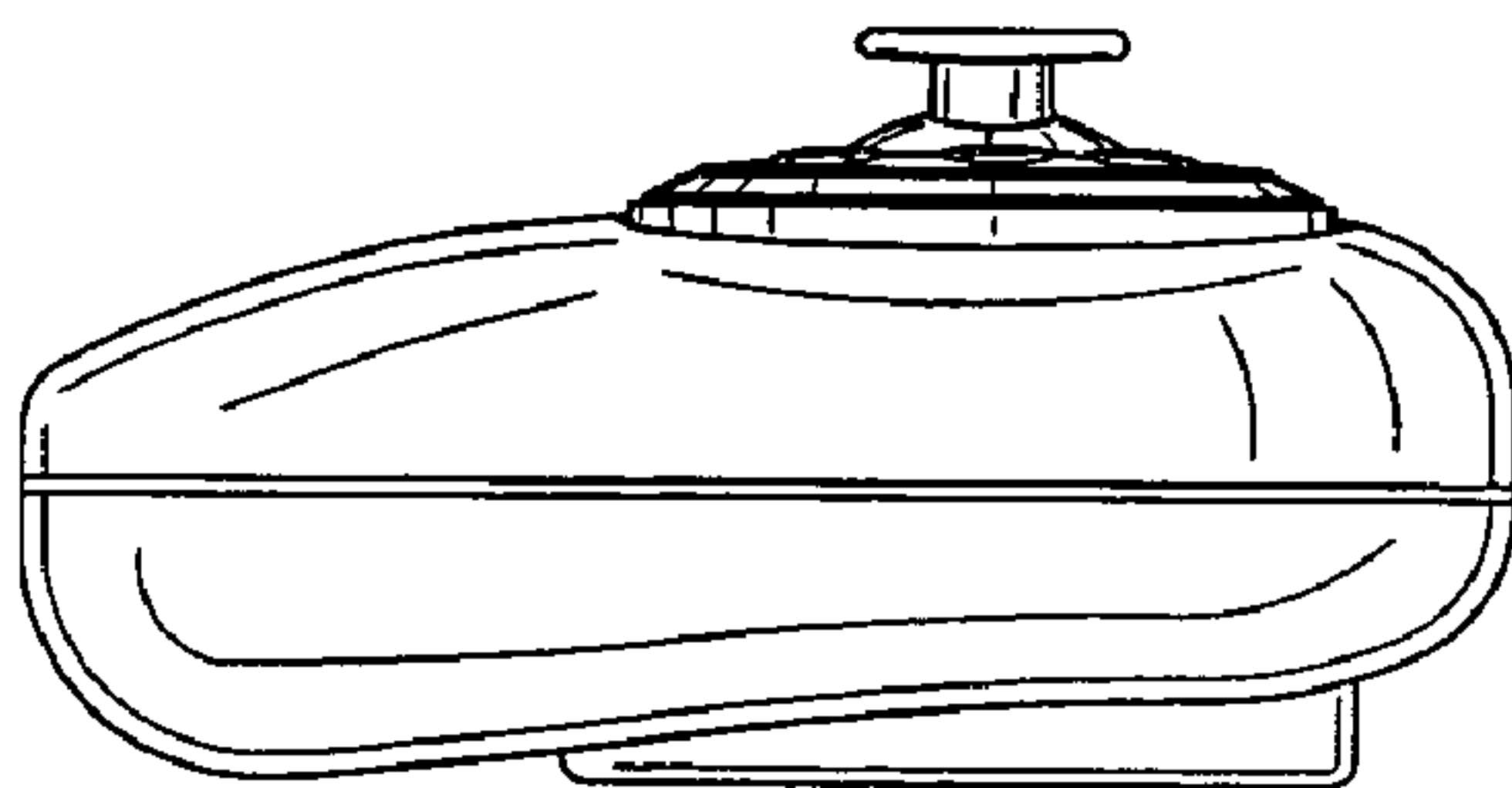


FIG. 9

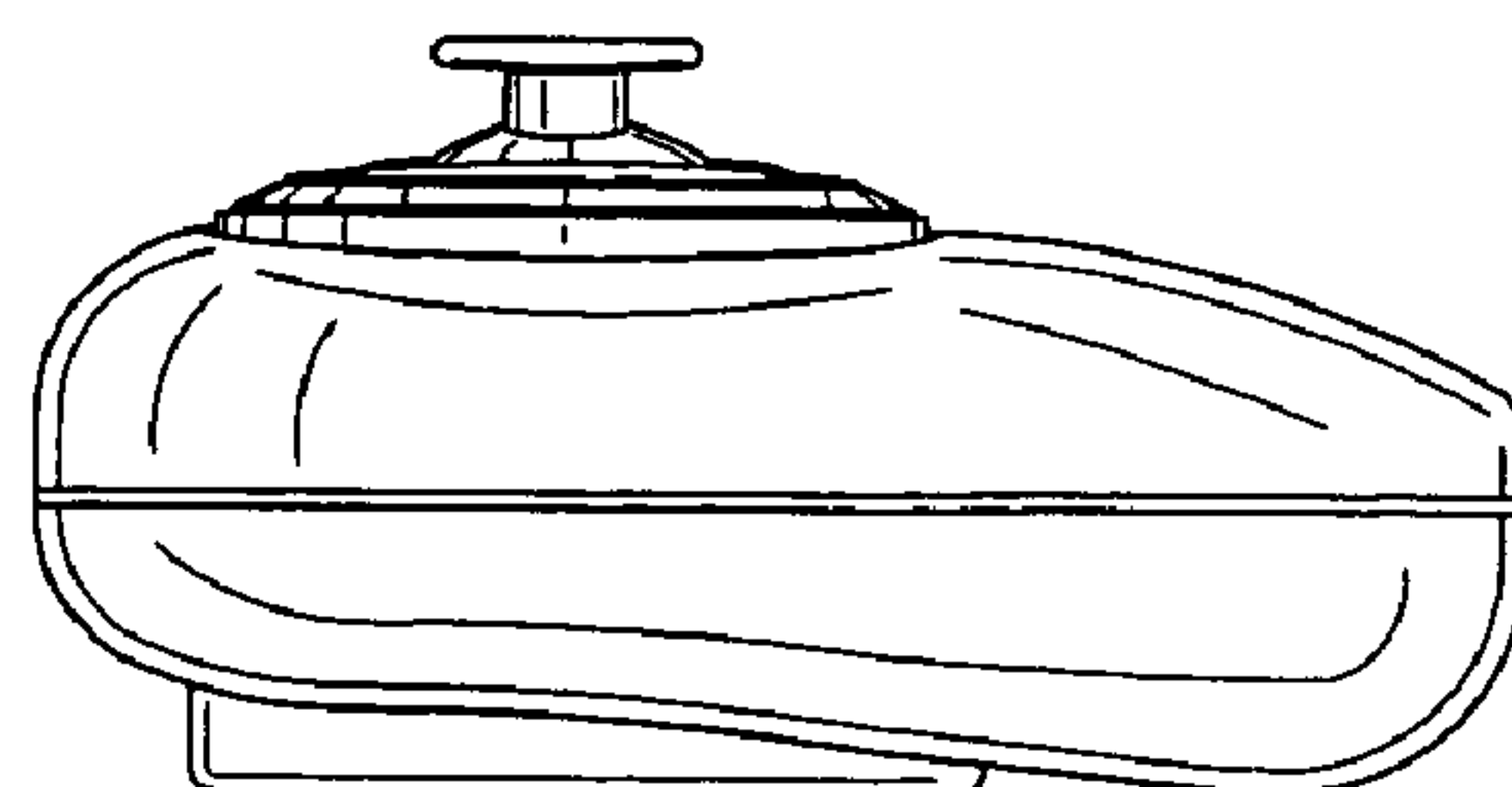


FIG. 10

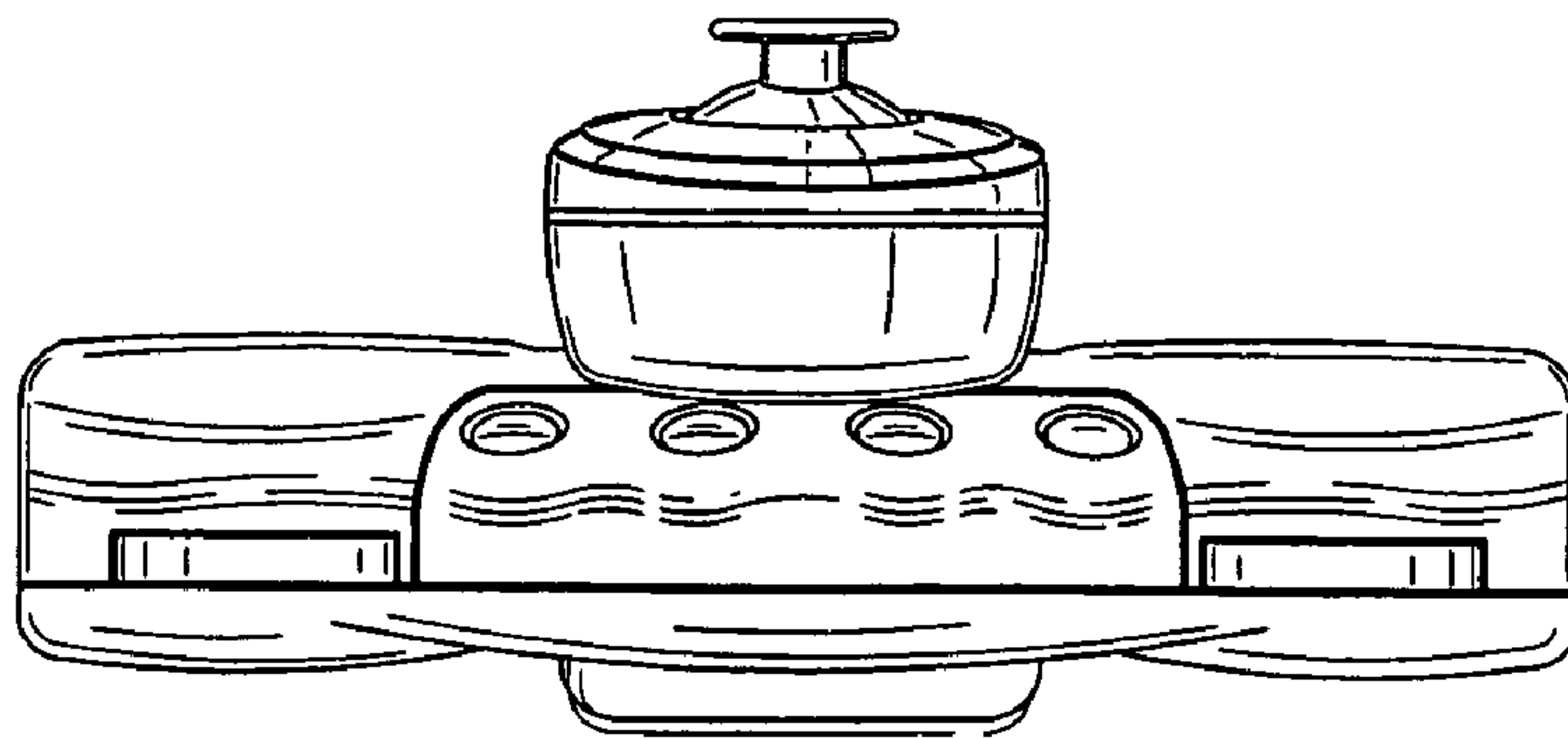


FIG. 11

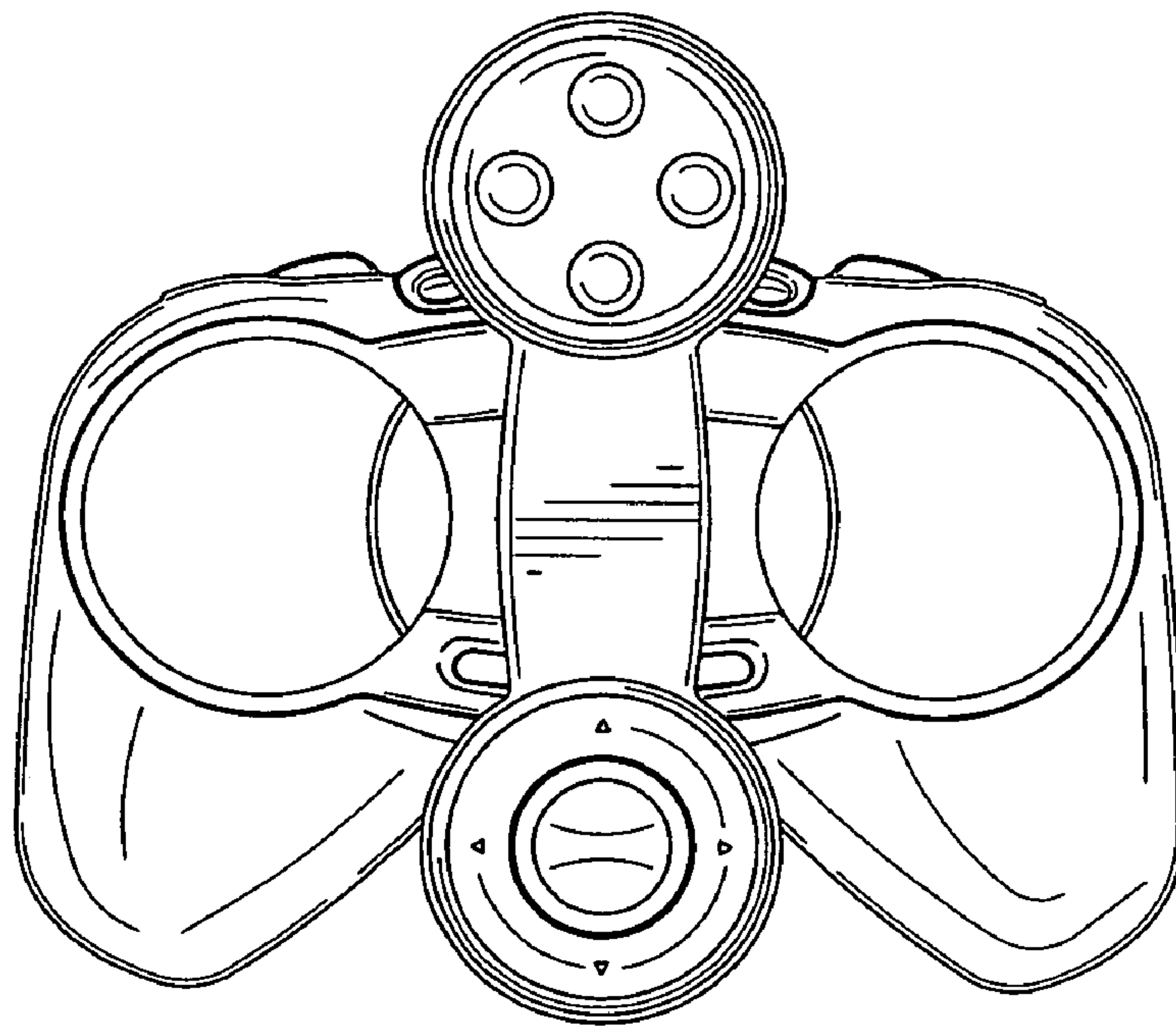


FIG. 12

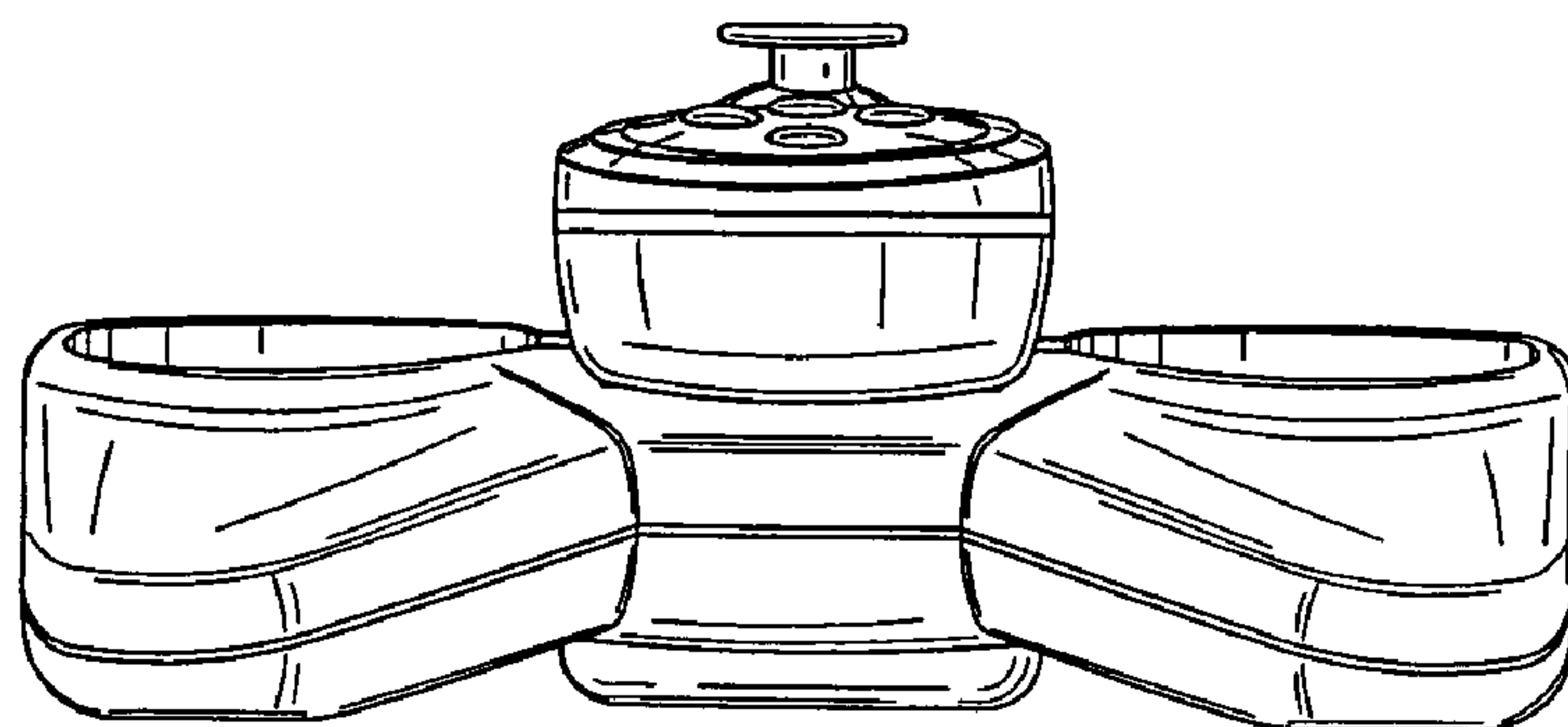


FIG. 13

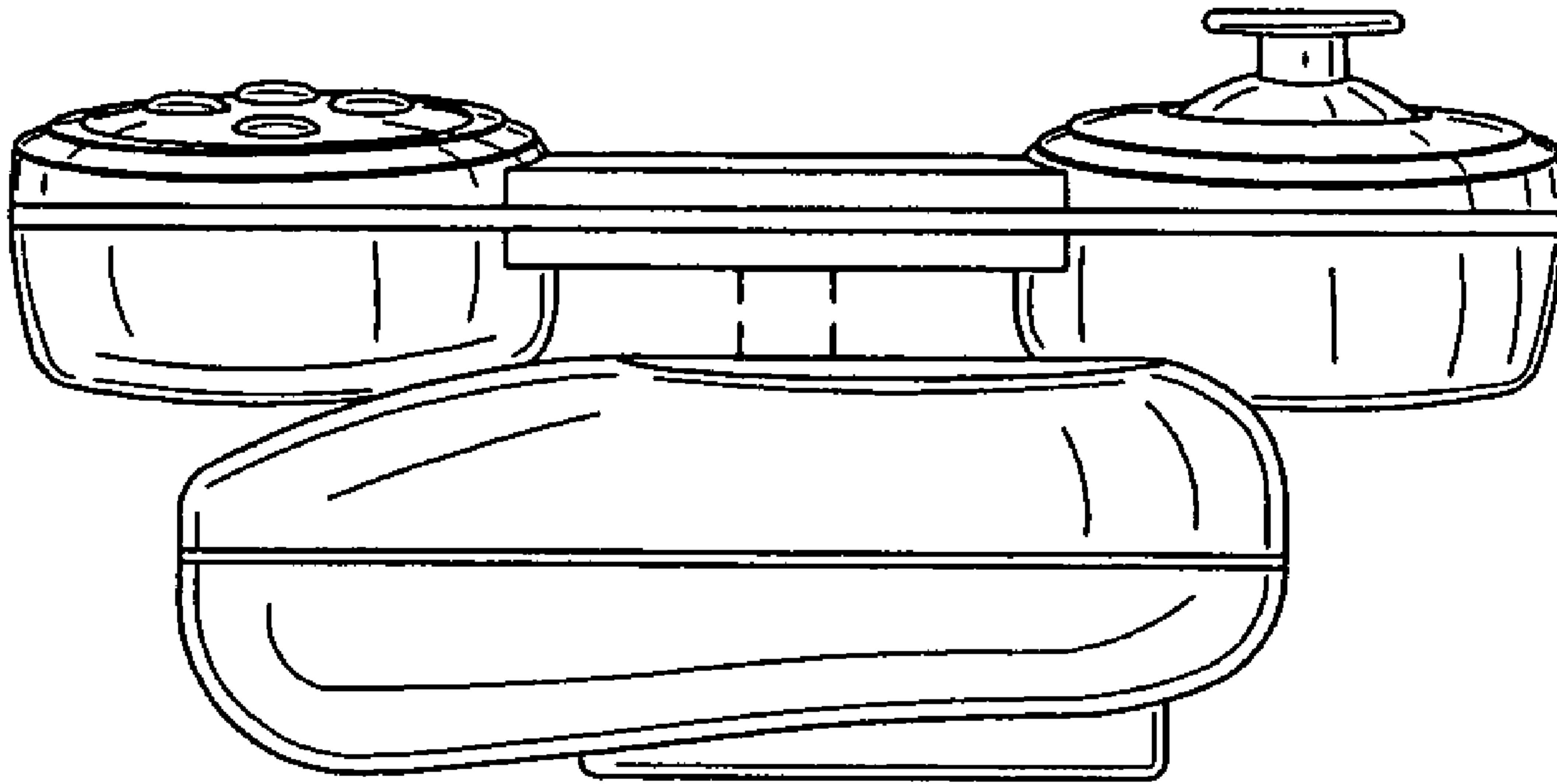


FIG. 14

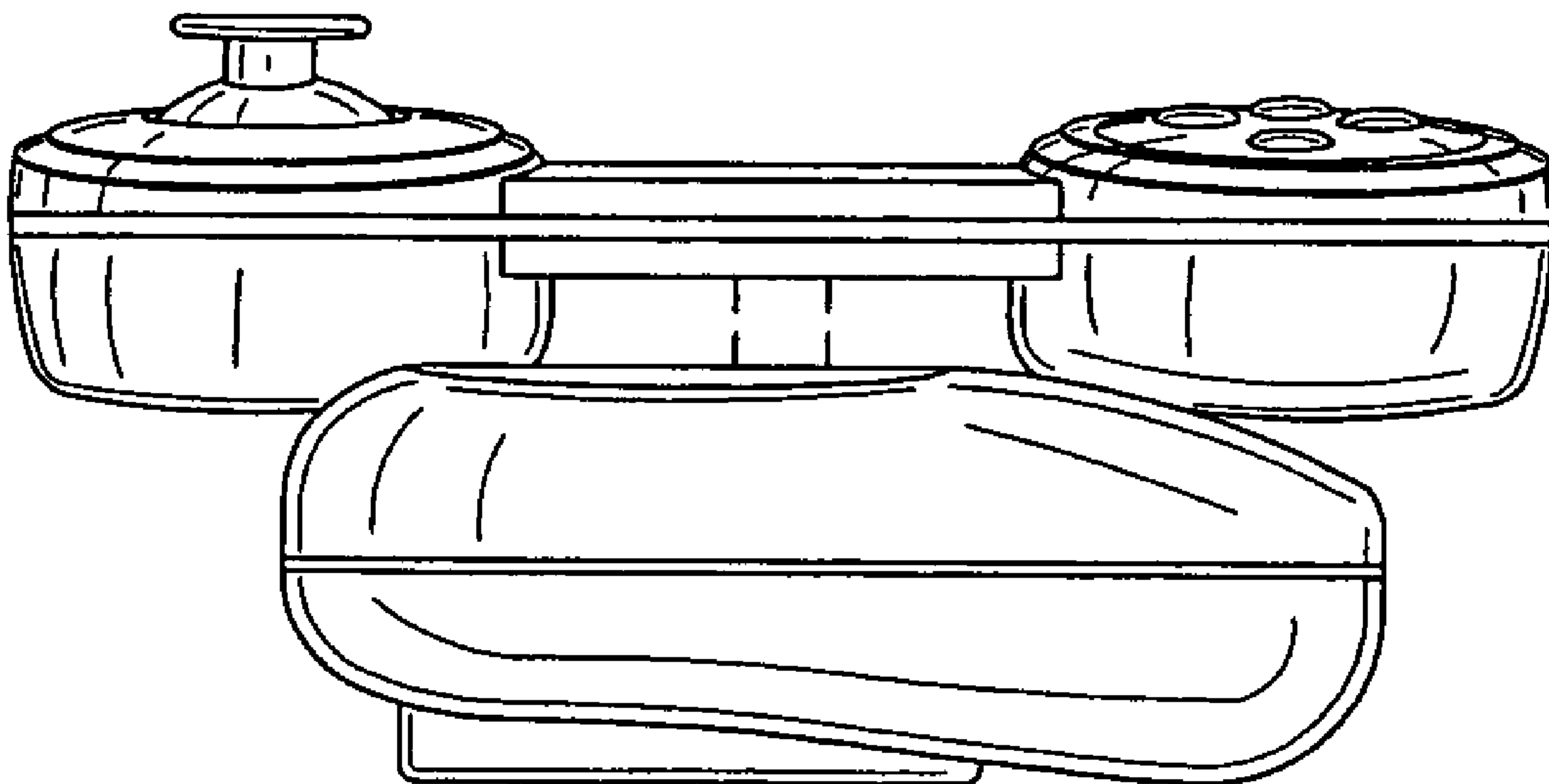


FIG. 15

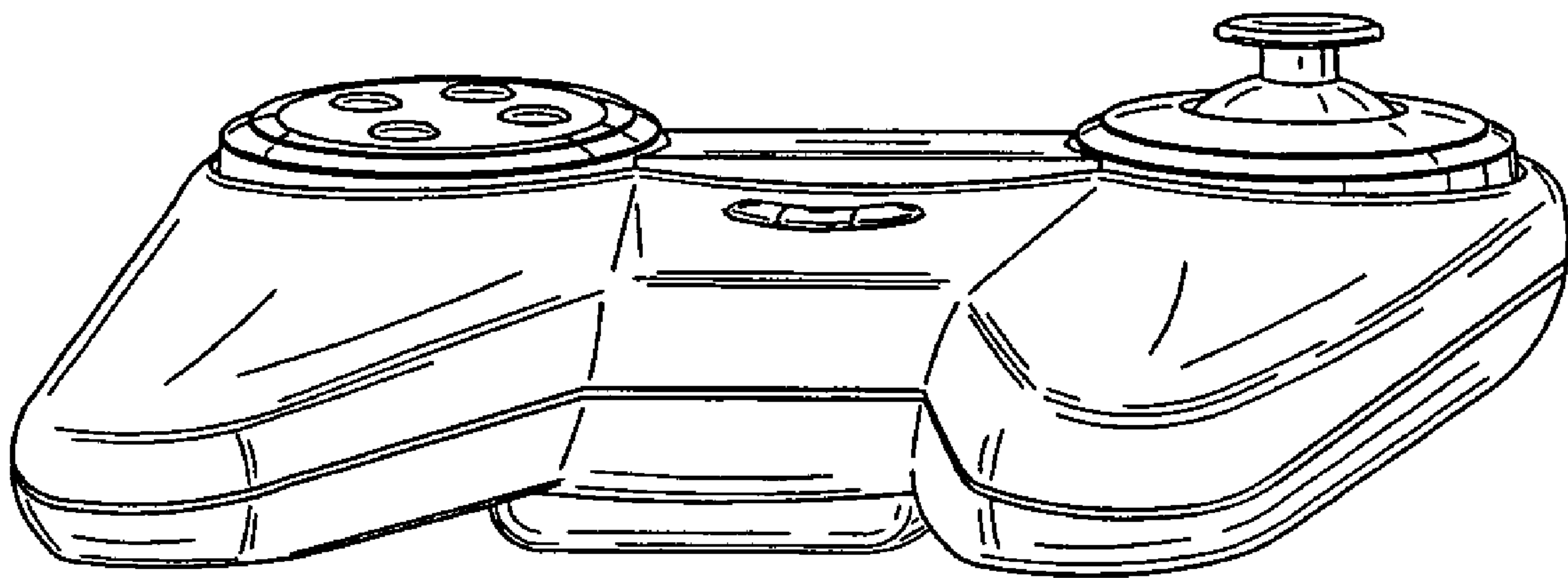


FIG. 16