



US00D553618S

(12) **United States Design Patent**
Cheng

(10) **Patent No.:** **US D553,618 S**

(45) **Date of Patent:** **** Oct. 23, 2007**

(54) **COMBINED STORAGE DEVICE AND CAMERA**

D512,404 S * 12/2005 Yang D14/156
2005/0173276 A1* 8/2005 Hsu 206/320

(75) Inventor: **Yu-Mei Cheng**, Taipei (TW)

(73) Assignee: **Inventec Multimedia & Telecom Corporation**, Taipei (TW)

(**) Term: **14 Years**

(21) Appl. No.: **29/251,173**

(22) Filed: **Jan. 5, 2006**

(51) **LOC (8) Cl.** **14-02**

(52) **U.S. Cl.** **D14/356; D16/208**

(58) **Field of Classification Search** D14/137,
D14/156, 167, 240, 242, 299, 348, 356, 384-5,
D14/402, 432-435, 496; 439/518, 139, 141,
439/144, 140, 638; 710/74, 62; 365/131;
D16/200, 208, 211

See application file for complete search history.

(56) **References Cited**

U.S. PATENT DOCUMENTS

6,393,431	B1 *	5/2002	Salvati et al.	707/104.1
D470,878	S *	2/2003	Laituri et al.	D16/211
D473,204	S *	4/2003	Tanio	D14/167
D473,205	S *	4/2003	Tajima	D14/167
D473,207	S *	4/2003	Tanio	D14/168
6,612,853	B2 *	9/2003	Wu	439/136
D486,469	S *	2/2004	Morita	D14/168
D486,807	S *	2/2004	Takayama et al.	D14/137
6,743,030	B2 *	6/2004	Lin et al.	439/131
6,758,688	B2 *	7/2004	Chen	439/135
6,860,609	B2 *	3/2005	Olson et al.	353/122

OTHER PUBLICATIONS

D14 PDF Search: biometric 1.pdf—http://img.alibab.com/photo/11361682/BUFD_C1_Chip_Sensor_Type_Biometric_USB_Flash_Drive.jpg
Nov. 16, 2006.*

* cited by examiner

Primary Examiner—Robin Webster

Assistant Examiner—Karen E Kearney

(74) *Attorney, Agent, or Firm*—Rabin & Berdo, P.C.

(57) **CLAIM**

The ornamental design for combined storage device and camera, as shown and described.

DESCRIPTION

FIG. 1 is a front perspective view of a combined storage device and camera showing our new design;

FIG. 2 is a front view thereof;

FIG. 3 is a rear view thereof;

FIG. 4 is a left side view thereof;

FIG. 5 is a right side view thereof;

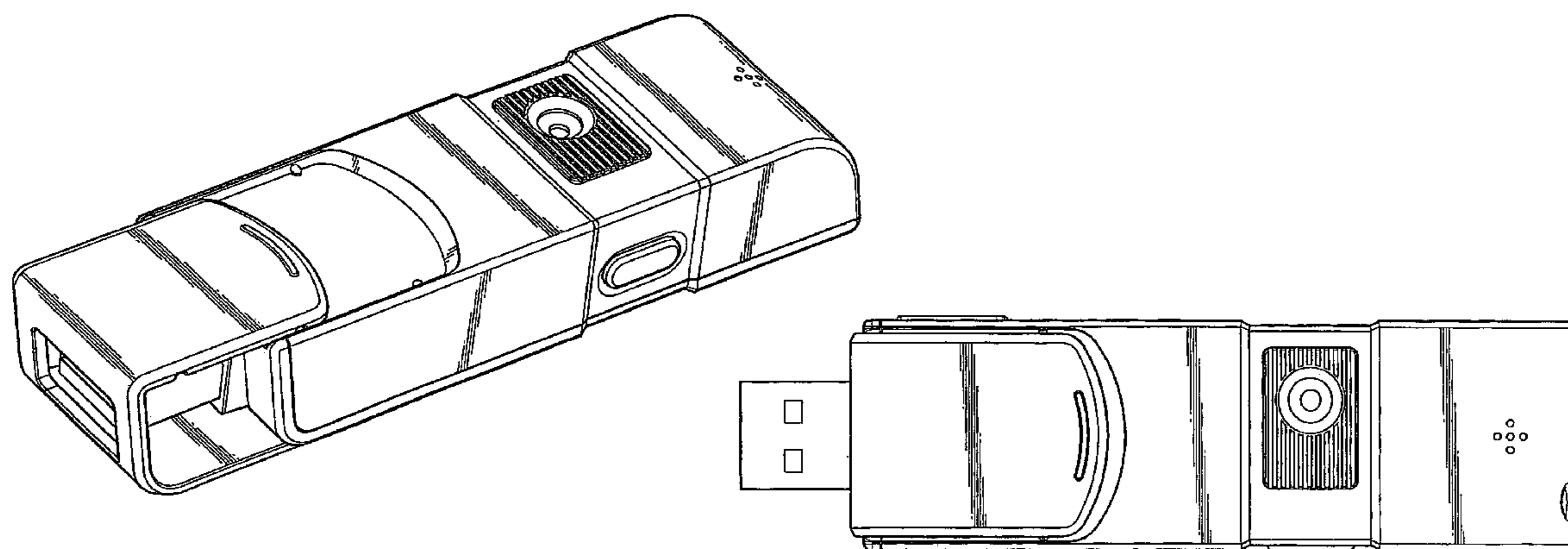
FIG. 6 is a top view thereof;

FIG. 7 is a bottom view thereof;

FIG. 8 is a rear perspective view thereof; and,

FIG. 9 is a front view showing our new design in an alternate position.

1 Claim, 6 Drawing Sheets



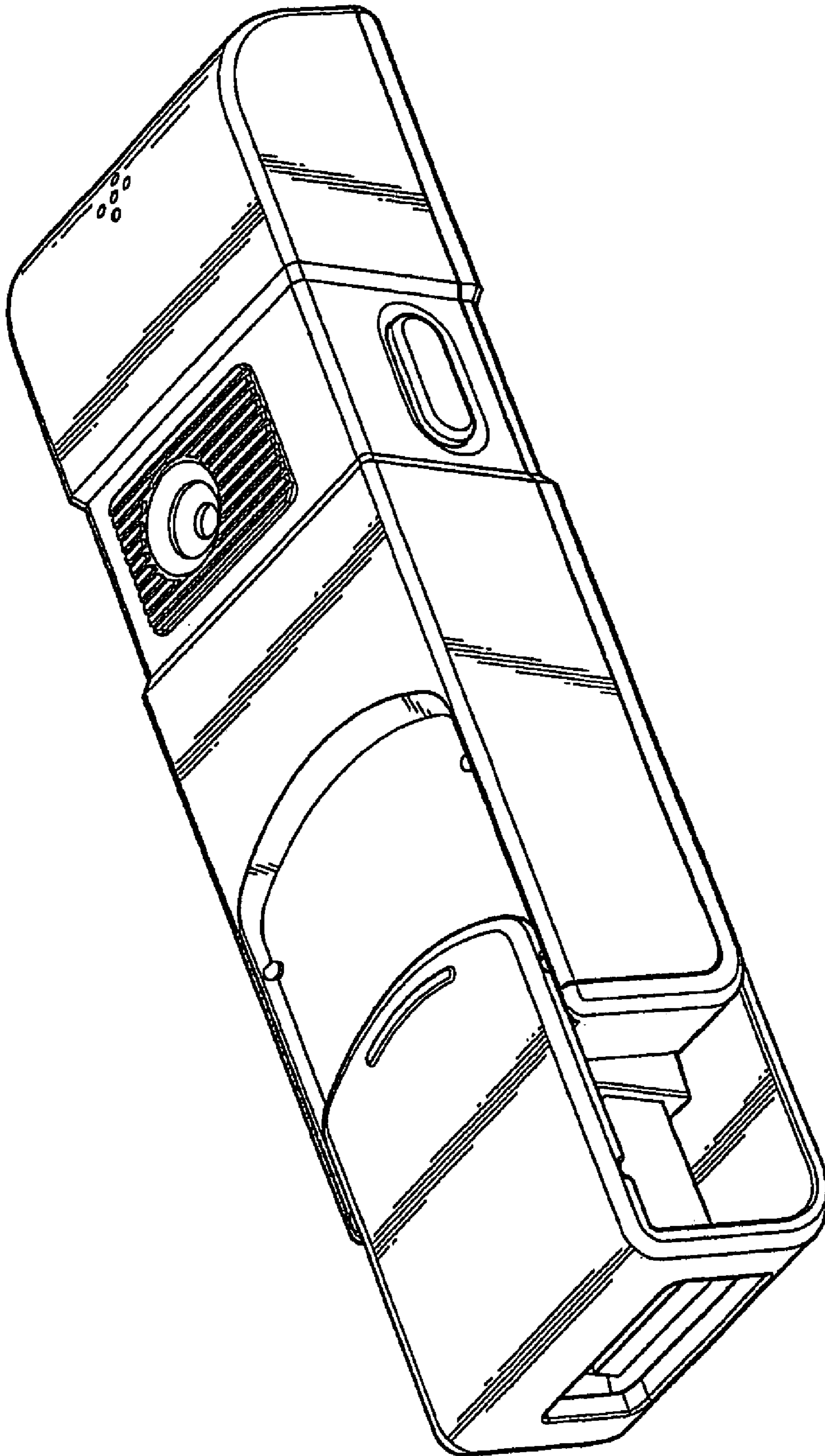


FIG.1

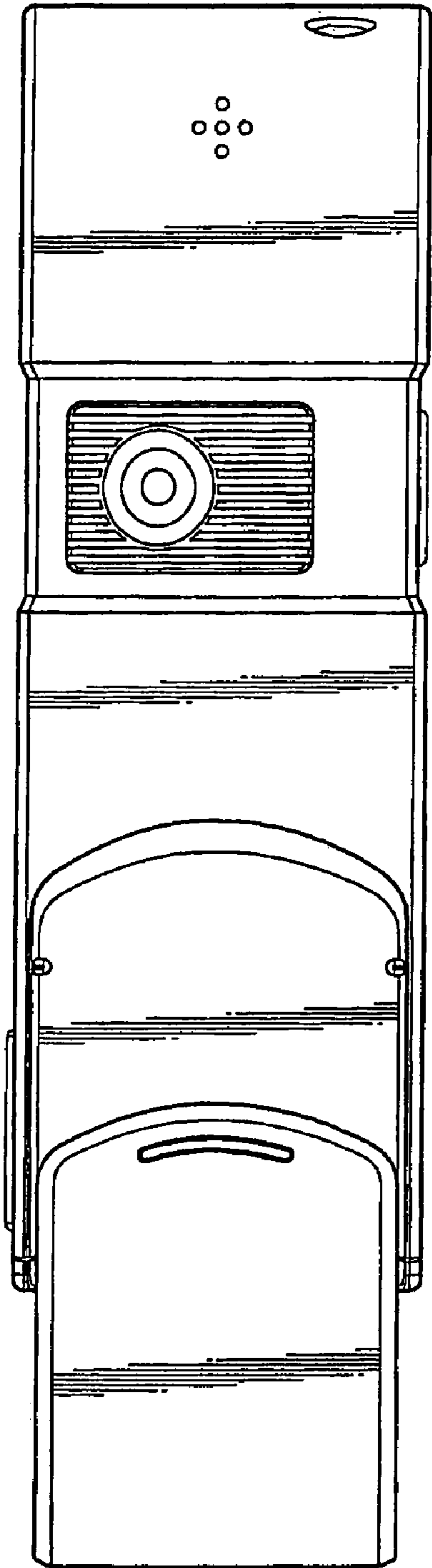


FIG. 2

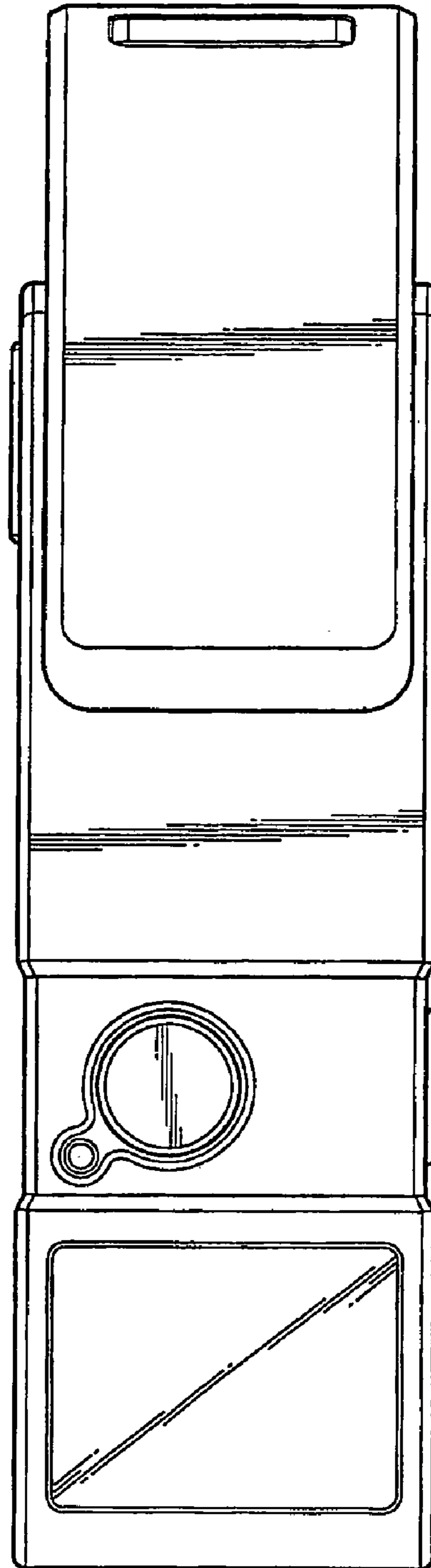


FIG. 3

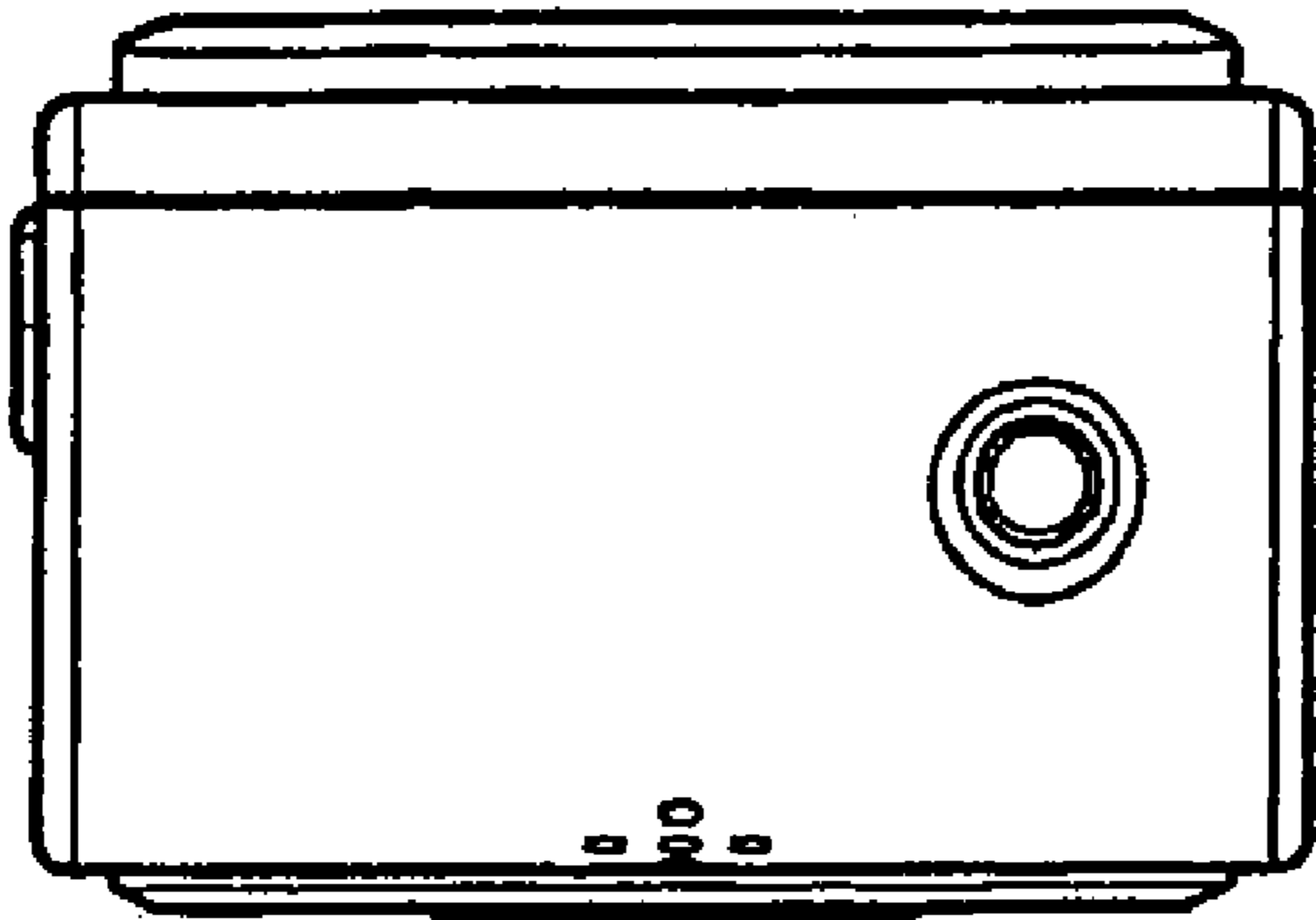


FIG.5

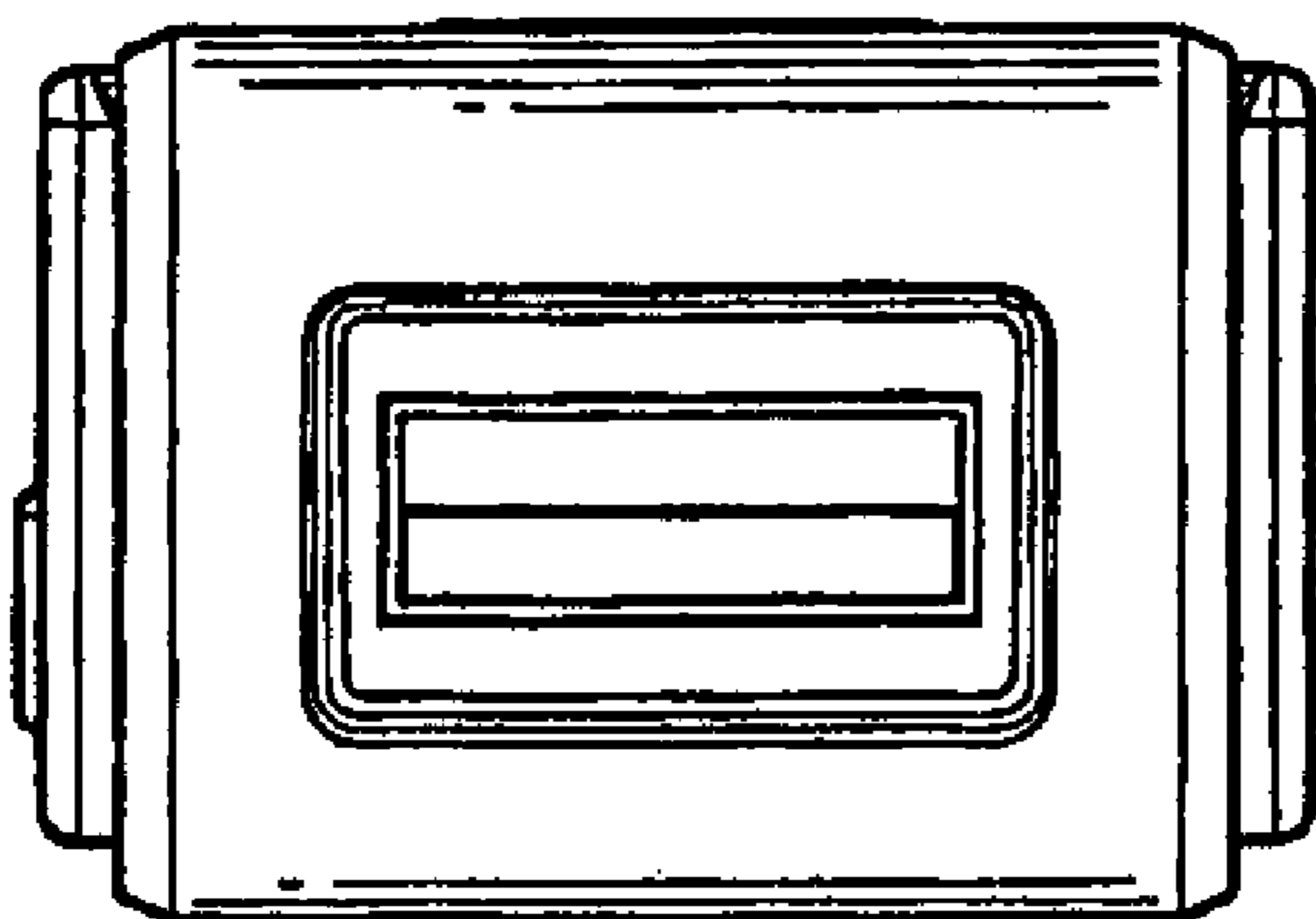


FIG.4

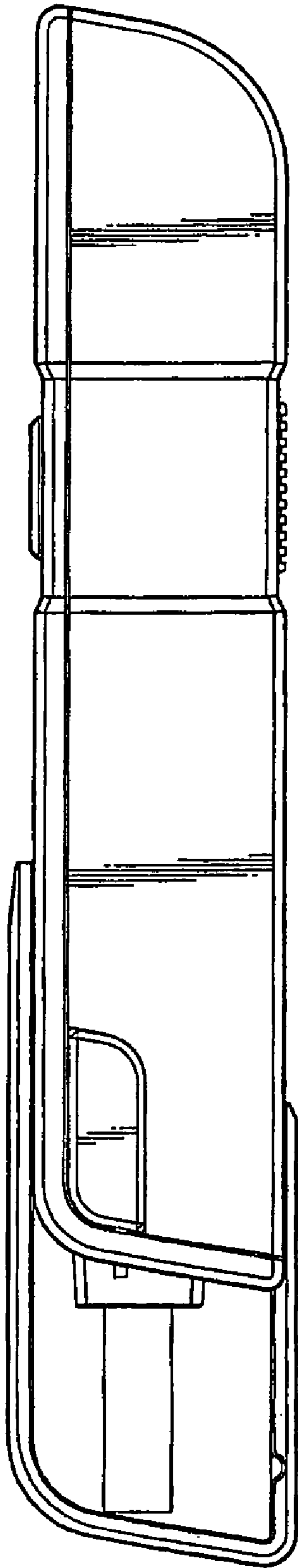


FIG. 6

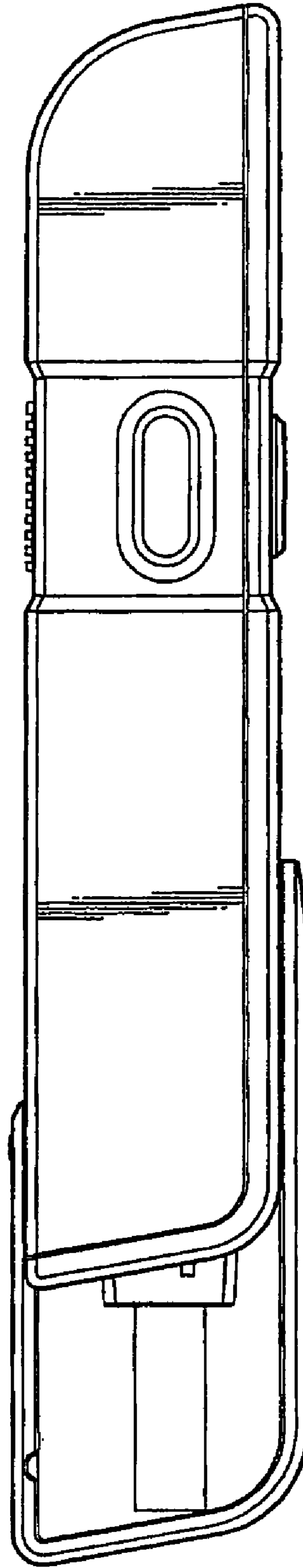


FIG. 7

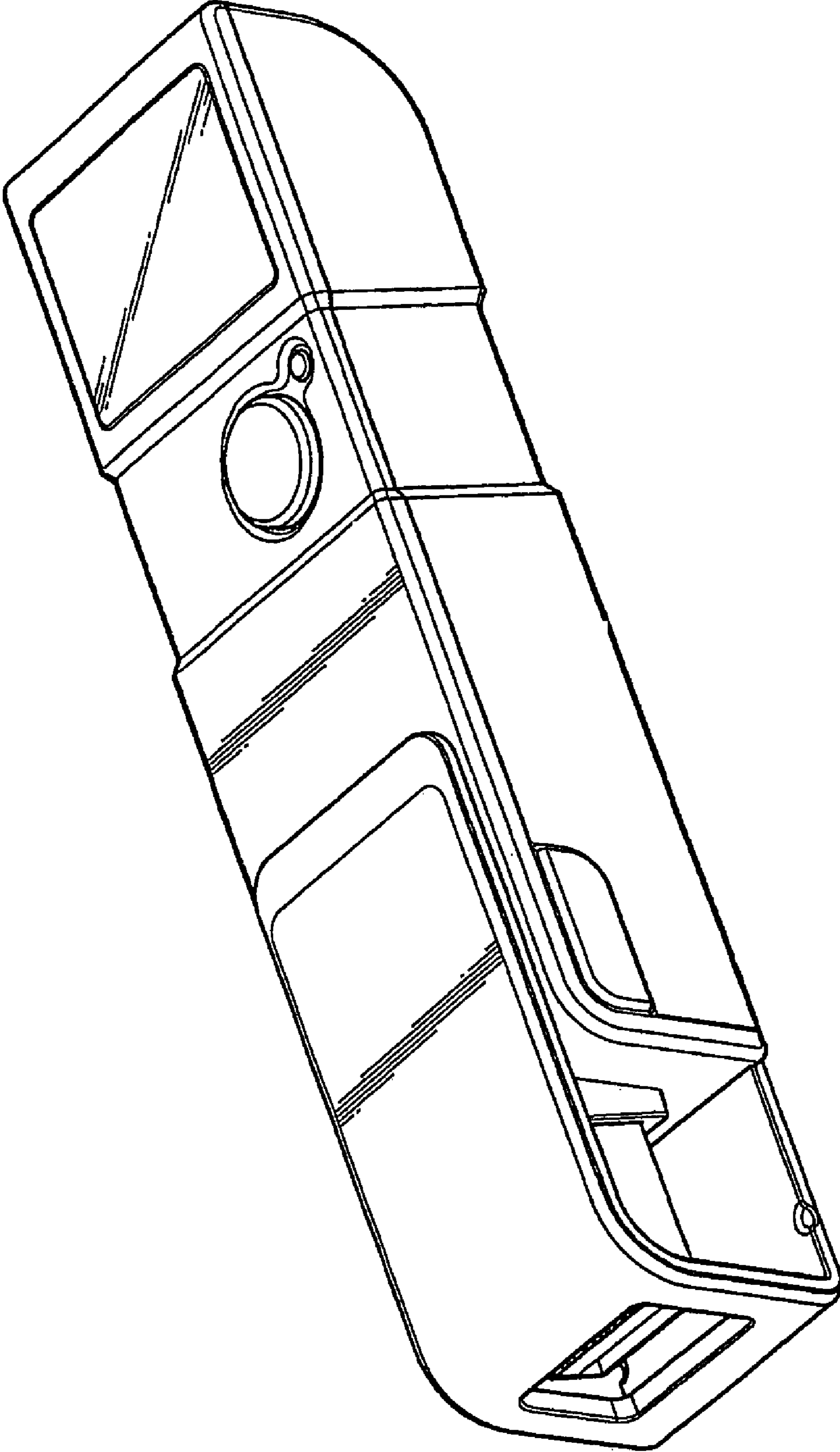


FIG. 8

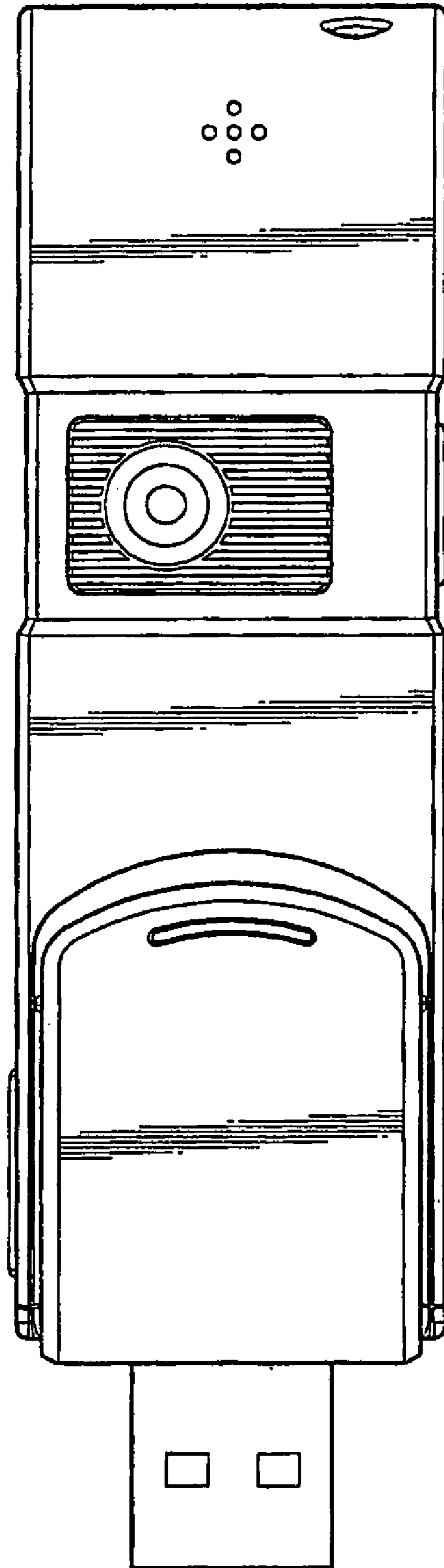


FIG. 9