



US00D553616S

(12) **United States Design Patent**
Tosh et al.

(10) **Patent No.:** **US D553,616 S**

(45) **Date of Patent:** **** Oct. 23, 2007**

(54) **THIN RACK SERVER**

(75) Inventors: **Andrew Tosh**, Maynard, MA (US);
June Lee, San Francisco, CA (US);
Christopher H. Frank, San Jose, CA (US)

(73) Assignee: **Sun Microsystems, Inc.**, Santa Clara, CA (US)

(**) Term: **14 Years**

(21) Appl. No.: **29/257,661**

(22) Filed: **Apr. 7, 2006**

(51) **LOC (8) Cl.** **14-02**

(52) **U.S. Cl.** **D14/301**

(58) **Field of Classification Search** D14/300,
D14/301, 313, 214, 356; D13/162, 184,
D13/199; 312/223.1–223.3; 361/680–686,
361/727; 211/26

See application file for complete search history.

(56) **References Cited**

U.S. PATENT DOCUMENTS

D431,239 S * 9/2000 Sasago D14/214

6,305,556 B1 * 10/2001 Mayer 211/26

D476,986 S * 7/2003 Andre et al. D14/313

6,741,463 B1 * 5/2004 Akhtar et al. 361/686

2003/0002261 A1 * 1/2003 Berry et al. 361/727

2003/0102785 A1 * 6/2003 Tsai et al. 312/223.1

* cited by examiner

Primary Examiner—Freda S Nunn

(74) *Attorney, Agent, or Firm*—Osha Liang LLP

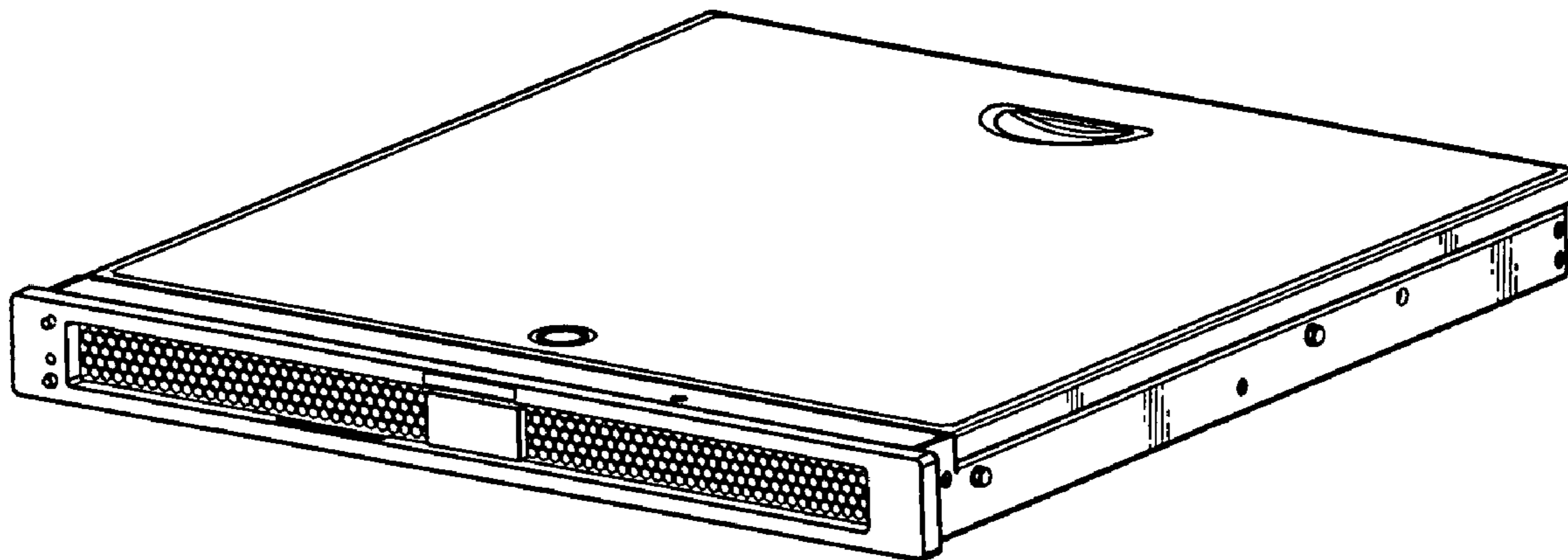
(57) **CLAIM**

The ornamental design for a thin rack server, as shown and described.

DESCRIPTION

FIG. 1 is a front perspective view of the design; and,
FIG. 2 is a rear perspective view of the design.

1 Claim, 1 Drawing Sheet



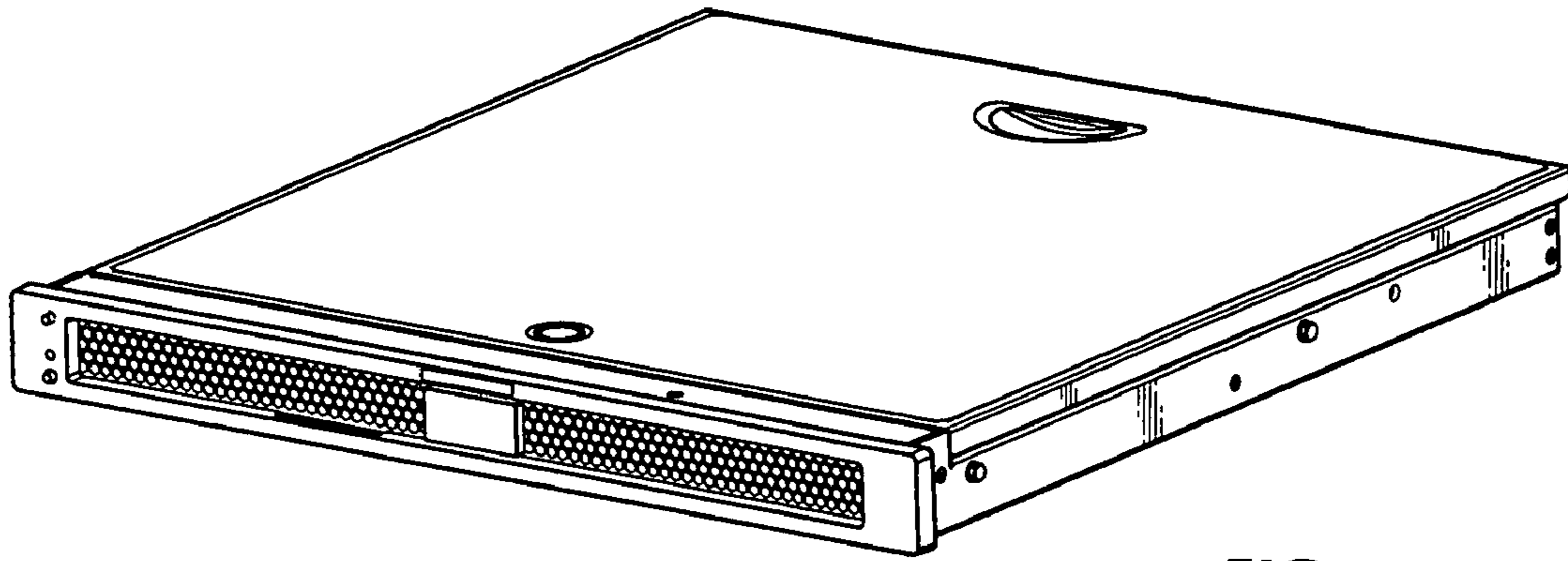


FIG. 1

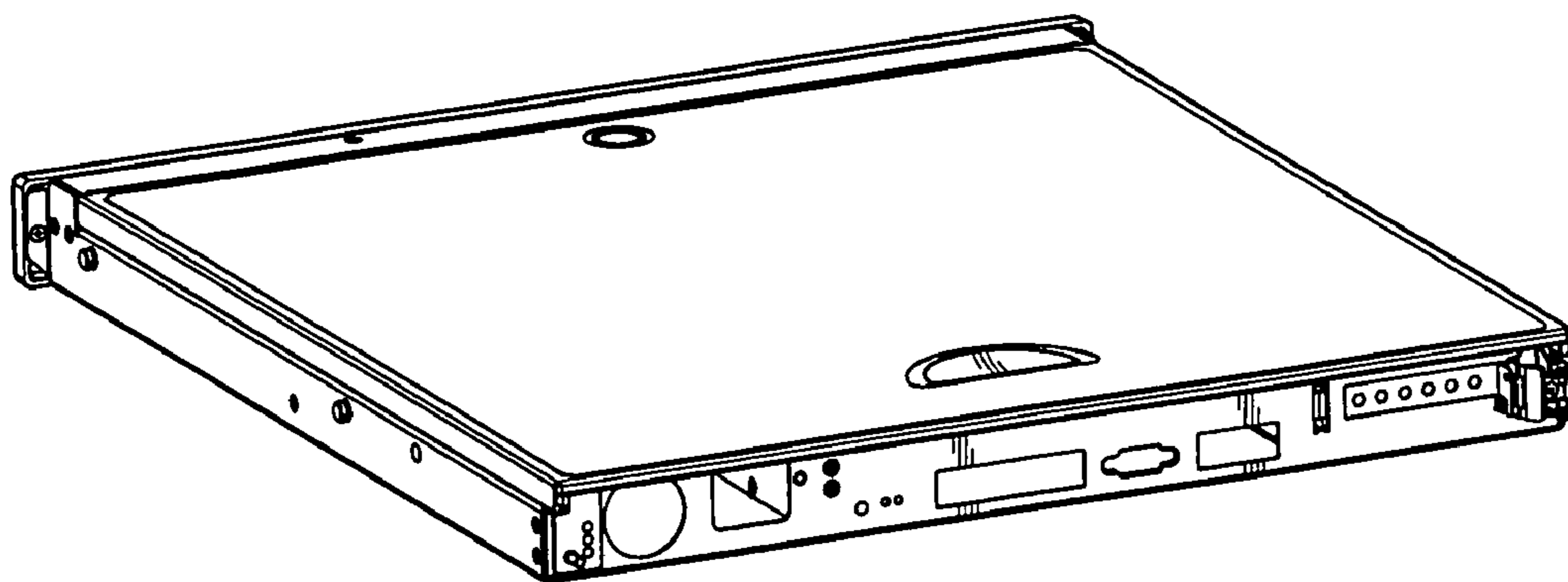


FIG. 2