



US00D553615S

(12) **United States Design Patent**
Courtney

(10) **Patent No.:** **US D553,615 S**

(45) **Date of Patent:** **** Oct. 23, 2007**

(54) **SATELLITE DISH COVER**

(75) Inventor: **Michael J. Courtney**, 3316 Pacific Ave., Marina Del Rey, CA (US) 90292

(73) Assignee: **Michael J. Courtney**, Marina Del Rey, GA (US)

(**) Term: **14 Years**

(21) Appl. No.: **29/218,503**

(22) Filed: **Dec. 2, 2004**

Related U.S. Application Data

(63) Continuation-in-part of application No. 10/982,671, filed on Nov. 4, 2004, now Pat. No. 7,161,553.

(51) **LOC (8) Cl.** **14-03**

(52) **U.S. Cl.** **D14/231**

(58) **Field of Classification Search** D14/230-238, D14/299; 343/700 R, 840, 841, 908; 455/3.02, 455/FOR. 215, 575.2

See application file for complete search history.

(56) **References Cited**

U.S. PATENT DOCUMENTS

D304,454 S *	11/1989	Serres	D14/231
D322,254 S *	12/1991	Su	D14/231
D361,767 S *	8/1995	Tinaphong	D14/230
5,451,972 A	9/1995	Franklin	343/840
5,528,253 A	6/1996	Franklin	343/840
5,729,241 A	3/1998	Ergen et al.	343/872
5,798,735 A	8/1998	Walton, Jr.	343/704

5,815,125 A	9/1998	Kelly et al.	343/872
5,940,047 A	8/1999	Pfnister	343/872
D426,827 S *	6/2000	Tsai Wang	D14/231
D433,014 S *	10/2000	Rogers	D14/231
D452,229 S *	12/2001	Sato	D14/231
6,714,167 B1	3/2004	Gusick, Jr.	343/872

OTHER PUBLICATIONS

ATTISAT FL500, Flat Satellite Antenna, www.attisat.gr/engl_lang_ver/engl_fl500_tecnica.asp.

* cited by examiner

Primary Examiner—Louis S. Zarfes

Assistant Examiner—John Windmuller

(57) **CLAIM**

I claim the ornamental design for a satellite dish cover, as shown and described.

DESCRIPTION

FIG. 1 is a bottom perspective view of a satellite dish cover showing my new design;

FIG. 2 is a top perspective view thereof;

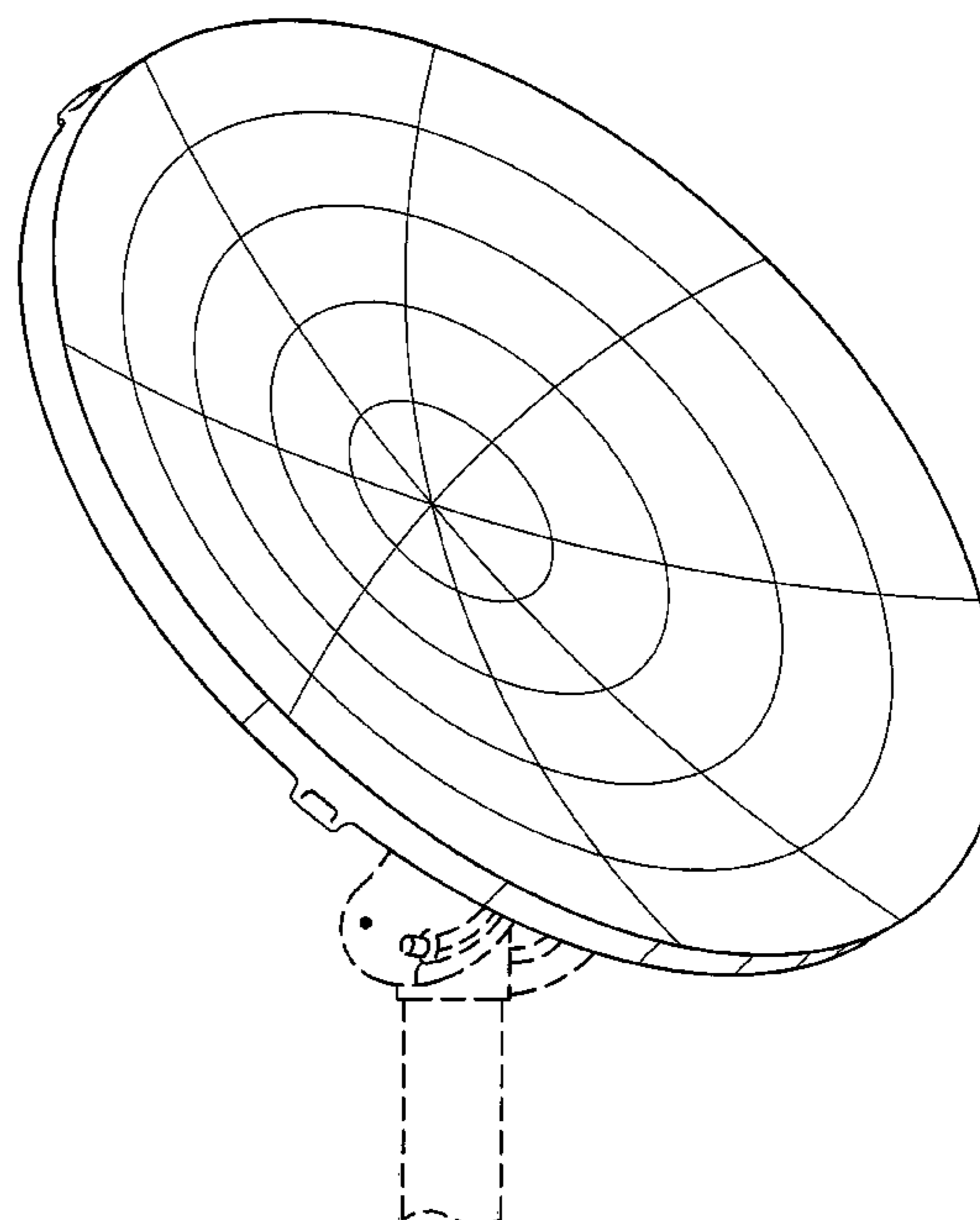
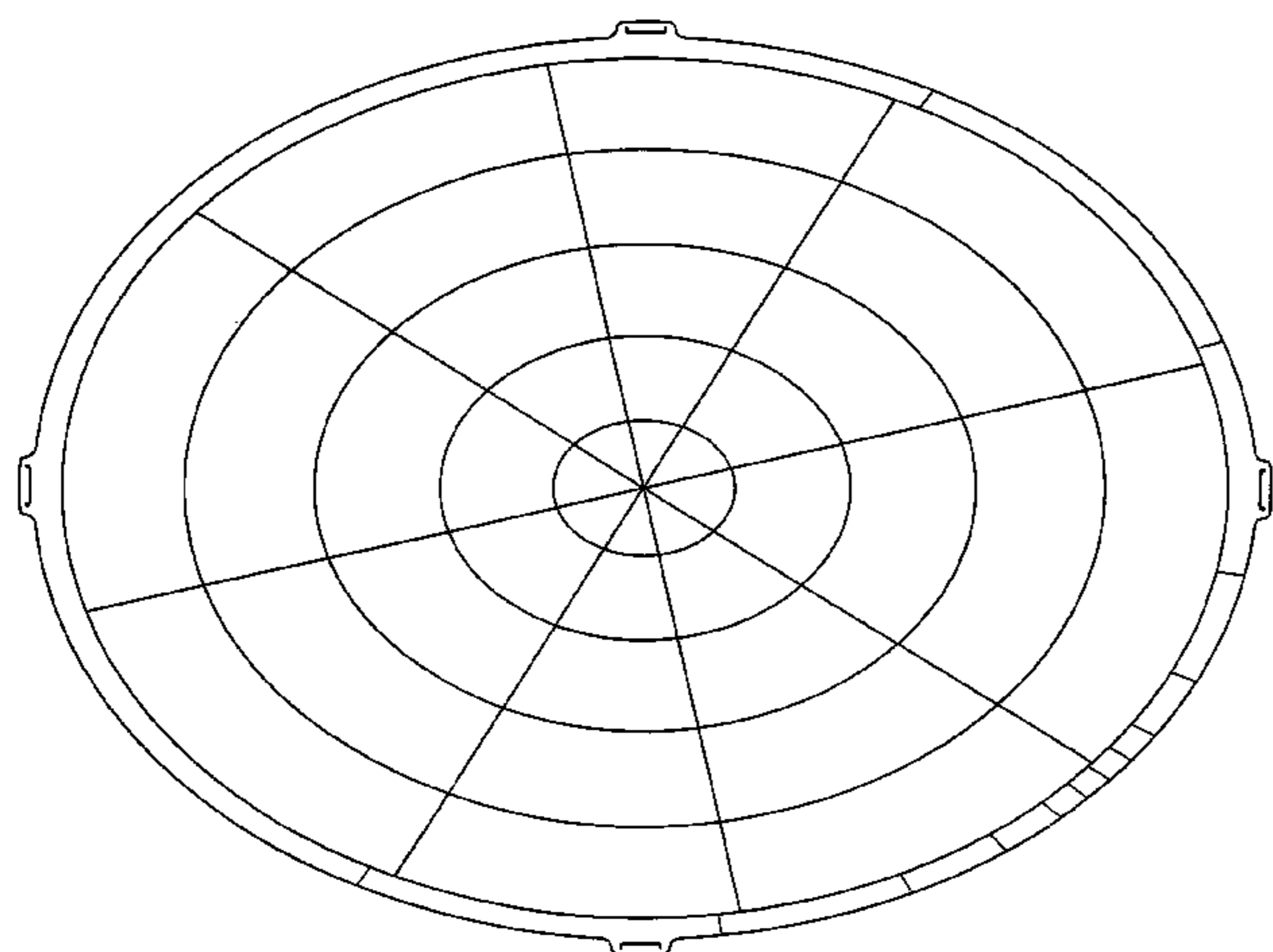
FIG. 3 is a top plan view thereof;

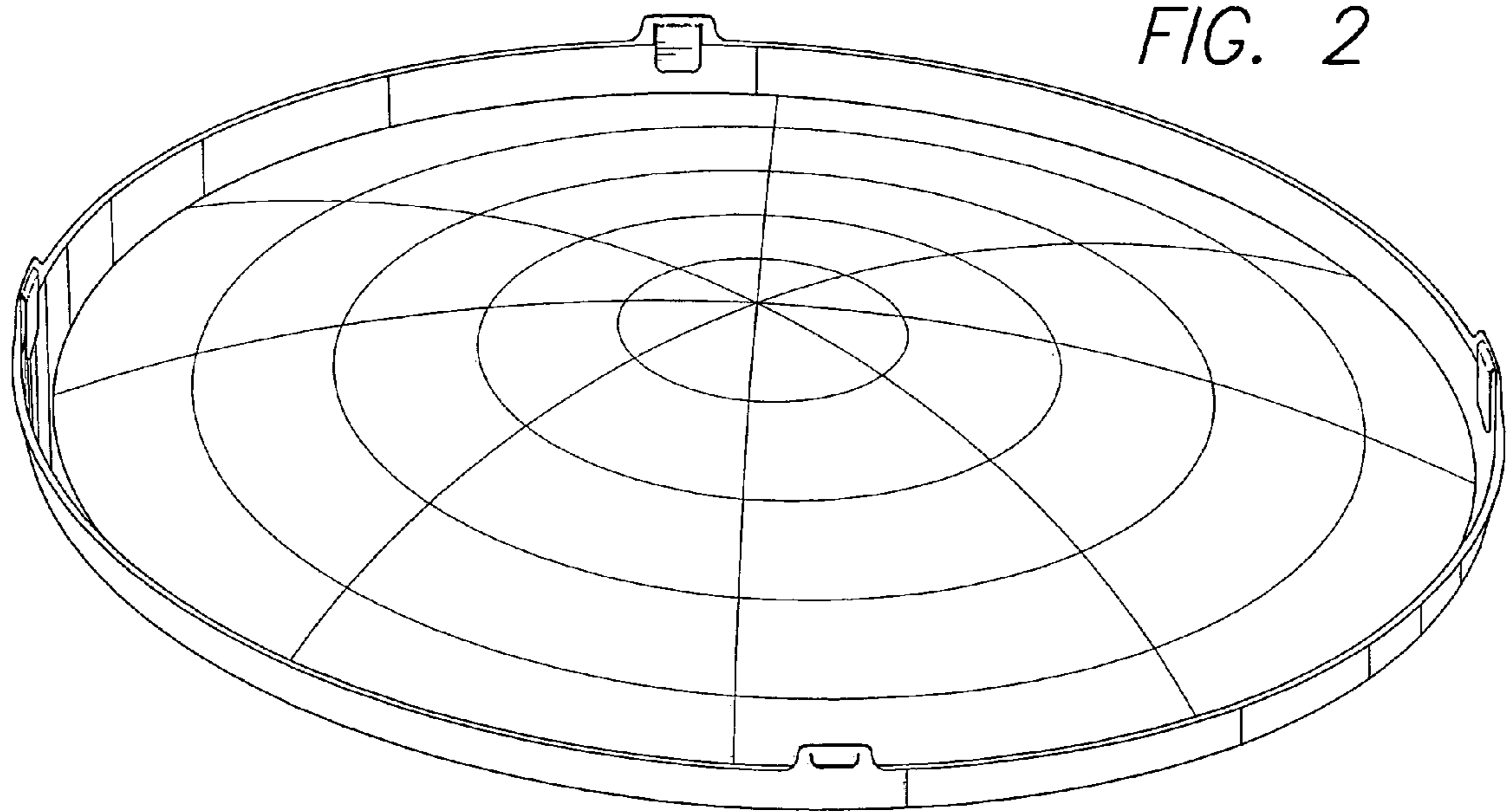
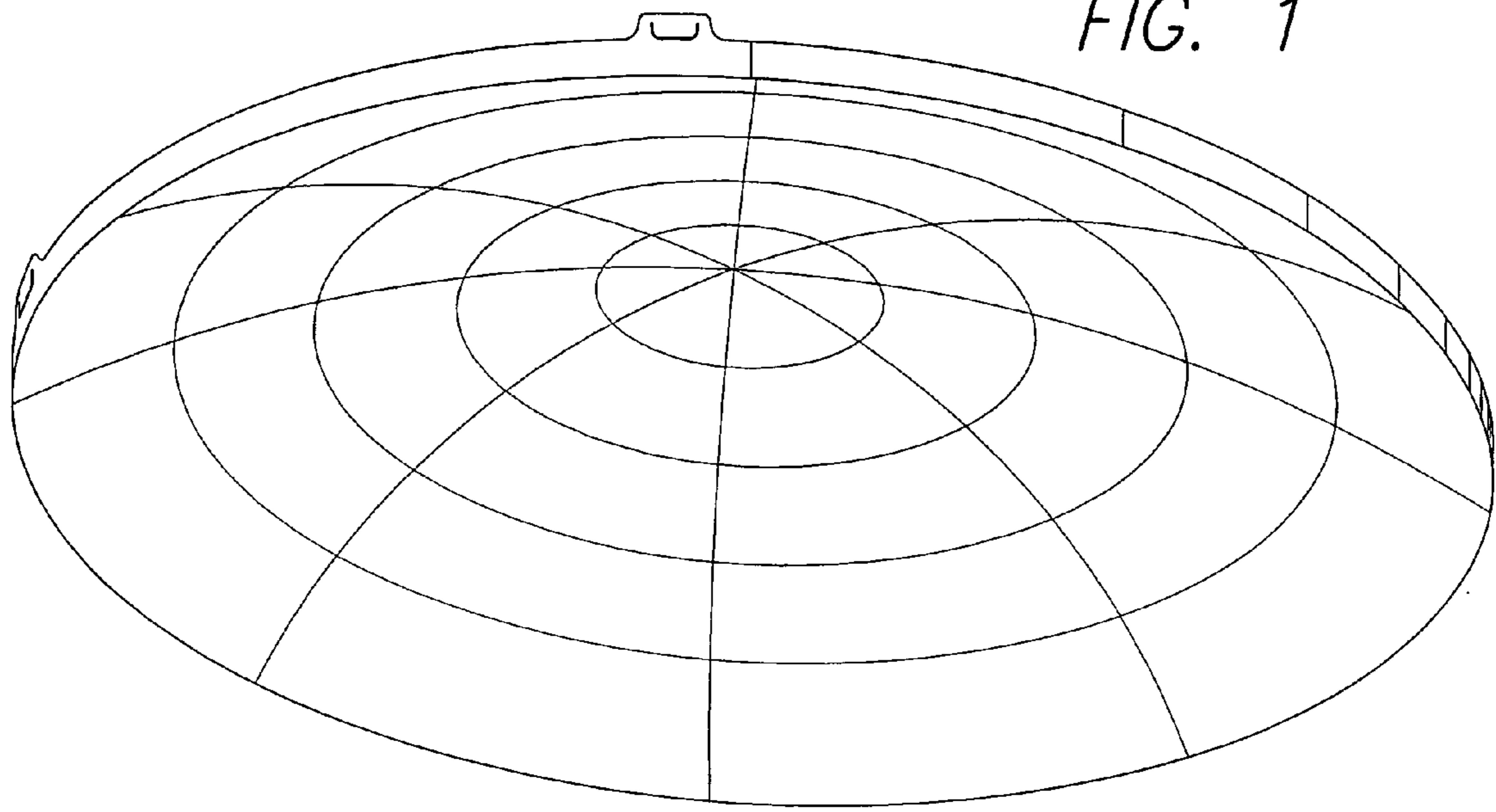
FIG. 4 is a bottom plan view thereof; and,

FIG. 5 is a perspective view of the satellite dish cover.

The broken line showing of a satellite dish mounting structure in FIG. 5 is for illustrative purposes only and forms no part of the claimed design.

1 Claim, 4 Drawing Sheets





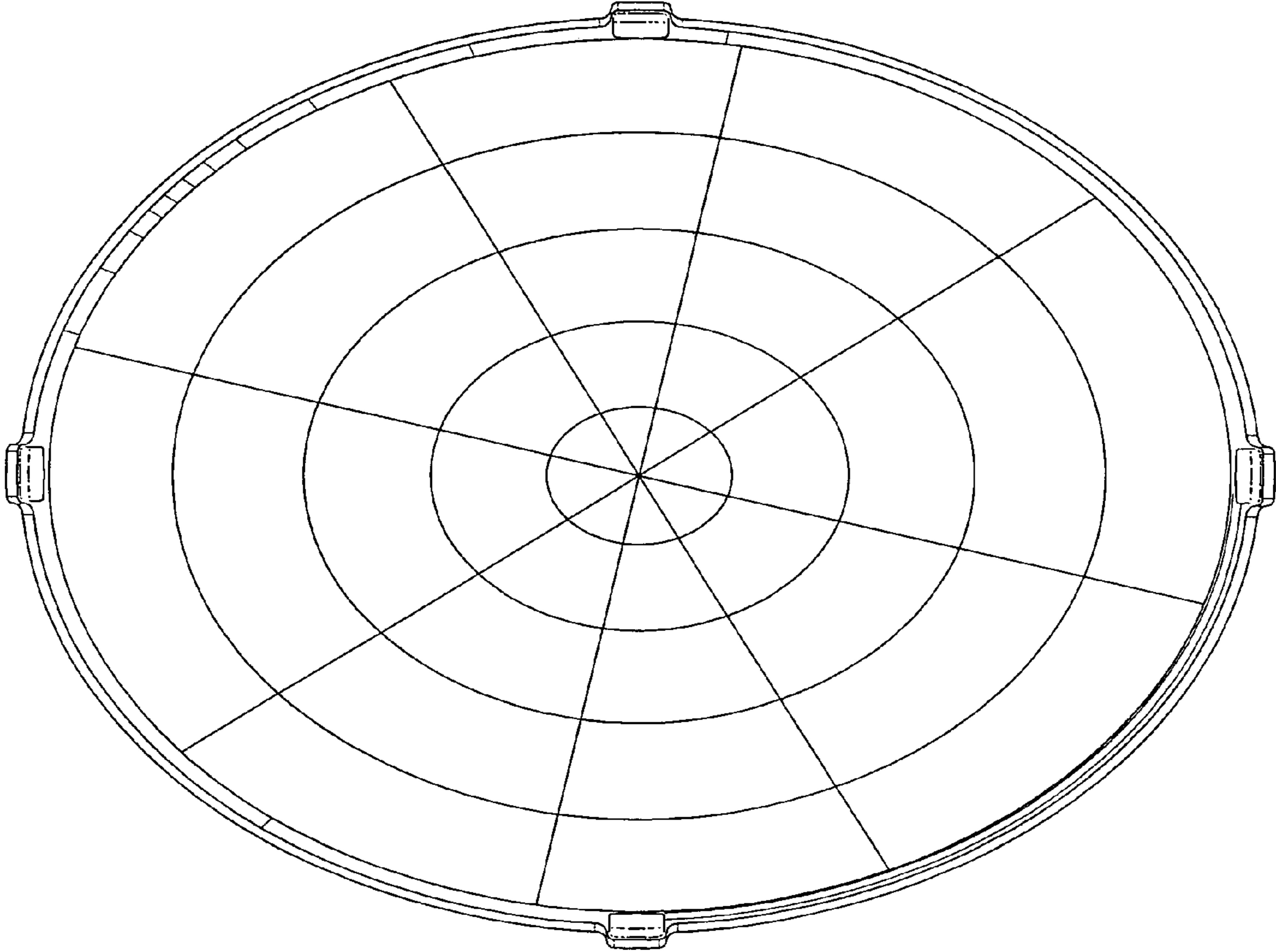


FIG. 3

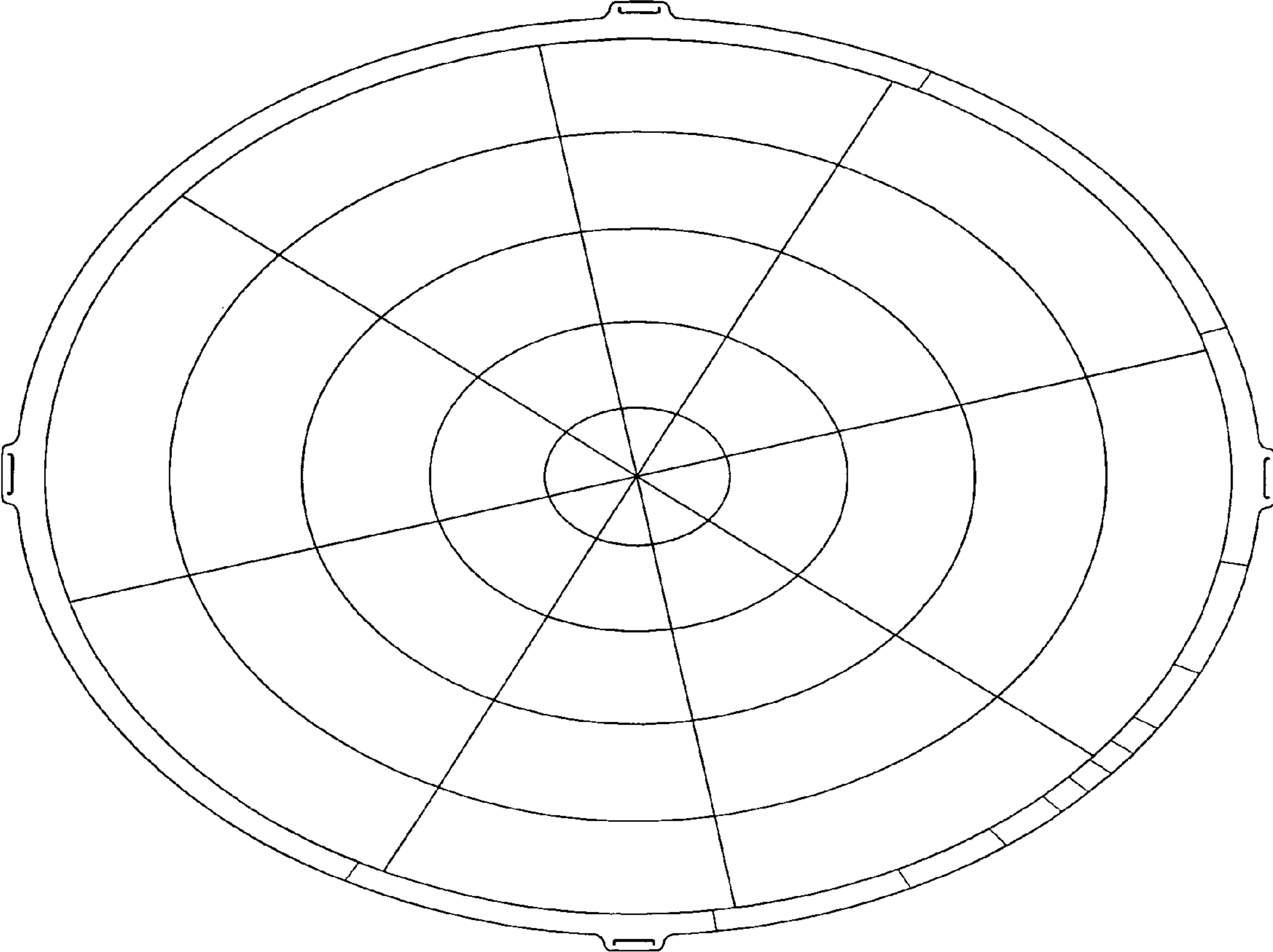


FIG. 4

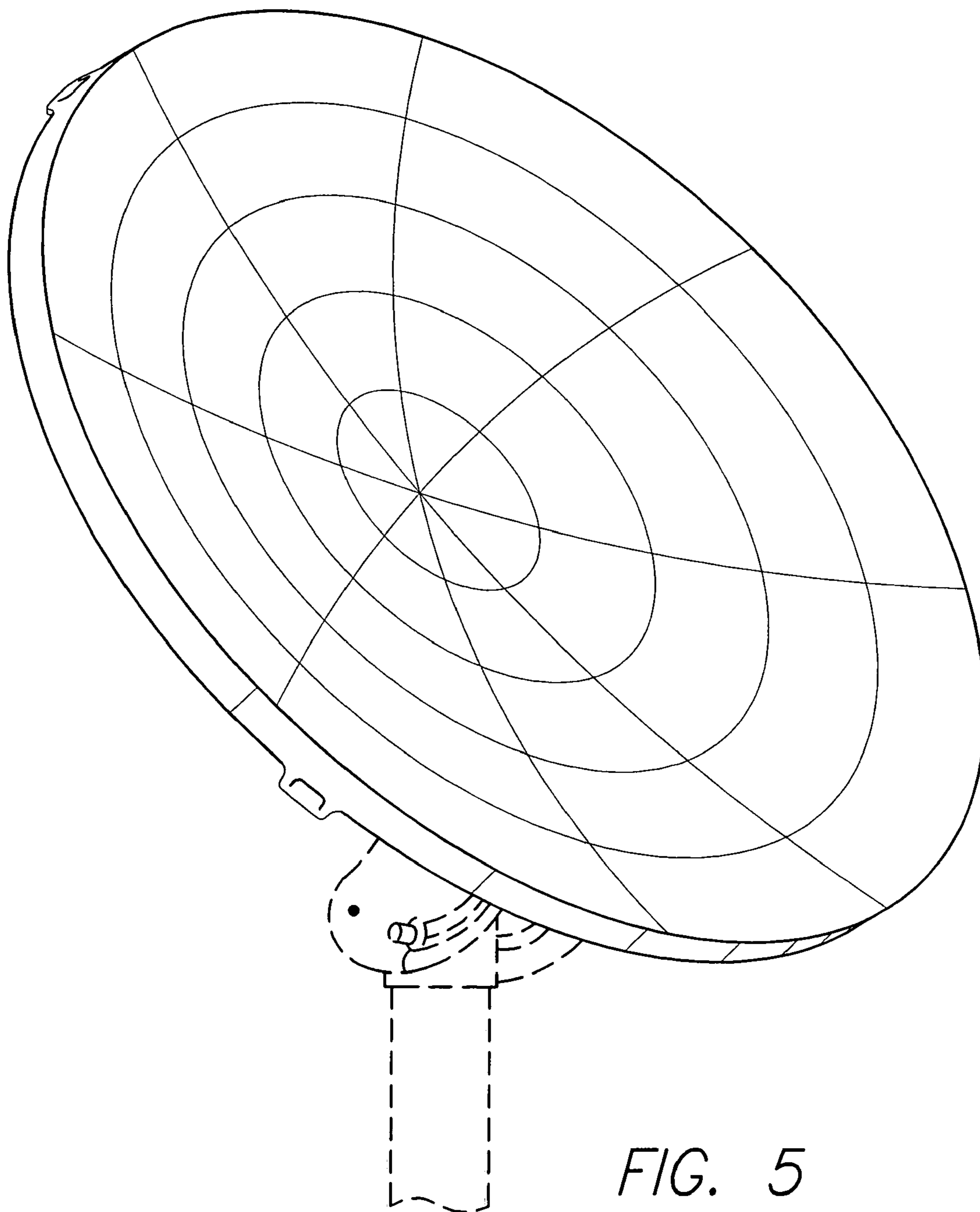


FIG. 5