



US00D553612S

(12) **United States Design Patent**
Chen et al.

(10) **Patent No.:** **US D553,612 S**

(45) **Date of Patent:** **** Oct. 23, 2007**

(54) **SPEAKER**

(75) Inventors: **Sue-Fen Chen**, No. 17, Alley 18, Lane 21, Huaping Rd., Tainan City (TW) 708; **Thaddeus T. Brej**, Rocyk River, OH (US)

(73) Assignee: **Sue-Fen Chen**, Tainan (TW)

(**) Term: **14 Years**

(21) Appl. No.: **29/264,616**

(22) Filed: **Aug. 15, 2006**

(51) **LOC (8) Cl.** **14-01**

(52) **U.S. Cl.** **D14/216**

(58) **Field of Classification Search** D14/204, D14/209-216; 181/143-144, 147-148, 150, 181/157, 198-199, 151, 153; 381/300-302, 381/306, 333, 345, 361-364, 386-388, 332, 381/336

See application file for complete search history.

(56) **References Cited**

U.S. PATENT DOCUMENTS

D393,642 S * 4/1998 Yuyama D14/216

D436,943 S * 1/2001 Hayashi et al. D14/168
D497,903 S * 11/2004 Chin et al. D14/216
D513,747 S * 1/2006 Chin et al. D14/216

* cited by examiner

Primary Examiner—Nanda Bondade

(74) *Attorney, Agent, or Firm*—Bacon & Thomas, PLLC

(57) **CLAIM**

The ornamental design for a speaker, as shown.

DESCRIPTION

FIG. 1 is a perspective view of a speaker of the present design;

FIG. 2 is a right side elevational view thereof;

FIG. 3 is a top plan view thereof;

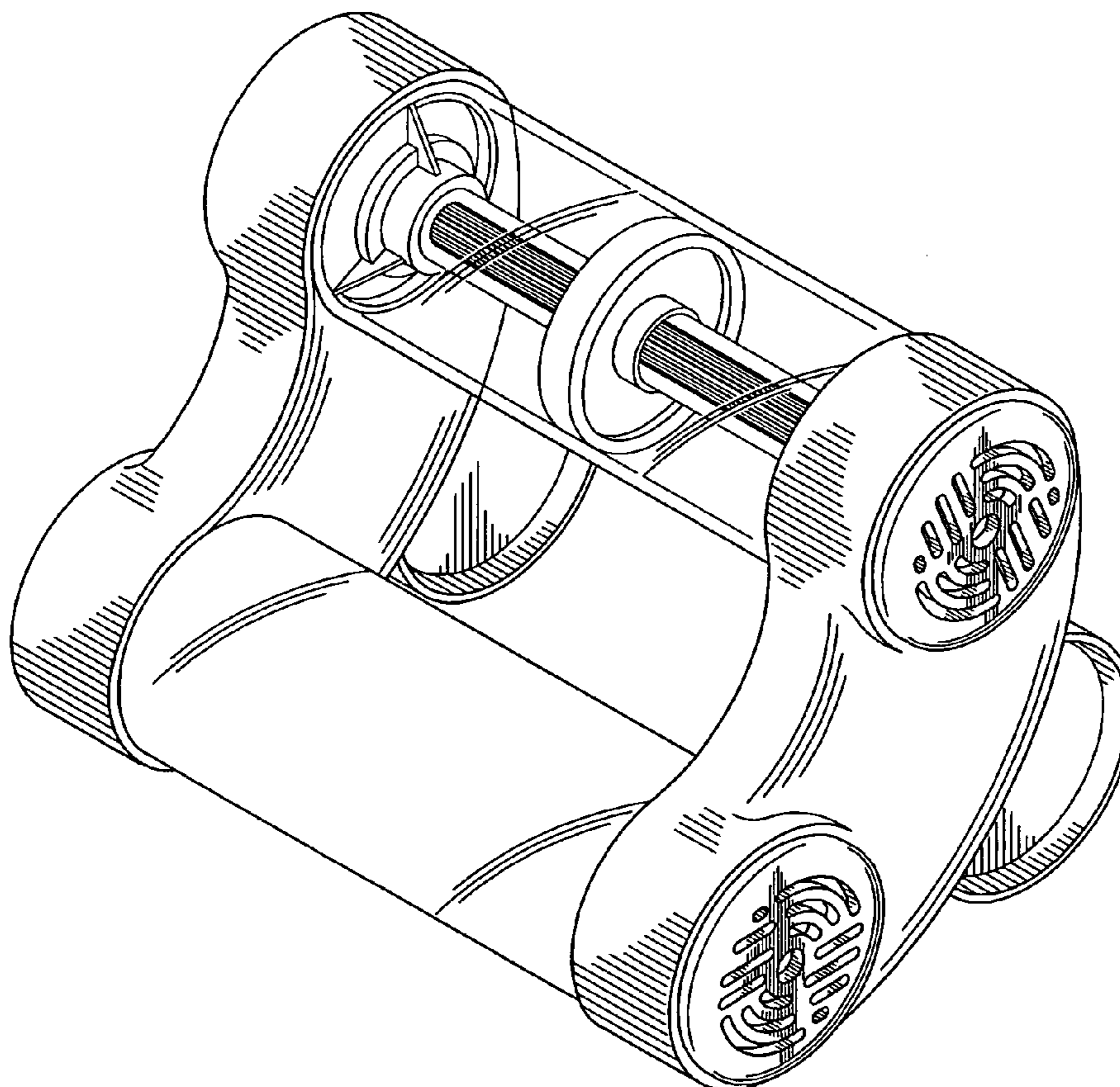
FIG. 4 is a front elevational view thereof;

FIG. 5 is a bottom plan view thereof;

FIG. 6 is a left side elevational view thereof; and,

FIG. 7 is a rear elevational view thereof.

1 Claim, 4 Drawing Sheets



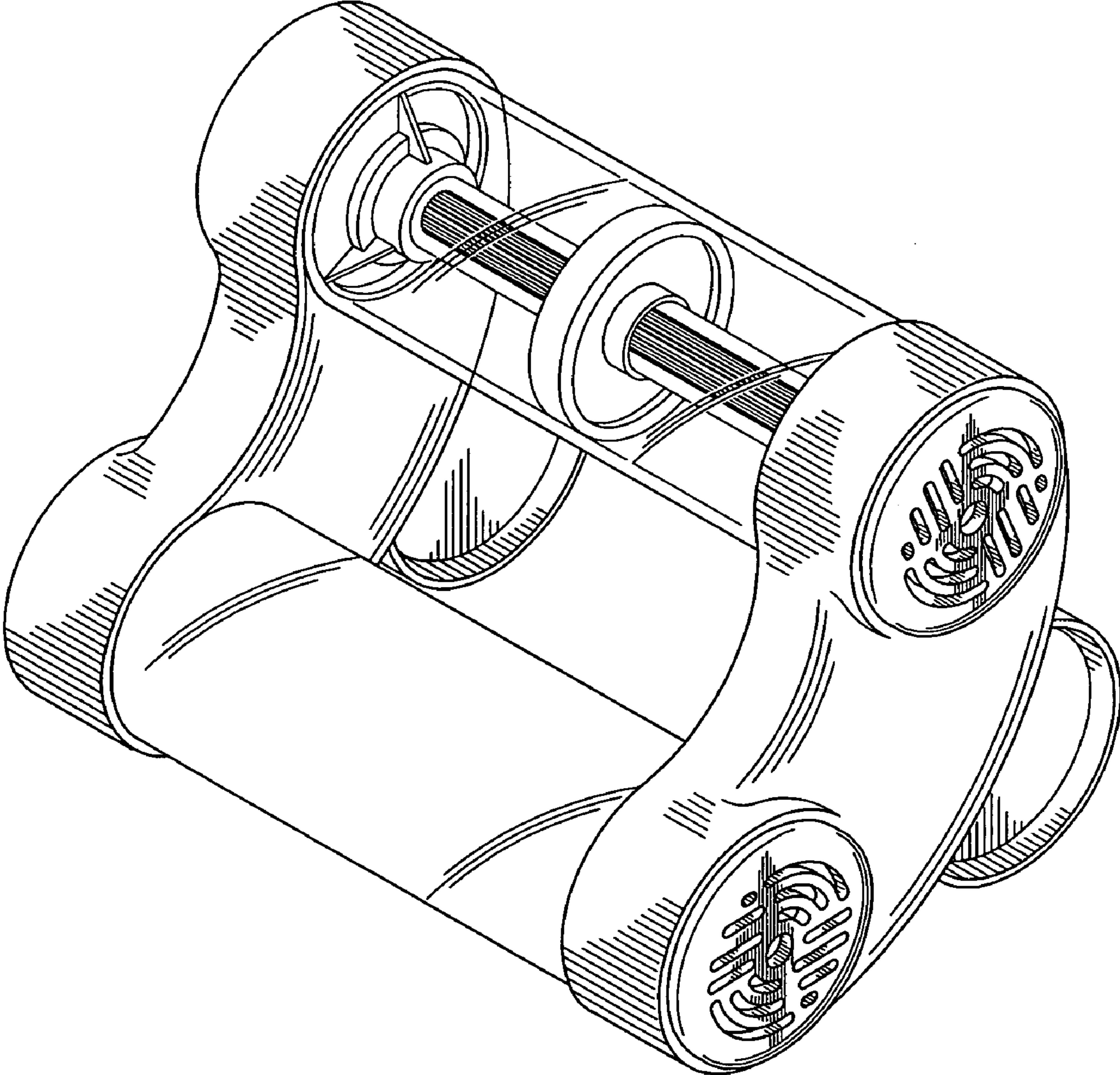


FIG.1

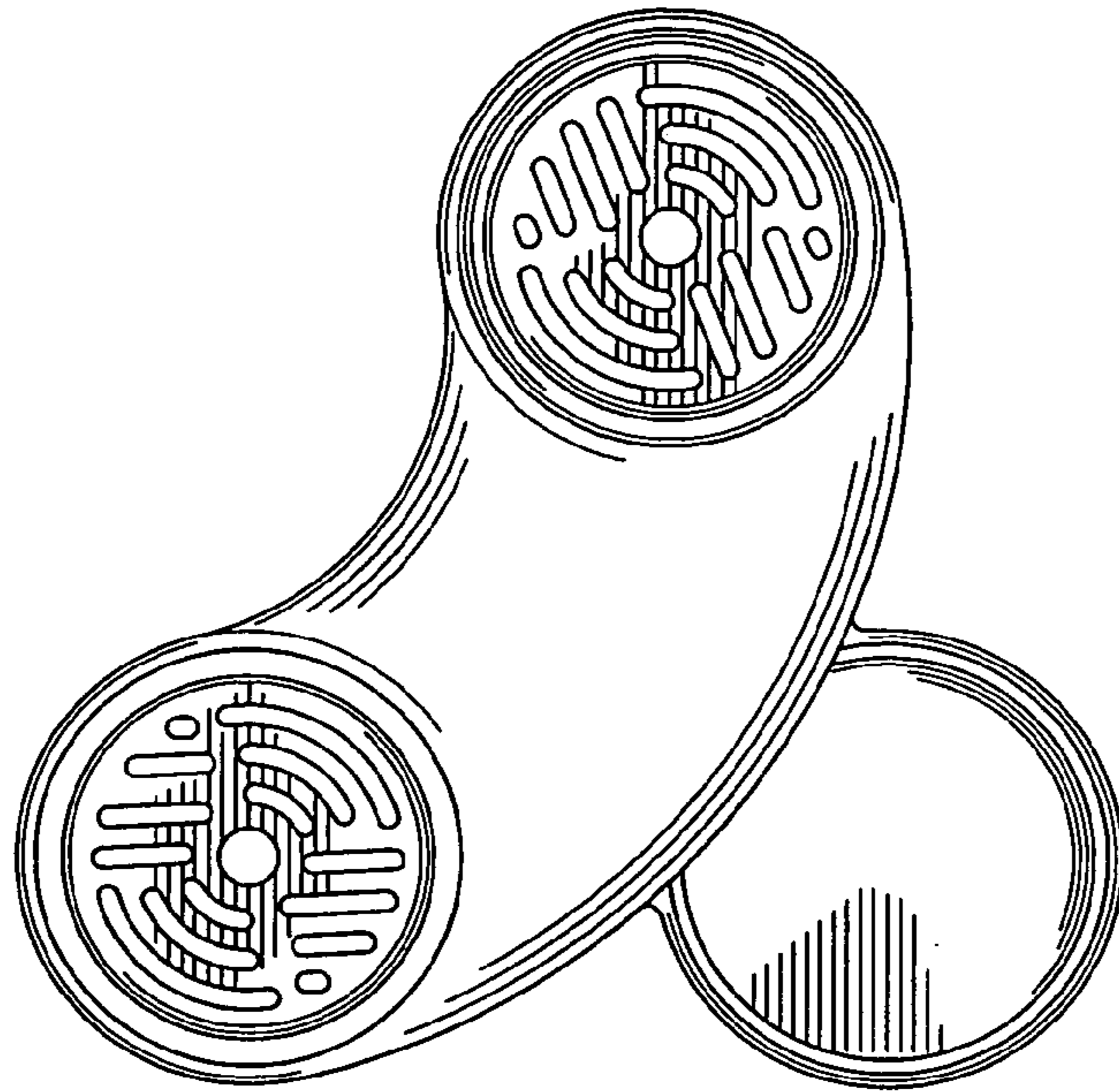


FIG. 2

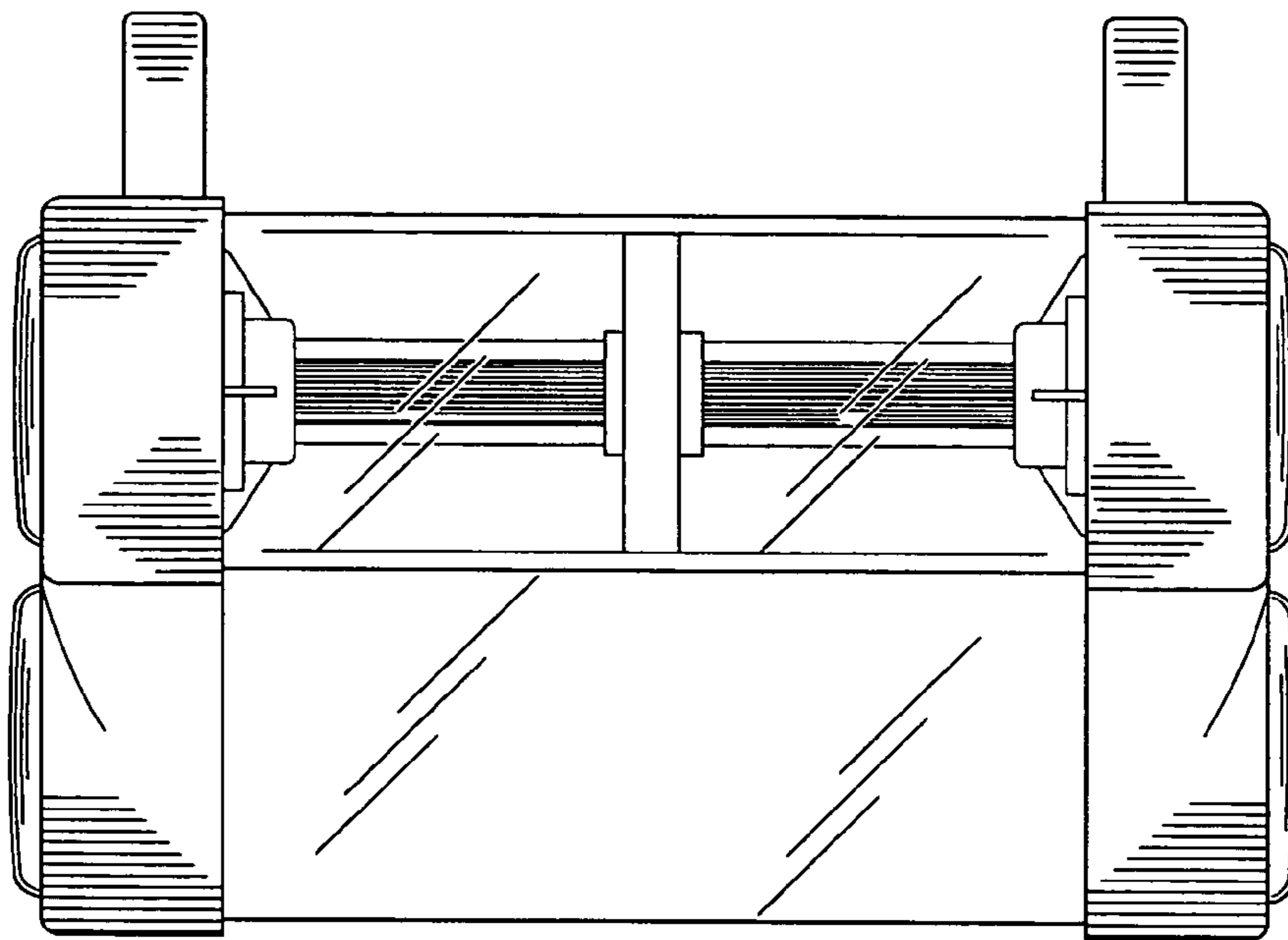


FIG. 3

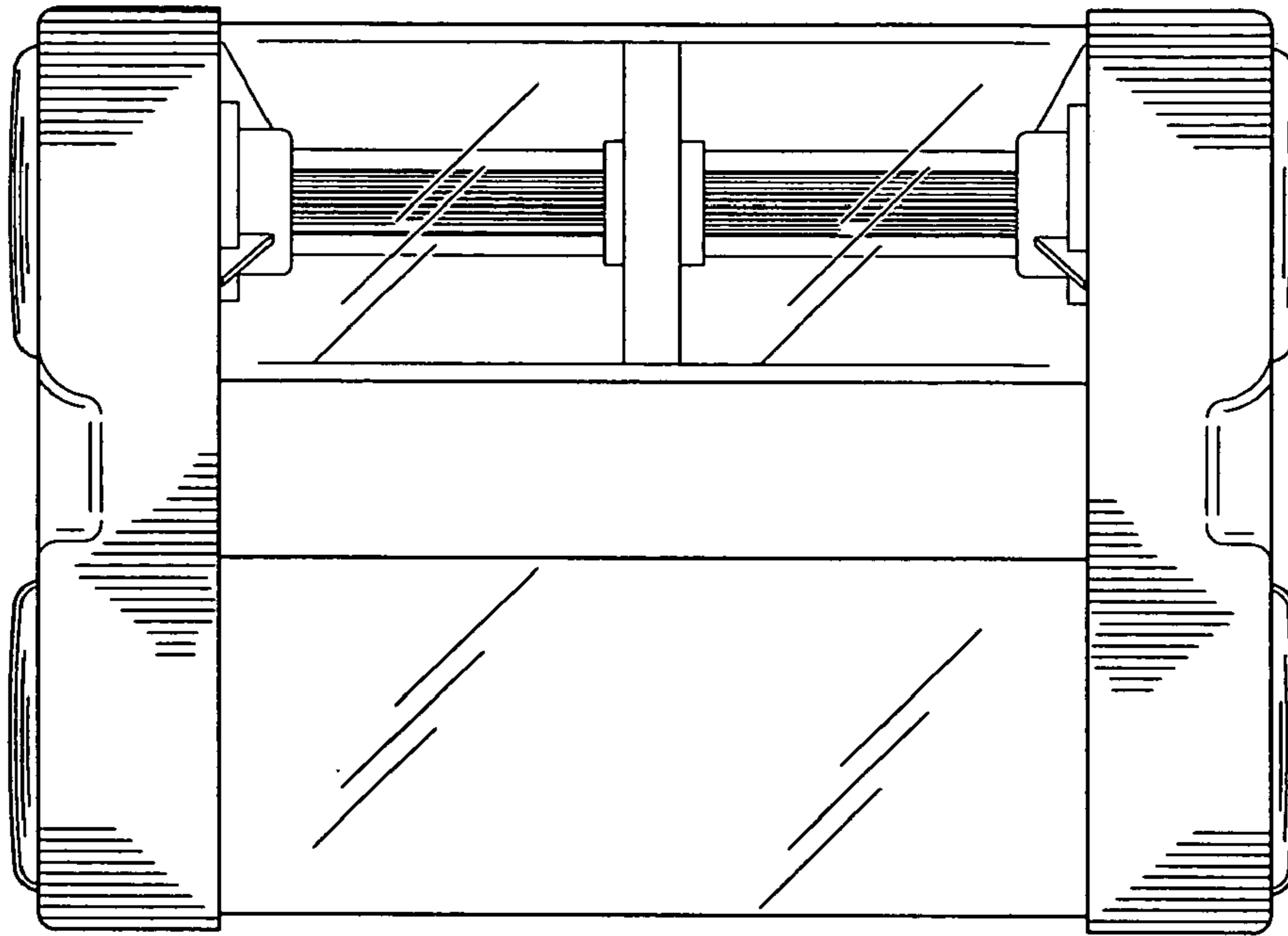


FIG. 4

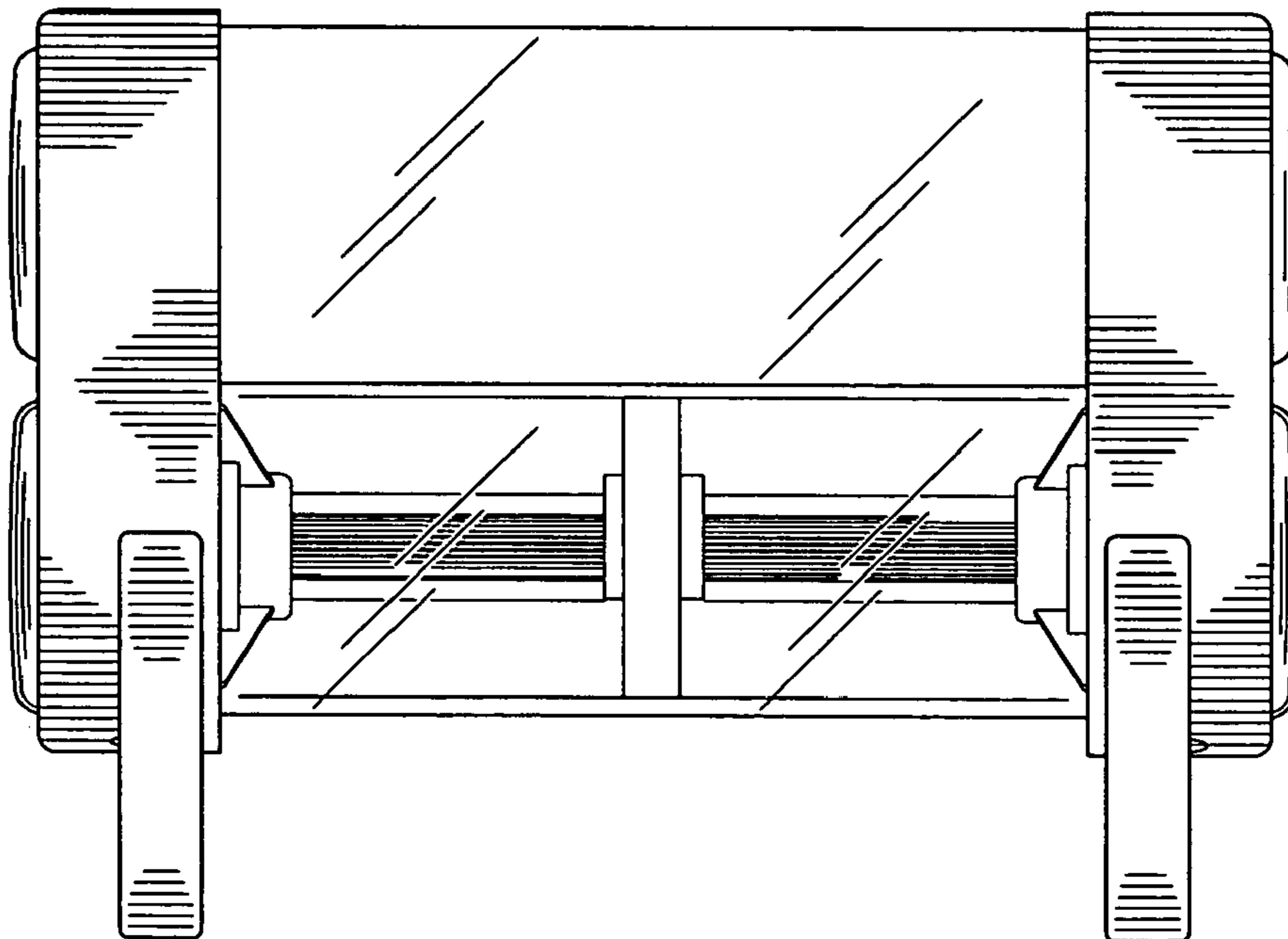


FIG. 5

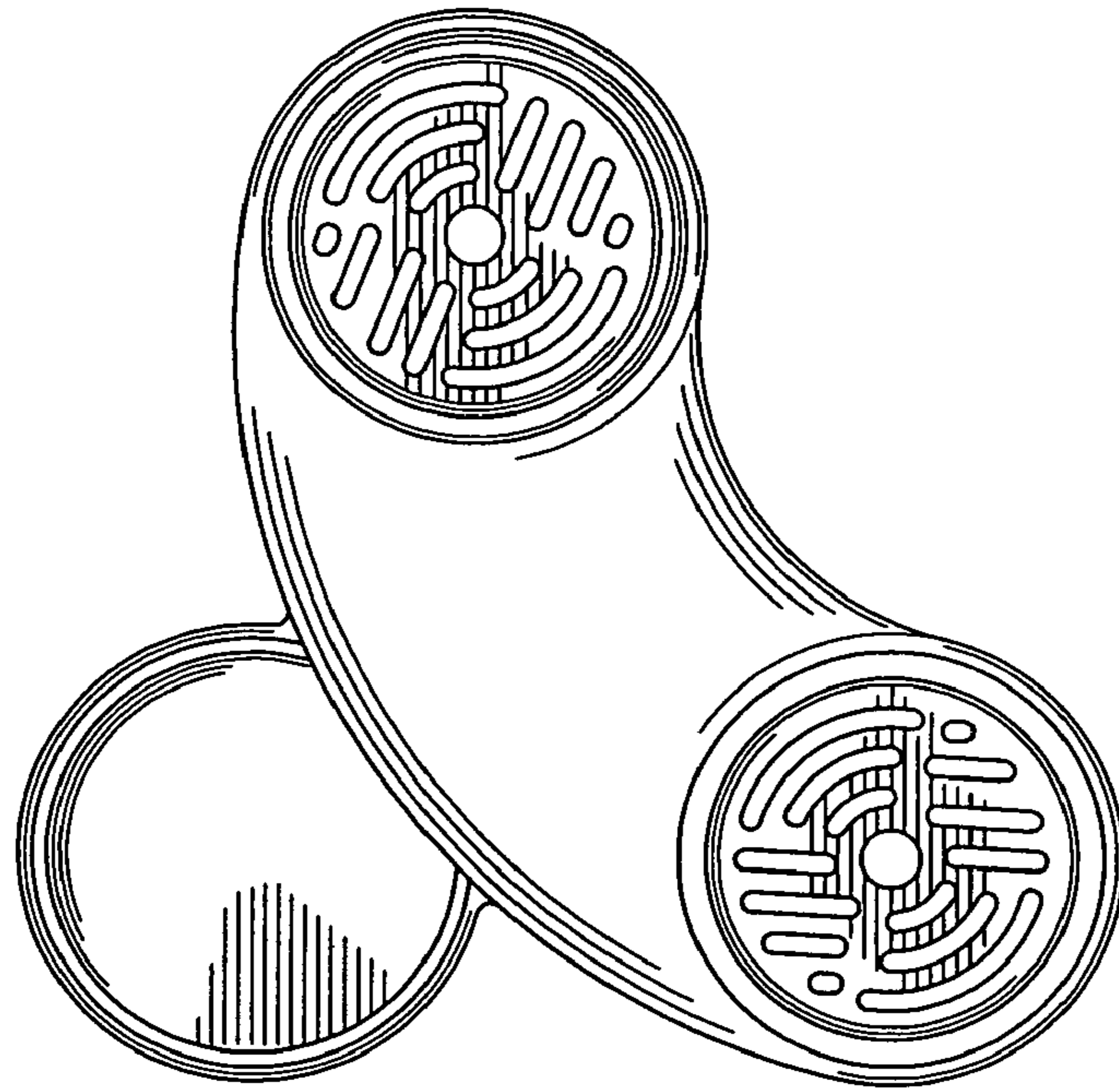


FIG. 6

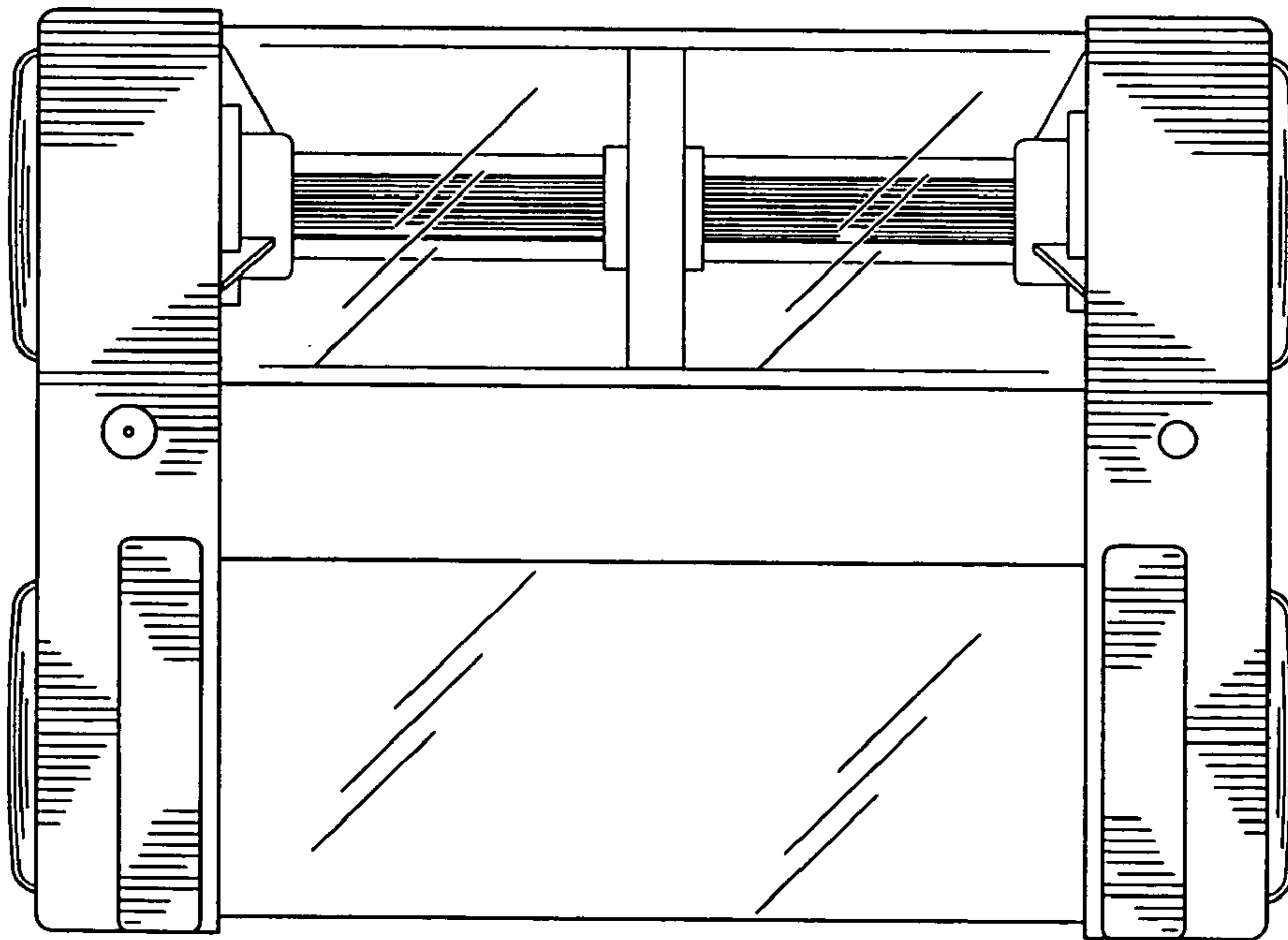


FIG. 7