



US00D553610S

(12) **United States Design Patent**
Tragatschnig

(10) **Patent No.:** **US D553,610 S**

(45) **Date of Patent:** **** Oct. 23, 2007**

(54) **RADIO RECEIVER WITH REMOTE CONTROL**

(75) Inventor: **Joerg Tragatschnig**, Zell am See (AT)

(73) Assignee: **Eton Corporation**, Palo Alto, CA (US)

(**) Term: **14 Years**

(21) Appl. No.: **29/252,705**

(22) Filed: **Jan. 25, 2006**

(51) **LOC (8) Cl.** **14-03**

(52) **U.S. Cl.** **D14/193; D14/188**

(58) **Field of Classification Search** D14/134-137,
D14/155, 160-171, 188, 191-198, 217, 265,
D14/496; D10/2; D21/513, 516; 369/6-12;
370/342-344; 455/344-355, 90.1-90.3
See application file for complete search history.

(56) **References Cited**

U.S. PATENT DOCUMENTS

D228,470 S *	9/1973	Makino	D14/196
D239,339 S *	3/1976	Hamada	D14/192
D262,293 S *	12/1981	Anzai	D18/2
D277,099 S *	1/1985	Aoijis	D14/194
D318,471 S *	7/1991	Wada	D14/163
D322,068 S *	12/1991	Yamakawa	D14/168
D342,737 S *	12/1993	Kawase	D14/195
D362,853 S *	10/1995	Hanig	D14/171
D373,126 S *	8/1996	Taniguchi	D14/198
D374,009 S *	9/1996	George	D14/171
D514,547 S *	2/2006	Tragatschnig	D14/188

* cited by examiner

Primary Examiner—Stella M. Reid

Assistant Examiner—Keli L. Acker

(74) *Attorney, Agent, or Firm*—Jones Day; Brett Lovejoy

(57) **CLAIM**

The ornamental design for a radio receiver with remote control, as shown and described.

DESCRIPTION

FIG. 1 is a front perspective view of a radio receiver with remote control, embodying my new design, with the antenna and back support piece shown in a closed position;

FIG. 2 is a front view thereof;

FIG. 3 is a back view thereof;

FIG. 4 is a top plan view thereof;

FIG. 5 is a bottom plan view thereof;

FIG. 6 is a side view thereof;

FIG. 7 is an opposite side view thereof;

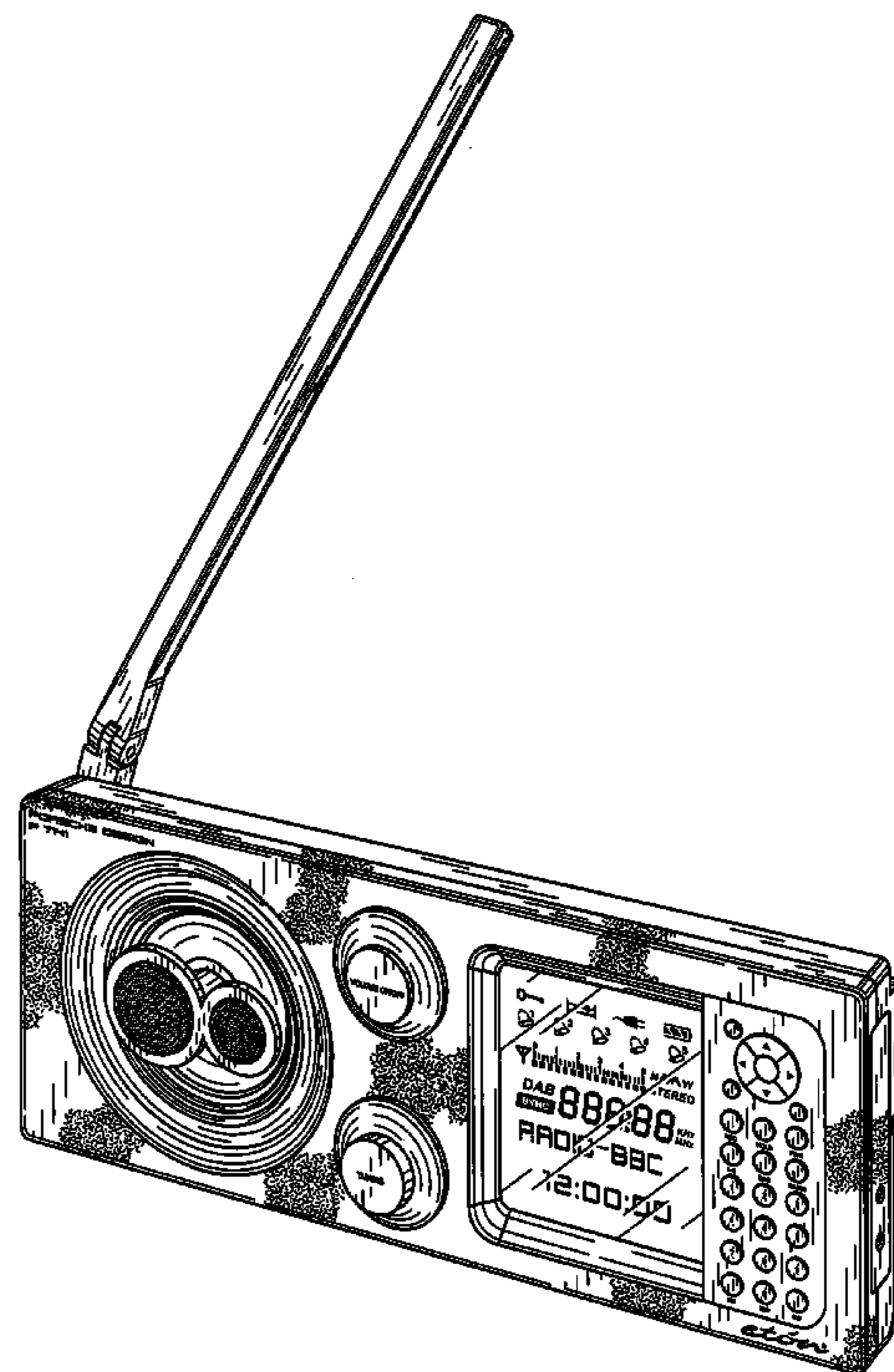
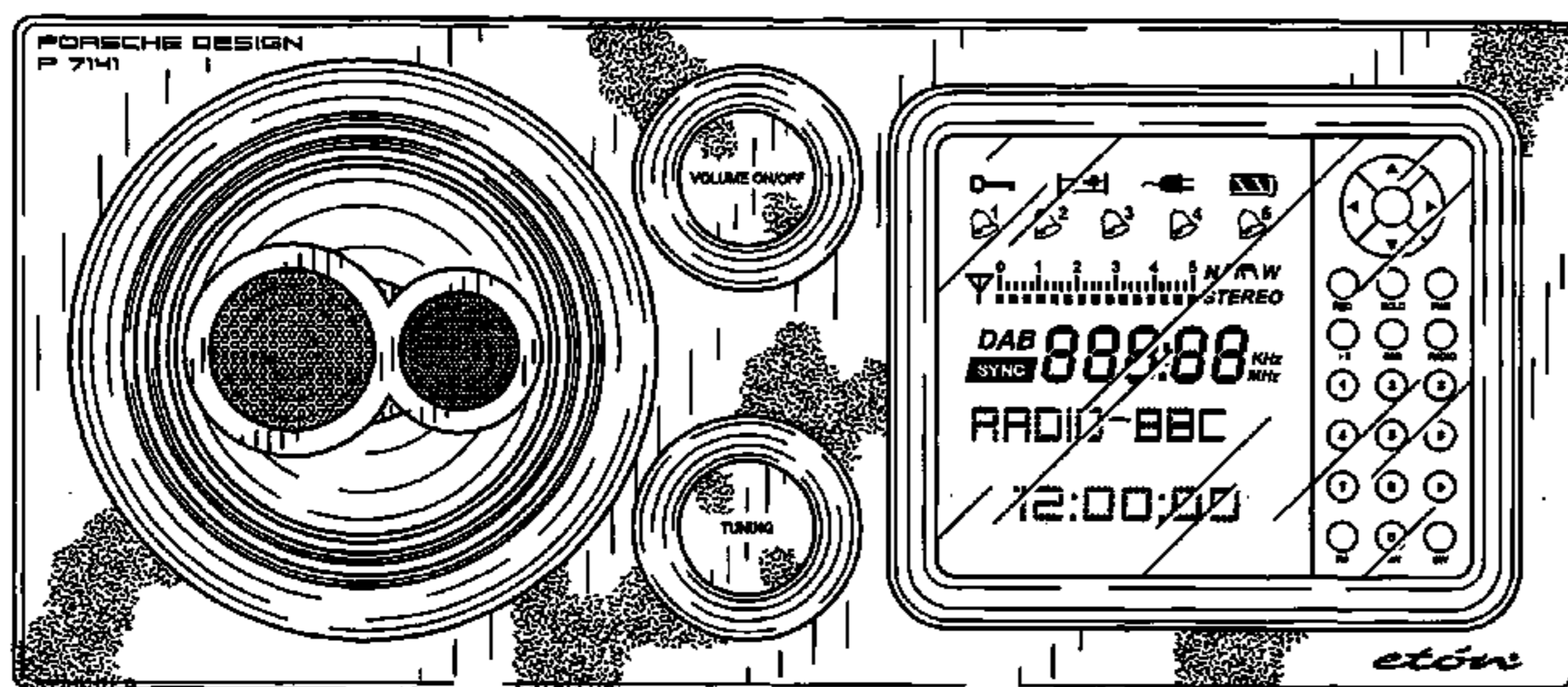
FIG. 8 is an alternate condition front perspective view thereof, with the remote control detached from the radio receiver;

FIG. 9 is a front view thereof;

FIG. 10 is an alternate front perspective view with the remote is attached to the radio receiver and the antenna is in an open position; and,

FIG. 11 is an alternate back perspective view thereof, in which the back support piece is in an open position.

1 Claim, 10 Drawing Sheets



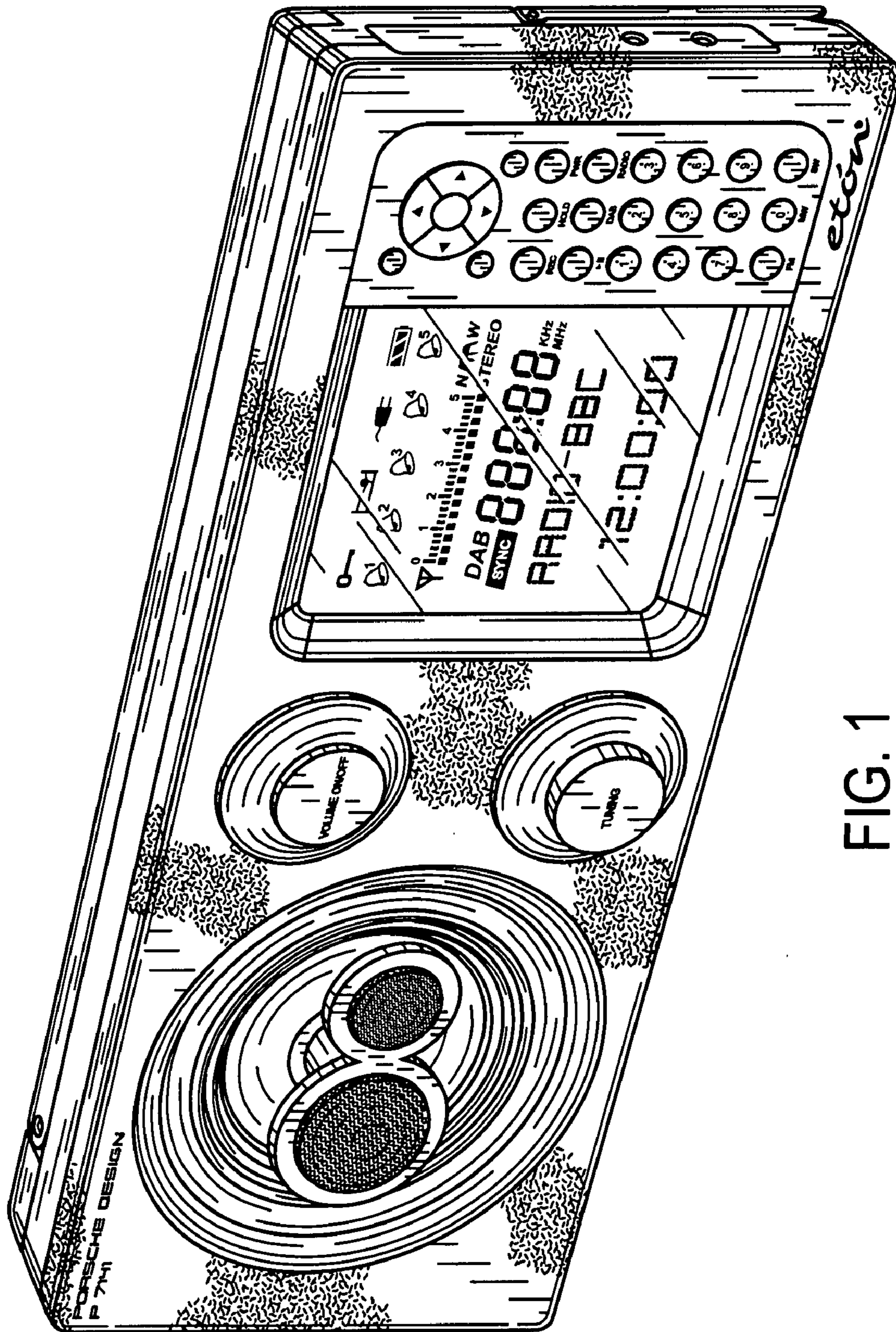


FIG. 1

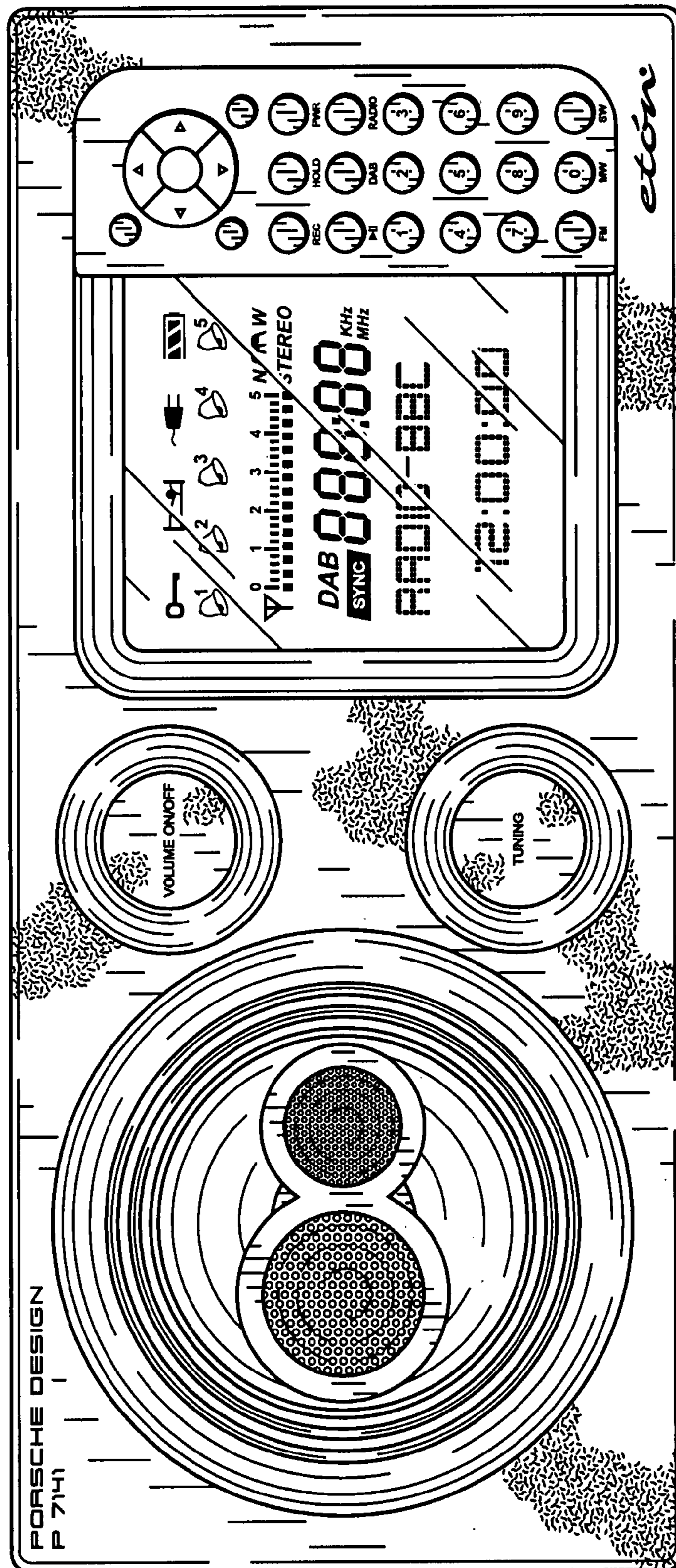


FIG. 2

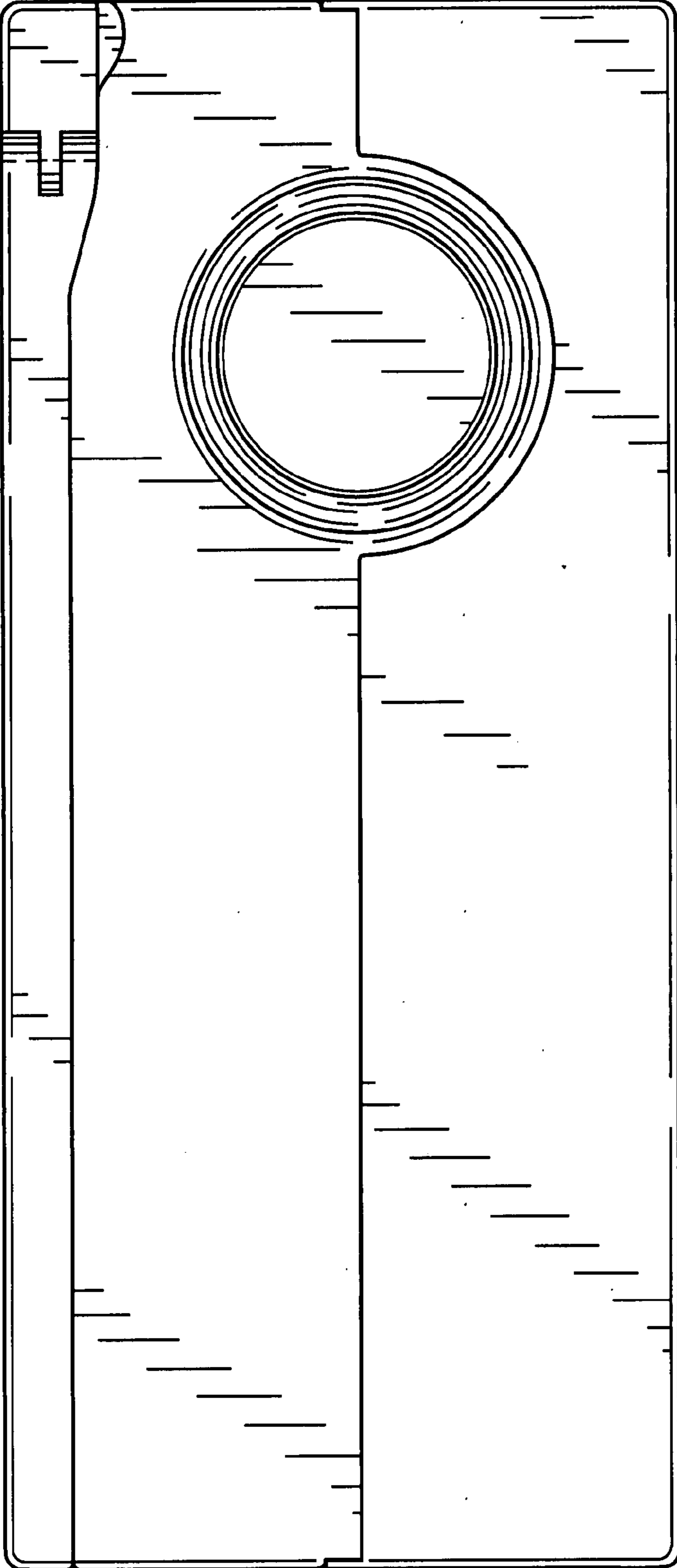


FIG. 3

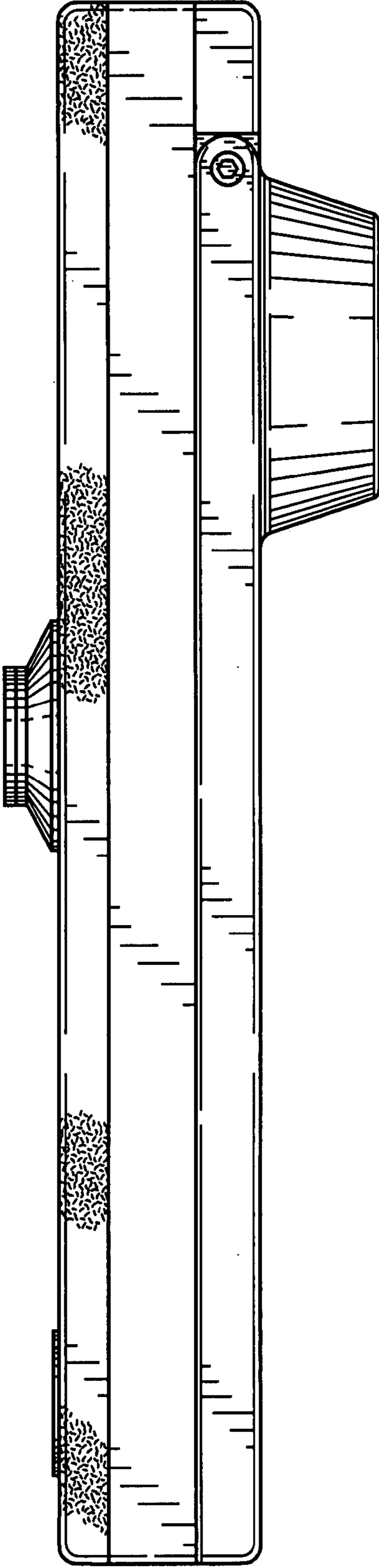


FIG. 4

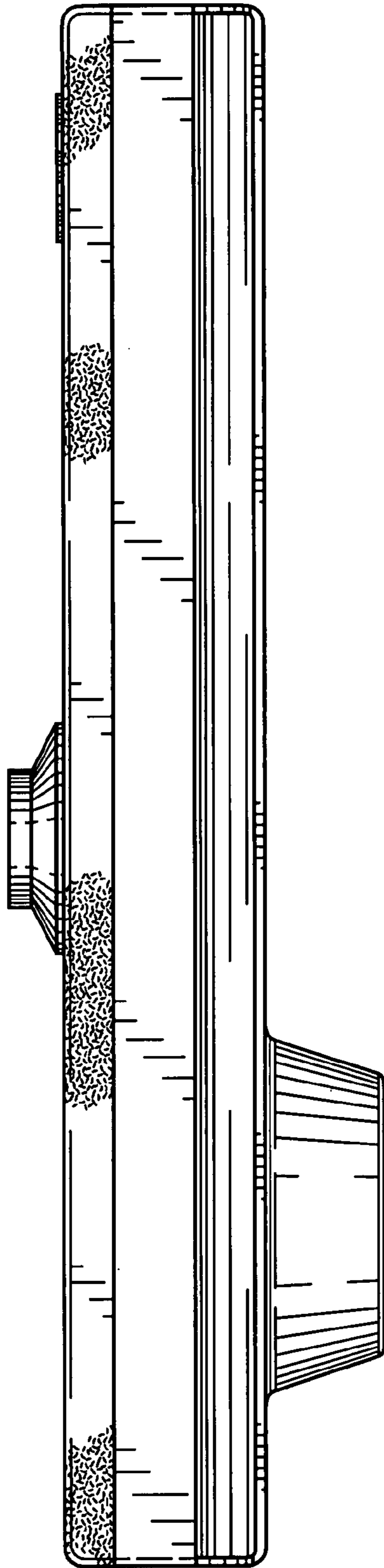


FIG. 5

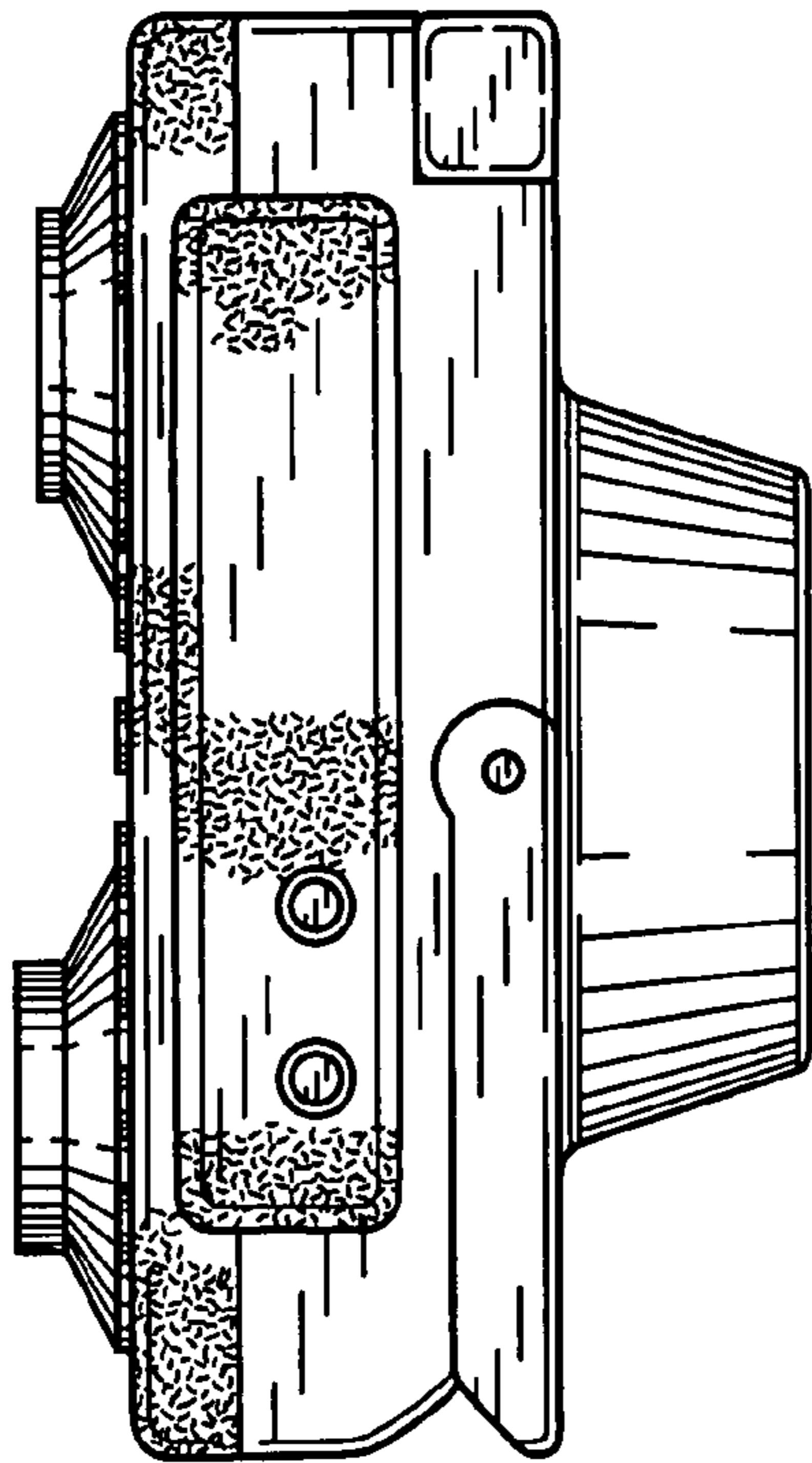


FIG. 6

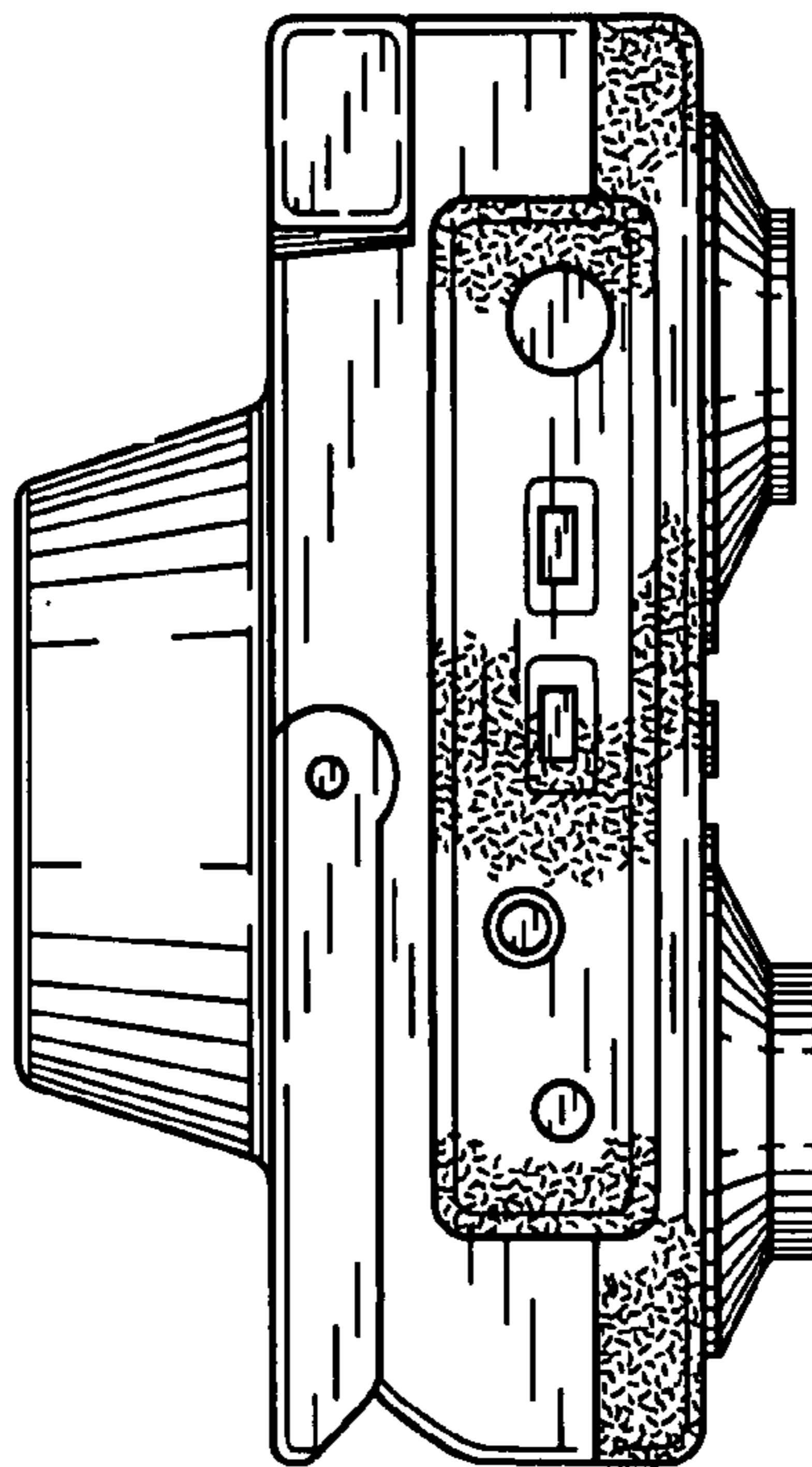


FIG. 7

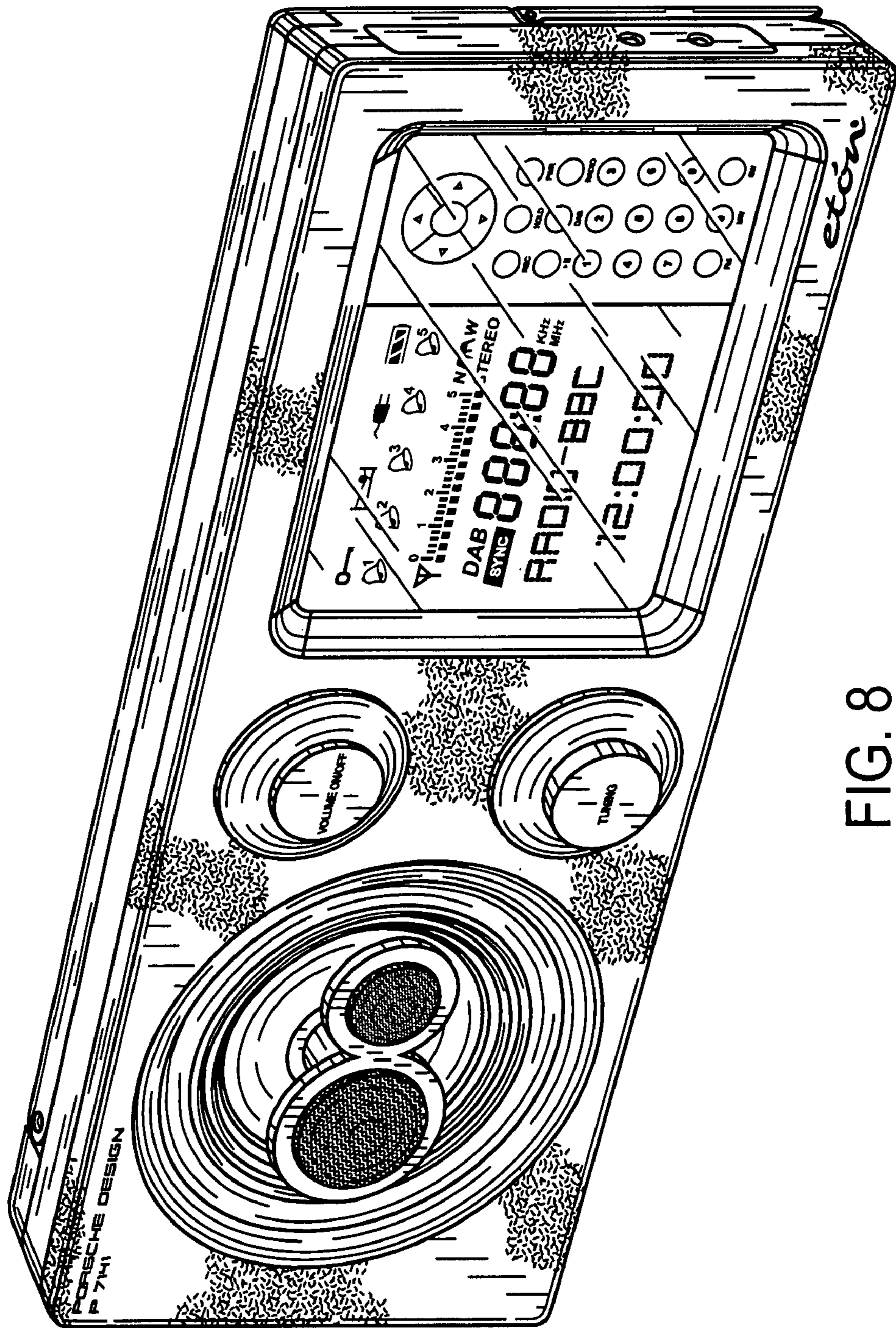


FIG. 8

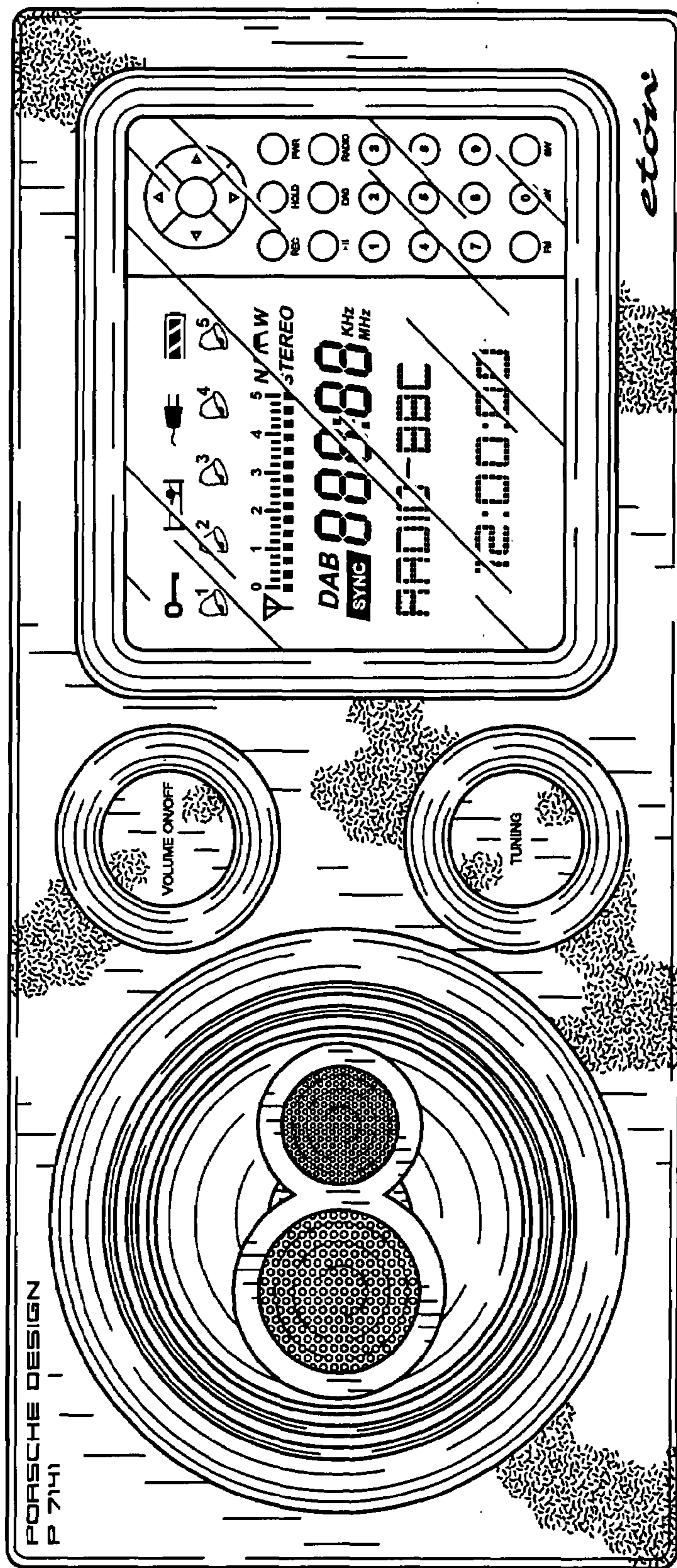


FIG. 9

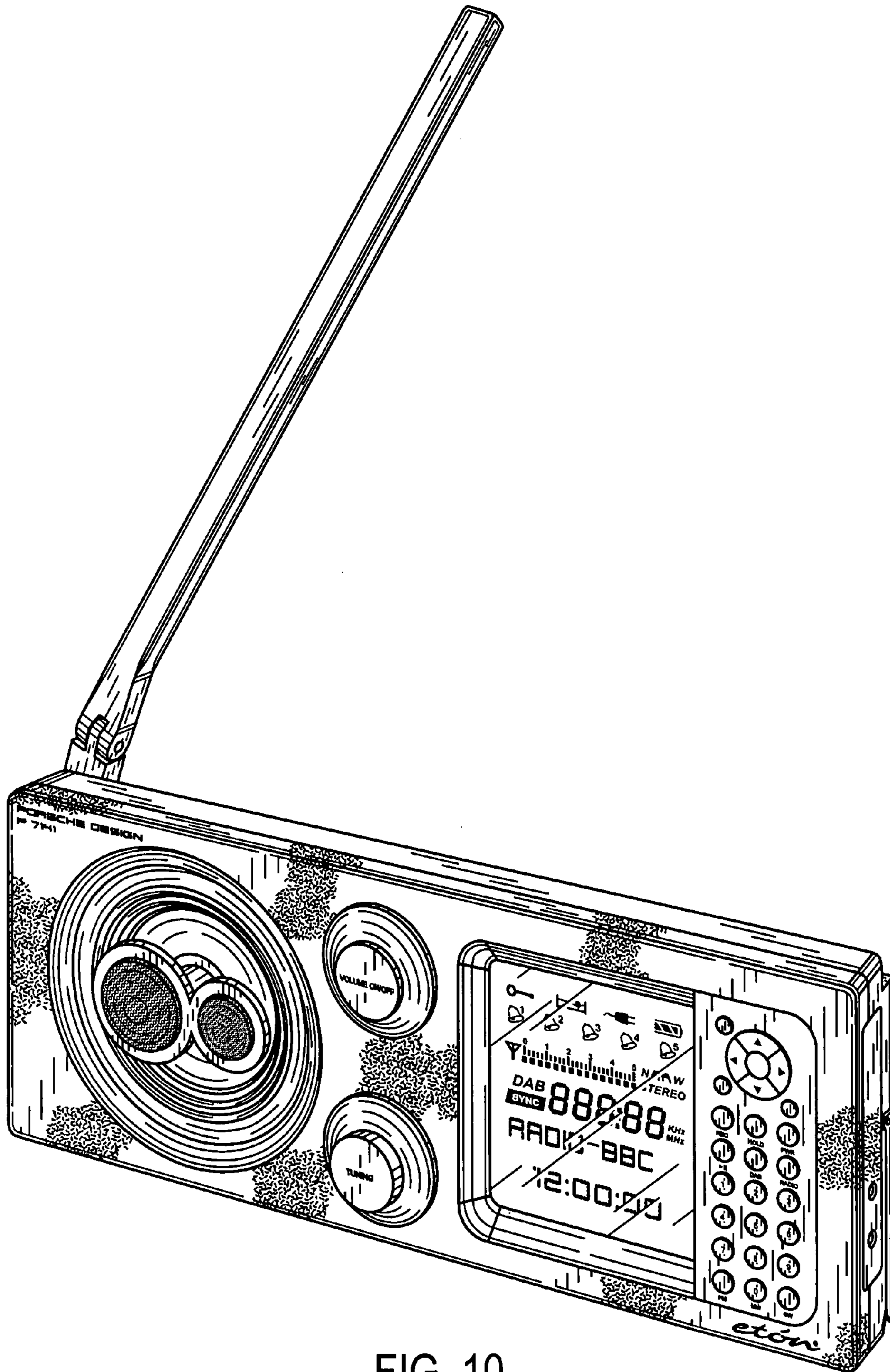


FIG. 10

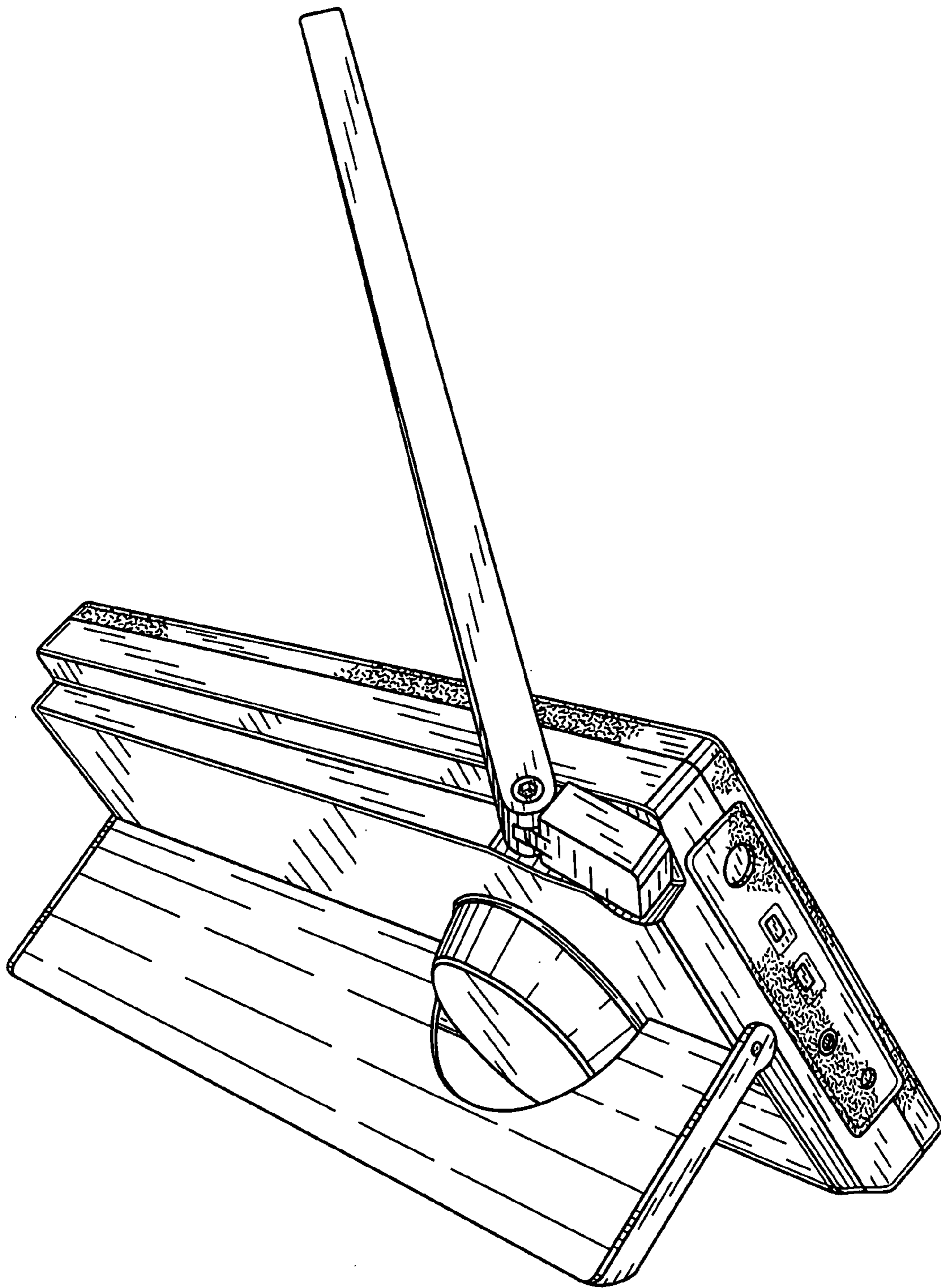


FIG. 11