



US00D553609S

(12) **United States Design Patent**  
**Chow**

(10) **Patent No.:** **US D553,609 S**

(45) **Date of Patent:** **\*\* Oct. 23, 2007**

(54) **TRAVELLER'S FM-SCANNER ALARM  
CLOCK WITH POP-UP LIGHT**

(75) Inventor: **Kenneth Chow**, Hong Kong (HK)

(73) Assignee: **King's Manufacturing Co., Ltd.**, Hong Kong (CN)

(\*\*) Term: **14 Years**

(21) Appl. No.: **29/246,802**

(22) Filed: **May 11, 2006**

(51) **LOC (8) Cl.** ..... **14-03**

(52) **U.S. Cl.** ..... **D14/171; D10/2**

(58) **Field of Classification Search** ..... D14/68,  
D14/135, 136, 170, 171, 188, 193-198; D10/1,  
D10/2, 15, 18, 128; 312/7.1; 455/91, 95,  
455/100, 128, 344, 347, 350, 351  
See application file for complete search history.

(56) **References Cited**

**U.S. PATENT DOCUMENTS**

D315,734 S *	3/1991	Shimasaki	.....	D14/171
D352,664 S *	11/1994	Peersmann	.....	D10/2
D367,057 S *	2/1996	Wong	.....	D14/171
D371,363 S *	7/1996	Tejima	.....	D14/193
D377,649 S *	1/1997	Wong	.....	D14/171
D391,257 S *	2/1998	Ngan	.....	D14/171
D397,299 S *	8/1998	Wong	.....	D10/3
D438,900 S *	3/2001	Chu et al.	.....	D19/21
D482,626 S *	11/2003	Christianson	.....	D10/15
6,795,377 B2 *	9/2004	Gorden	.....	368/12

\* cited by examiner

*Primary Examiner*—Mitchell Siegel

*Assistant Examiner*—Keli L. Acker

(74) *Attorney, Agent, or Firm*—Thelen Reid Brown Raysman & Steiner; Aaron Winger

(57) **CLAIM**

The ornamental design for a traveller's FM-scanner alarm clock with pop-up light, as shown and described.

**DESCRIPTION**

FIG. 1 is a front view of a traveller's FM-scanner alarm clock with pop-up light in a closed position incorporating my new design;

FIG. 2 is a right side view thereof;

FIG. 3 is a top view thereof;

FIG. 4 is a left side view thereof;

FIG. 5 is a back view thereof;

FIG. 6 is a bottom view thereof;

FIG. 7 is a front view of the traveller's FM-scanner alarm clock with pop-up light in an open position incorporating my new design;

FIG. 8 is a bottom view thereof;

FIG. 9 is a right side view thereof;

FIG. 10 is a top view thereof;

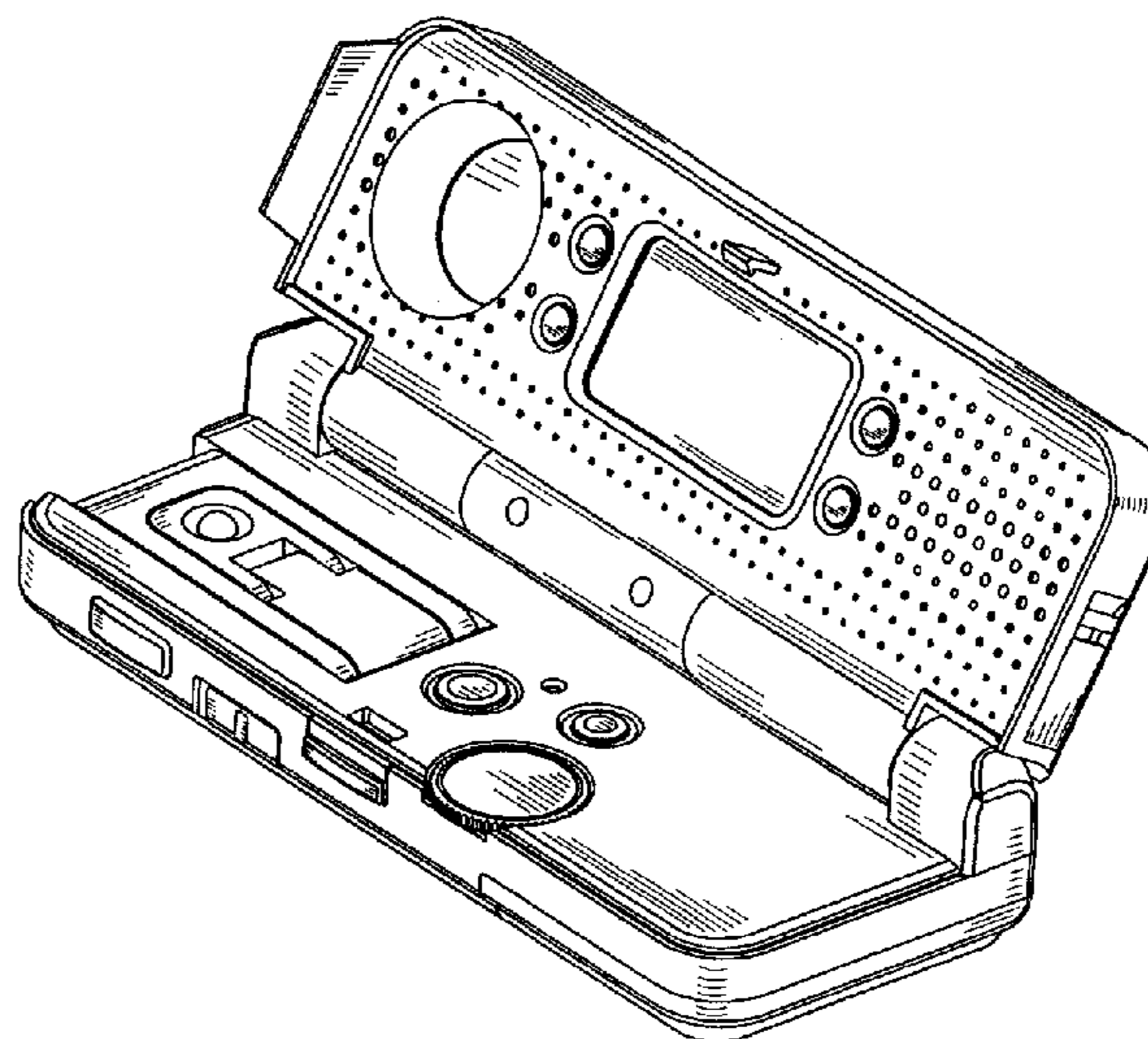
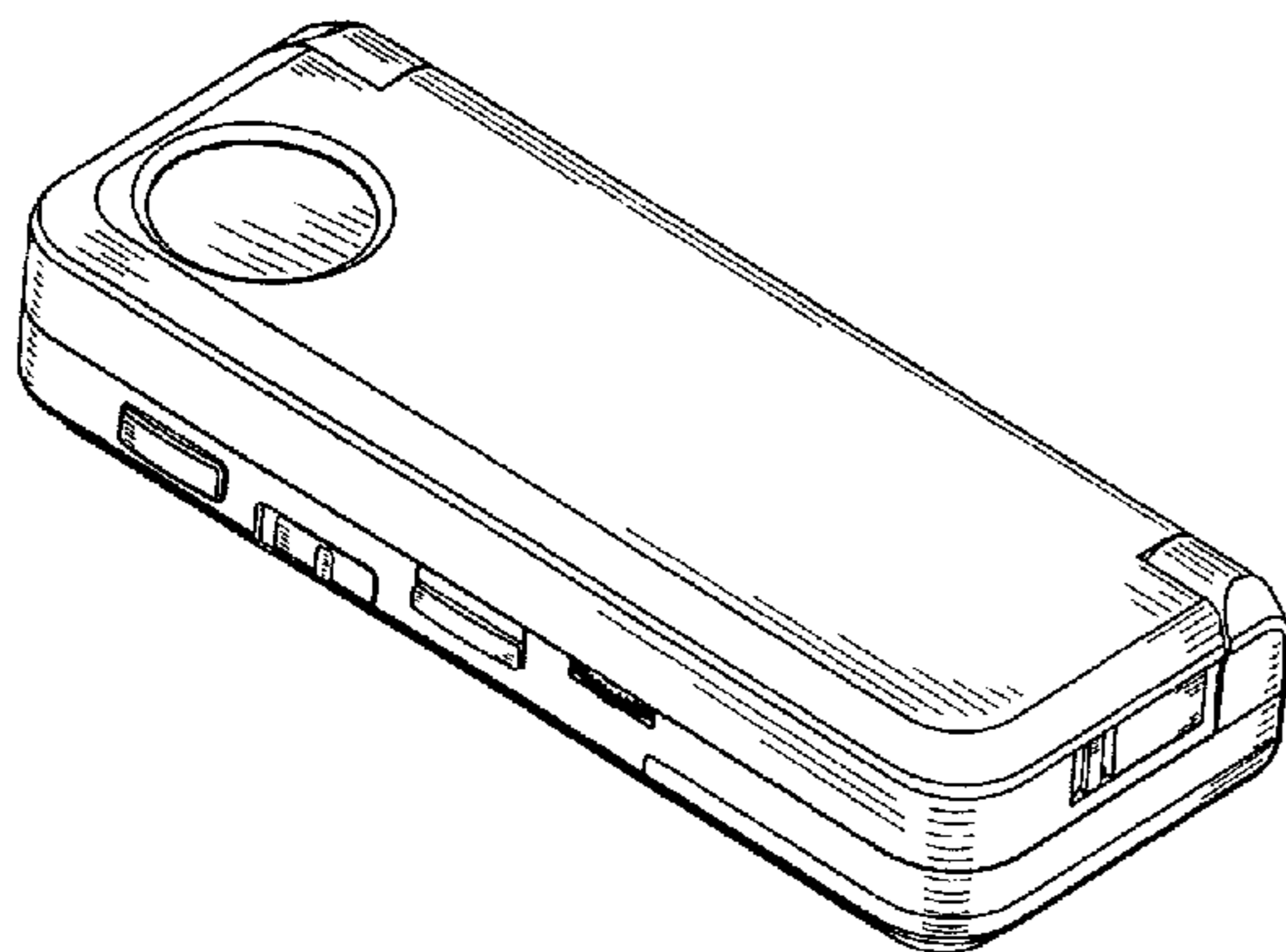
FIG. 11 is a left side view thereof;

FIG. 12 is a back view thereof;

FIG. 13 is a perspective view thereof in the closed position; and,

FIG. 14 is a perspective view thereof in the open position.

**1 Claim, 3 Drawing Sheets**



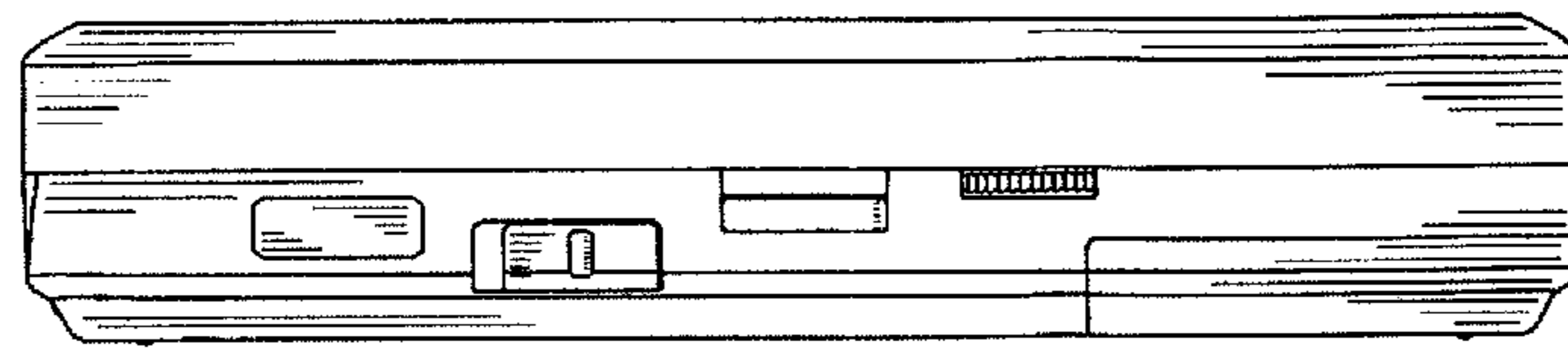


FIG. 1

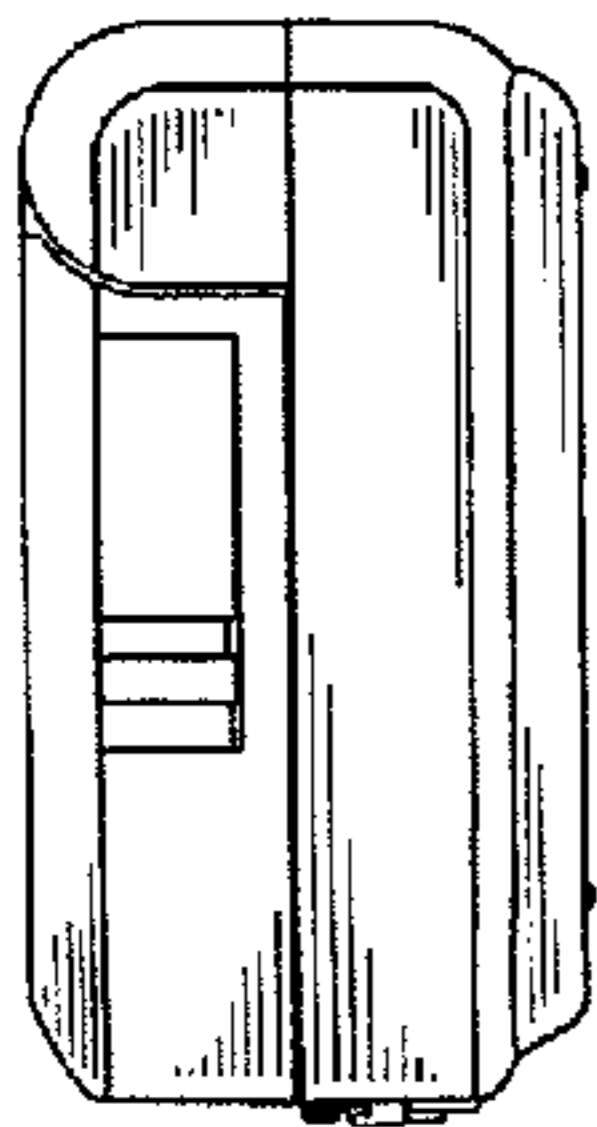


FIG. 2

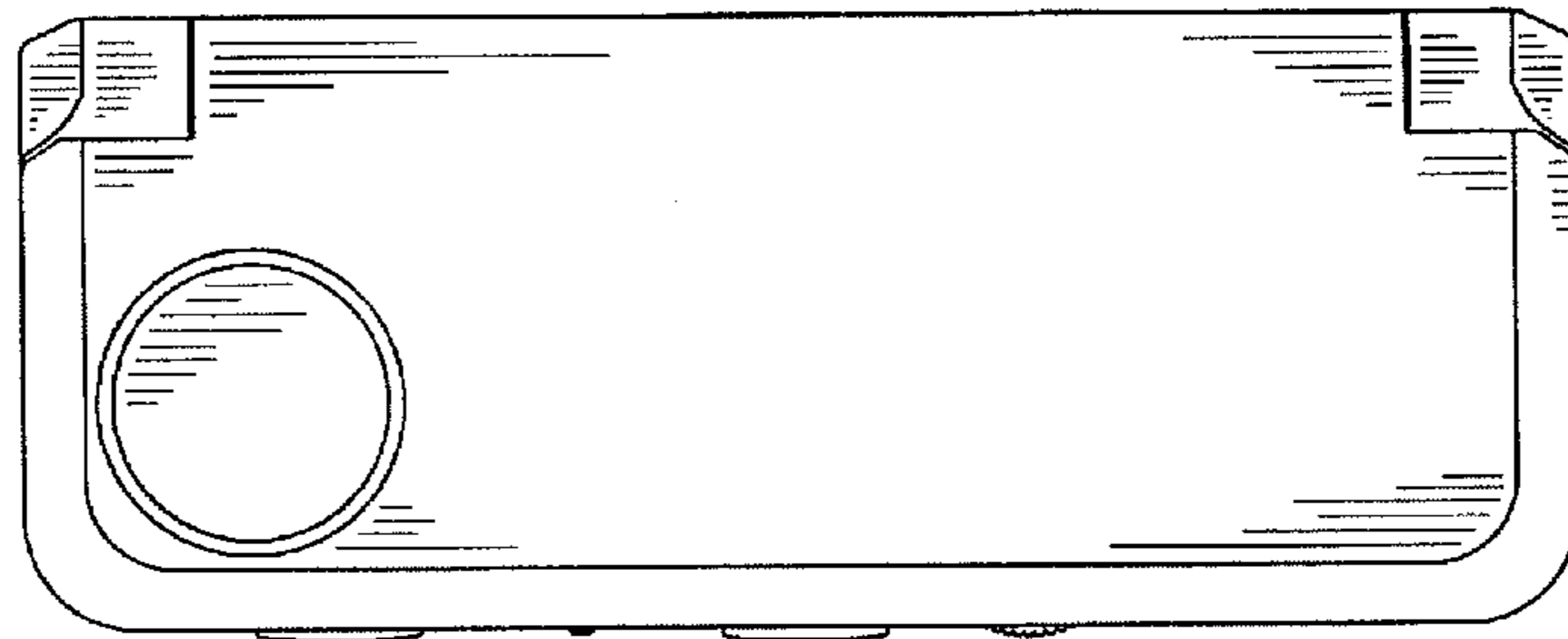


FIG. 3

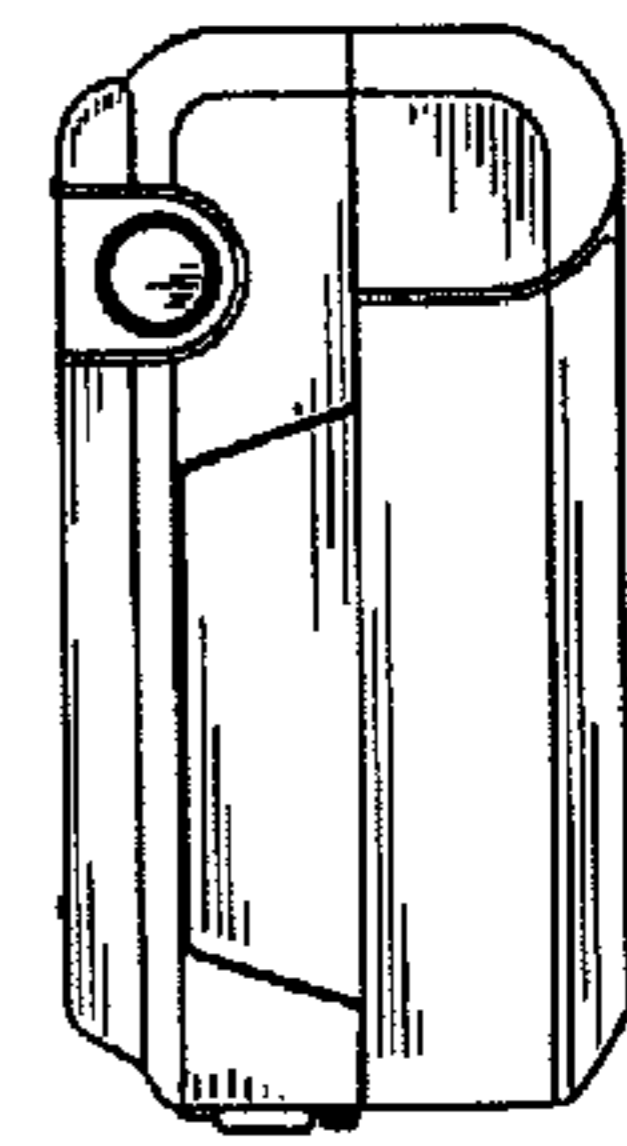


FIG. 4

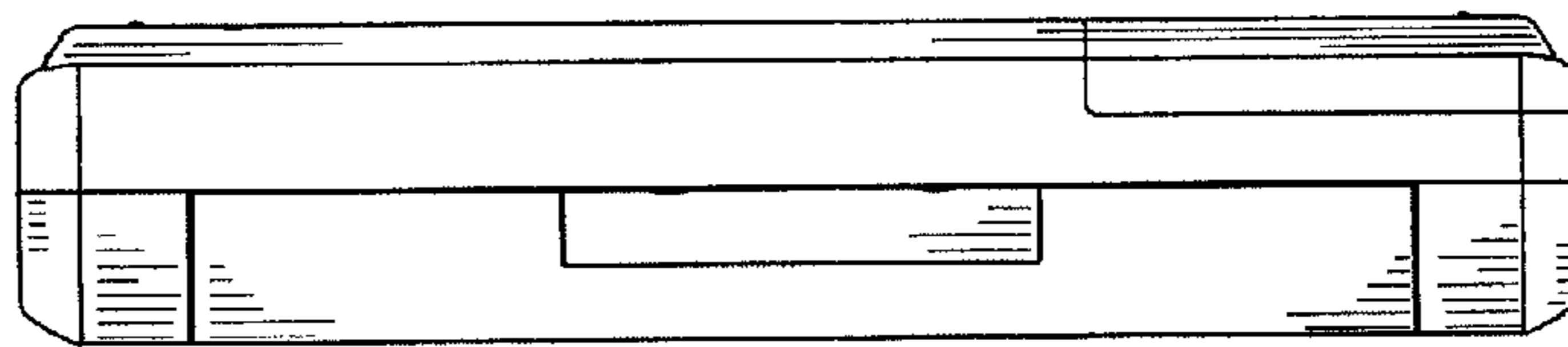


FIG. 5

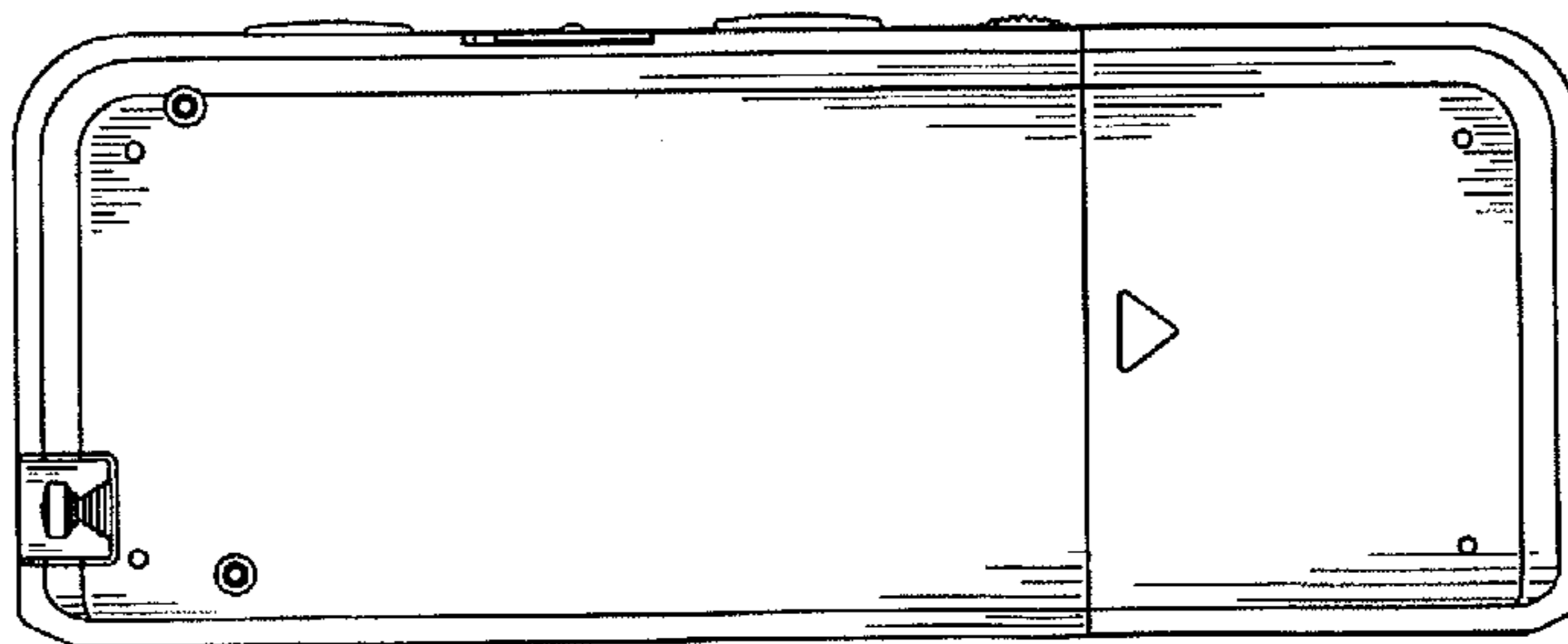


FIG. 6

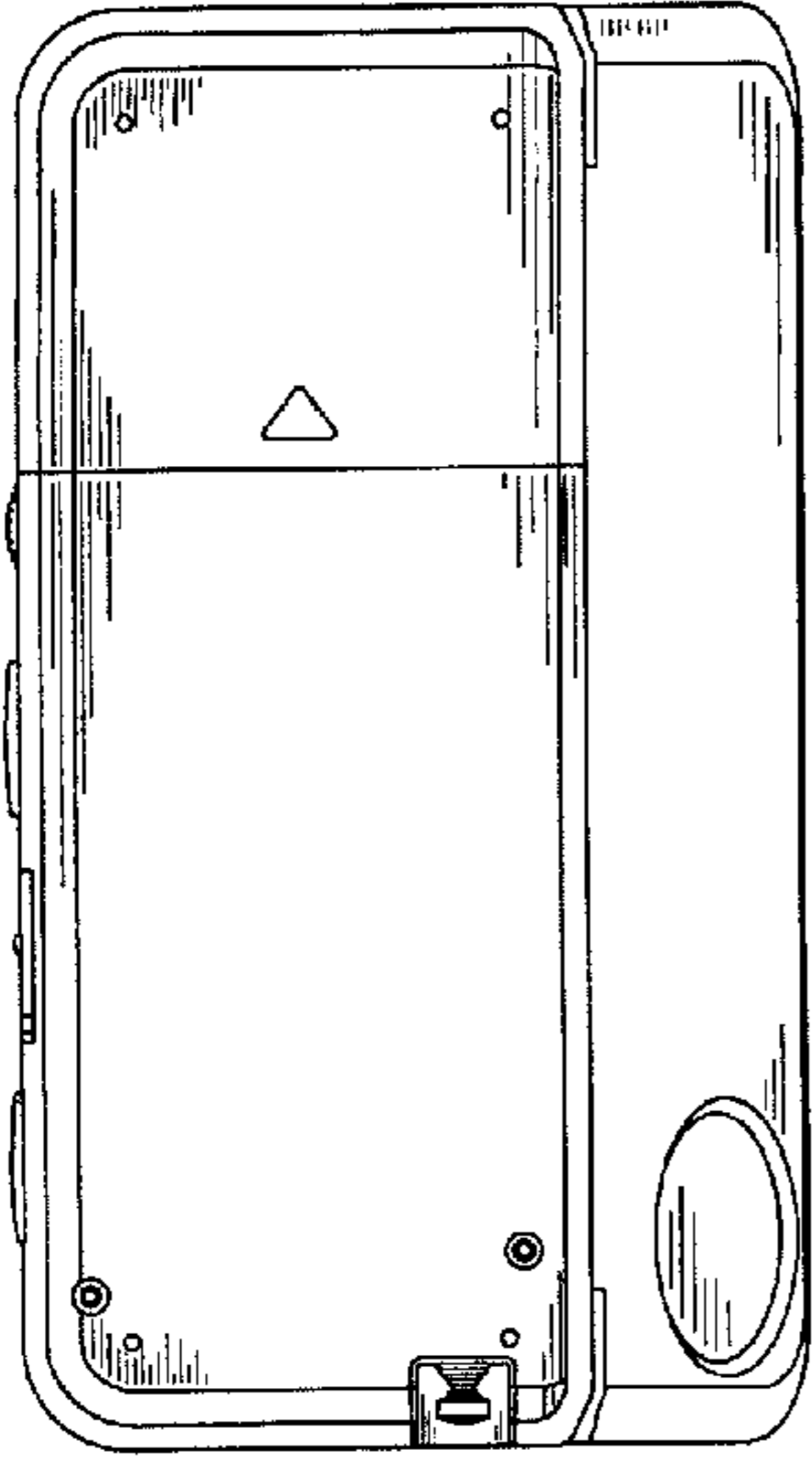


FIG. 8

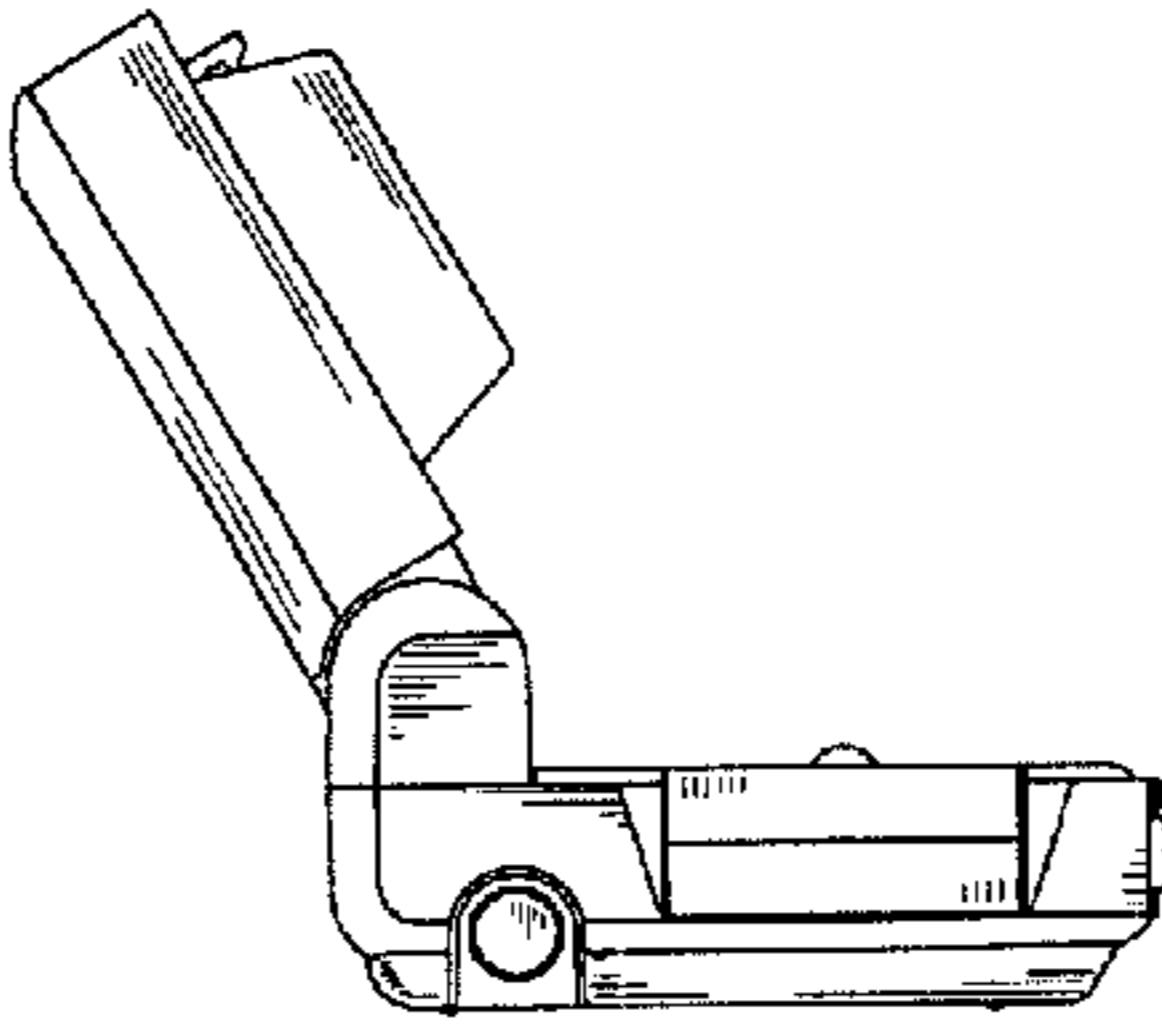


FIG. 11

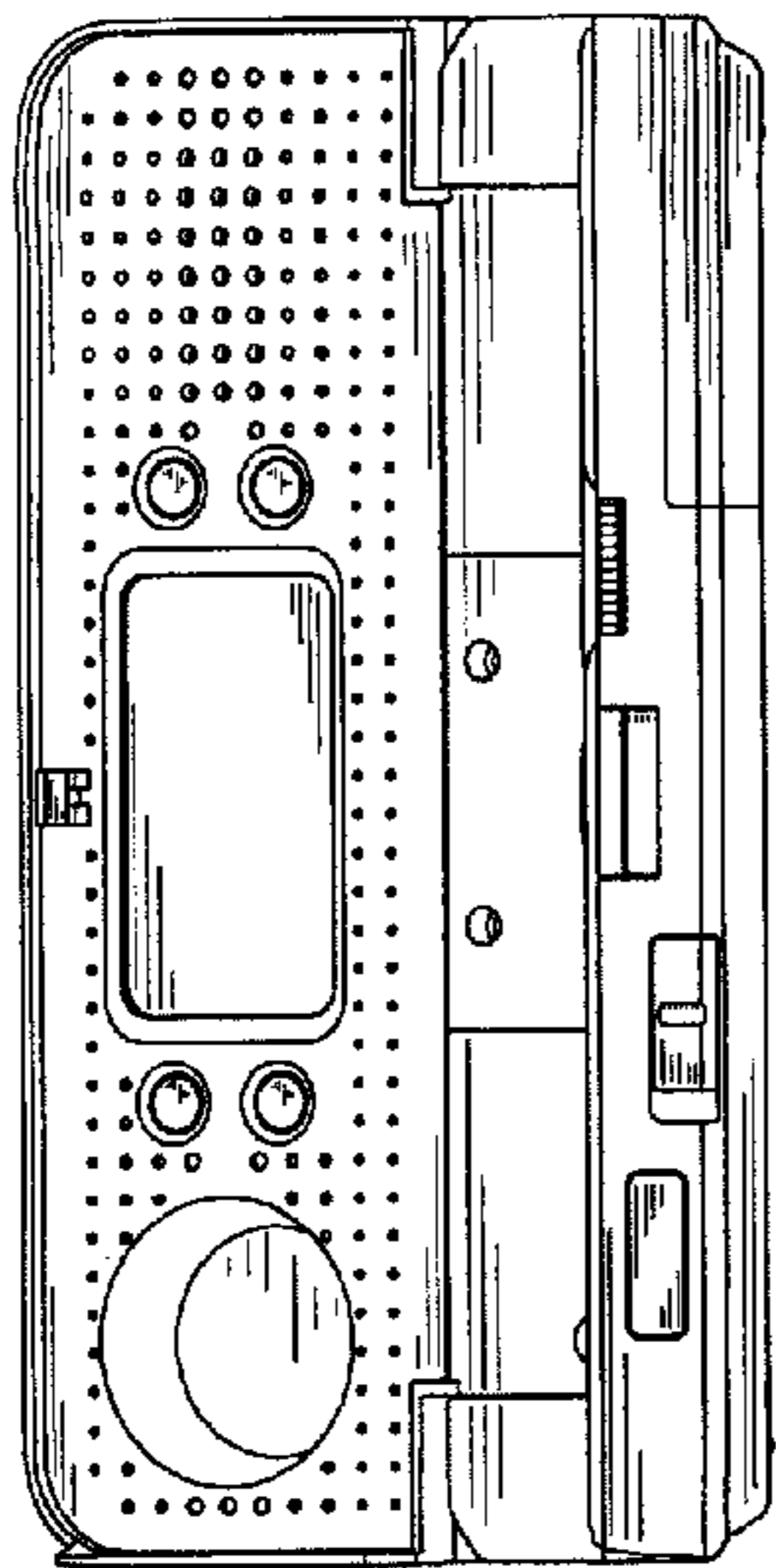


FIG. 7

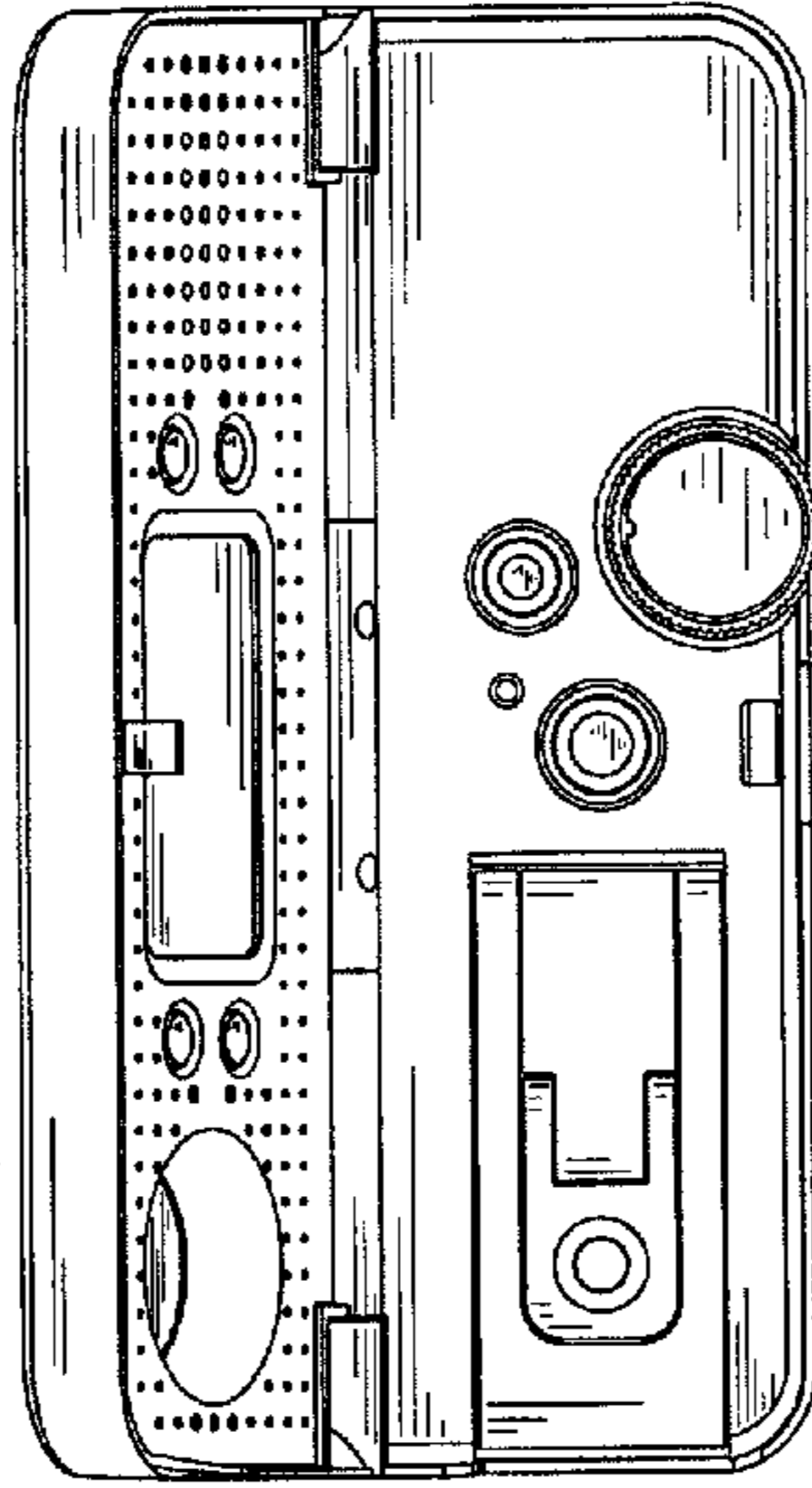


FIG. 10

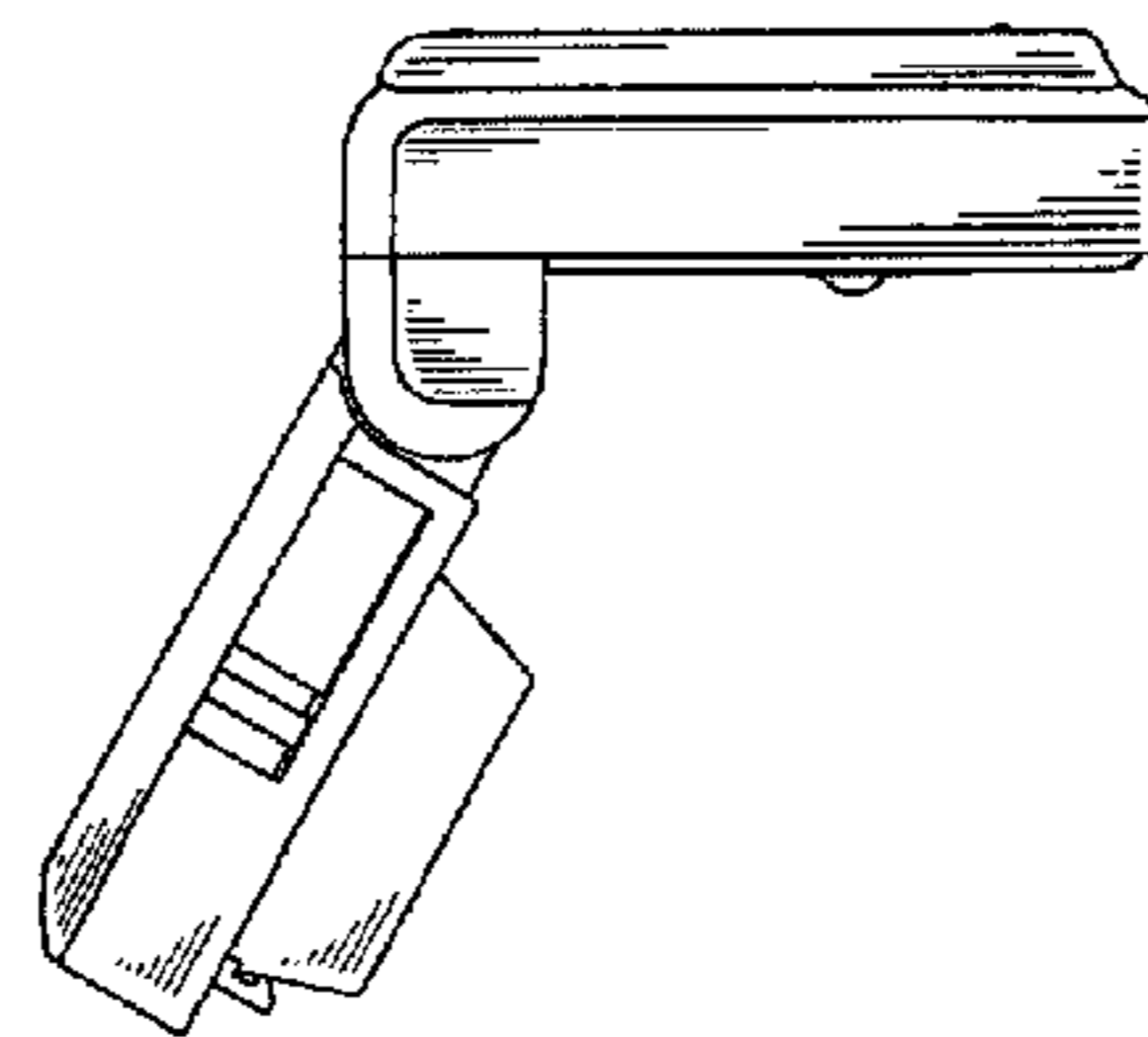


FIG. 9

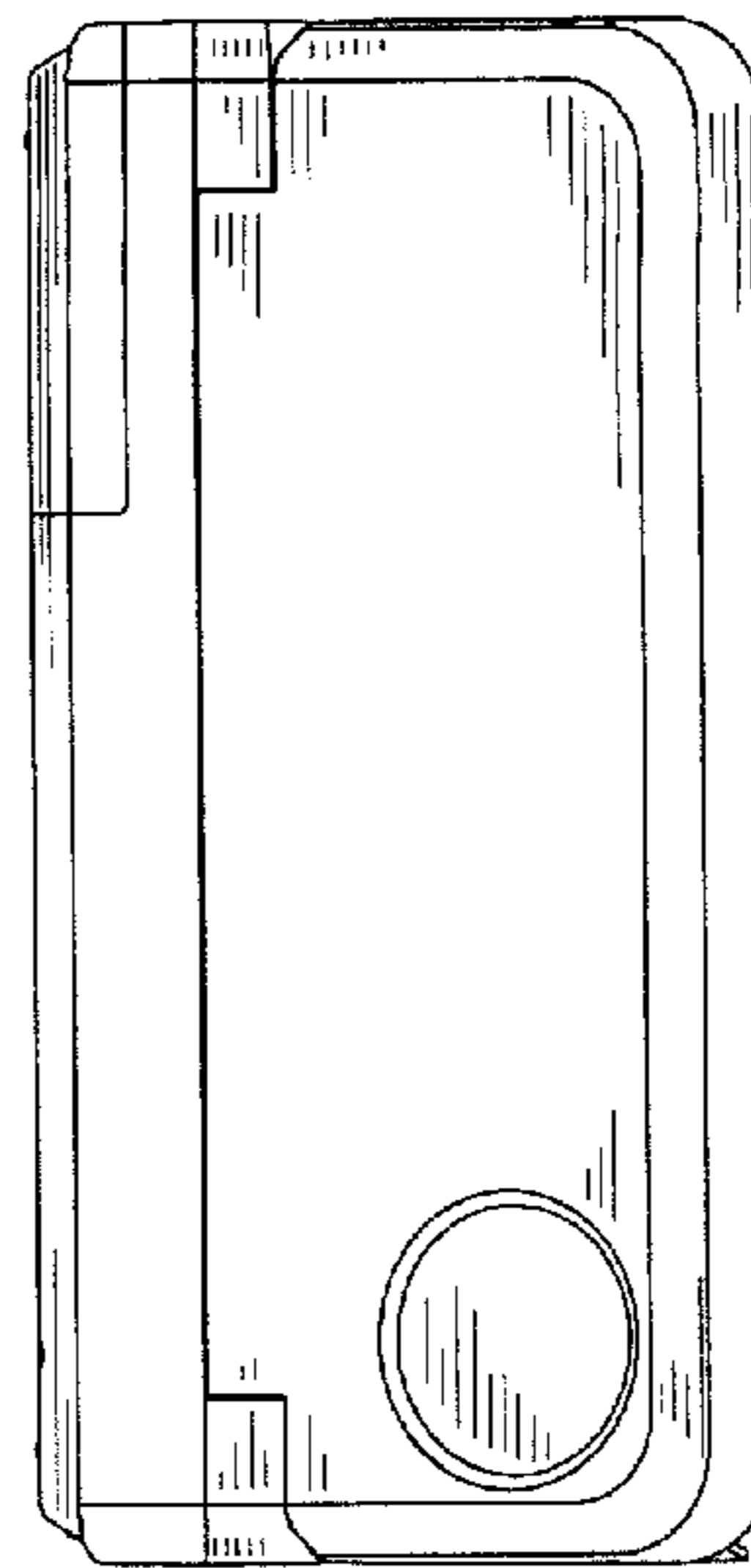


FIG. 12

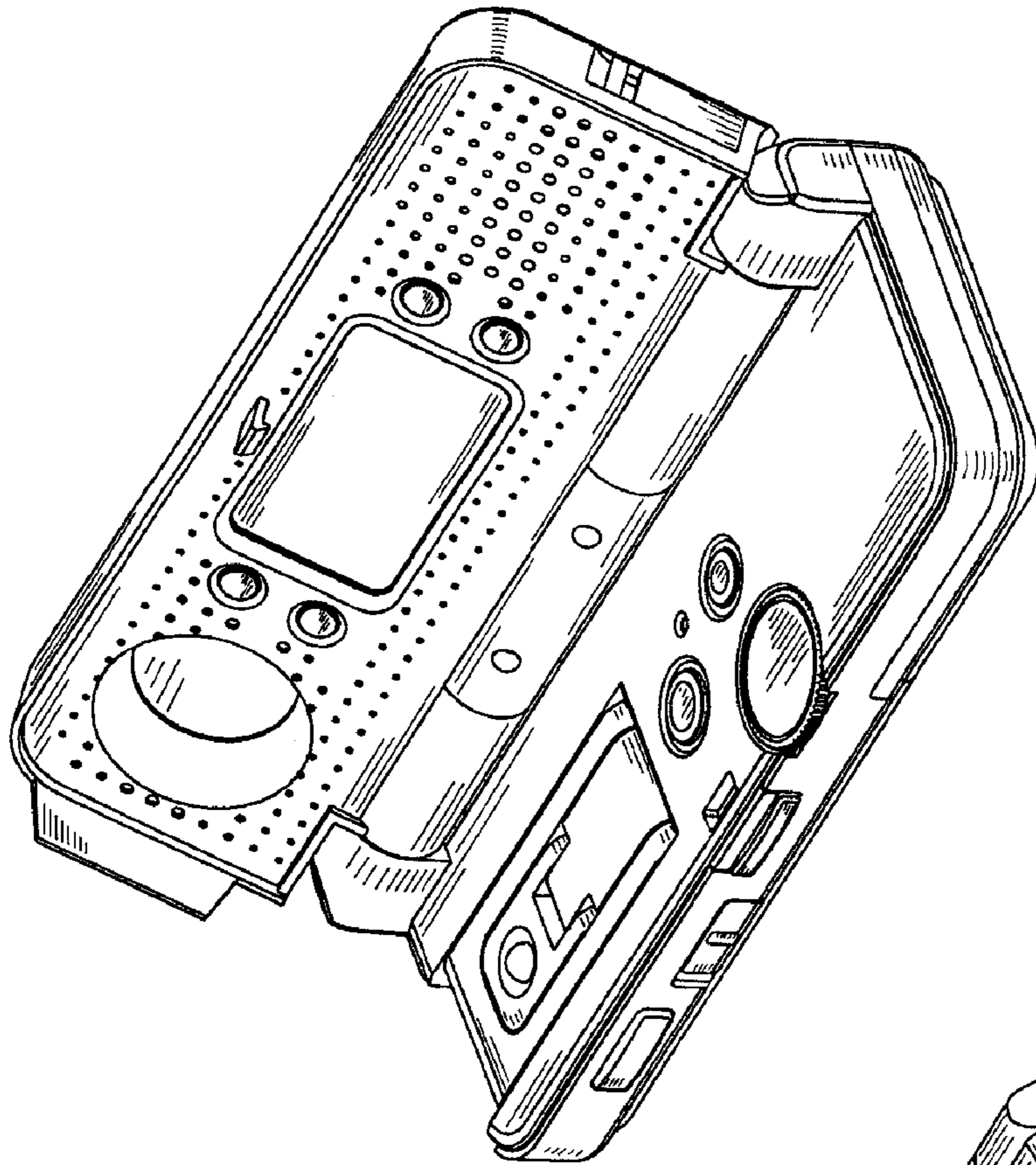


FIG. 14

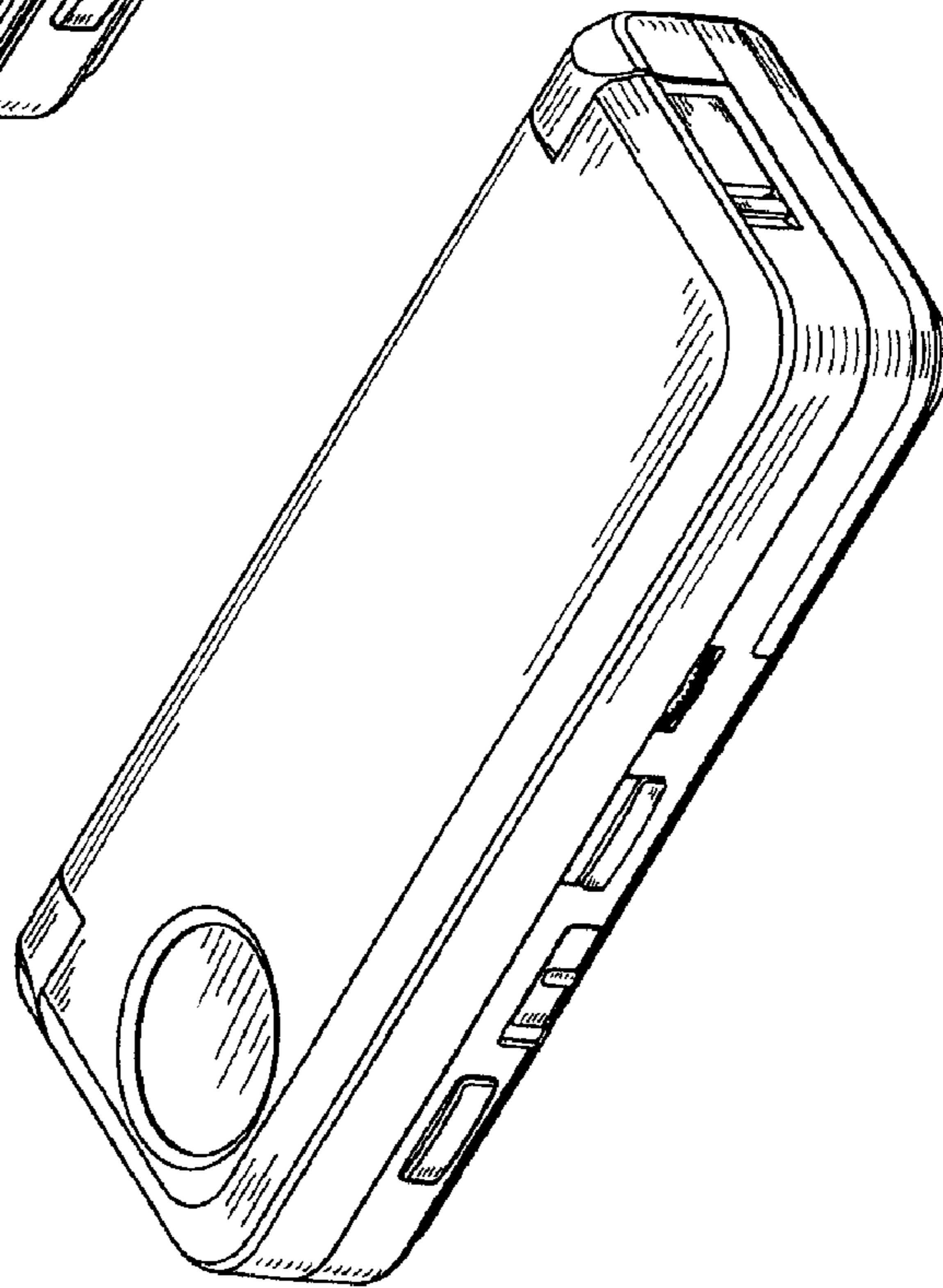


FIG. 13