



US00D553608S

(12) **United States Design Patent**
Williamson et al.

(10) **Patent No.:** **US D553,608 S**

(45) **Date of Patent:** **** Oct. 23, 2007**

(54) **DOCKING SYSTEM AND MIXER FOR PORTABLE MEDIA DEVICES**

(75) Inventors: **Paul Williamson**, Providence, RI (US);
James Corbin, Providence, RI (US);
Gregor Mittersinker, Warwick, RI (US);
Christopher Roman, Wrentham, MA (US);
Michael Leighton, Sun Prairie, WI (US)

(73) Assignee: **Numark Industries LLC**, Cumberland, RI (US)

(**) Term: **14 Years**

(21) Appl. No.: **29/246,269**

(22) Filed: **Mar. 28, 2006**

(51) **LOC (8) Cl.** **14-01**

(52) **U.S. Cl.** **D14/168; D14/127**

(58) **Field of Classification Search** D14/156,
D14/162, 168, 217; 379/202; 381/119, 334
See application file for complete search history.

(56) **References Cited**

U.S. PATENT DOCUMENTS

5,675,557 A	10/1997	Hubinger	
5,959,610 A	9/1999	Silfvast	
D454,552 S *	3/2002	Nakane	D14/168
D500,307 S *	12/2004	Ishizaki	D14/217
D500,493 S *	1/2005	Velazquez	D14/217
D512,706 S *	12/2005	Nakane et al.	D14/168

2003/0002395 A1	1/2003	Chang et al.
2003/0063066 A1	4/2003	Brown
2004/0184326 A1	9/2004	Hagiwara
2005/0055117 A1	3/2005	Holton
2005/0265569 A1	12/2005	Langberg et al.

* cited by examiner

Primary Examiner—Nanda Bondade
(74) *Attorney, Agent, or Firm*—Barlow, Josephs & Holmes, Ltd.

(57) **CLAIM**

The ornamental design for a docking system and mixer for portable media devices, as shown and described.

DESCRIPTION

FIG. 1 is a perspective view of a docking system and mixer for portable media devices showing our new design;

FIG. 2 is a front elevational view thereof;

FIG. 3 is a rear elevational view thereof;

FIG. 4 is a top view thereof;

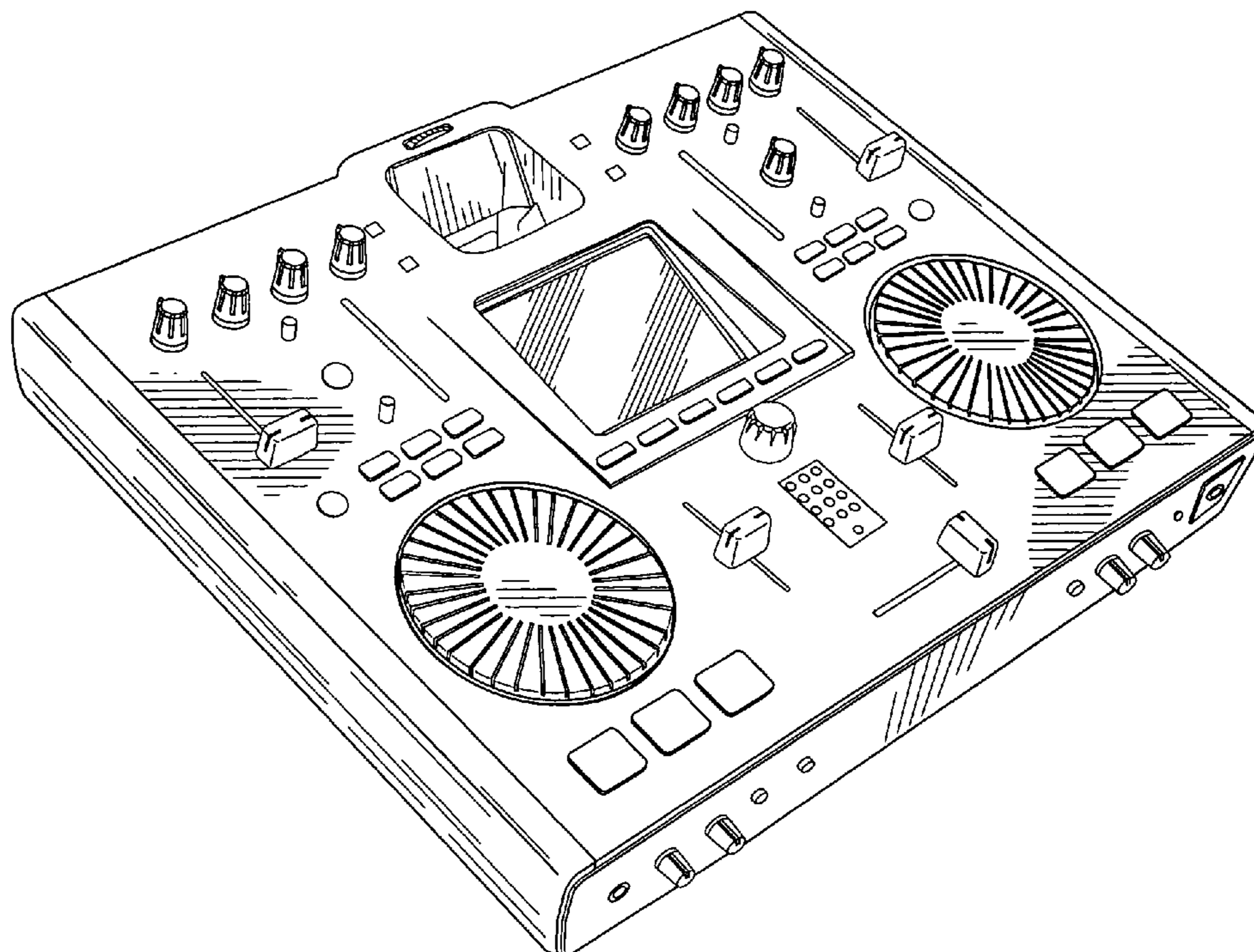
FIG. 5 is a bottom view thereof;

FIG. 6 is a left side elevational view thereof;

FIG. 7 is a right side elevational view thereof; and,

FIG. 8 is a perspective view thereof with a portable media device installed therein. The broken line showing of the portable media device is for illustrative purposes only and forms no part of the claimed design.

1 Claim, 8 Drawing Sheets



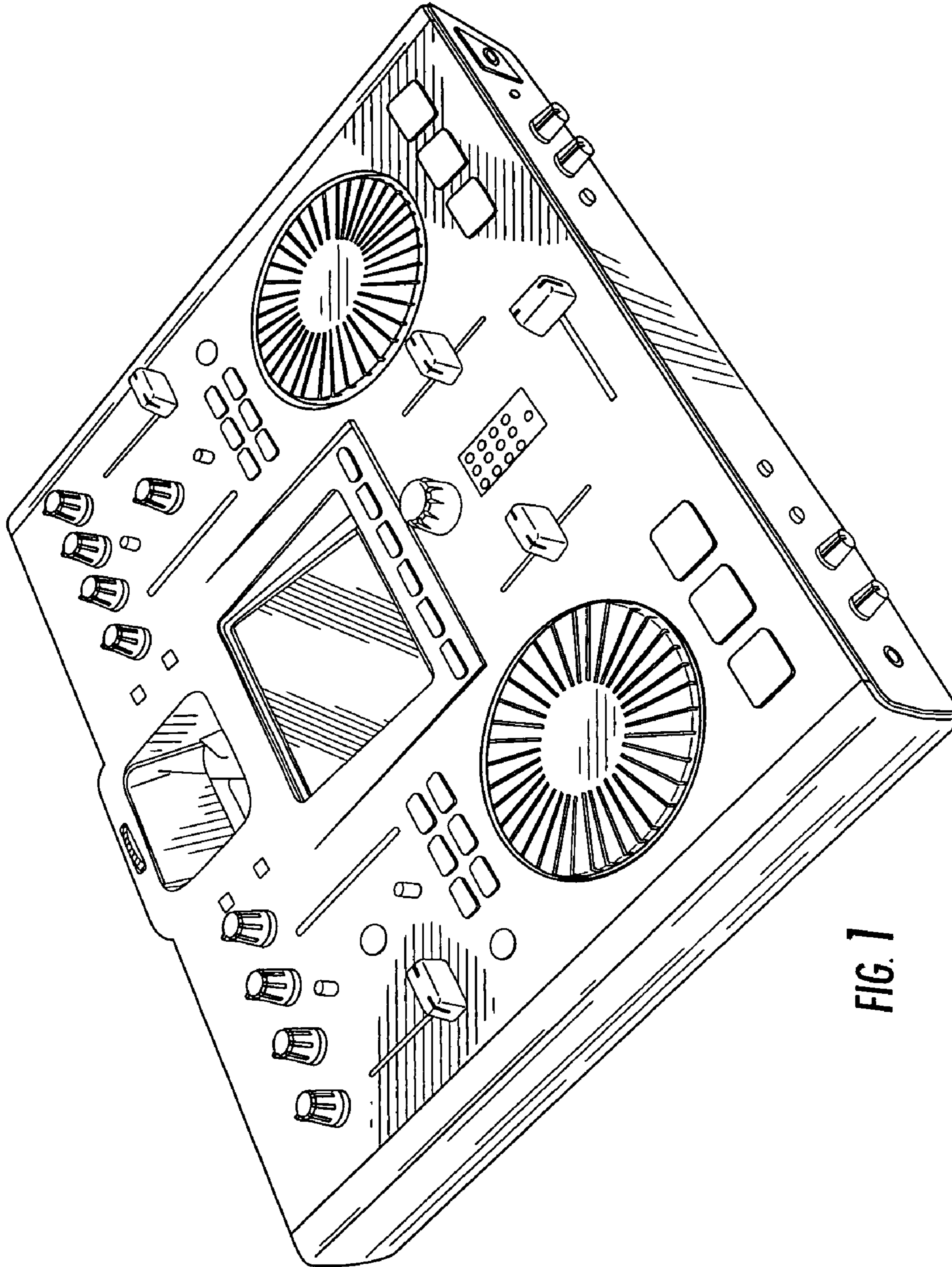


FIG. 1

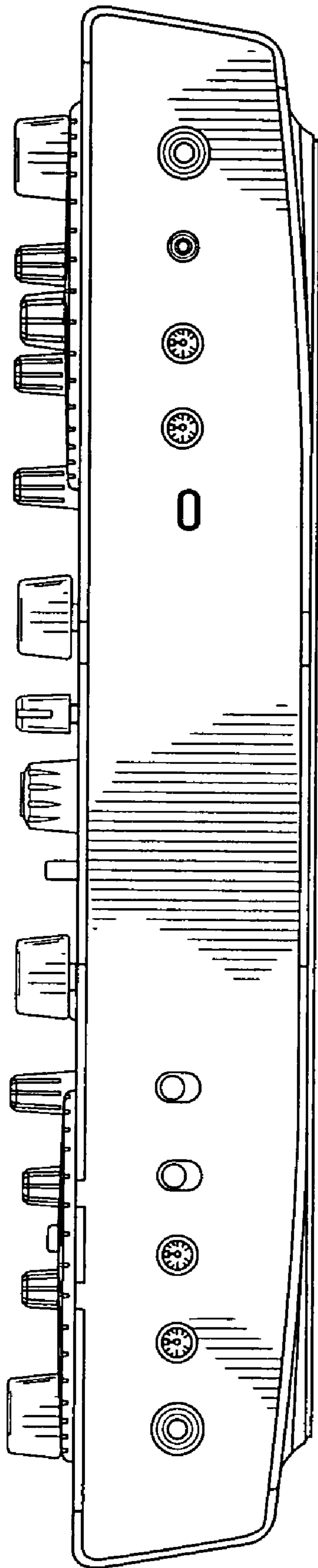


FIG. 2

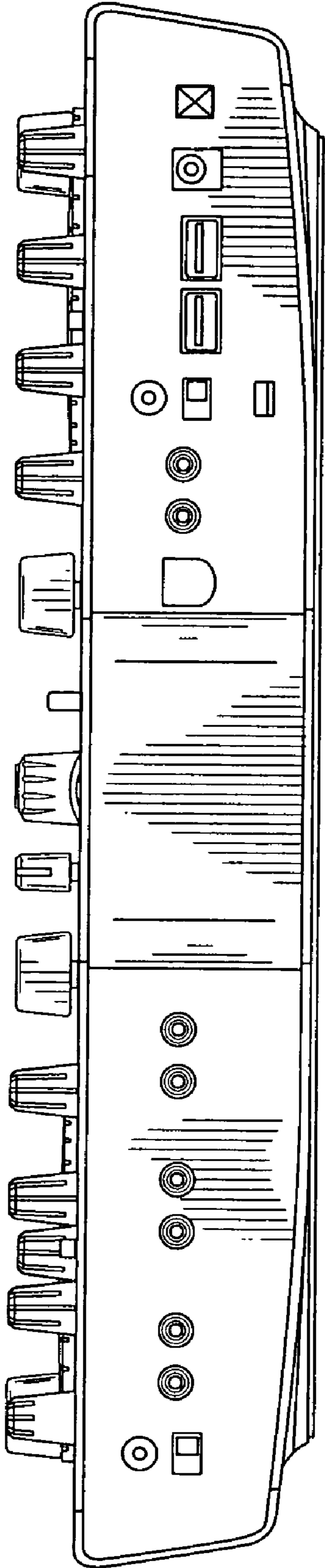


FIG. 3

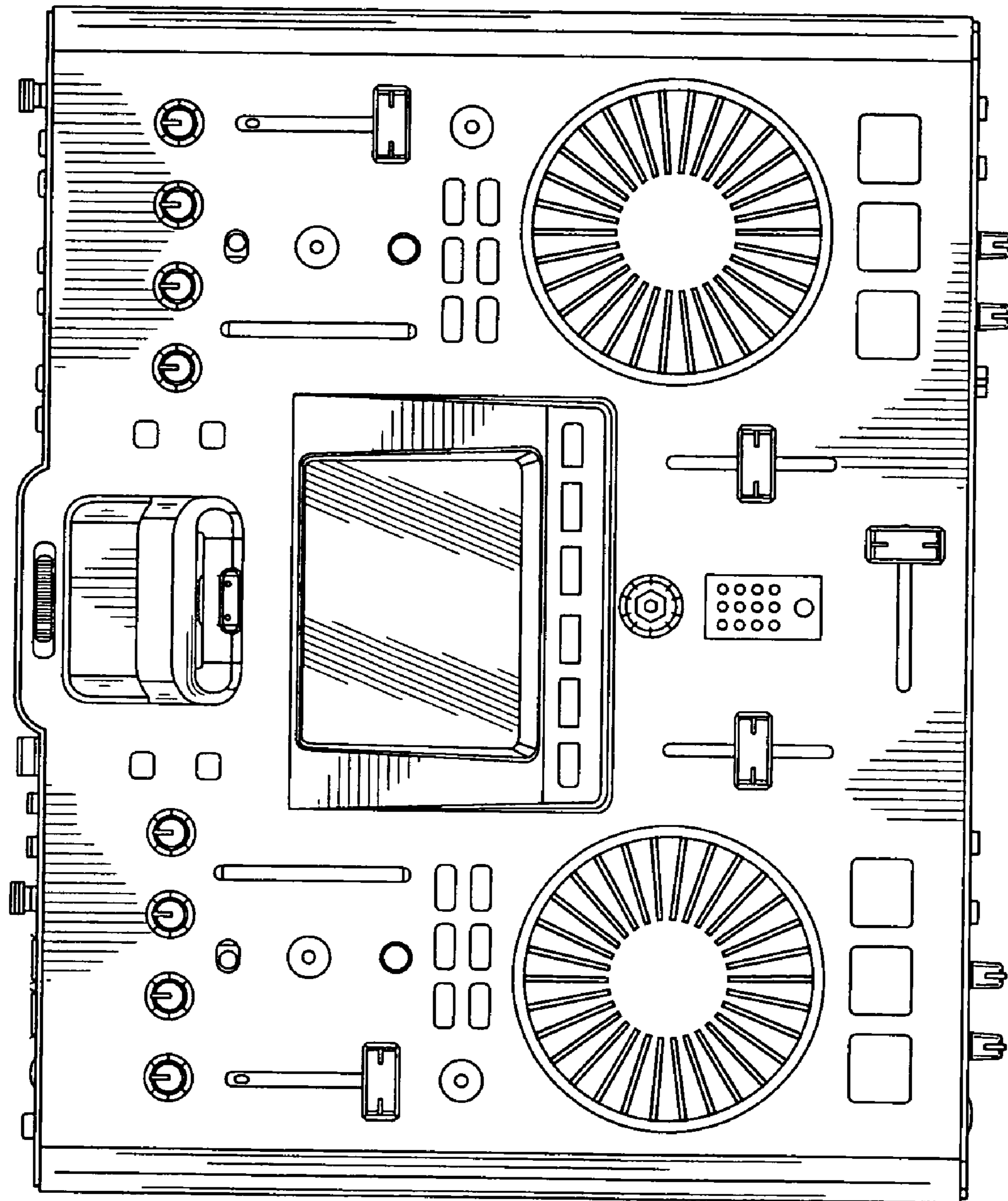


FIG. 4

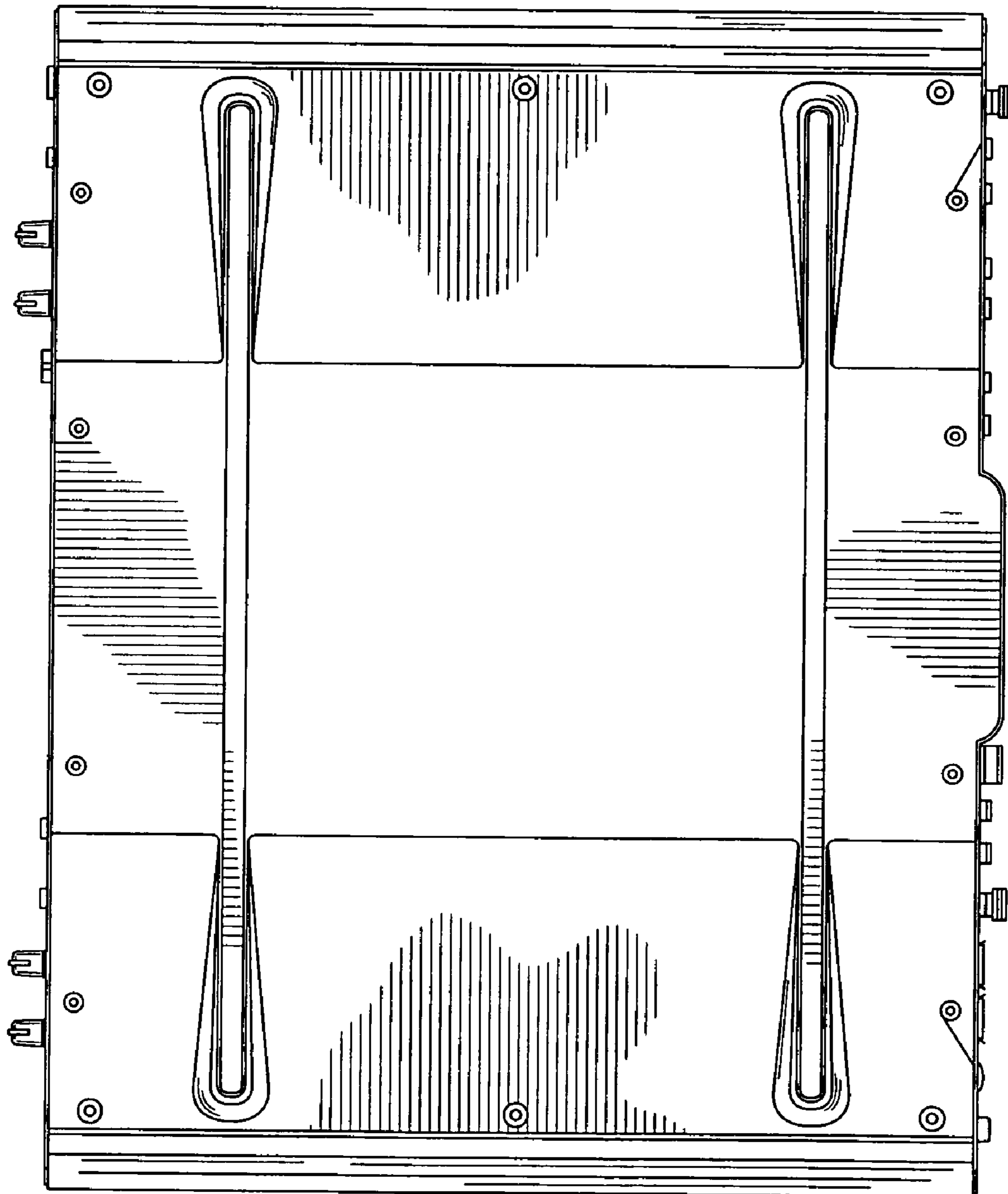


FIG. 5

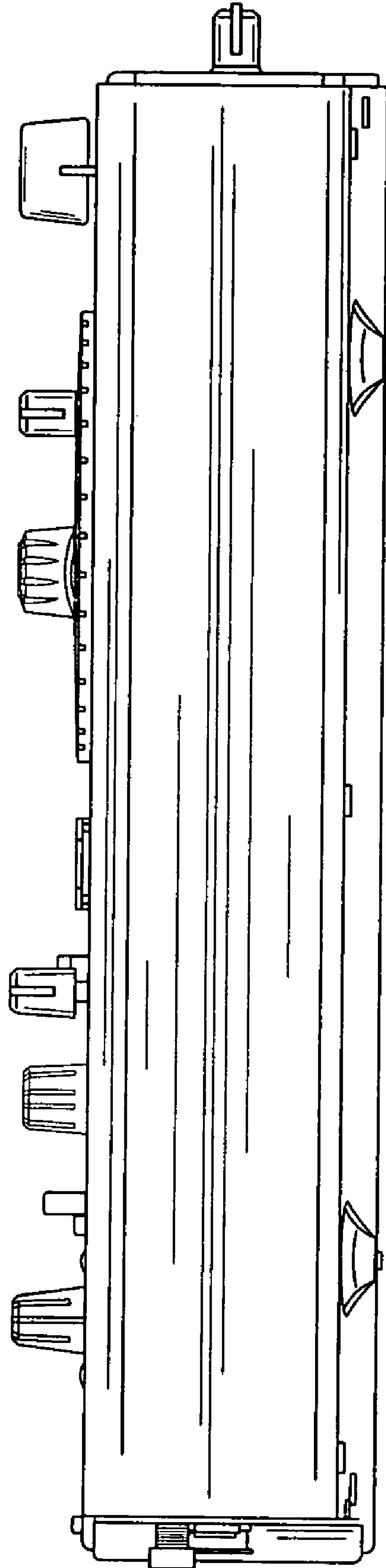


FIG. 6

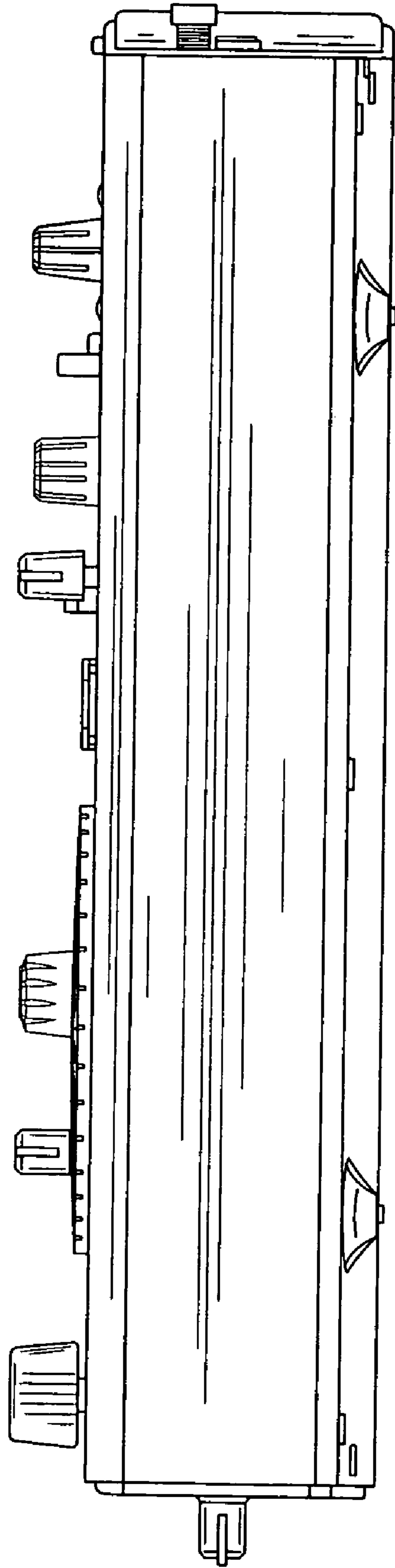


FIG. 7

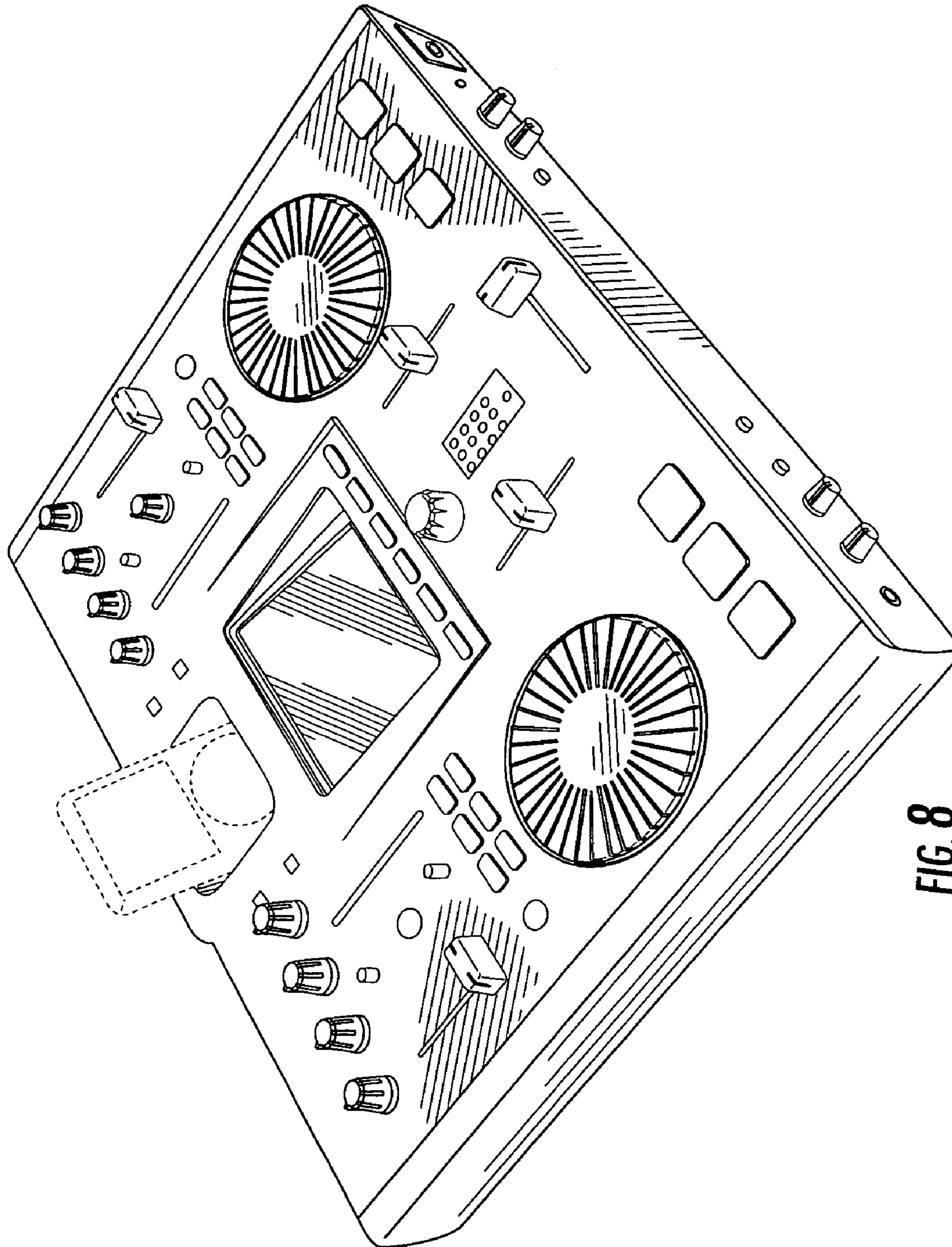


FIG. 8