



US00D553607S

(12) **United States Design Patent**
Miyamoto et al.

(10) **Patent No.:** **US D553,607 S**

(45) **Date of Patent:** **** Oct. 23, 2007**

(54) **INTERPHONE**

D394,656 S *	5/1998	Kato et al.	D14/159
D466,882 S *	12/2002	Matsui et al.	D14/159
D480,702 S *	10/2003	Yoshida et al.	D14/159
D488,158 S *	4/2004	Chen et al.	D14/240

(75) Inventors: **Shouheii Miyamoto**, Nagoya (JP);
Toshio Hotta, Tokai (JP)

(73) Assignee: **Aiphone Co., Ltd.**, Nagoya-Shi (JP)

* cited by examiner

(**) Term: **14 Years**

Primary Examiner—Nanda Bondade

(74) *Attorney, Agent, or Firm*—Burr & Brown

(21) Appl. No.: **29/253,851**

(57) **CLAIM**

(22) Filed: **Feb. 14, 2006**

The ornamental design for an interphone, as shown and described.

(51) **LOC (8) Cl.** **14-01**

(52) **U.S. Cl.** **D14/159; D14/142; D14/146**

(58) **Field of Classification Search** D25/155,
D25/158–159, 162, 217, 240, 299, 142, 146;
D10/104, 106; 358/85–86, 108; 340/310.11,
340/538; 348/156, 164, 14.04, 102.06; 379/53–54,
379/103–105, 171; 455/4–6

See application file for complete search history.

DESCRIPTION

FIG. 1 is front perspective view of an interphone illustrating our new design;

FIG. 2 a front elevational view thereof;

FIG. 3 is a rear elevational view thereof;

FIG. 4 is a left side elevational view thereof;

FIG. 5 is a right side elevational view thereof;

FIG. 6 is a top plan view thereof; and,

FIG. 7 is a bottom plan view thereof.

(56) **References Cited**

U.S. PATENT DOCUMENTS

D283,130 S *	3/1986	Boenning	D10/104
D289,754 S *	5/1987	Koob	D14/159
4,843,461 A *	6/1989	Tatsumi et al.	348/156
D394,653 S *	5/1998	Kato et al.	D14/159

1 Claim, 4 Drawing Sheets

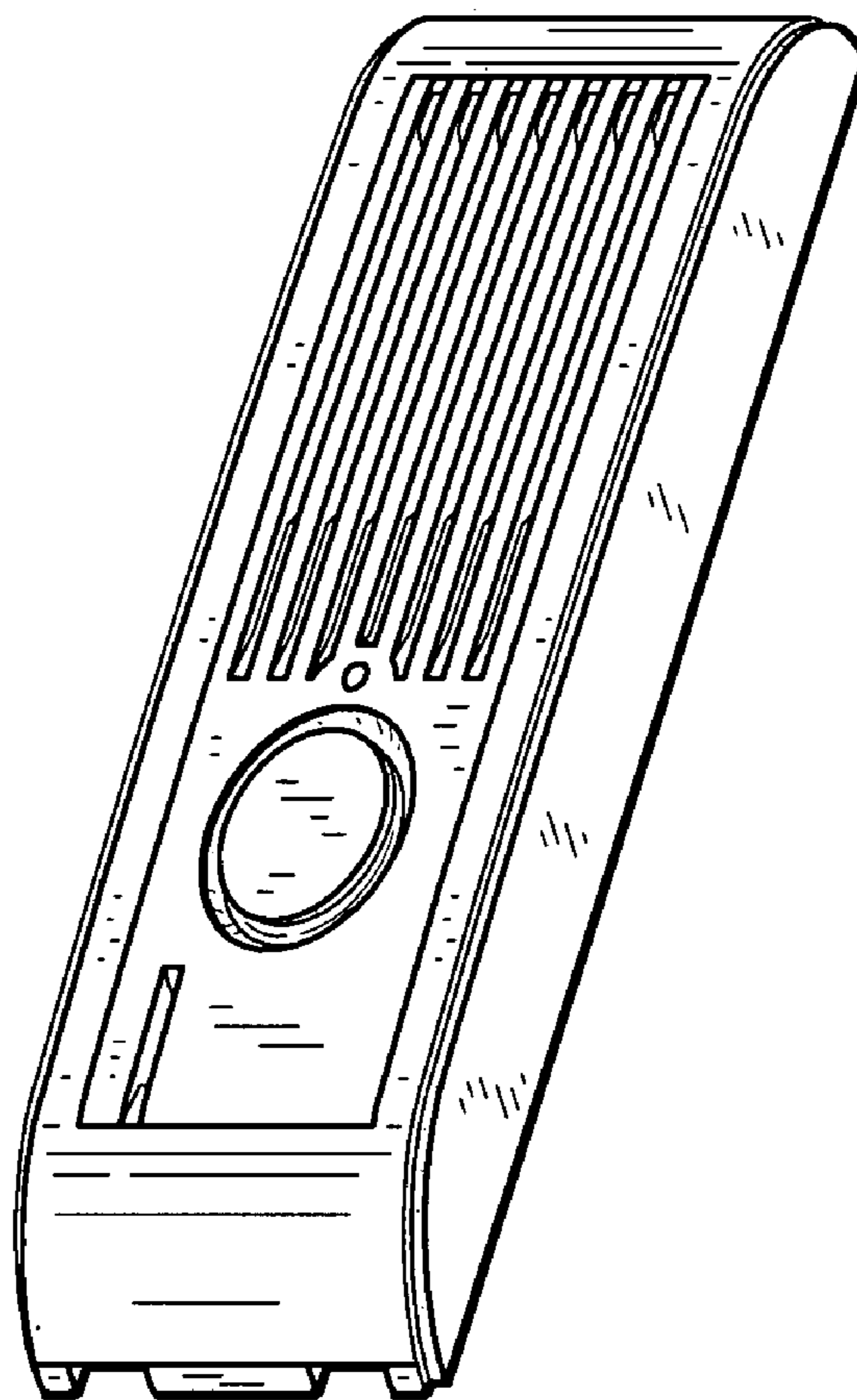


FIG. 1

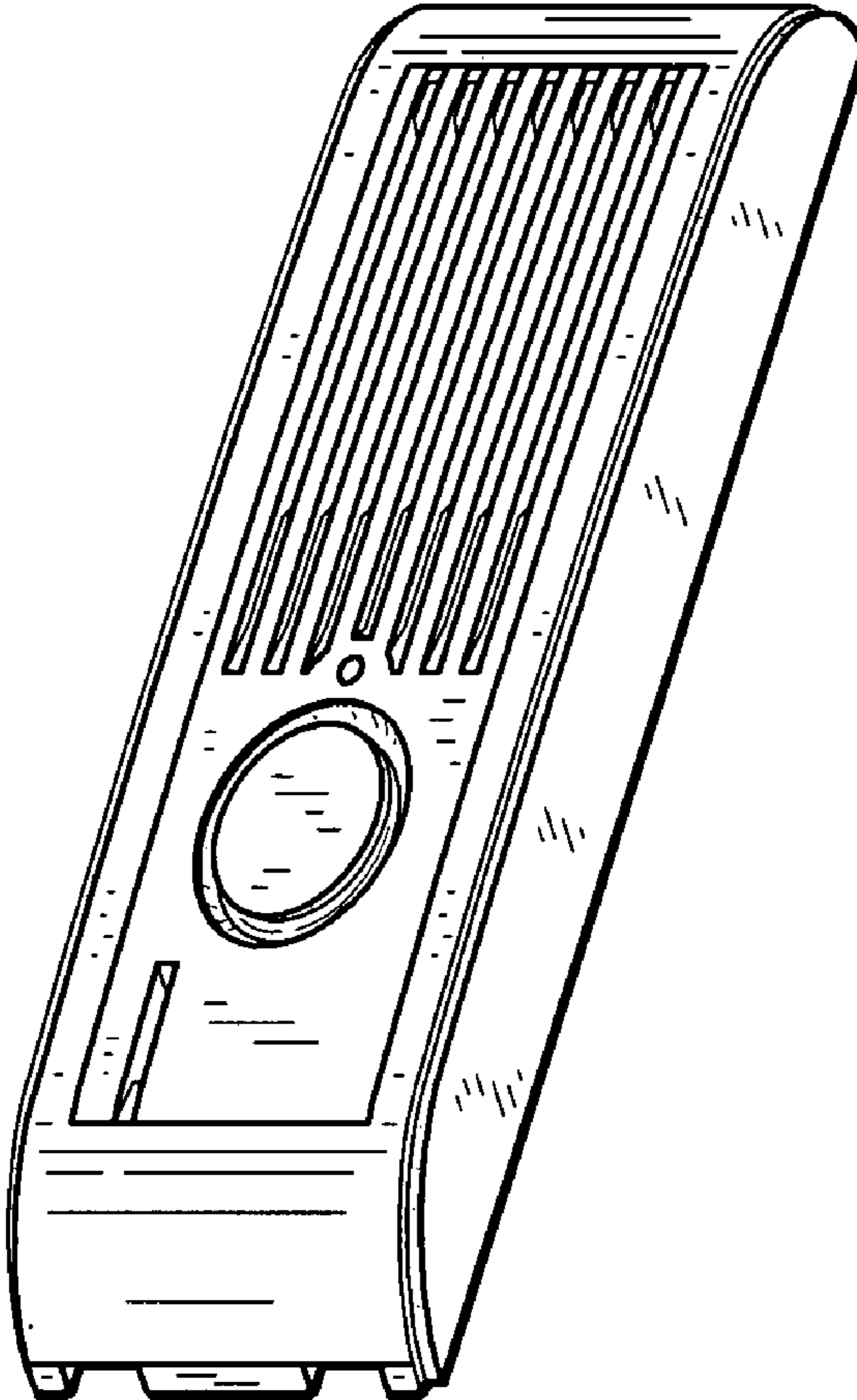


FIG. 2

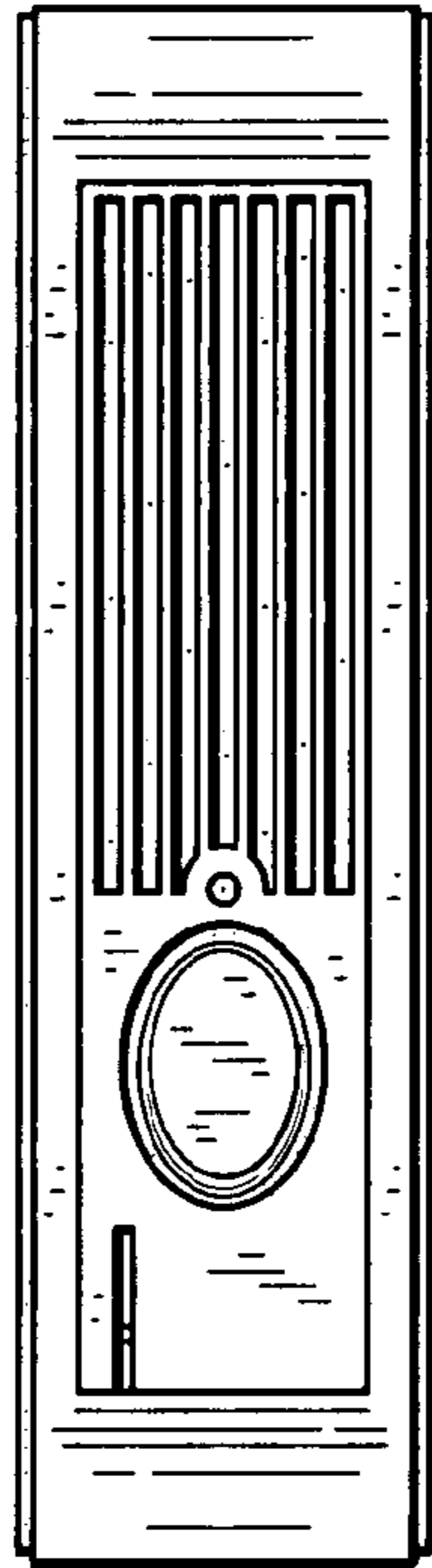


FIG. 3

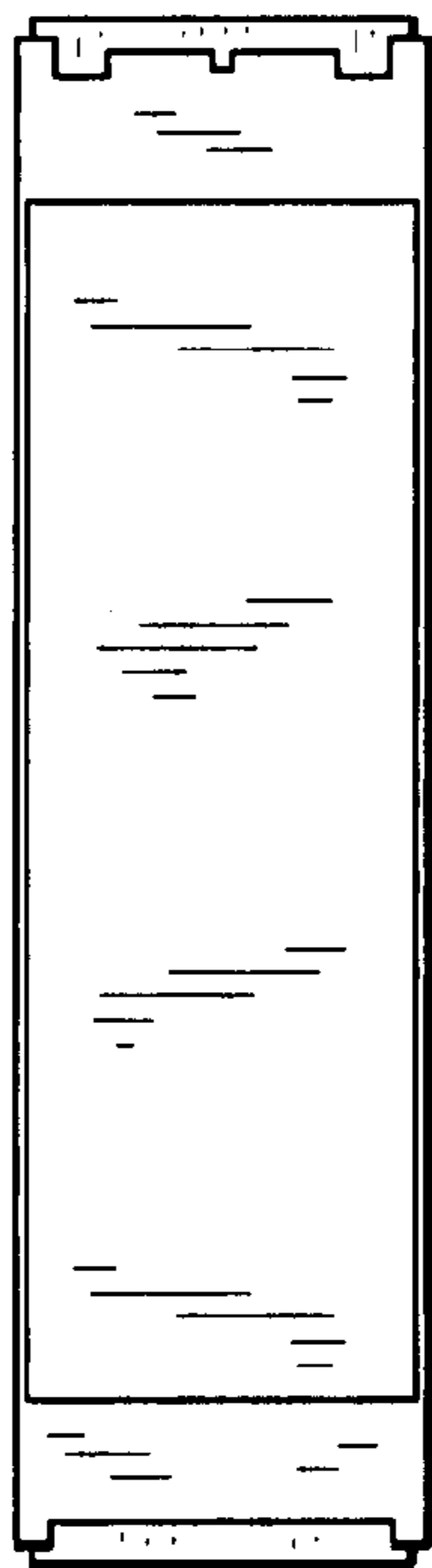


FIG. 4

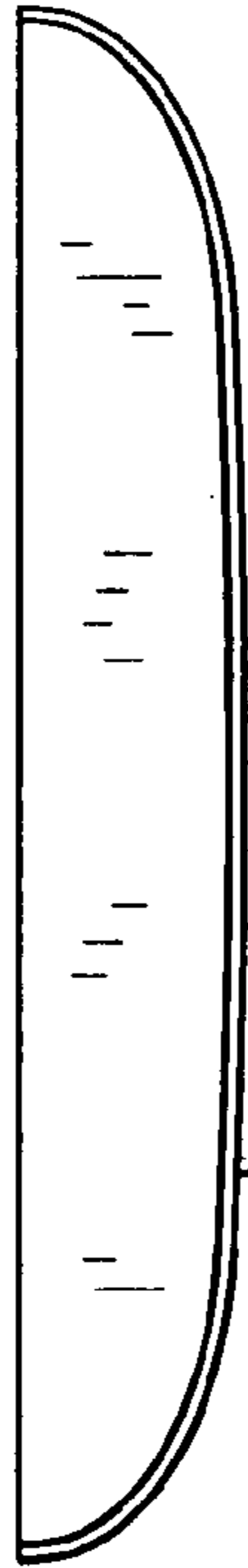


FIG. 5

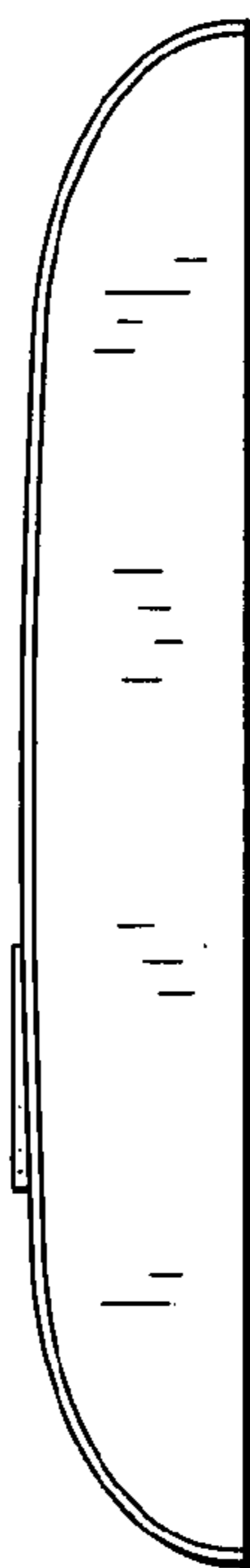


FIG. 6



FIG. 7

