



US00D553606S

(12) **United States Design Patent**
Yamaguchi et al.

(10) **Patent No.:** **US D553,606 S**

(45) **Date of Patent:** **** Oct. 23, 2007**

(54) **DISC PLAYER**

D446,203 S * 8/2001 Arpe D14/156

D511,764 S * 11/2005 Tokioka D14/167

(75) Inventors: **Yoshifumi Yamaguchi**, Tokyo (JP);
Katsuyuki Kaneko, Tokyo (JP);
Junichi Ohshima, Zushi (JP)

(73) Assignee: **Victor Company of Japan Limited**,
Yokohama (JP)

(**) Term: **14 Years**

(21) Appl. No.: **29/261,323**

(22) Filed: **Jun. 13, 2006**

(30) **Foreign Application Priority Data**

Dec. 15, 2005 (JP) D2005-036925

(51) **LOC (8) Cl.** **14-01**

(52) **U.S. Cl.** **D14/156**

(58) **Field of Classification Search** D14/135-138,
D14/156-157, 160-165, 167-168, 496, 445;
360/99.02, 99.07; 369/75.11, 75.21, 77.21,
369/77.11; 720/612, 619, 647, 655; 455/344,
455/347-351

See application file for complete search history.

(56) **References Cited**

U.S. PATENT DOCUMENTS

D438,856 S * 3/2001 Uehara D14/136

* cited by examiner

Primary Examiner—Nanda Bondade

(74) *Attorney, Agent, or Firm*—The Nath Law Group; Jerald
L. Meyer; Derek Richmond

(57) **CLAIM**

The ornamental design for a disc player, as shown and
described.

DESCRIPTION

FIG. 1 is a perspective view of a disc player;

FIG. 2 is a front view thereof;

FIG. 3 is a rear view thereof;

FIG. 4 is a top plan view thereof;

FIG. 5 is bottom plan view thereof;

FIG. 6 is a right side view thereof; and,

FIG. 7 is a left side view thereof.

1 Claim, 4 Drawing Sheets

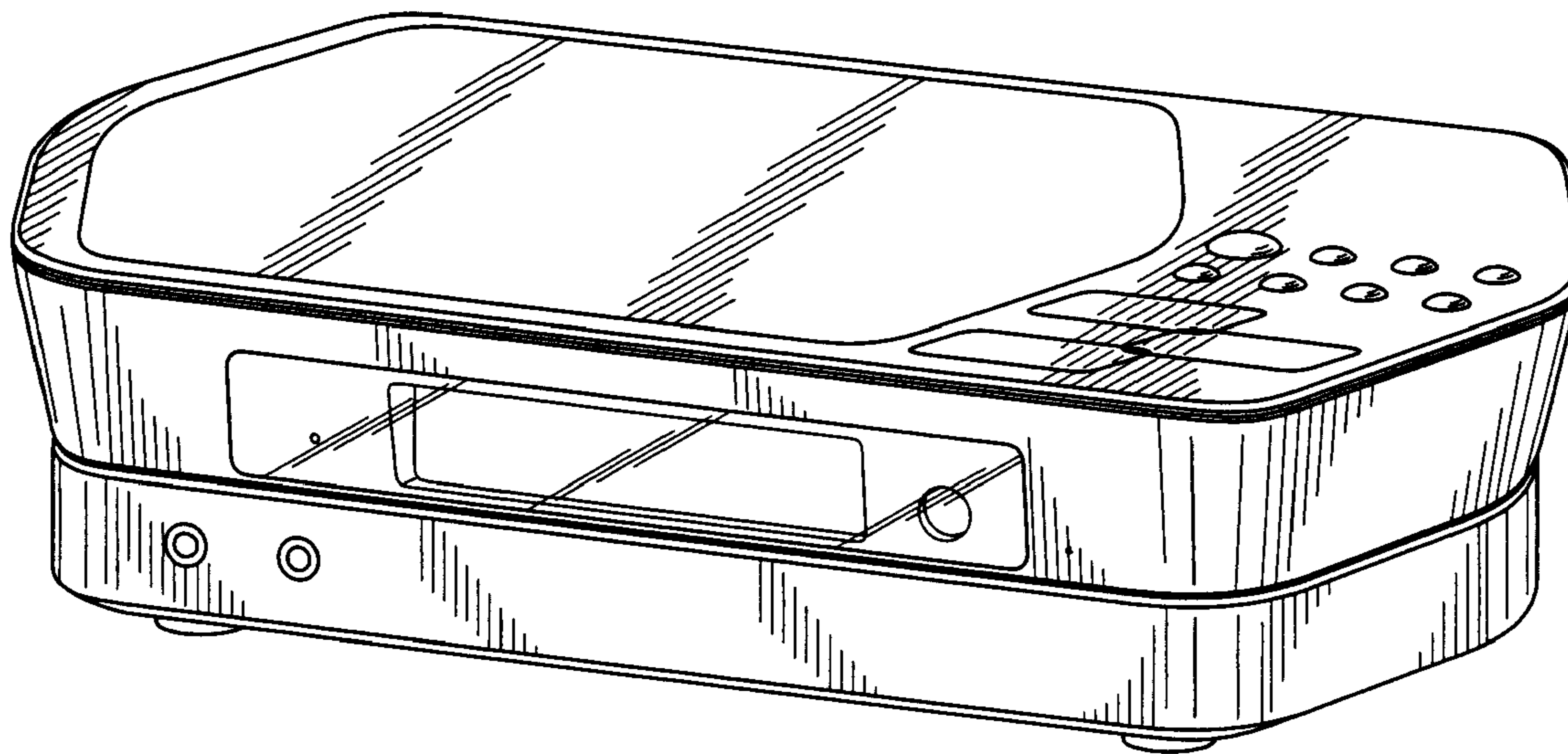


Fig.1

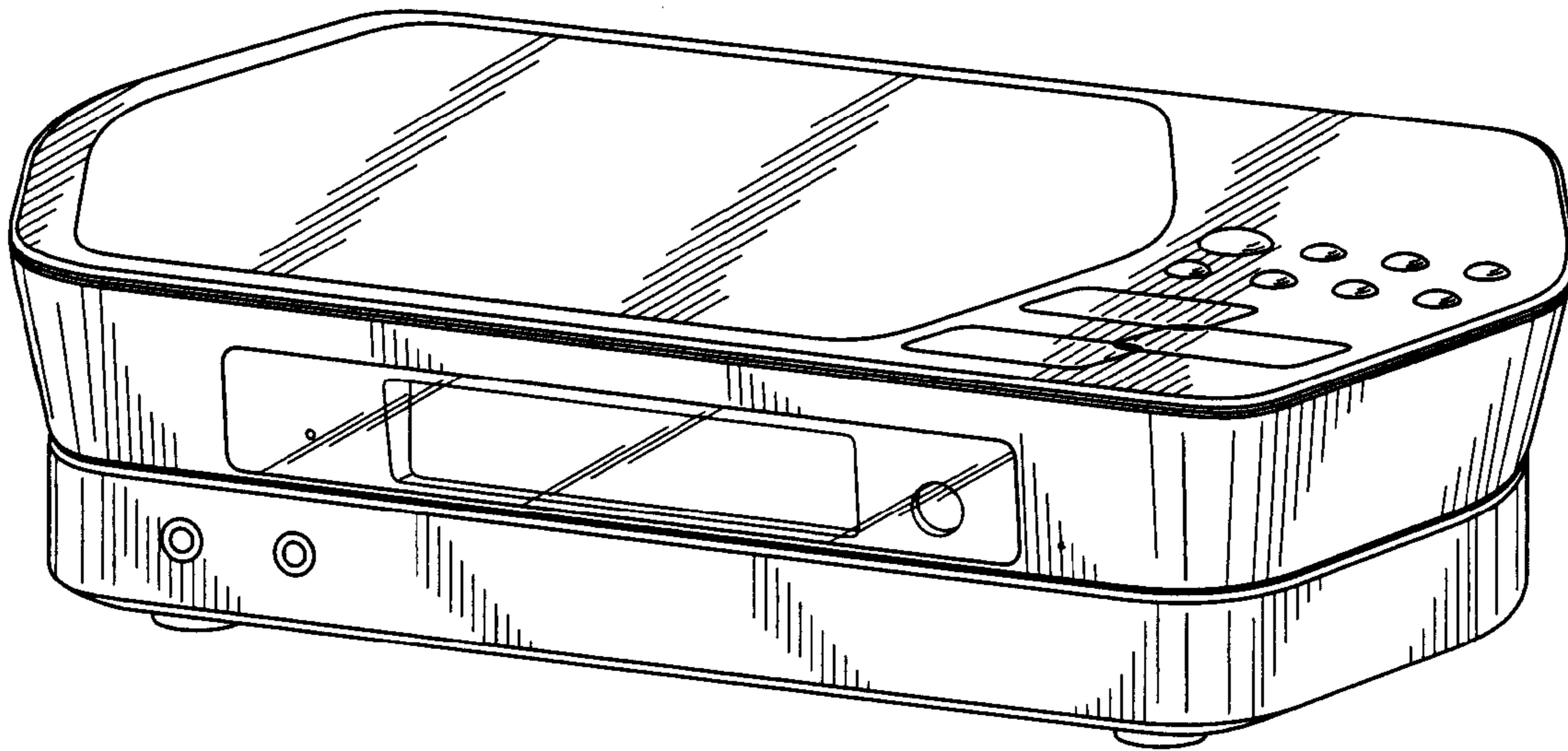


Fig.2

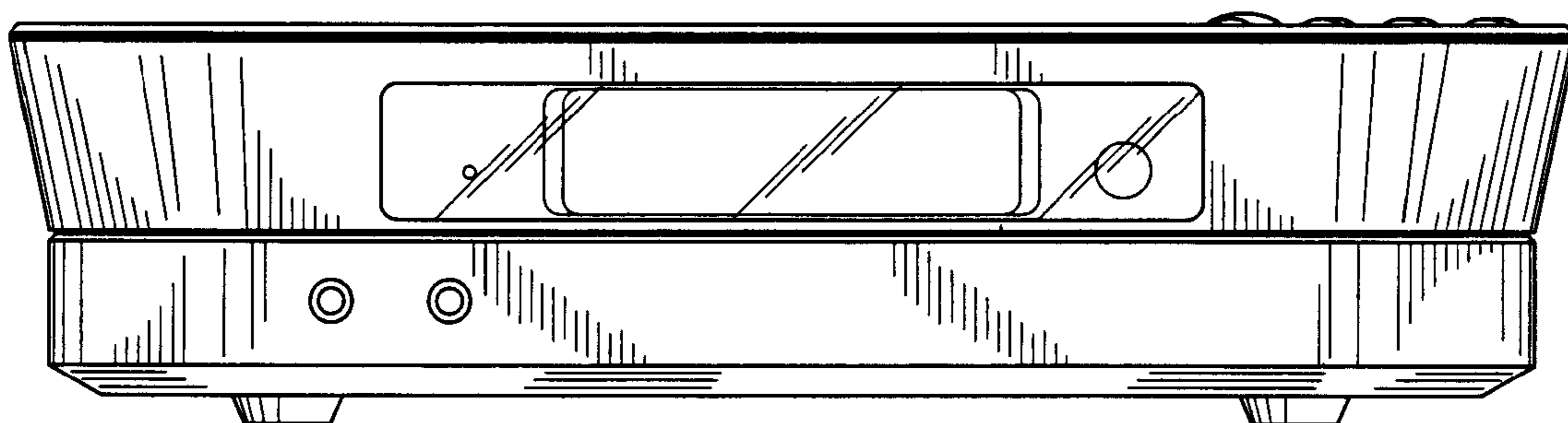


Fig.3

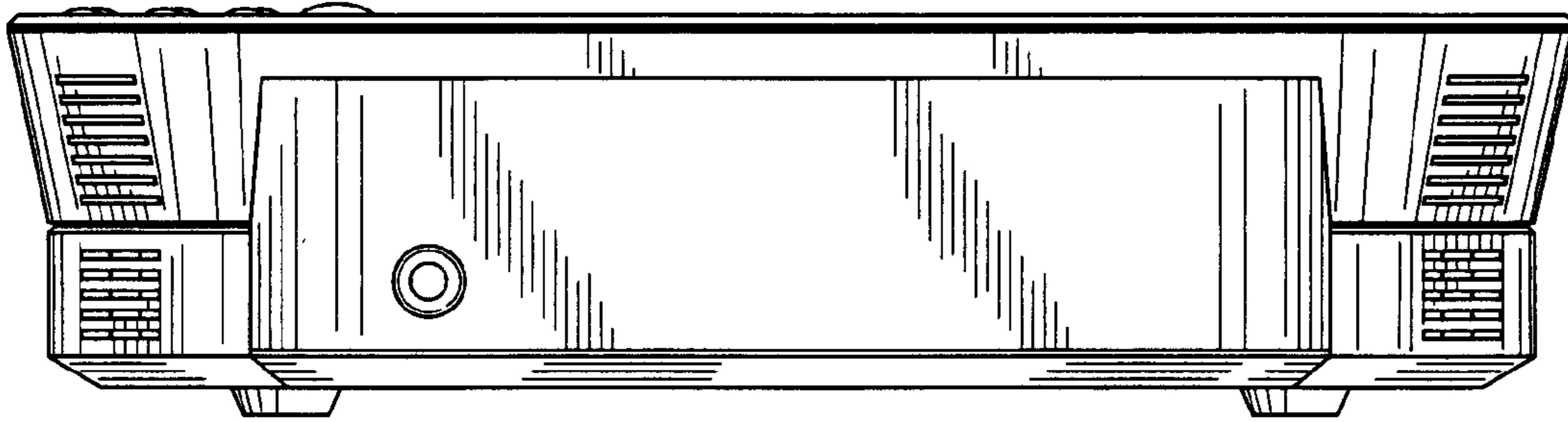


Fig.4

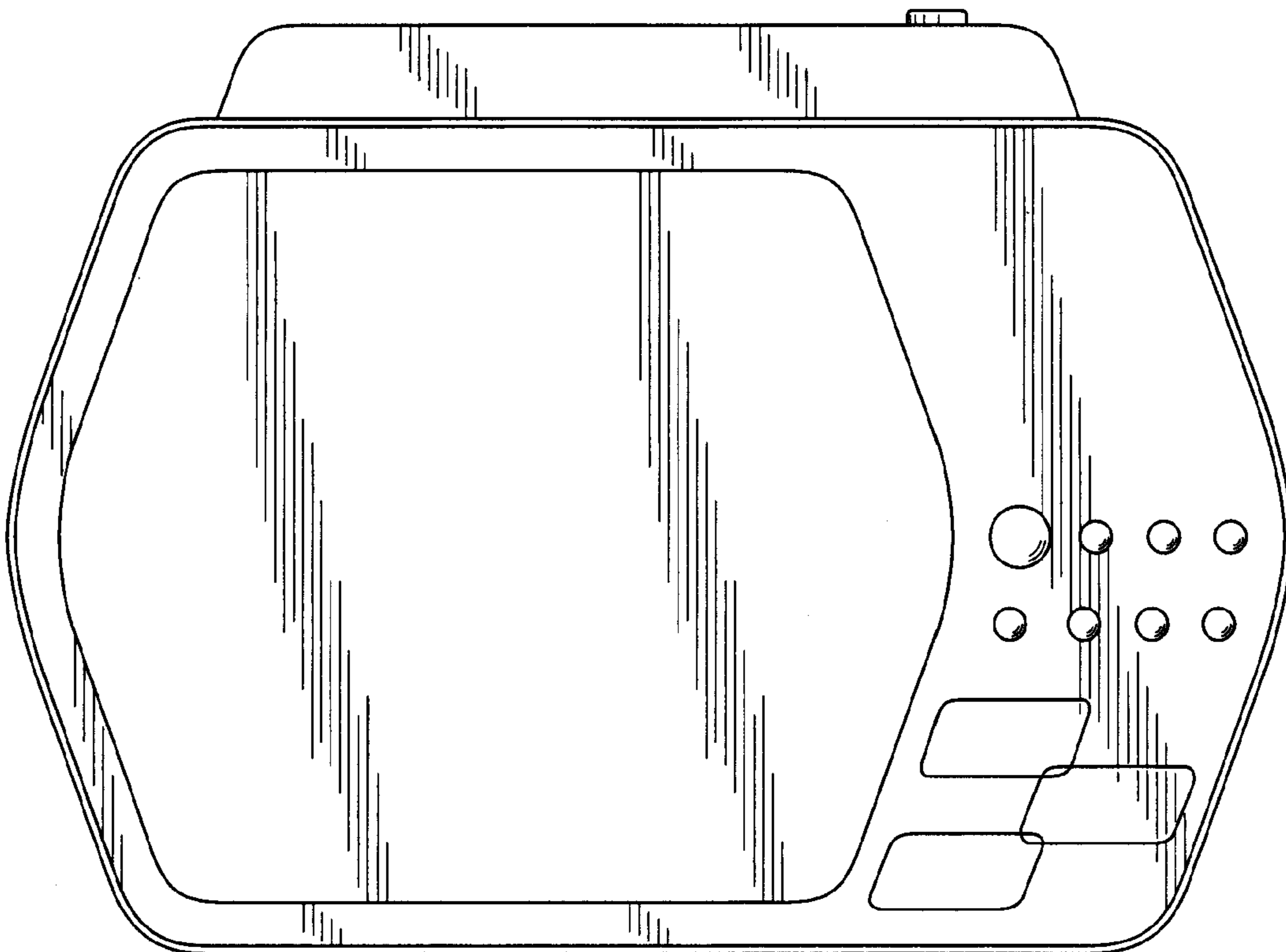


Fig.5

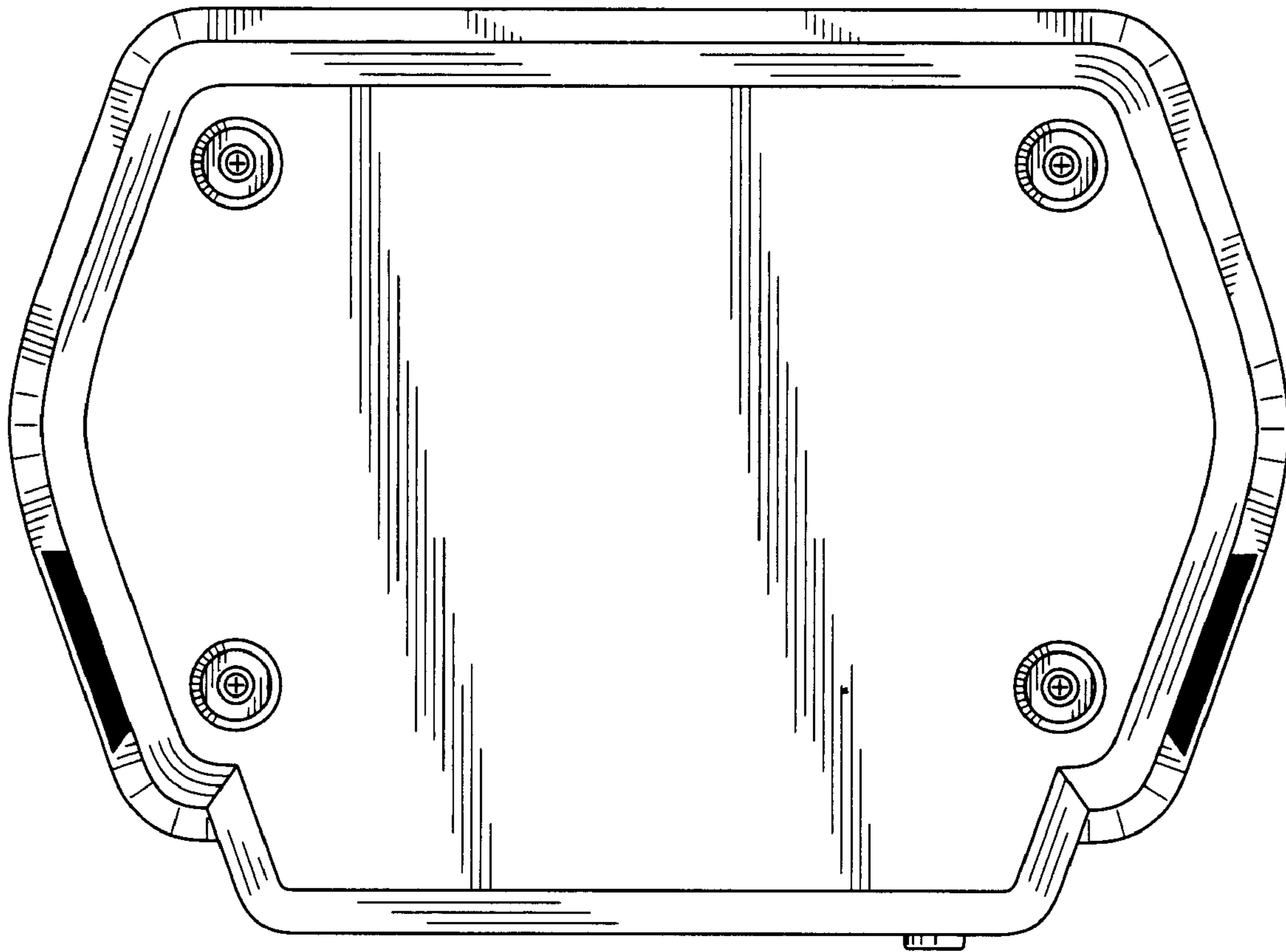


Fig.6

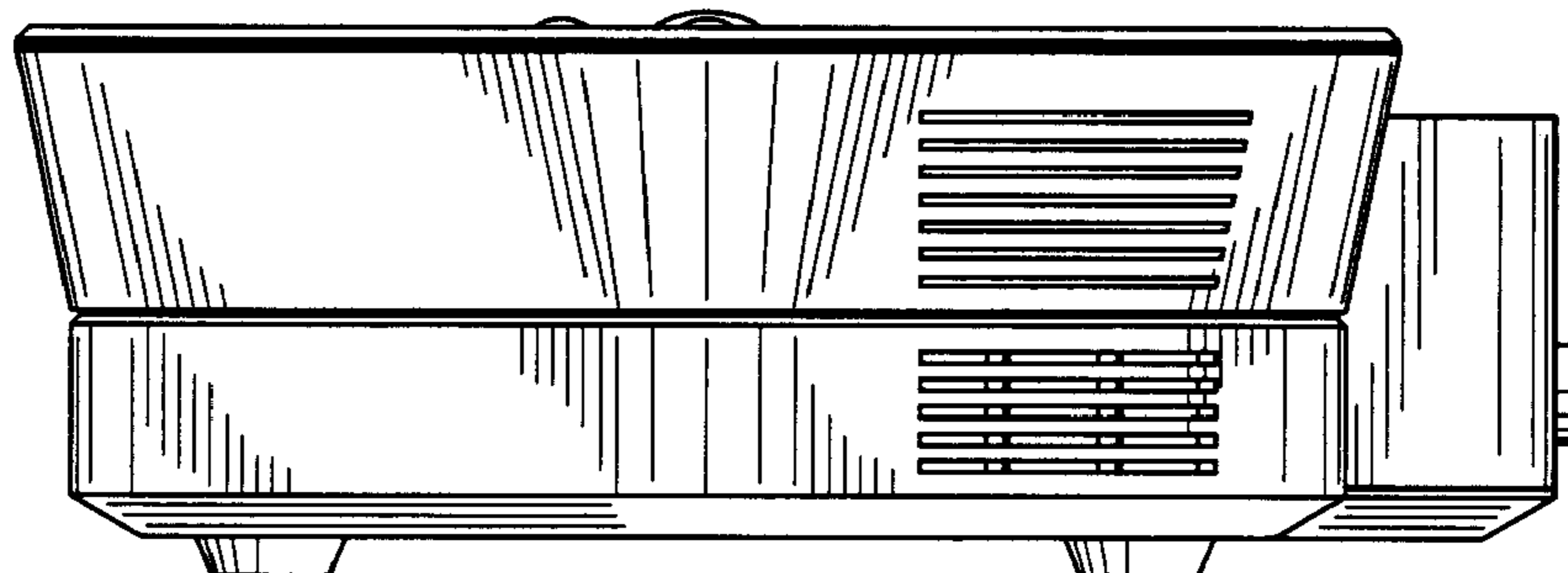


Fig.7

