



US00D553597S

(12) **United States Design Patent**  
**Hsu**

(10) **Patent No.:** **US D553,597 S**

(45) **Date of Patent:** **\*\* Oct. 23, 2007**

(54) **MOBILE COMMUNICATIONS DEVICE**

(75) Inventor: **Elliott Hsu**, Raleigh, NC (US)

(73) Assignee: **Sony Ericsson Mobile Communications AB**, Lund (SE)

(\*\*) Term: **14 Years**

(21) Appl. No.: **29/251,123**

(22) Filed: **Jan. 4, 2006**

(51) **LOC (8) Cl.** ..... **14-03**

(52) **U.S. Cl.** ..... **D14/138**

(58) **Field of Classification Search** ..... D14/496,  
D14/138, 341-347; 455/575.3, 575.1; D21/517  
See application file for complete search history.

(56) **References Cited**

**U.S. PATENT DOCUMENTS**

D485,815 S	1/2004	Edoff	
D490,792 S *	6/2004	Lee	D14/138
D495,673 S	9/2004	Wada	
D496,014 S *	9/2004	Lodato et al.	D14/138
D496,016 S *	9/2004	Hoo	D14/138

(Continued)

**FOREIGN PATENT DOCUMENTS**

JP	805597	*	1/1991
JP	D1247314		8/2005
TW	D108133		12/2005
TW	D108334		12/2005
TW	D113184		10/2006
WO	DM/064560	*	10/2003

**OTHER PUBLICATIONS**

Nokia 2760 telephone, announced May 2004, [online], [retrieved on May 9, 2007]. Retrieved from Internet, <URL: <http://www.gsmarena.com>>.\*

(Continued)

*Primary Examiner*—Jeffrey Asch

(74) *Attorney, Agent, or Firm*—Renner, Otto, Boisselle & Sklar, LLP

(57) **CLAIM**

The ornamental design for a mobile communications device, as shown and described.

**DESCRIPTION**

FIG. 1 is a front right perspective view of a mobile communications device in a closed position showing my design;

FIG. 2 is a front view thereof;

FIG. 3 is a right side view thereof;

FIG. 4 is a left side view thereof;

FIG. 5 is a rear view thereof;

FIG. 6 is a top view thereof;

FIG. 7 is a bottom view thereof;

FIG. 8 is a front right perspective view of the mobile communications device of FIG. 1 in an open position;

FIG. 9 is a rear left perspective view thereof;

FIG. 10 is a front view thereof;

FIG. 11 is a right side view thereof;

FIG. 12 is a left side view thereof;

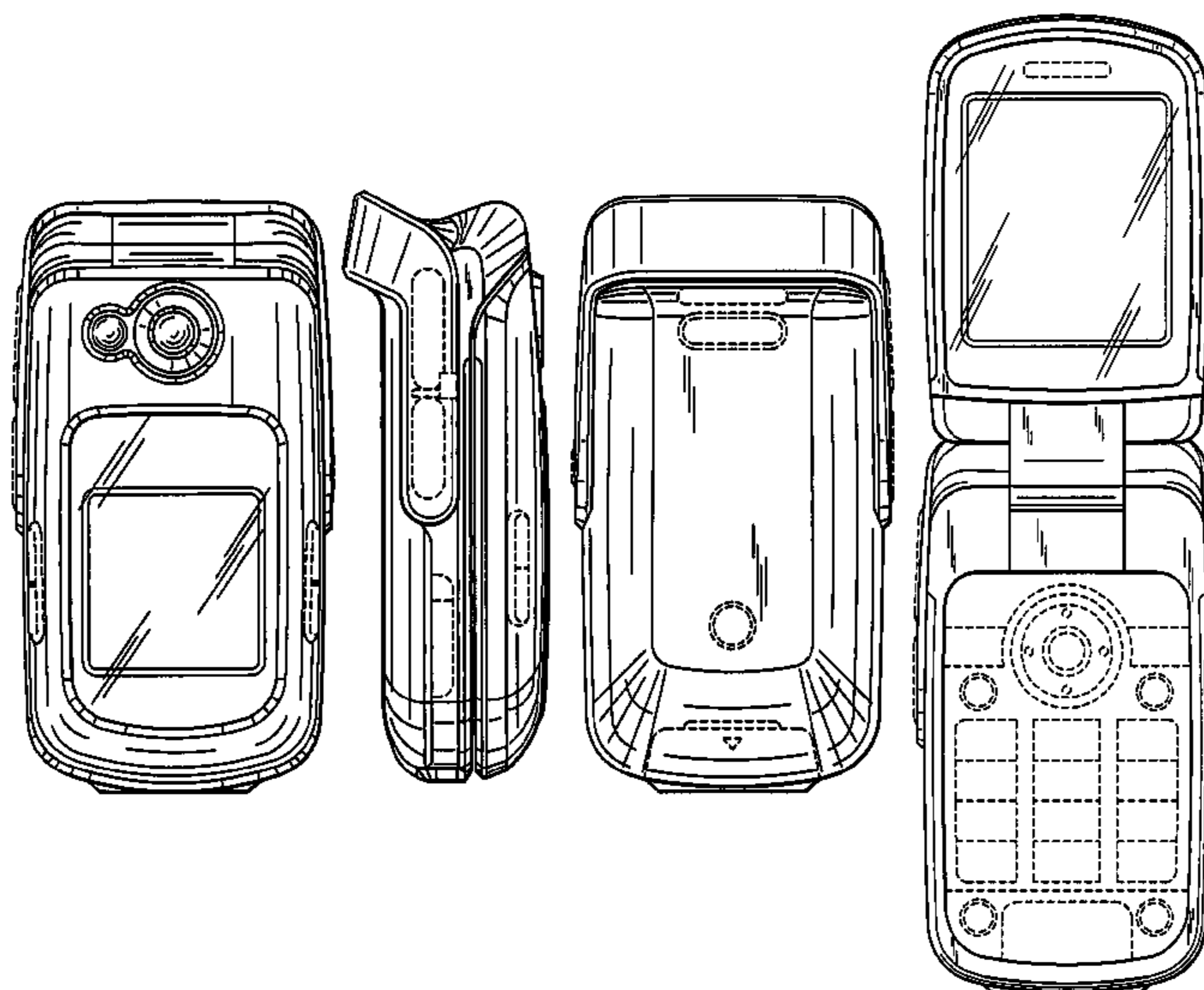
FIG. 13 is a rear view thereof;

FIG. 14 is a top view thereof; and,

FIG. 15 is a bottom view thereof.

The broken lines shown in the drawing that are immediately adjacent to the shaded areas and define unshaded regions represent the bounds of the claimed design, while all other broken lines are directed to environment and are for illustrative purposes only; the broken lines form no part of the claimed design. Unshaded regions defined by encompassing broken or solid lines are not part of the claimed design.

**1 Claim, 5 Drawing Sheets**



U.S. PATENT DOCUMENTS

D501,455 S	2/2005	Hunt et al.	
D501,457 S *	2/2005	Lee et al. ....	D14/138
D502,457 S *	3/2005	Eigenstetter et al. ....	D14/138
D504,120 S	4/2005	Edoff	
D504,670 S *	5/2005	Lodato et al. ....	D14/138
D507,553 S *	7/2005	Gotou et al. ....	D14/138
D508,036 S	8/2005	Wada	
D509,816 S *	9/2005	Kim et al. ....	D14/138
D513,505 S *	1/2006	Lee .....	D14/138
D518,012 S *	3/2006	Fuxen .....	D14/138
D520,981 S	5/2006	Lee et al.	
D526,987 S *	8/2006	Lee et al. ....	D14/138
D533,160 S *	12/2006	Yoo et al. ....	D14/138
D537,428 S *	2/2007	Fahlgren .....	D14/138
D540,770 S *	4/2007	Park et al. ....	D14/138
D541,249 S *	4/2007	Hirano .....	D14/138
2004/0110540 A1 *	6/2004	Sato et al. ....	455/566
2005/0075082 A1 *	4/2005	Iwai et al. ....	455/90.3
2006/0121961 A1 *	6/2006	Cho .....	455/575.3
2006/0223595 A1 *	10/2006	Kim .....	455/575.3

OTHER PUBLICATIONS

Sony Ericsson W710 telephone, announced May 2006, [online], [retrieved on May 9, 2007]. Retrieved from Internet, <URL: <http://www.gsmarena.com>>.\*

Sony Ericsson Z520 telephone, announced Jun. 2005, [online], [retrieved on May 16, 2007]. Retrieved from Internet, <URL: <http://www.gsmarena.com>>.\*

Sony Ericsson Z530 telephone, announced Feb. 2006, [online], [retrieved on May 16, 2007]. Retrieved from Internet, <URL: <http://www.gsmarena.com>>.\*

Sony Ericsson Z710 telephone, announced May 2006, [online], [retrieved on May 16, 2007]. Retrieved from Internet, <URL: <http://www.gsmarena.com>>.\*

Sony Ericsson Z310 telephone, announced Dec. 2006, [online], [retrieved on May 10, 2007]. Retrieved from Internet, <URL: <http://www.gsmarena.com>>.\*

Siemens CF62 telephone, announced Feb. 2004, [online], [retrieved on May 9, 2007], Retrieved from Internet, <URL: <http://www.gsmarena.com>>.\*

Motorola A668 telephone, announced 4<sup>th</sup> quarter 2004, [online], [retrieved on May 16, 2007]. Retrieved from Internet, <URL: <http://www.gsmarena.com>>.\*

\* cited by examiner

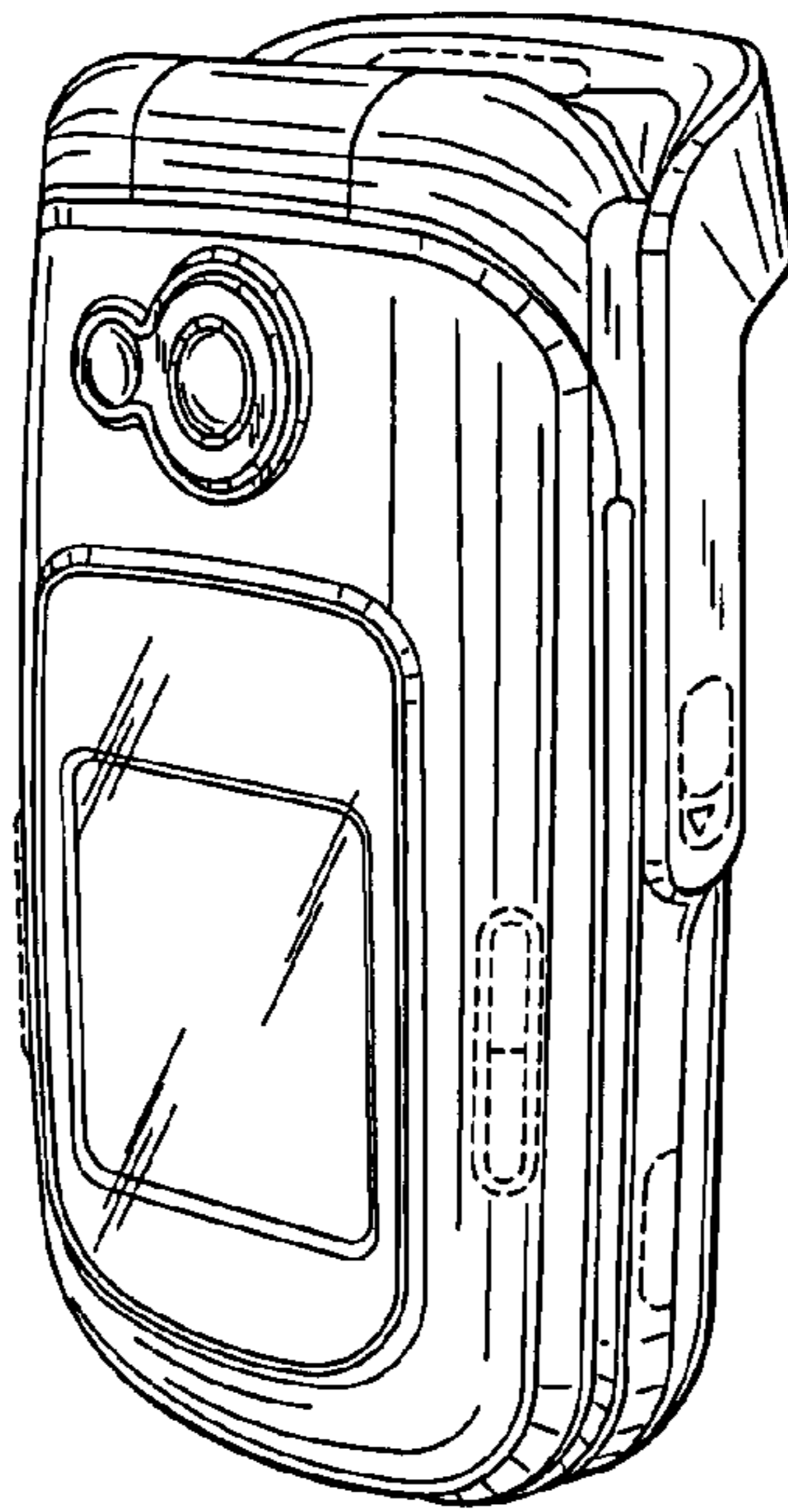


FIG. 1

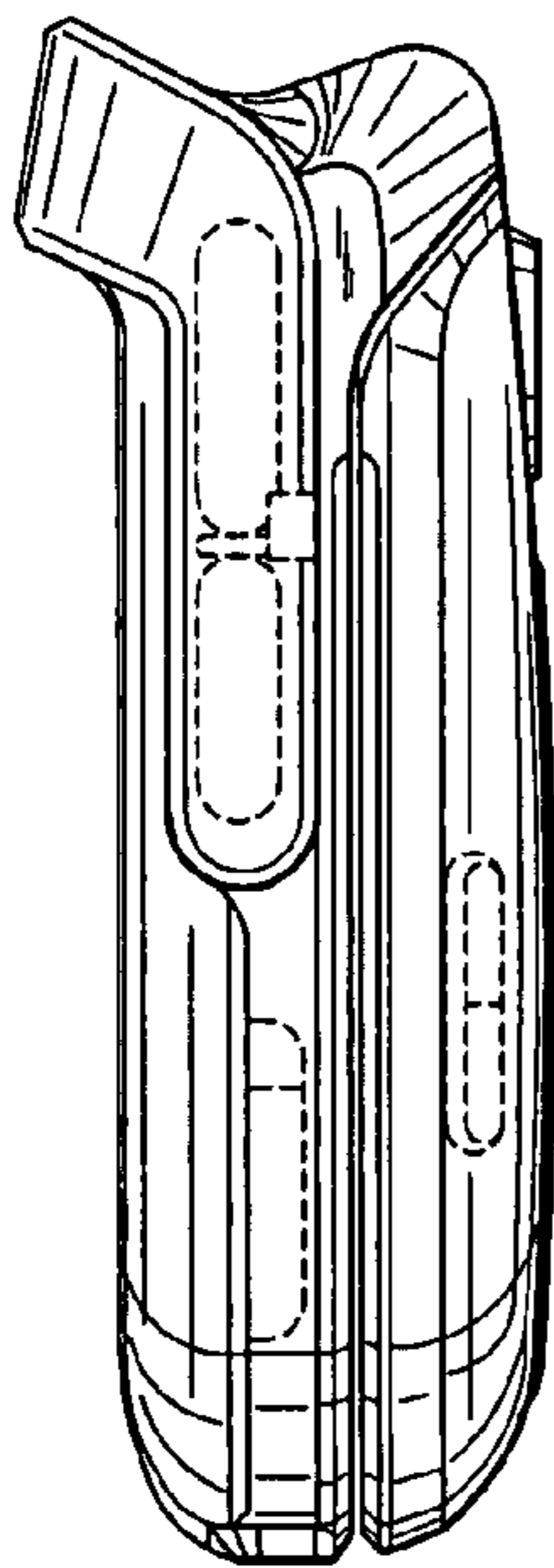


FIG. 4

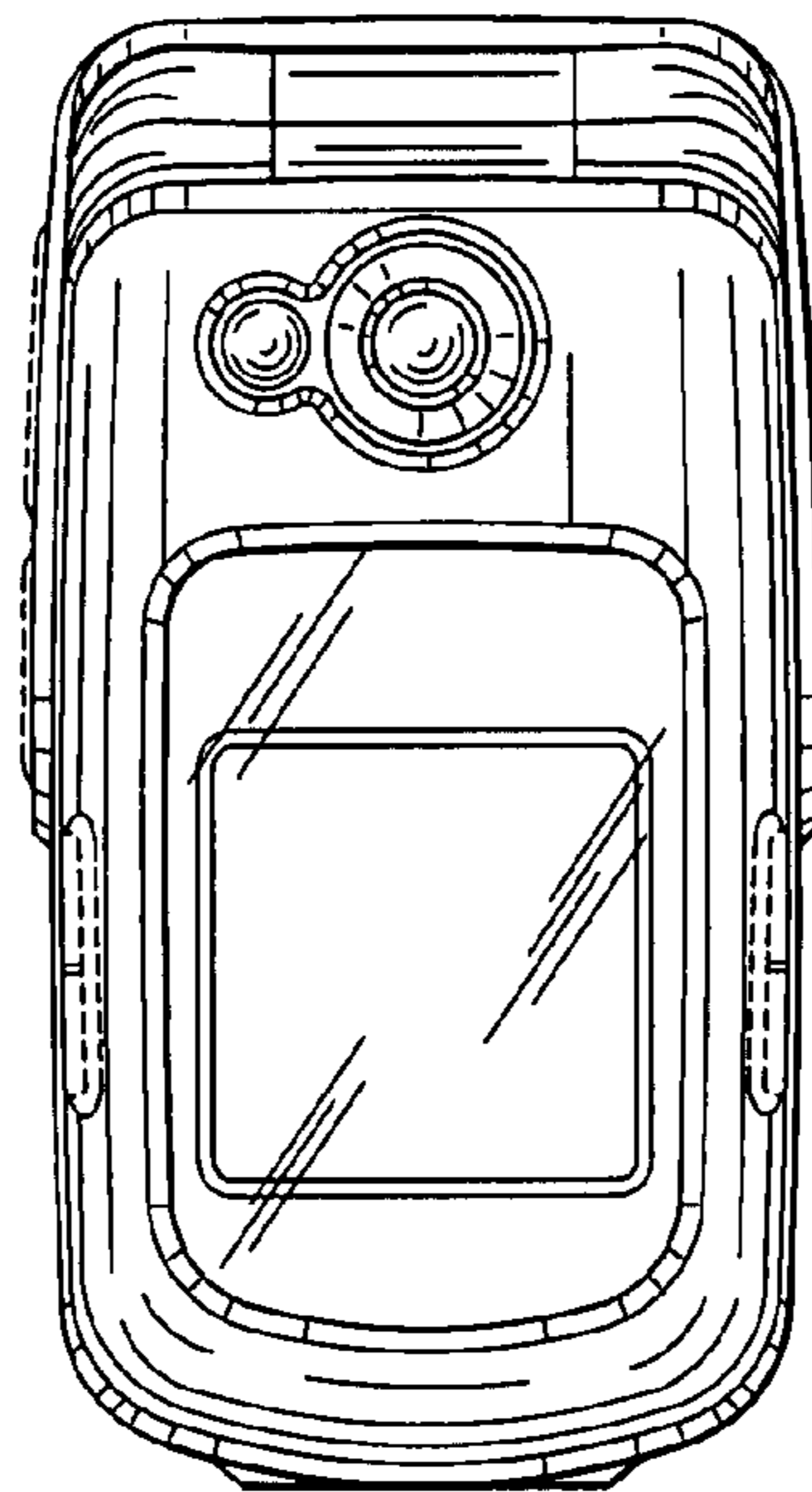


FIG. 2

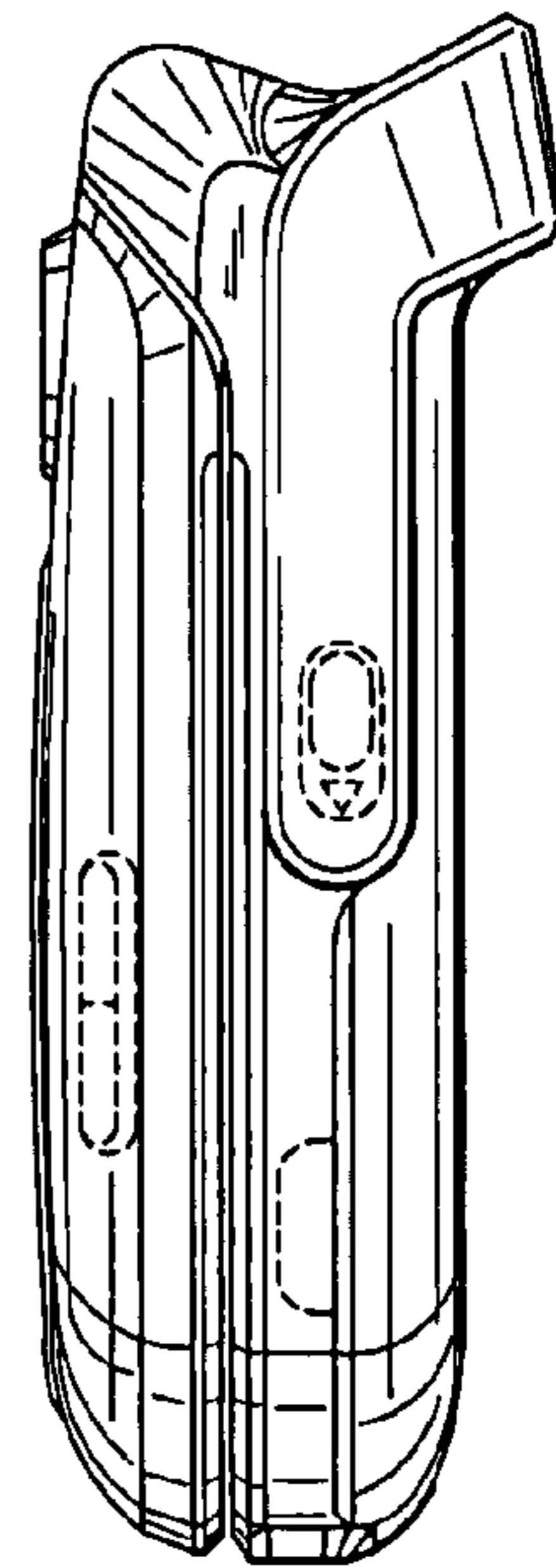


FIG. 3

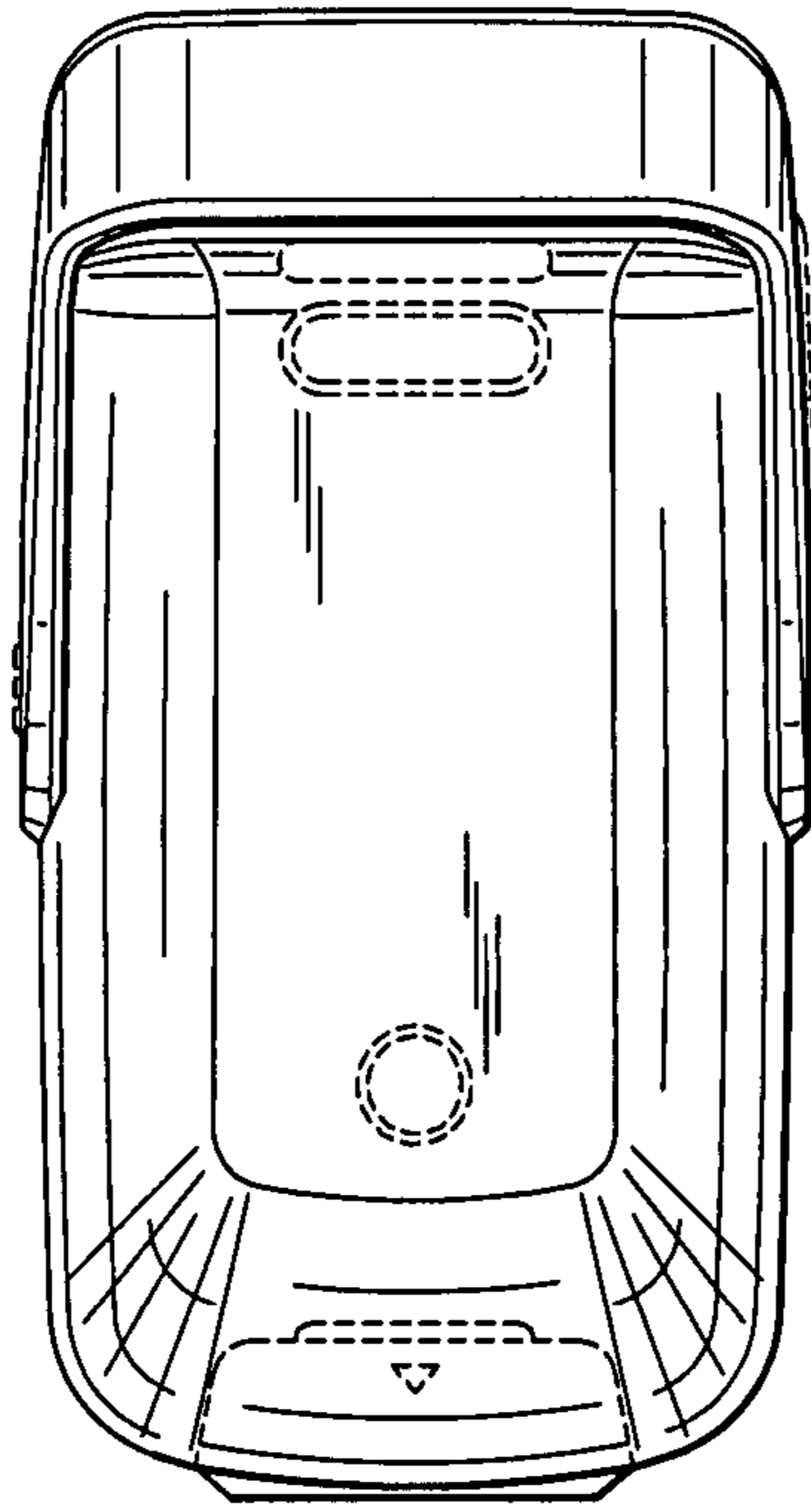


FIG. 5

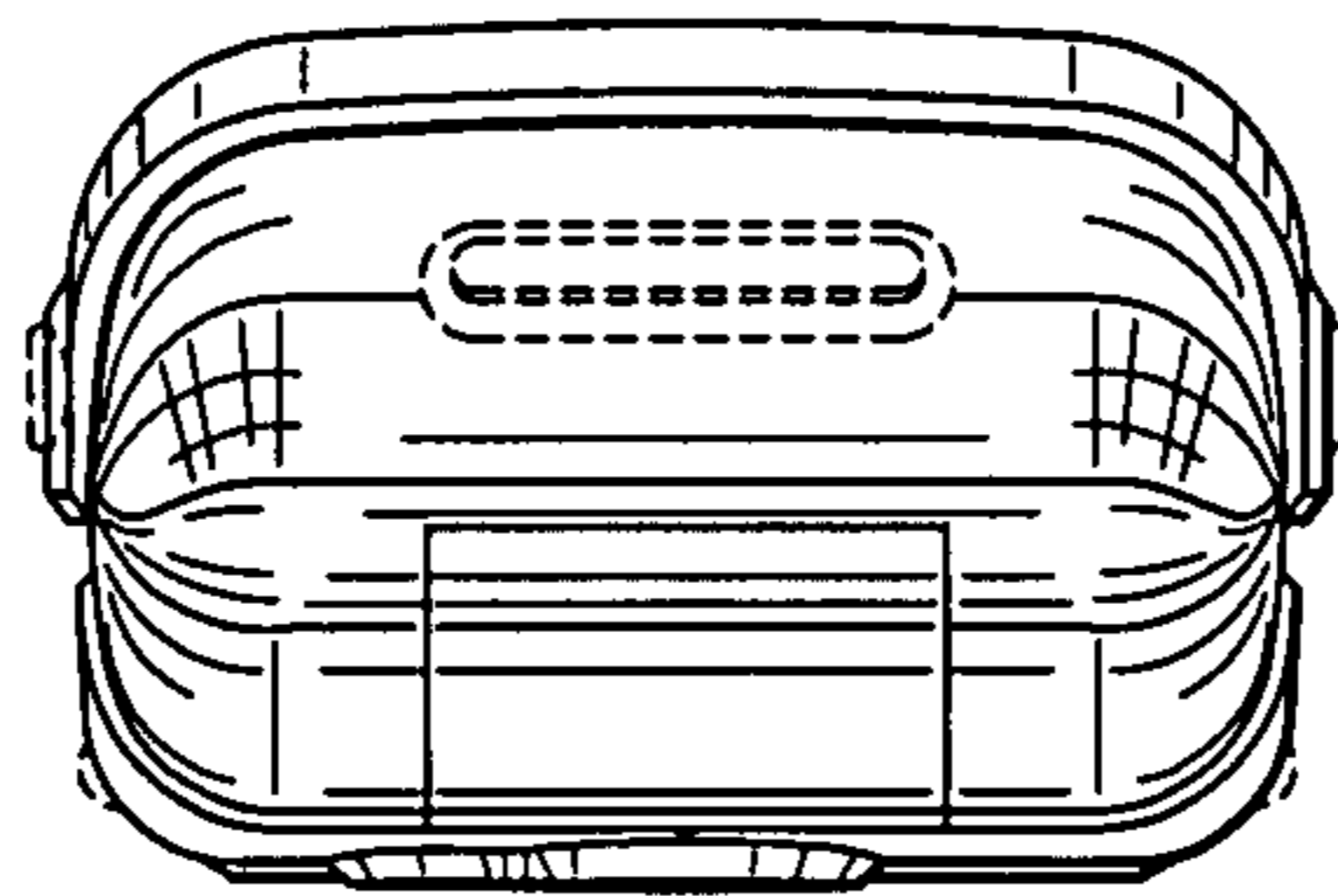


FIG. 6

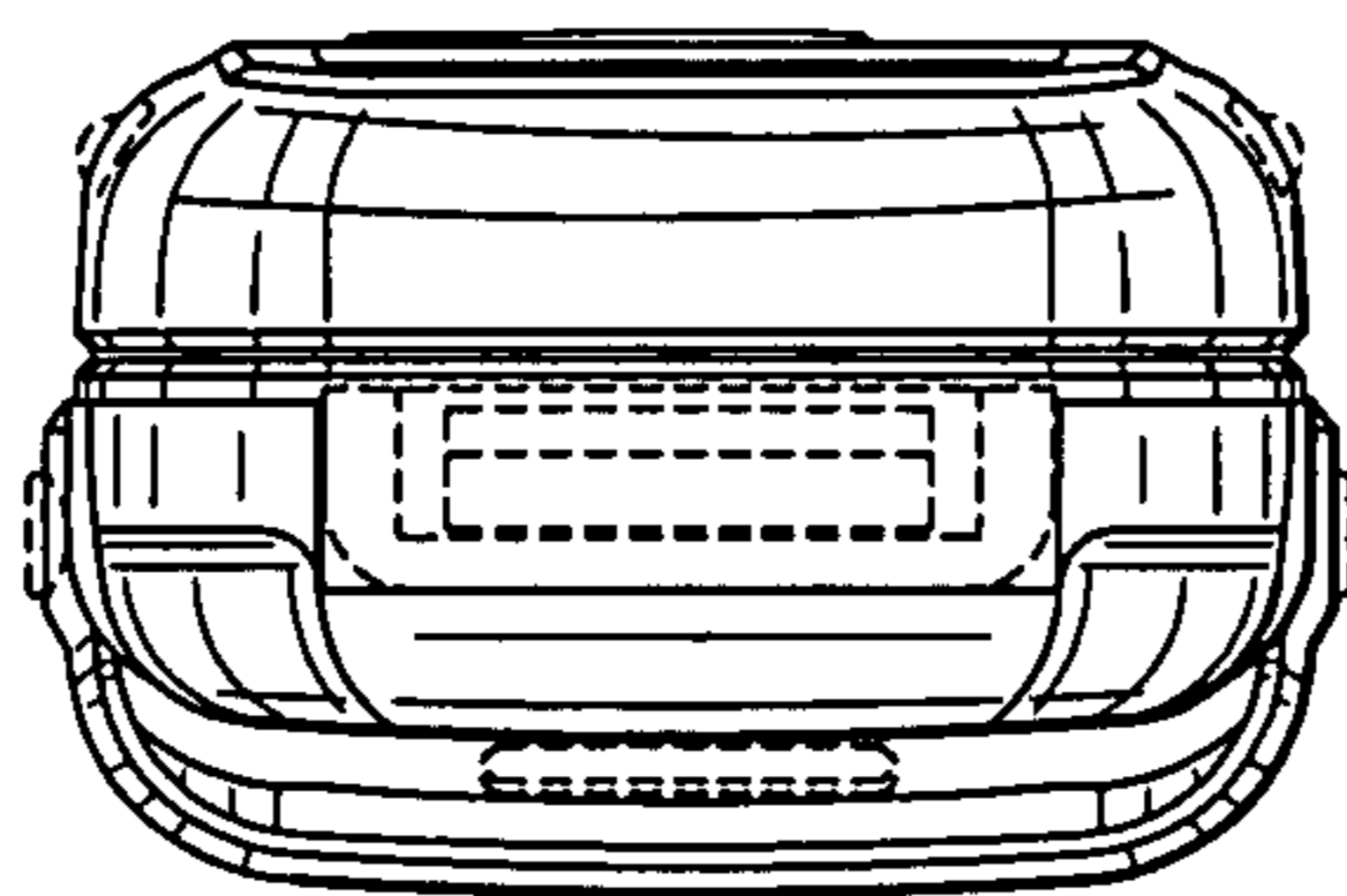


FIG. 7

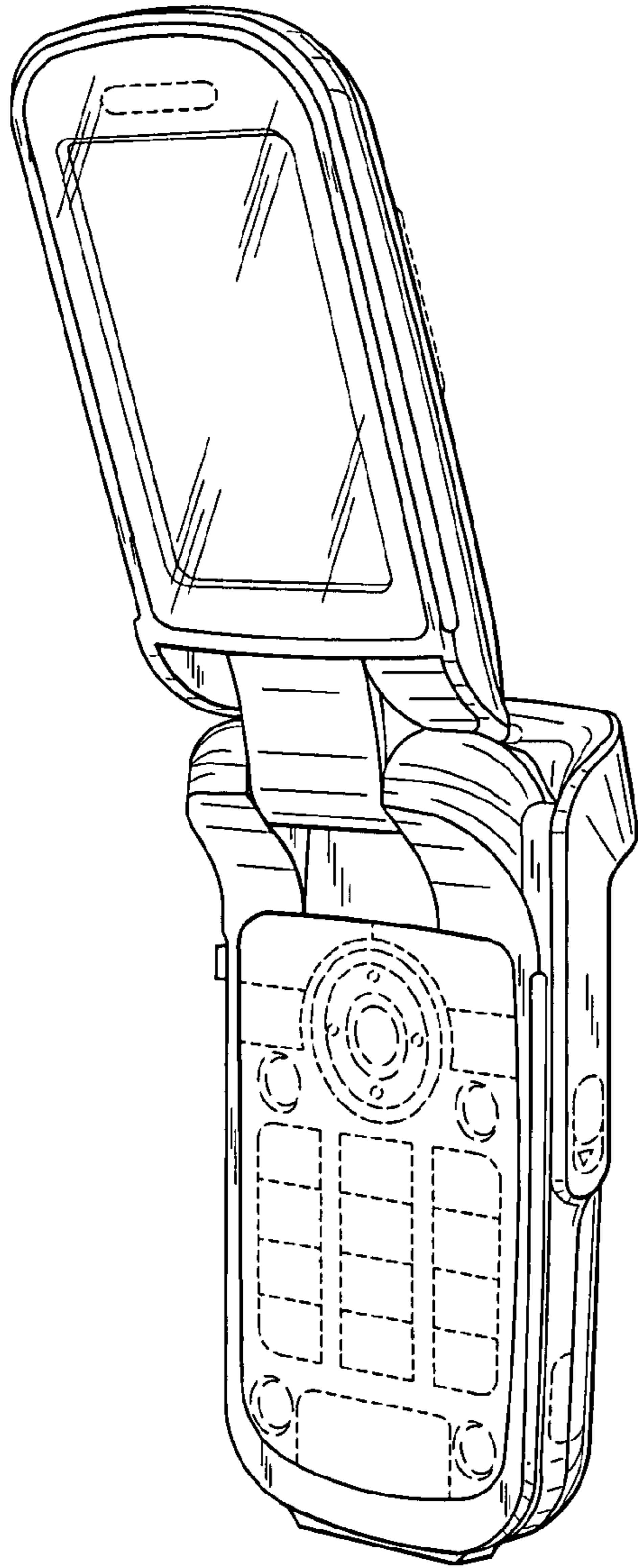


FIG. 8

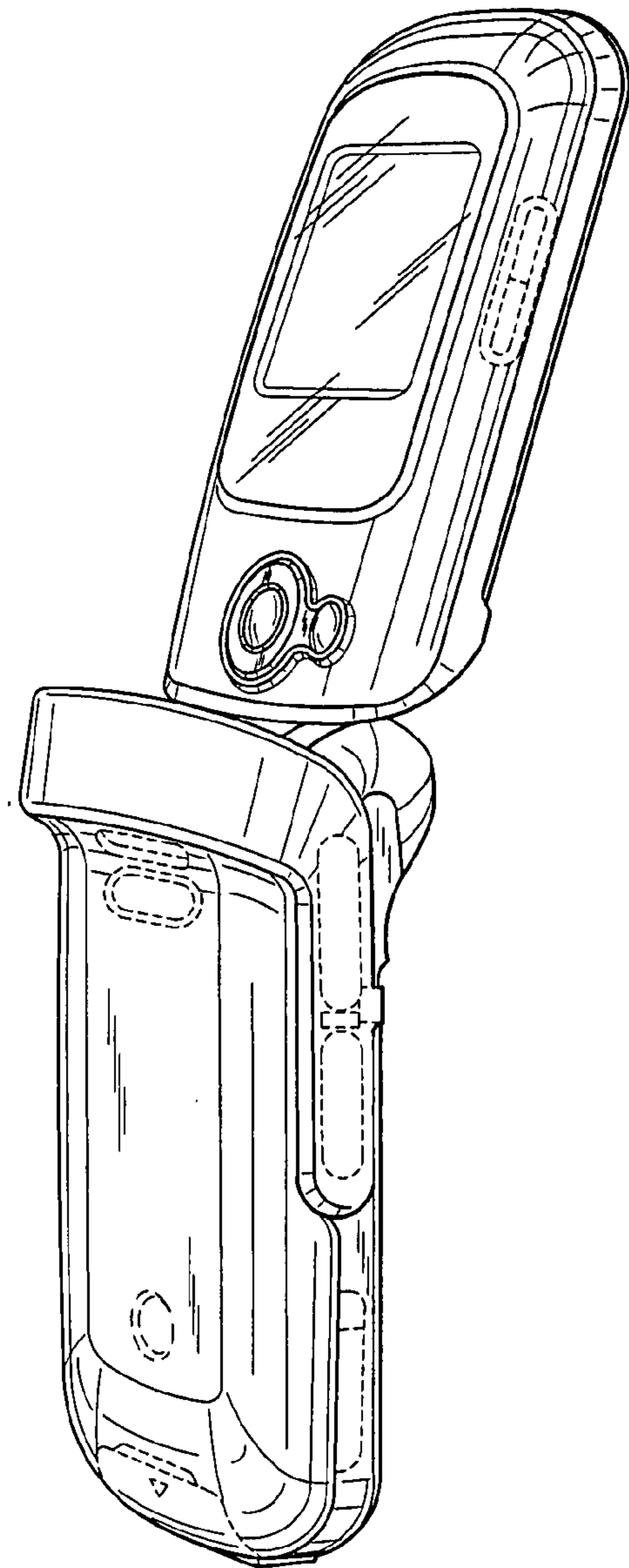


FIG. 9

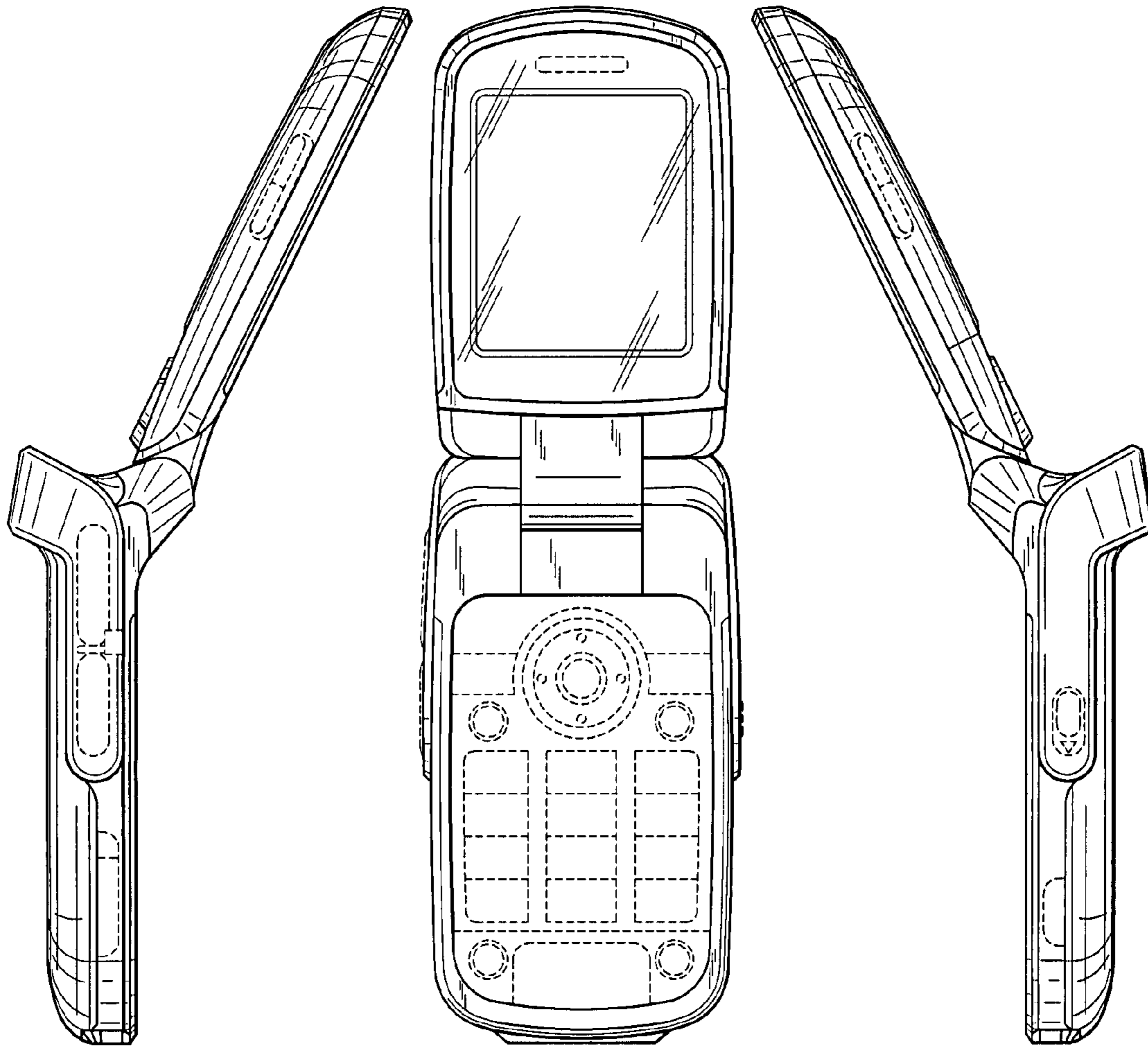


FIG. 1 2

FIG. 1 0

FIG. 1 1

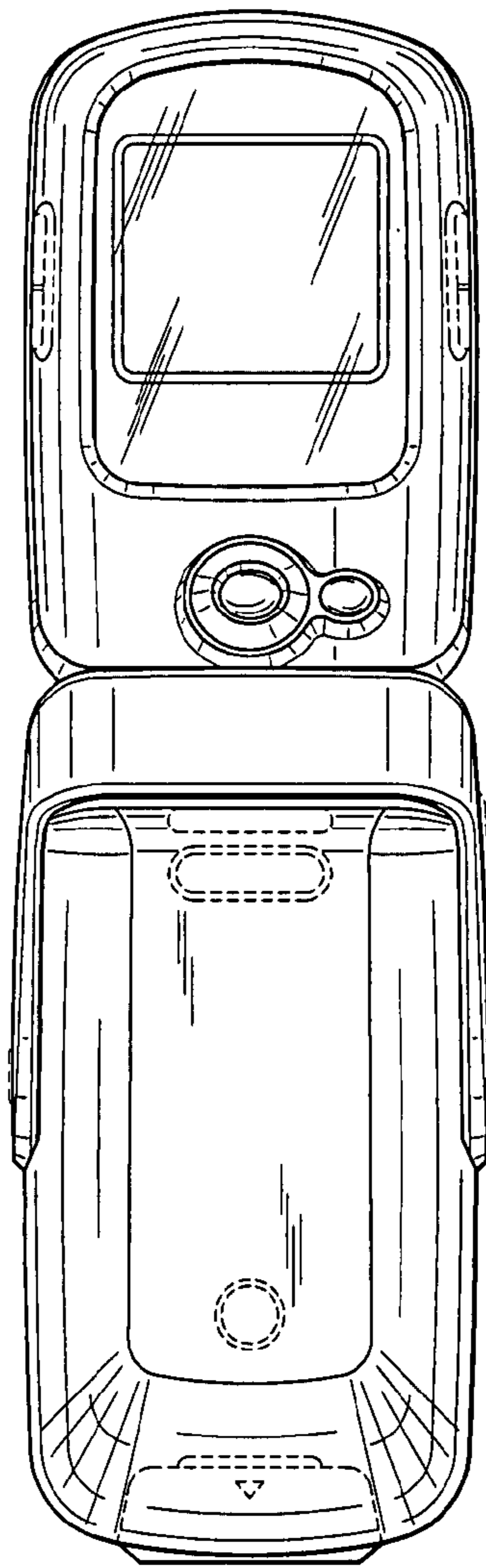


FIG. 13

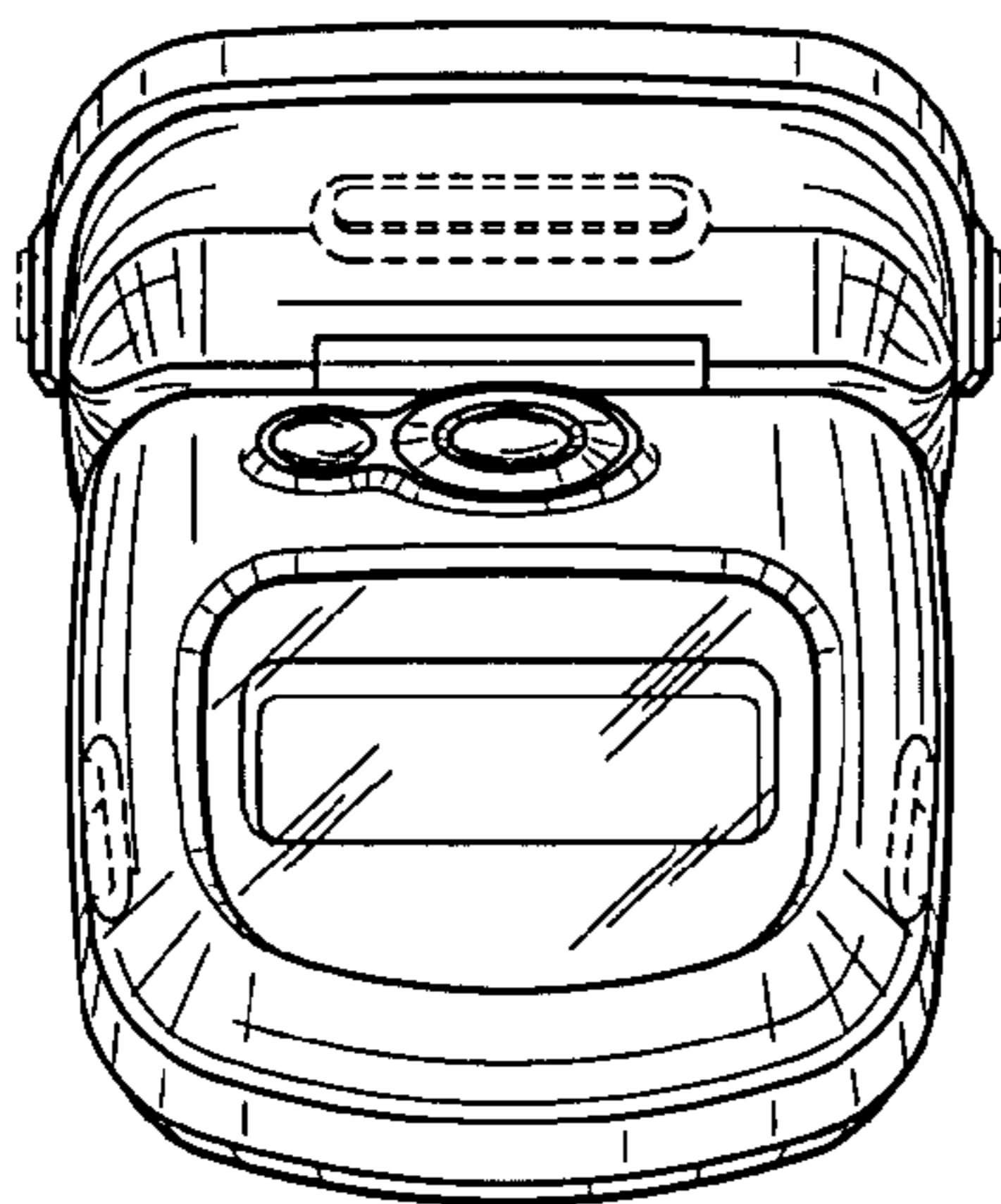


FIG. 14

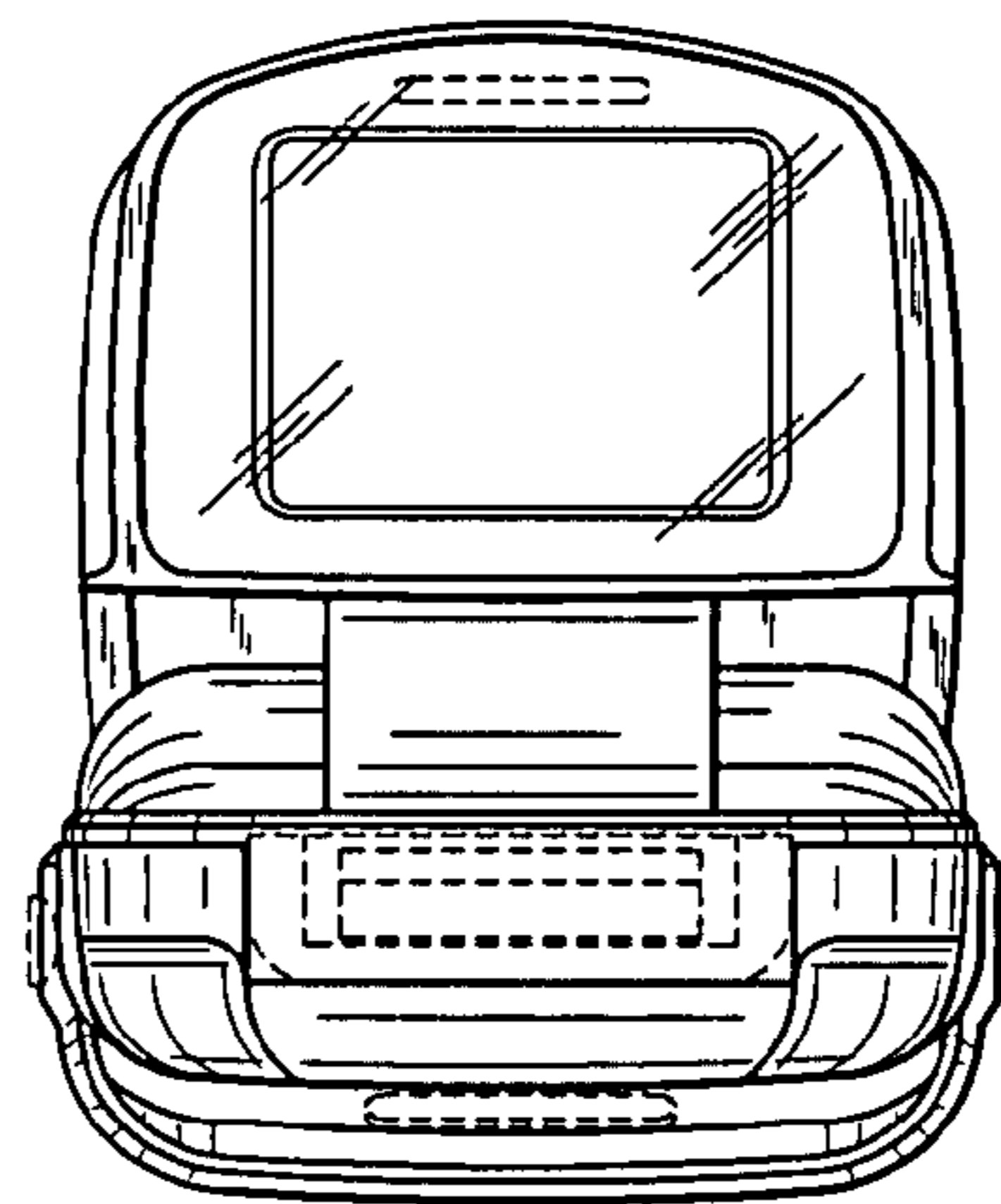


FIG. 15