



US00D553595S

(12) **United States Design Patent** (10) **Patent No.:** **US D553,595 S**
Lyles (45) **Date of Patent:** **** Oct. 23, 2007**

(54) **HANDSET**

(75) Inventor: **Justin Lyles**, San Diego, CA (US)

(73) Assignee: **Nokia Corporation**, Espoo (FI)

(**) Term: **14 Years**

(21) Appl. No.: **29/231,716**

(22) Filed: **Jun. 9, 2005**

(51) **LOC (8) Cl.** **14-03**

(52) **U.S. Cl.** **D14/138**

(58) **Field of Classification Search** D14/137,
D14/138, 147, 218, 341-347; 455/90.3,
455/556.1, 556.2, 575.1, 575.3, 575.4; 379/433.01-433.13;
361/814; 348/14.02

See application file for complete search history.

(56) **References Cited**

U.S. PATENT DOCUMENTS

6,374,123	B1 *	4/2002	Kim	455/556.1
D503,164	S *	3/2005	Park et al.	D14/138
D503,699	S *	4/2005	Lee et al.	D14/138
D509,202	S *	9/2005	Lee et al.	D14/138
D511,342	S *	11/2005	Chien	D14/346
D525,609	S *	7/2006	Kim et al.	D14/138

(Continued)

FOREIGN PATENT DOCUMENTS

FI	24080	9/2005
WO	DM/066 609	6/2005
WO	DM/067109	* 9/2005

OTHER PUBLICATIONS

Nokia 6270, announced Jun. 2005, [online], [retrieved on Feb. 5, 2007]. Retrieved from Internet ,<URL: http://www.gsmarena.com>.*

Siemens SG75, announced Sep. 2005, [online], [retrieved on Feb. 8, 2007]. Retrieved from Internet ,<URL: http://www.gsmarena.com>.*

LG KG800, announced Mar. 2006, [online], [retrieved on Feb. 8, 2007]. Retrieved from Internet ,<URL: http://www.gsmarena.com>.*

Primary Examiner—Jeffrey Asch

Assistant Examiner—Bridget L. Eland

(74) *Attorney, Agent, or Firm*—Banner & Witcoff, Ltd.

(57) **CLAIM**

The ornamental design for a handset, as shown and described.

DESCRIPTION

FIG. 1 is a bottom plan view of a handset showing my new design;

FIG. 2 is a right side view thereof;

FIG. 3 is a front view thereof;

FIG. 4 is a left side view thereof;

FIG. 5 is a top plan view thereof;

FIG. 6 is a rear view thereof;

FIG. 7 is a perspective front view thereof;

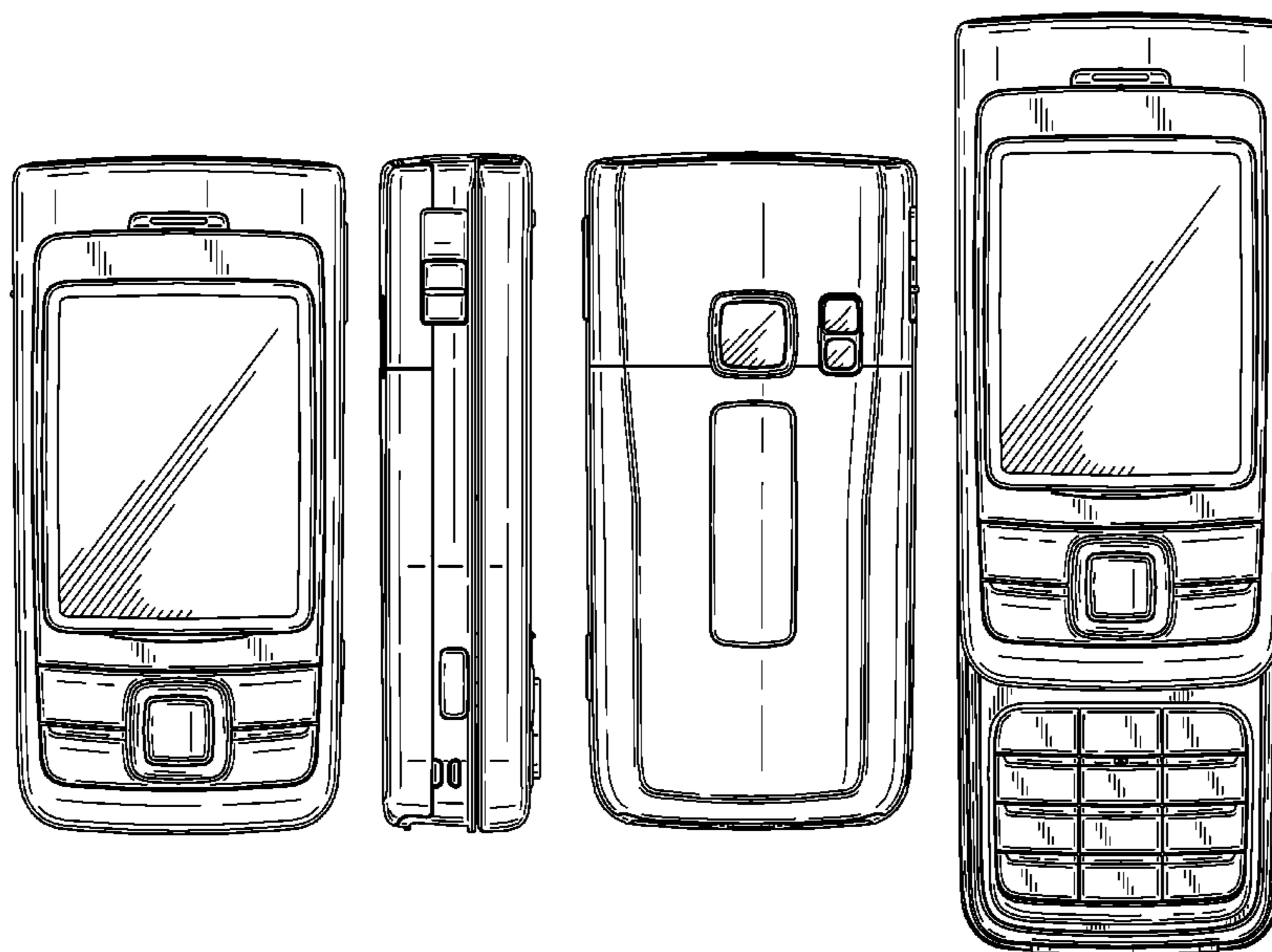
FIG. 8 is a perspective rear view thereof;

FIG. 9 is a front view of the handset of FIGS. 1-8 in an in-use position;

FIG. 10 is a perspective front view of the handset of FIGS. 1-8 in an in-use position; and,

FIG. 11 is a perspective rear view of the handset of FIGS. 1-8 in an in-use position.

1 Claim, 5 Drawing Sheets



US D553,595 S

Page 2

U.S. PATENT DOCUMENTS

D526,301 S *	8/2006	Shin	D14/138	7,142,231 B2 *	11/2006	Chipchase et al.	348/14.02
D526,989 S *	8/2006	Dimitriadis et al.	D14/138	D533,532 S *	12/2006	Kim et al.	D14/138
D527,366 S *	8/2006	Lee	D14/138	D534,892 S *	1/2007	Lee et al.	D14/138
D528,096 S *	9/2006	Park	D14/138	D535,275 S *	1/2007	Kim et al.	D14/138
D528,526 S *	9/2006	Shin	D14/138	2005/0064921 A1 *	3/2005	Jeong et al.	455/575.4
D528,532 S *	9/2006	Dimitriadis et al.	D14/138	2005/0079898 A1 *	4/2005	Park	455/575.1
D529,472 S *	10/2006	Kim et al.	D14/138	2005/0233708 A1 *	10/2005	Im et al.	455/90.3
D529,474 S *	10/2006	Park et al.	D14/138	2005/0255897 A1 *	11/2005	Lee et al.	455/575.4
D529,887 S *	10/2006	Chung et al.	D14/138	2006/0046796 A1 *	3/2006	Park et al.	455/575.4
D530,295 S *	10/2006	Chung et al.	D14/138	2007/0021160 A1 *	1/2007	Li	455/575.4

* cited by examiner

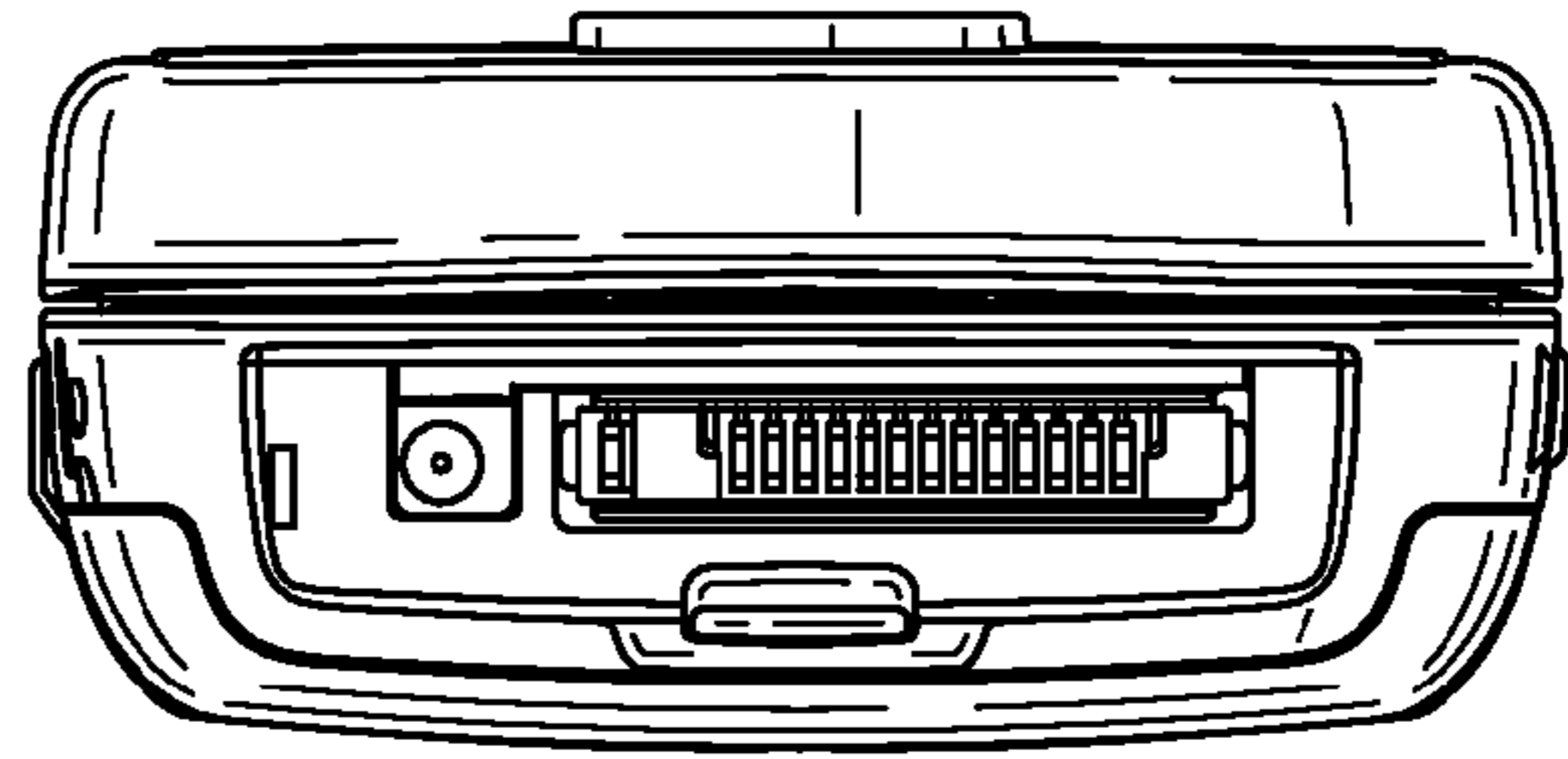


FIG. 1

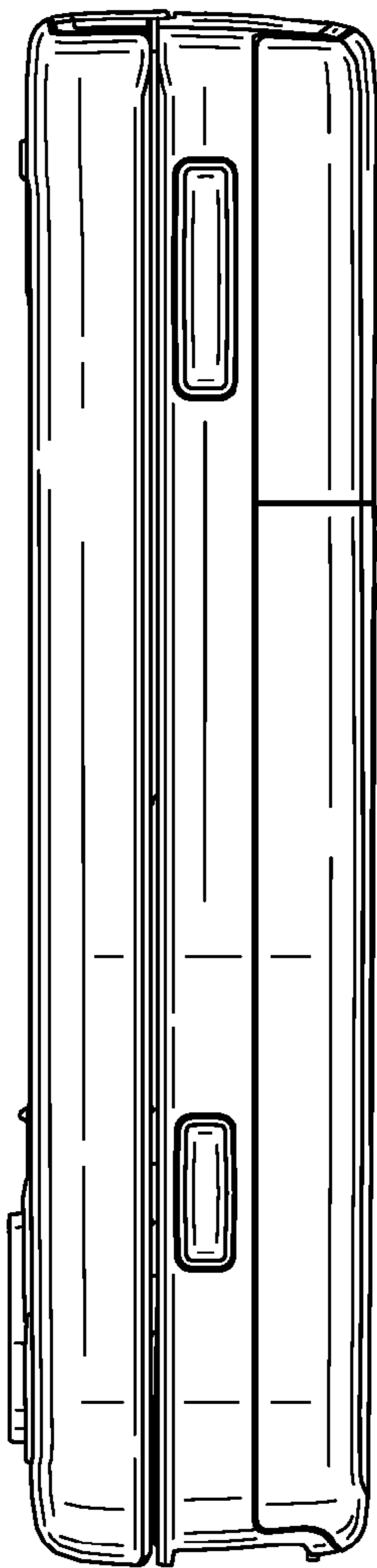


FIG. 2

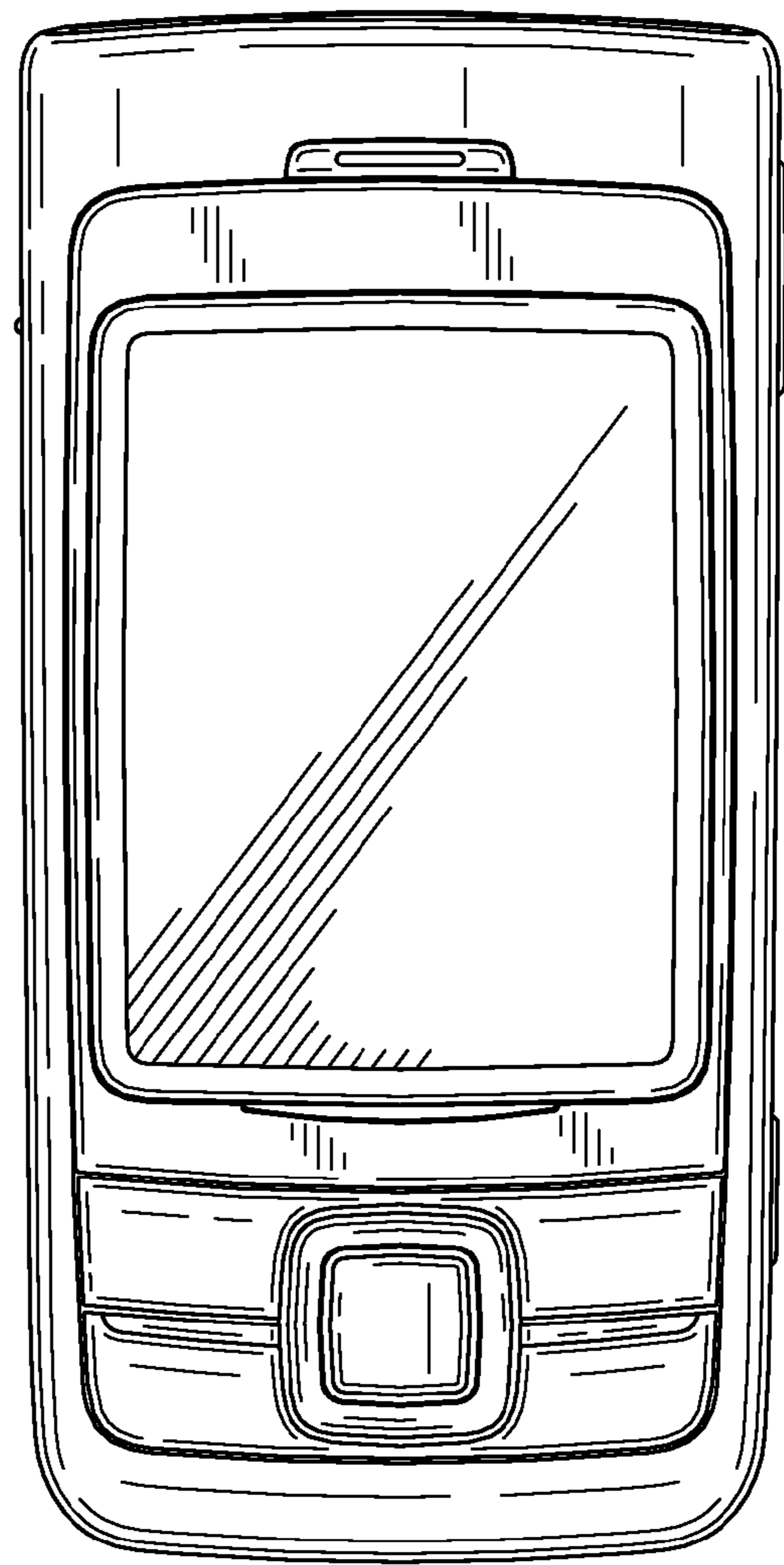


FIG. 3

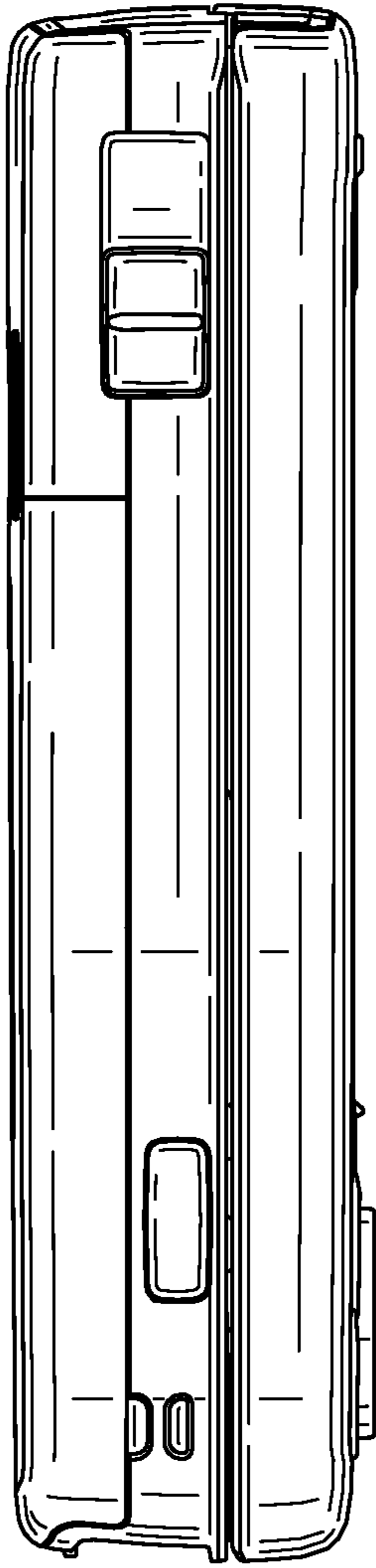


FIG. 4

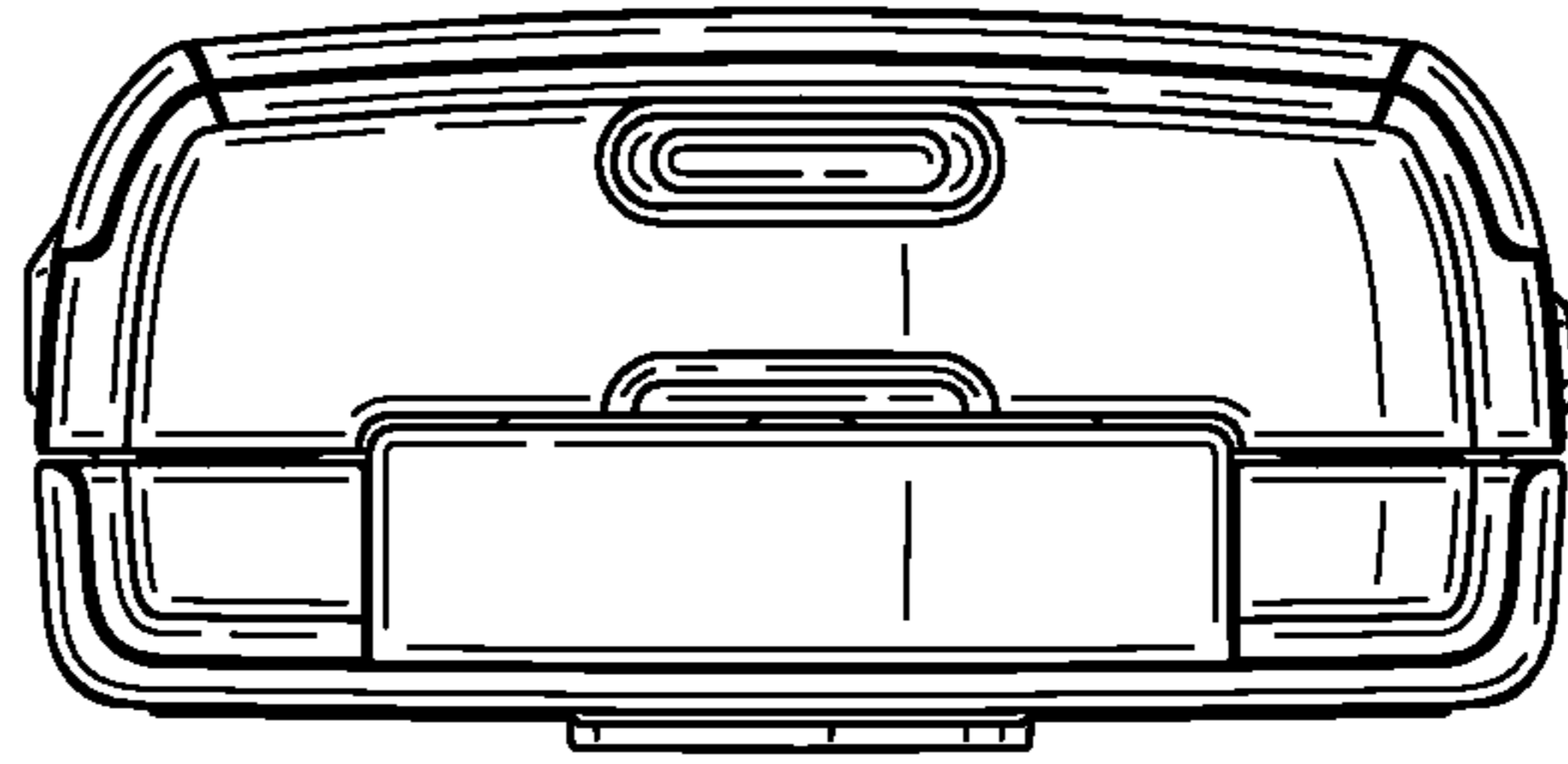


FIG. 5

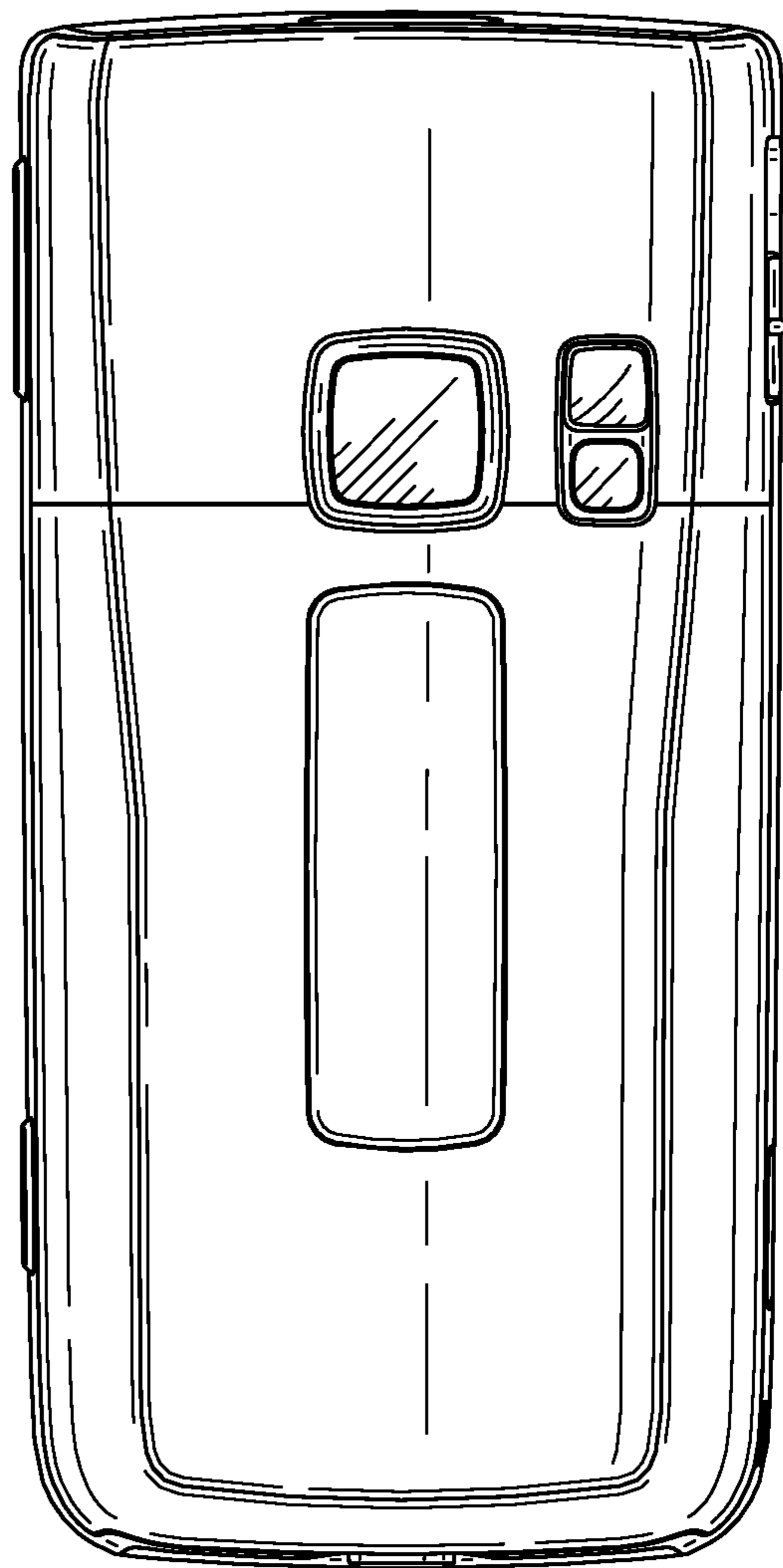


FIG. 6

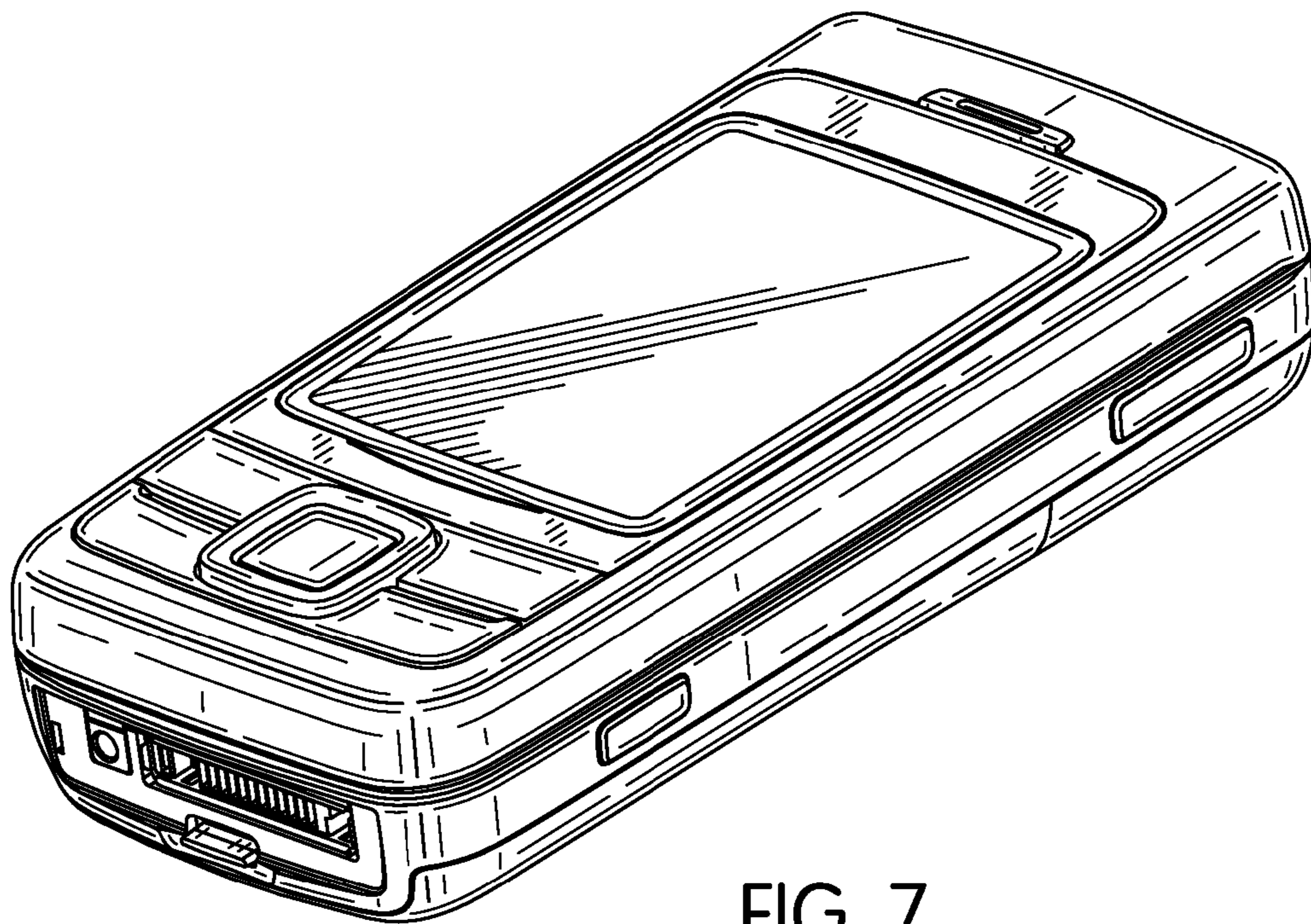


FIG. 7

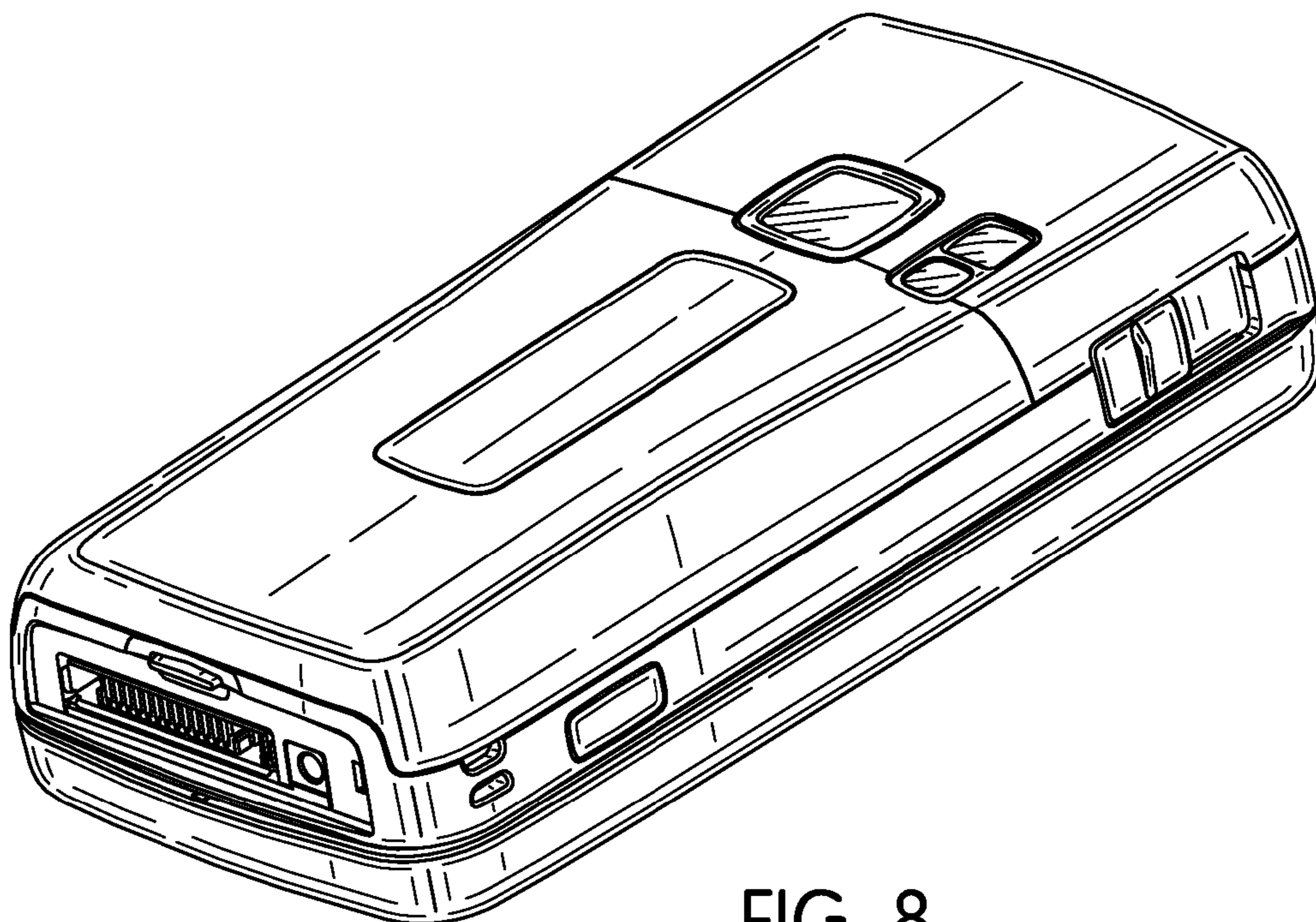


FIG. 8

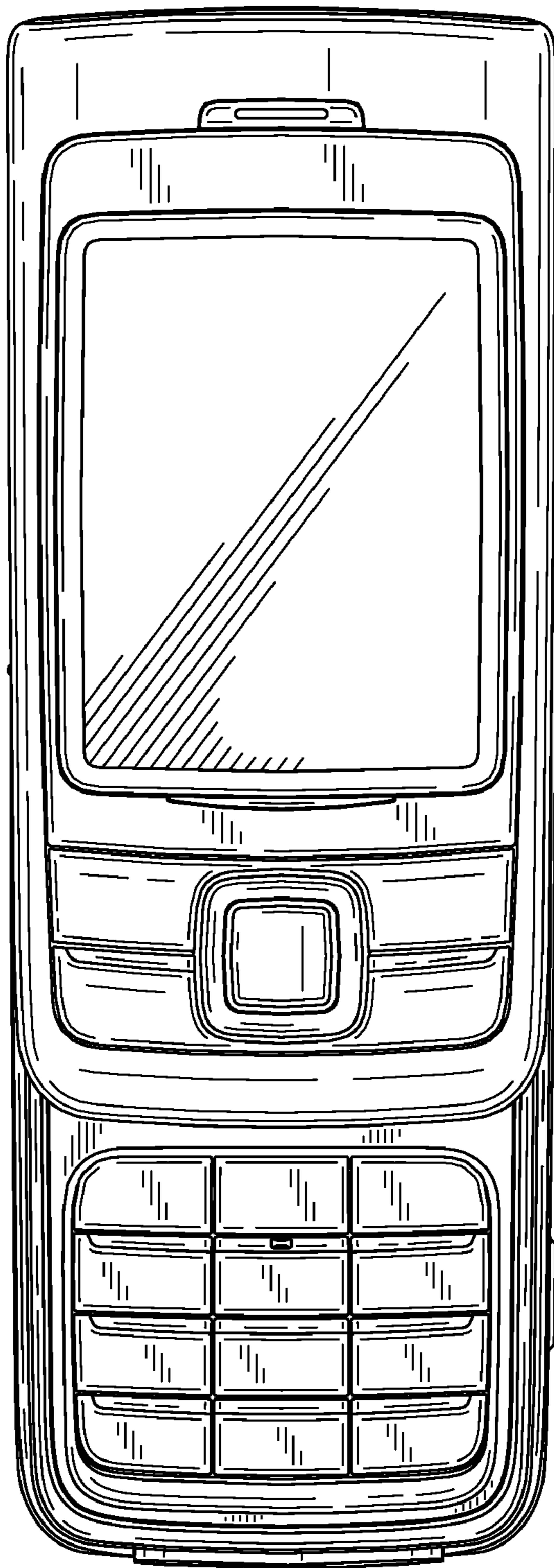


FIG. 9

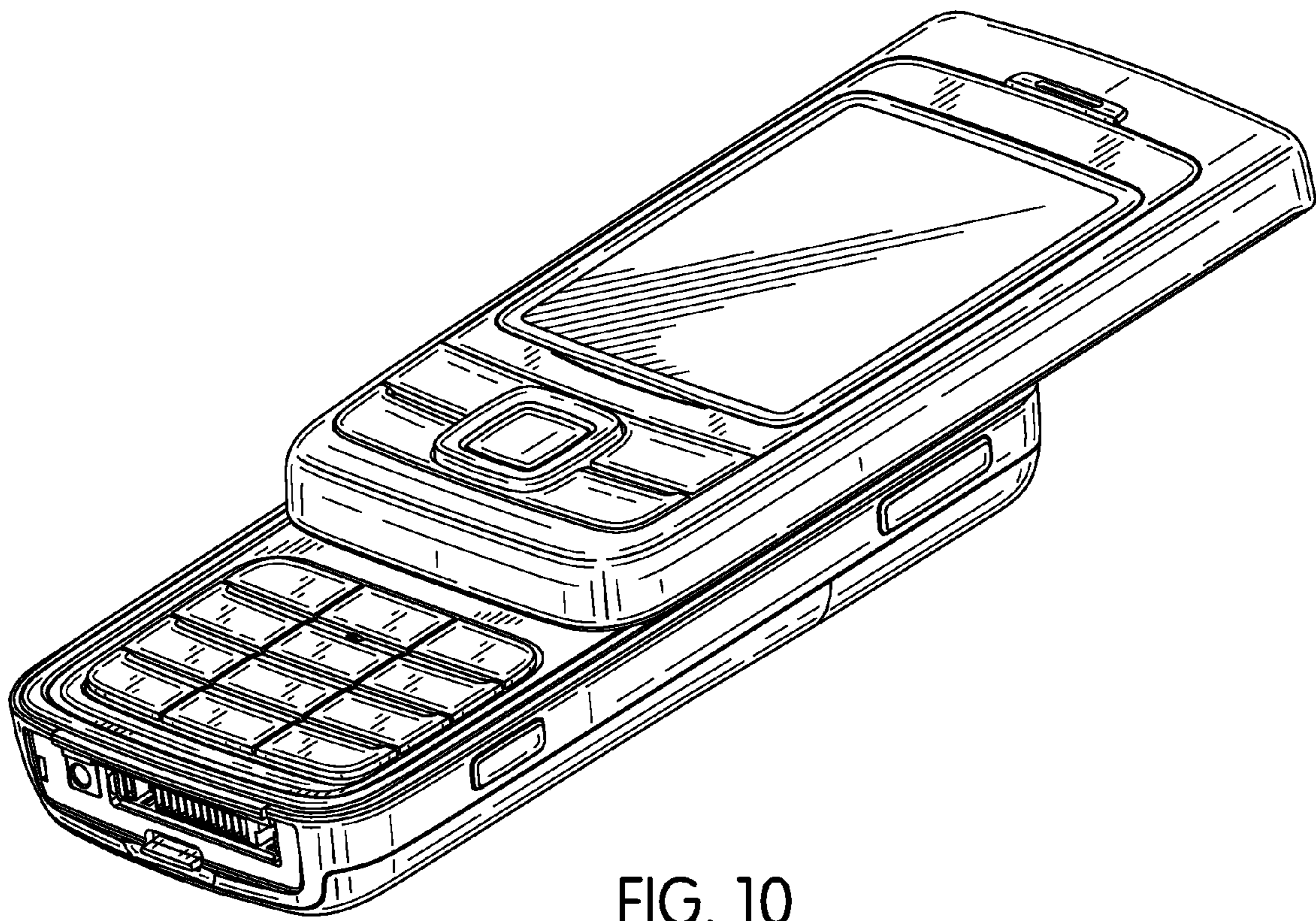


FIG. 10

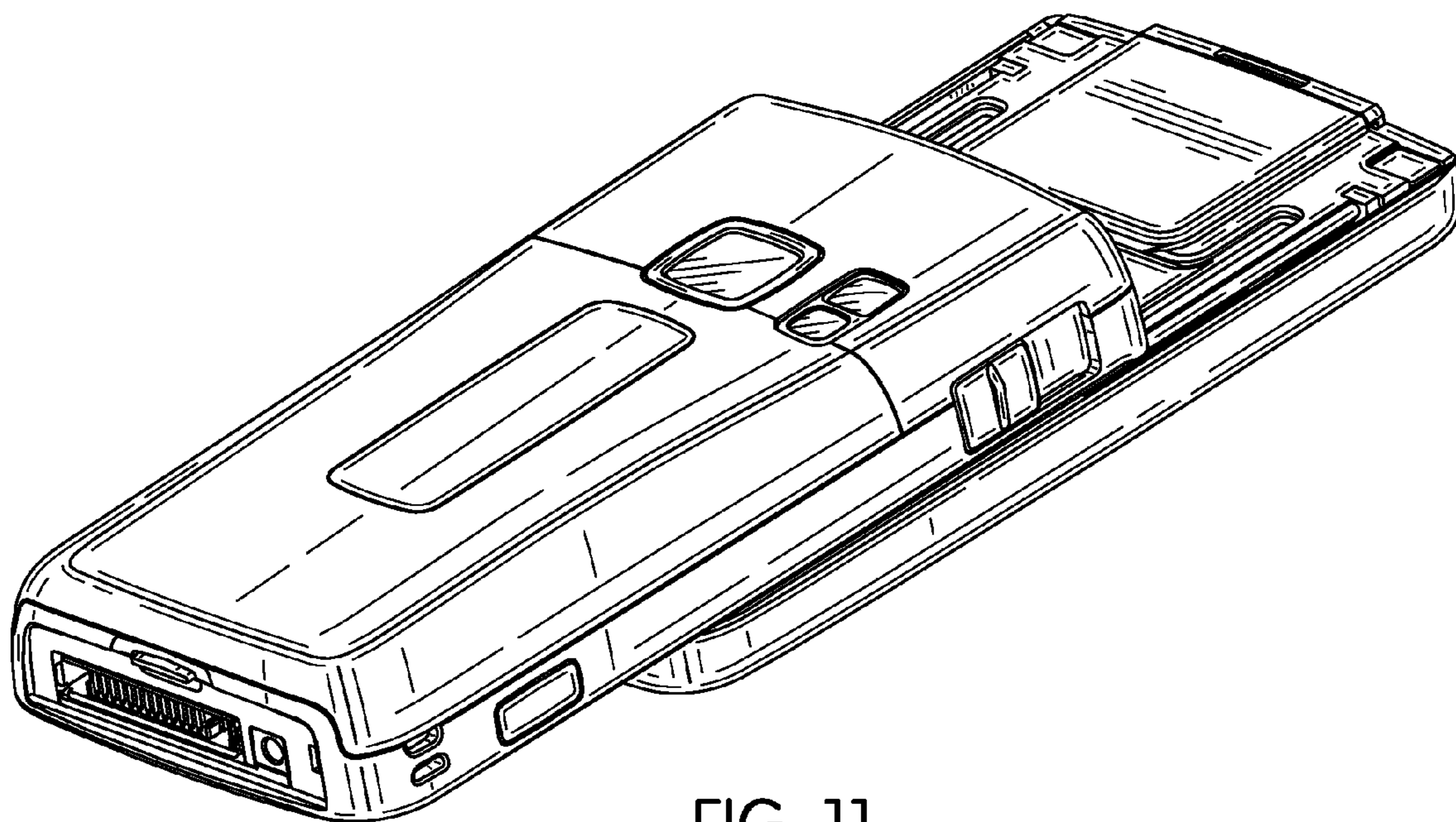


FIG. 11